



US00D978292S

(12) **United States Design Patent**
Hsu et al.

(10) **Patent No.:** **US D978,292 S**
(45) **Date of Patent:** **** Feb. 14, 2023**

- (54) **FAUCET**
- (71) Applicant: **Spectrum Brands, Inc.**, Middleton, WI (US)
- (72) Inventors: **Wei Hsu**, Lake Forest, CA (US); **David Downey**, Mission Viejo, CA (US); **Cameron Potter**, Fullerton, CA (US)
- (73) Assignee: **Spectrum Brands, Inc.**, Middleton, WI (US)
- (**) Term: **15 Years**
- (21) Appl. No.: **29/732,370**
- (22) Filed: **Apr. 23, 2020**
- (51) **LOC (14) Cl.** **23-01**
- (52) **U.S. Cl.**
USPC **D23/238**
- (58) **Field of Classification Search**
USPC D23/238, 239, 240, 241, 242, 243, 246, 247, 248, 249, 250, 251, 252, 253, 254, 255, 256, 257
CPC . E03C 1/01; E03C 1/0409; E03C 1/04; E03C 1/0401; E03C 1/025; E03C 1/0408; E03C 1/0402; E03C 1/0405; E03C 1/0412; Y10T 137/5339; Y10T 137/6014; Y10T 137/6021
See application file for complete search history.

- D466,979 S 12/2002 Shulz
- D472,308 S 3/2003 Hundley
- D479,309 S 9/2003 Haug et al.
- D487,586 S 3/2004 Haug et al.
- D510,126 S 9/2005 Ouyoung
- D513,526 S 1/2006 Marshall
- (Continued)

FOREIGN PATENT DOCUMENTS

- CN 3372578 6/2004
- CN 3376237 6/2004
- (Continued)

OTHER PUBLICATIONS

Amazon, Jassgerry square kitchen sink mixer tap, posted Jul. 13, 2020, [online], [visited Mar. 7, 2022]. Internet, <URL: <https://www.amazon.co.uk/JASSFERRY-Square-Modern-Kitchen-Geometric/dp/B08CVQV7YH/ref>> (Year: 2020).*

(Continued)

Primary Examiner — Samantha Wood
(74) *Attorney, Agent, or Firm* — Merchant & Gould P.C.

(57) **CLAIM**

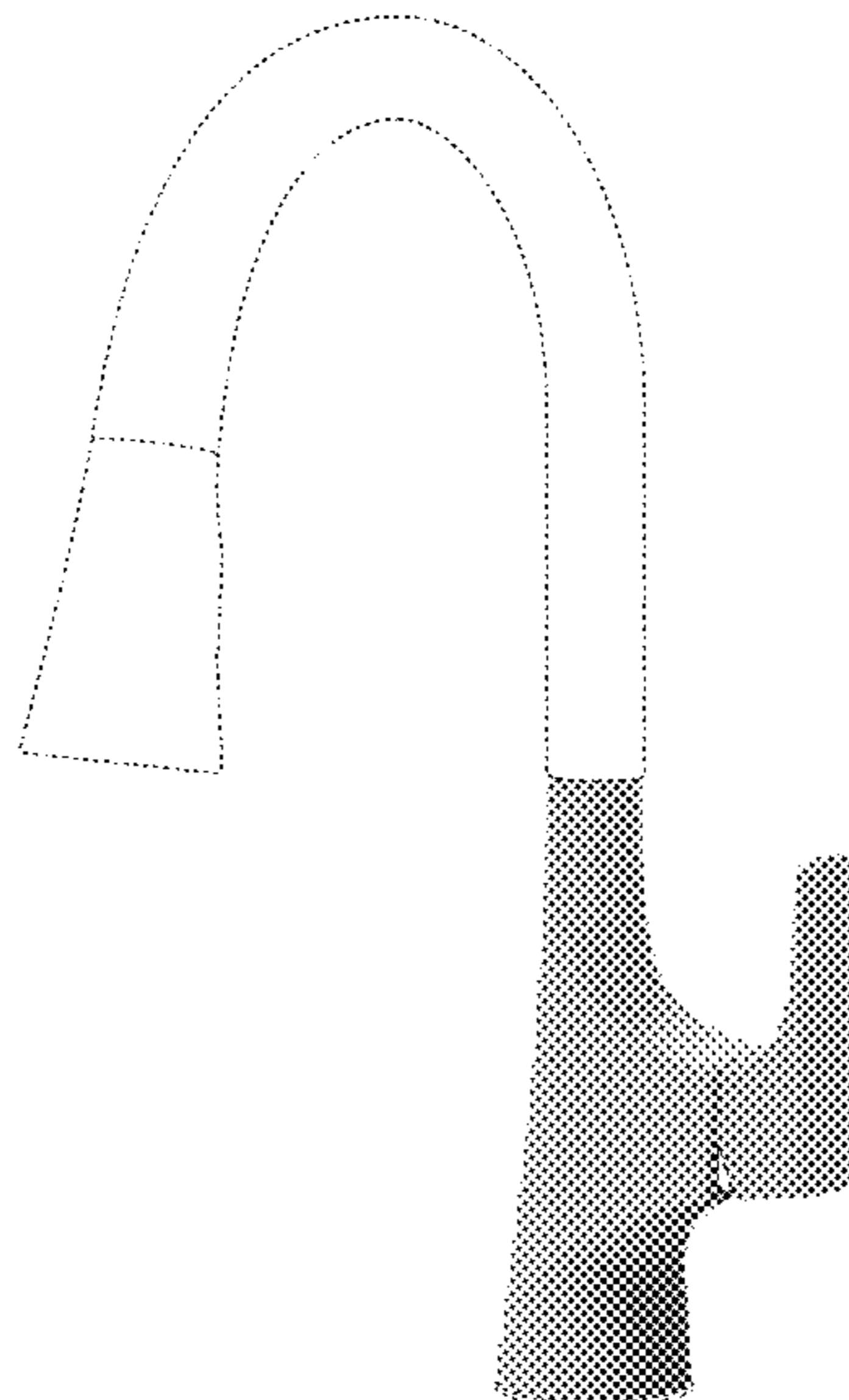
The ornamental design for a faucet, as shown and described.

DESCRIPTION

FIG. 1 is a front perspective view of a faucet showing our new design;
FIG. 2 is a front view thereof;
FIG. 3 is a rear view thereof;
FIG. 4 is a right side view thereof;
FIG. 5 is a left side view thereof;
FIG. 6 is a top view thereof; and,
FIG. 7 is a bottom view thereof.
The broken lines depicting the spout, the bottom of the faucet, and the bore on the bottom of the handle, form no part of the claimed design.

1 Claim, 6 Drawing Sheets

- (56) **References Cited**
U.S. PATENT DOCUMENTS
- D254,801 S 4/1980 Santi
- D322,658 S 12/1991 Kohler, Jr. et al.
- D322,841 S 12/1991 Kohler, Jr. et al.
- D406,323 S 3/1999 Snyder
- D440,633 S 4/2001 Fleischmann
- D443,337 S 6/2001 Mark et al.
- D461,540 S 8/2002 Gottwald
- D462,421 S 9/2002 Hundley



(56)

References Cited

U.S. PATENT DOCUMENTS

D519,190 S 4/2006 Lord
 D521,109 S 5/2006 Lord
 D526,389 S 8/2006 Lammel et al.
 D531,698 S 11/2006 Wood et al.
 D531,702 S 11/2006 Haug et al.
 D534,622 S 1/2007 Chu et al.
 D538,402 S 3/2007 Lammel et al.
 D564,634 S 3/2008 Kirar
 D566,242 S 4/2008 Kohler, Jr. et al.
 D567,908 S 4/2008 Semchuck et al.
 D570,960 S 6/2008 Semchuck et al.
 D581,025 S 11/2008 Schoenherr et al.
 D605,258 S 12/2009 Rubin et al.
 D607,544 S 1/2010 Roy
 D612,015 S 3/2010 Lammel et al.
 D615,628 S 5/2010 Allard
 D617,424 S 6/2010 Hanna
 D624,989 S 10/2010 Sieger
 D626,198 S 10/2010 Lammel et al.
 D629,873 S 12/2010 Roy
 D635,221 S 3/2011 Rubin et al.
 D645,940 S 9/2011 Ando et al.
 D652,899 S 1/2012 Citterio
 D662,183 S 6/2012 Sieger
 D662,185 S 6/2012 Sieger
 D664,244 S 7/2012 Flowers et al.
 D665,052 S 8/2012 Wang
 D677,366 S 3/2013 Chen
 D685,878 S 7/2013 Fritz
 D693,906 S 11/2013 Zhang et al.
 D697,588 S 1/2014 Schoenherr et al.
 D703,790 S 4/2014 Mazz et al.
 D715,406 S 10/2014 Bomatter et al.
 D723,665 S 3/2015 Kulig
 D726,880 S 4/2015 Kington et al.
 D734,433 S 7/2015 Sieger
 D735,297 S 7/2015 Sieger
 D735,299 S 7/2015 Sieger
 D737,937 S 9/2015 Flowers et al.
 D741,453 S 10/2015 Bahler
 D756,487 S 5/2016 Fritz
 D759,206 S 6/2016 Moerman
 D762,285 S 7/2016 Jepson et al.
 D764,631 S 8/2016 Schoenherr et al.
 D786,405 S 5/2017 Schaubach
 D787,020 S 5/2017 Ziemann et al.
 RE46,484 E 7/2017 Hanna
 D797,240 S 9/2017 Potter
 D797,241 S 9/2017 Potter
 D797,249 S 9/2017 Downey
 D800,876 S 10/2017 Chen
 D803,987 S 11/2017 Ruzza
 D803,988 S 11/2017 Niu et al.
 D808,500 S * 1/2018 Wang D23/238
 D809,103 S 1/2018 Schoenherr et al.
 D809,107 S 1/2018 Schoenherr et al.
 D810,236 S 2/2018 Schoenherr et al.
 D810,889 S 2/2018 Bahler
 D815,249 S * 4/2018 Kuang D23/238
 D822,170 S 7/2018 Haug et al.
 D823,435 S 7/2018 He
 D825,720 S 8/2018 Zeng
 D828,500 S 9/2018 Schoenherr et al.
 D828,503 S 9/2018 Schoenherr et al.
 D828,508 S 9/2018 Fritz
 D828,510 S 9/2018 Zeisel et al.
 D835,236 S 12/2018 Ziemann et al.
 D835,237 S 12/2018 Ziemann et al.
 D837,945 S 1/2019 Soulier et al.
 D839,392 S 1/2019 Cummings et al.
 D845,439 S 4/2019 Zhang
 D846,077 S 4/2019 Liu
 D846,709 S 4/2019 Chen
 D847,950 S 5/2019 Zhang
 D847,951 S 5/2019 Zhang

D848,578 S * 5/2019 Garland D23/255
 D849,201 S 5/2019 Zhang
 D849,202 S 5/2019 Zhang
 D849,203 S 5/2019 Zhang
 D852,325 S 6/2019 Eads
 D853,527 S 7/2019 Eads
 D855,154 S 7/2019 Williams et al.
 D856,485 S 8/2019 Gessi
 D860,392 S 9/2019 Garland
 D860,395 S 9/2019 Seum et al.
 D860,396 S 9/2019 Seum et al.
 D860,398 S 9/2019 Chen
 D862,651 S 10/2019 Zeng
 D863,507 S 10/2019 Zhang
 D863,511 S 10/2019 Meyers et al.
 D867,532 S 11/2019 Liao
 D867,536 S 11/2019 Soulier et al.
 D868,211 S 11/2019 Garland
 D868,212 S 11/2019 Diefenbach et al.
 D868,938 S 12/2019 Tentler
 D868,939 S 12/2019 Bahler
 D869,610 S 12/2019 Garland
 D870,851 S 12/2019 Tentler
 D870,852 S 12/2019 Eads
 D870,853 S 12/2019 Garland
 D871,545 S 12/2019 Wang
 D871,546 S 12/2019 Bahler
 D871,547 S 12/2019 Eads
 D871,548 S 12/2019 Tentler
 D871,549 S 12/2019 Eads
 D871,557 S 12/2019 Judge
 D872,234 S 1/2020 Stoler
 D872,235 S 1/2020 Garland
 D872,238 S 1/2020 Meyers et al.
 D873,379 S 1/2020 Fritz
 D873,380 S 1/2020 Judge
 D873,960 S 1/2020 Fritz
 D895,066 S * 9/2020 Johnson D23/238
 D895,067 S * 9/2020 Johnson D23/238
 D895,068 S * 9/2020 Johnson D23/238
 D896,348 S * 9/2020 Zhang D23/238
 D921,159 S * 6/2021 Yang D23/238
 D923,149 S * 6/2021 Johnson D23/238
 2018/0080203 A1 * 3/2018 Frye E03C 1/04
 2020/0157787 A1 * 5/2020 Benstead E03C 1/0402

FOREIGN PATENT DOCUMENTS

CN 300751103 2/2008
 CN 300865383 12/2008
 CN 300913245 4/2009
 CN 301344217 9/2010
 CN 301433748 1/2011
 CN 301433771 1/2011
 CN 301465793 2/2011
 CN 301539295 5/2011
 CN 301539296 5/2011
 CN 301840819 2/2012
 CN 301868060 3/2012
 CN 301873053 3/2012
 CN 302021896 8/2012
 CN 302112347 10/2012
 CN 302203652 11/2012
 CN 302203654 11/2012
 CN 302203657 11/2012
 CN 302269797 1/2013
 CN 302280679 1/2013
 CN 302327392 2/2013
 CN 302384446 4/2013
 CN 302424485 5/2013
 CN 302511624 7/2013
 CN 302519385 7/2013
 CN 302527702 8/2013
 CN 302589600 9/2013
 CN 302632190 11/2013
 CN 302662743 11/2013
 CN 302662836 11/2013
 CN 302782233 4/2014
 CN 302830604 5/2014

(56)

References Cited

FOREIGN PATENT DOCUMENTS

WO	D203404-002	8/2019
WO	D203404-003	8/2019
WO	D203404-004	8/2019

OTHER PUBLICATIONS

Amazon, GEOATON Sensor kitchen tap, posted Mar. 5, 2020, [online], [visited Mar. 7, 2022]. Internet, <URL: <https://www.amazon.co.uk/GEOATON-touchless-Kitchen-Automatic-Pull-Down/dp/B085HG8XN8Q/ref>> (Year: 2020).*

“Tyne Pull-Down Kitchen Sink Faucet (Kohler)”, BIMobject; date accessed Feb. 3, 2020; disclosure date unknown but prior to the filing date of present application; URL: <<https://www.bimobject.com/en-us/kohler/product/kohler-k-r21415>>.

“Speakman Neo Single-Handle Pull-Down Sprayer Kitchen Faucet in Stainless Steel”, Home Depot; date accessed Feb. 3, 2020; disclosure date unknown but prior to the filing date of present application; URL: <<https://www.homedepot.com/p/Speakman-Neo-Single-Handle-Pull-Down-Sprayer-Kitchen-Faucet-in-Stainless-Steel-SB-1042-SS/312197551>>.

“Pfister Pfirst Series Pull-Down Kitchen Faucet G529-PF1C Polished Chrome”, Overstock.com; date accessed Feb. 3, 2020; disclosure date unknown but prior to the filing date of present application; URL: <<https://www.overstock.com/Pfister-Pfirst-Series-Pull-Down-Kitchen-Faucet-G529/k/results.html?SearchType=Header>>.

“Pfister F-529-PDSL Pasadena Single-Handle Pull-Down Sprayer Kitchen Faucet with Soap Dispenser in Slate”, Amazon; date accessed Feb. 3, 2020; disclosure date unknown but prior to the filing date of present application; URL: <<https://www.amazon.com/Pfister-F-529-PDSL-Single-Handle-Pull-Down-Dispenser/>>.

“Moen Sip Modern Lever Drinking Fountain Faucet in Spot Resist Stainless”, Home Depot; date accessed Feb. 3, 2020; disclosure date unknown but prior to the filing date of present application; URL: <<https://www.homedepot.com/p/MOEN-Sip-Modern-Lever-Drinking-Fountain-Faucet-in-Spot-Resist-Stainless-S5530SRS/205181183>>.

“Moen Essie Single-Handle Pull-Down Sprayer Kitchen Faucet with Reflex and Power Clean in Spot Resist Stainless”, Home Depot; date accessed Feb. 3, 2020; disclosure date unknown but prior to the filing date of present application; URL: <<https://www.homedepot.com/p/MOEN-Essie-Single-Handle-Pull-Down-Sprayer-Kitchen-Faucet-with-Reflex-and-Power-Clean-in-Spot-Resist-Stainless-87014SRS/206069195>>.

“Kraus Oletto Single-Handle Kitchen Bar Faucet in Spot-Free Stainless Steel”, Home Depot; date accessed Feb. 3, 2020; disclosure date unknown but prior to the filing date of present application; URL: <<https://www.homedepot.com/p/KRAUS-Oletto-Single-Handle-Kitchen-Bar-Faucet-in-Spot-Free-Stainless-Steel-KPF-2600SFS/305657290>>.

“Kohler K-7507-CP Purist Primary Swing Spout Kitchen Faucet Without Spray, Polished Chrome”, Amazon; date accessed Feb. 3, 2020; disclosure date unknown but prior to the filing date of present application; URL: <<https://www.amazon.com/K-7507-CP-Primary-Kitchen-Without-Polished/dp/B003ZUTLJS>>.

“Kohler K-7505-CP Purist Kitchen Sink Faucet, One Size, Polished Chrome”, Amazon; date accessed Feb. 3, 2020; disclosure date unknown but prior to the filing date of present application; URL: <https://www.amazon.com/dp/B003WXJOK4/ref=psdc_6810579011_t2_B003ZUTLJS>.

“Kingston Brass KS8198CTL”, Build.com; date accessed Feb. 3, 2020; disclosure date unknown but prior to the filing date of present application; URL: <<https://www.build.com/kingston-brass-ks819-ctl/s579753?uid=1509748>>.

“Home Depot Shower Faucets Home Depot Bathroom Shower Faucets Bathroom Shower Faucets . . .”, Jovagema; date accessed

Feb. 3, 2020; disclosure date unknown but prior to the filing date of present application; URL: <<http://jovagema.com/interior/>>.

“Elegant Cheap Kitchen Faucets With Sprayer”, Klocker.me; date accessed Feb. 3, 2020; disclosure date unknown but prior to the filing date of present application; URL: <http://klocker.me/awesome_2-storey-house>.

“Delta Trinsic Single-Handle Pull-Down Sprayer Kitchen Faucet with MagnaTite Docking in Chrome”; Home Depot; date accessed Feb. 3, 2020; disclosure date unknown but prior to the filing date of present application; URL: <<https://www.homedepot.com/p/Delta-Trinsic-Single-Handle-Pull-Down-Sprayer-Kitchen-Faucet-with-MagnaTite-Docking-in-Chrome-9159-DST/203002550>>.

“Delta Mandolin 4 in. Centerset Single-Handle Bathroom Faucet in SpotShield Brushed Nickel”; Home Depot; date accessed Feb. 3, 2020; disclosure date unknown but prior to the filing date of present application; URL: <<https://www.homedepot.com/p/Delta-Mandolin-4-in-Centerset-Single-Handle-Bathroom-Faucet-in-SpotShield-Brushed-Nickel-15630LF-SP/206593647>>.

“Delta Faucet Trinsic Single-Handle Touch Kitchen Sink Faucet with Pull Down Sprayer, Touch2O Technology and Magnetic Docking Spray Head, Arctic Stainless 9159T-AR-DST”; Amazon; date accessed Feb. 3, 2020; disclosure date unknown but prior to the filing date of present application; URL: <<https://www.amazon.com/Single-Handle-Technology-Stainless-9159T-AR-DST-Refurbished/dp/B07K2134QD/>>.

“Delta Essa Touch2O Technology Single-Handle Pull-Down Sprayer Kitchen Faucet with MagnaTite Docking in Arctic Stainless”; Home Depot; date accessed Feb. 3, 2020; disclosure date unknown but prior to the filing date of present application; URL: <<https://www.homedepot.com/p/Delta-Essa-Touch2O-Technology-Single-Handle-Pull-Down-Sprayer-Kitchen-Faucet-with-MagnaTite-Docking-in-Arctic-Stainless-9113T-AR-DST/206323132>>.

“Cosmo Single-Handle Pull-Down Sprayer Kitchen Faucet with Ceramic Disc Cartridge in Chrome”; Home Depot; date accessed Feb. 3, 2020; disclosure date unknown but prior to the filing date of present application; URL: <<https://www.homedepot.com/p/Cosmo-Single-Handle-Pull-Down-Sprayer-Kitchen-Faucet-with-Ceramic-Disc-Cartridge-in-Chrome-COS-KF501C/300646418>>.

“American Standard—T064900.295—Serin DMTF, Less Shower”; Southern Plumbing & Heating Supply Corp.; date accessed Feb. 3, 2020; disclosure date unknown but prior to the filing date of present application; URL: <<https://www.southernplbgsupply.com/Chesapeake-Gloucester-Portsmouth-Yorktown/American-Standard-2064801-295-Brushed-Nickel-Widespread-Bathroom-Sink-Faucet.HTM>>.

“American Standard Montvale Single-Handle Pull-Down Sprayer Kitchen Faucet with Soap Dispenser in Stainless Steel”; Home Depot; date accessed Feb. 3, 2020; disclosure date unknown but prior to the filing date of present application; URL: <<https://www.homedepot.com/p/American-Standard-Montvale-Single-Handle-Pull-Down-Sprayer-Kitchen-Faucet-with-Soap-Dispenser-in-Stainless-Steel-9379315-075/305025729>>.

“American Standard Kerris Chrome 1-Handle Deck Mount Pull-down Commercial/Residential Kitchen Faucet”; Lowe’s; date accessed Feb. 3, 2020; disclosure date unknown but prior to the filing date of present application; URL: <<https://www.lowes.com/pd/American-Standard-Colony-Chrome-1-Handle-Deck-Mount-Pull-Down-Handle-Lever-Residential-Kitchen-Faucet/999943778>>.

“American Standard Gooseneck, Kitchen Sink Faucet, Lever Faucet Handle Type, 1.50 gpm, Stainless Steel”; Grainger; date accessed Feb. 3, 2020; disclosure date unknown but prior to the filing date of present application; URL: <<https://www.grainger.com/product/AMERICAN-STANDARD-Gooseneck-Kitchen-Faucet-448N29>>.

“American Standard Copley One-Handle Pull-Down Stainless Kitchen Faucet”; Menards; date accessed Feb. 3, 2020; disclosure date unknown but prior to the filing date of present application; URL: <<https://www.menards.com/main/kitchen/kitchen-faucets/american-standard-copley-one-handle-pull-down-stainless-kitchen-faucet/7032300-075/p-1536301682830-c-8509.htm>>.

* cited by examiner

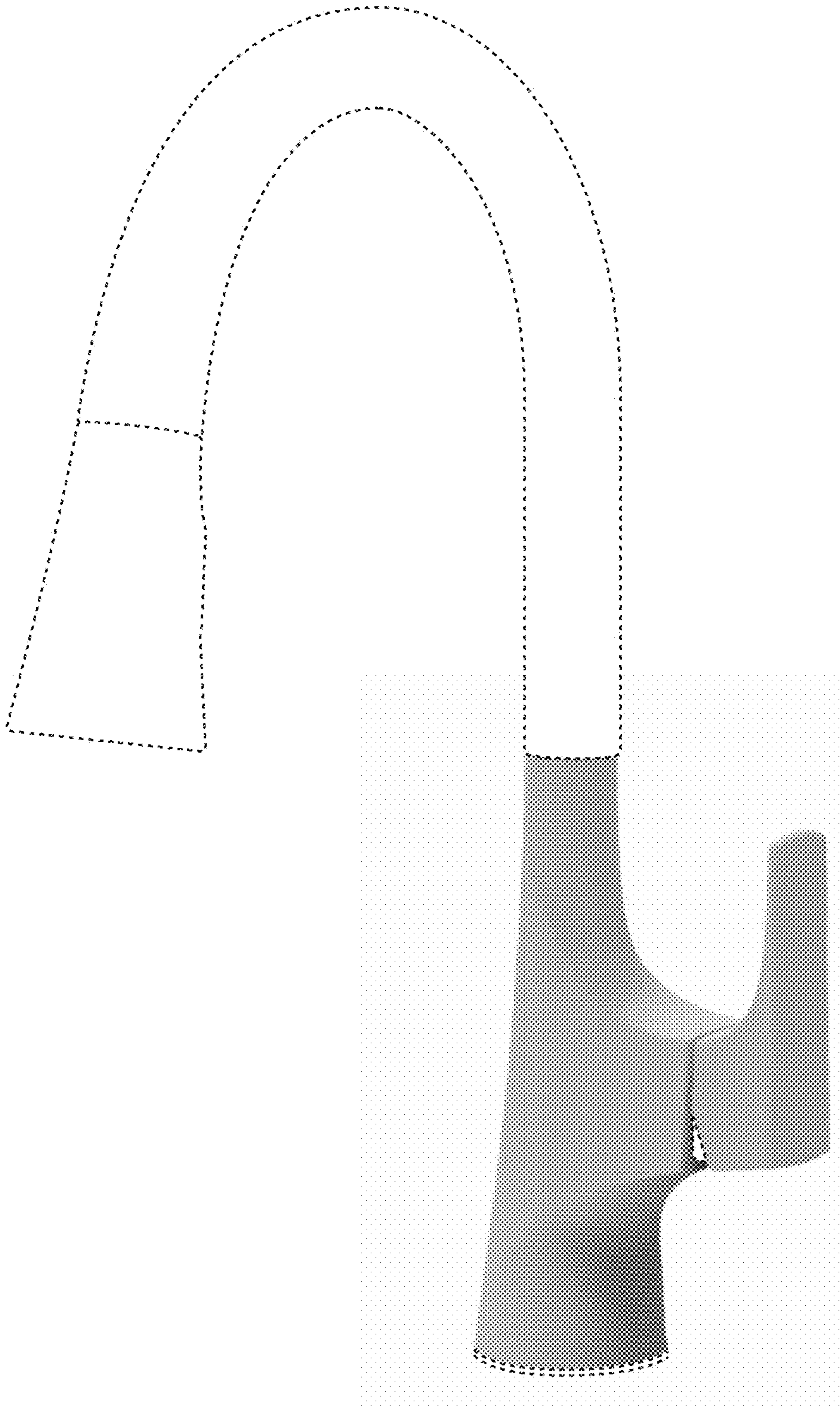


FIG. 1

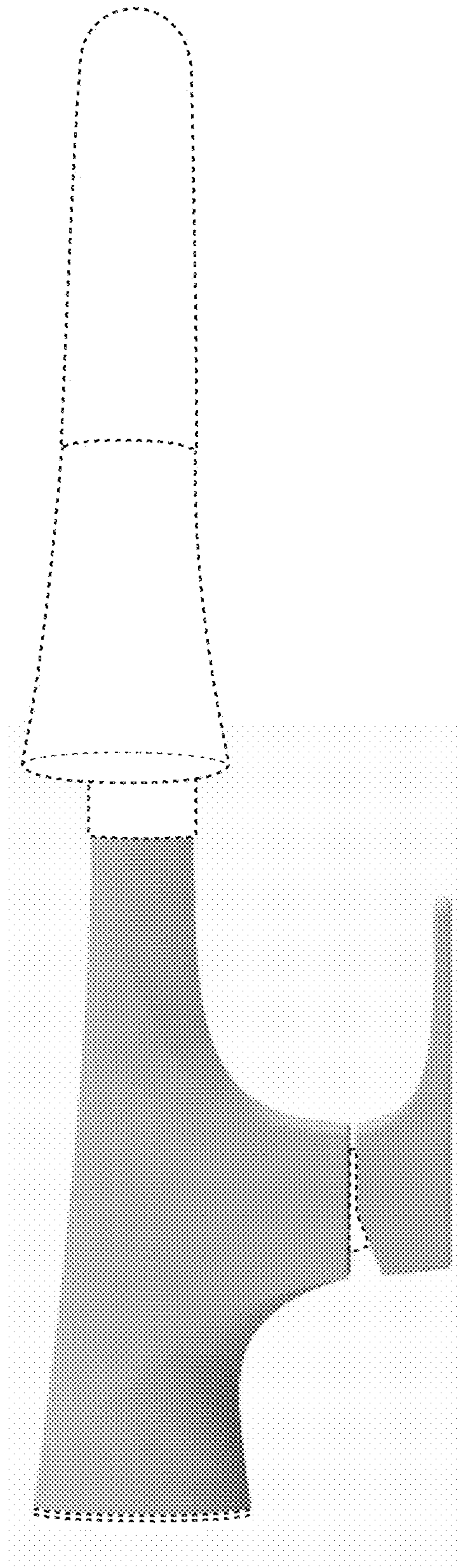


FIG. 2

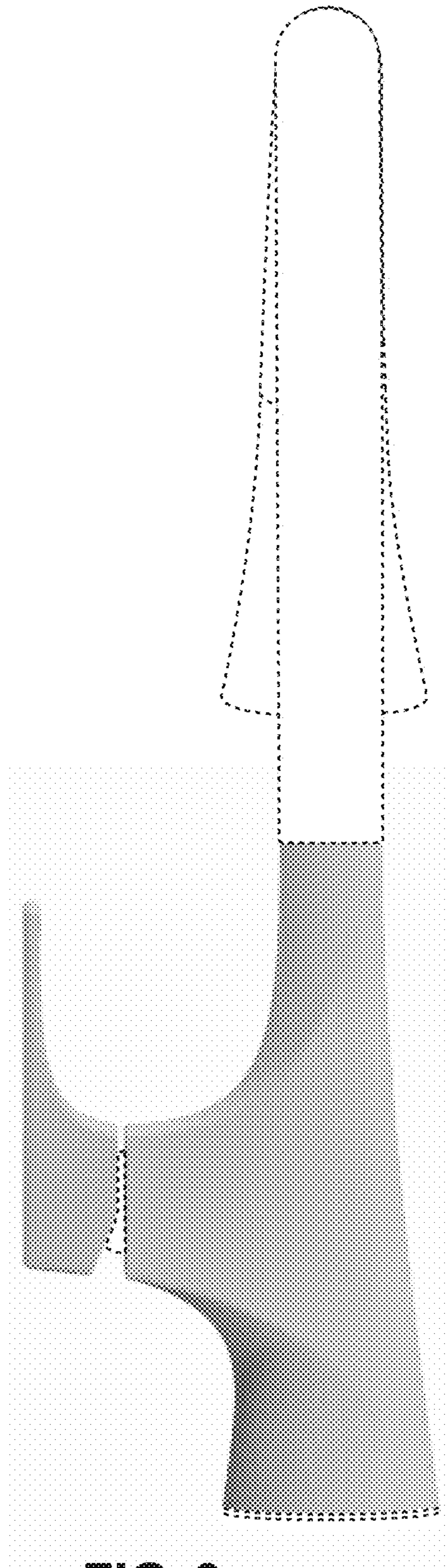


FIG. 3

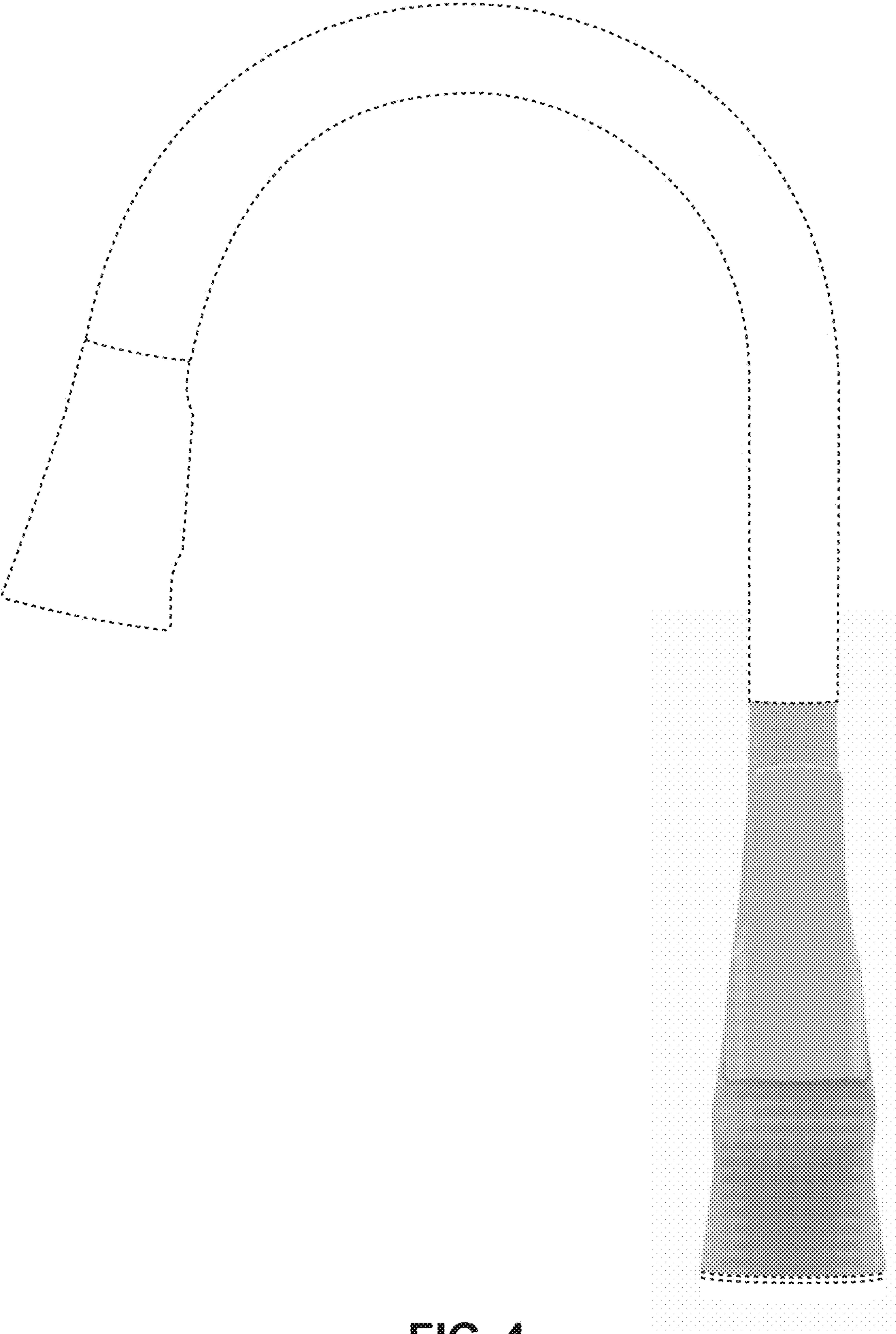


FIG. 4

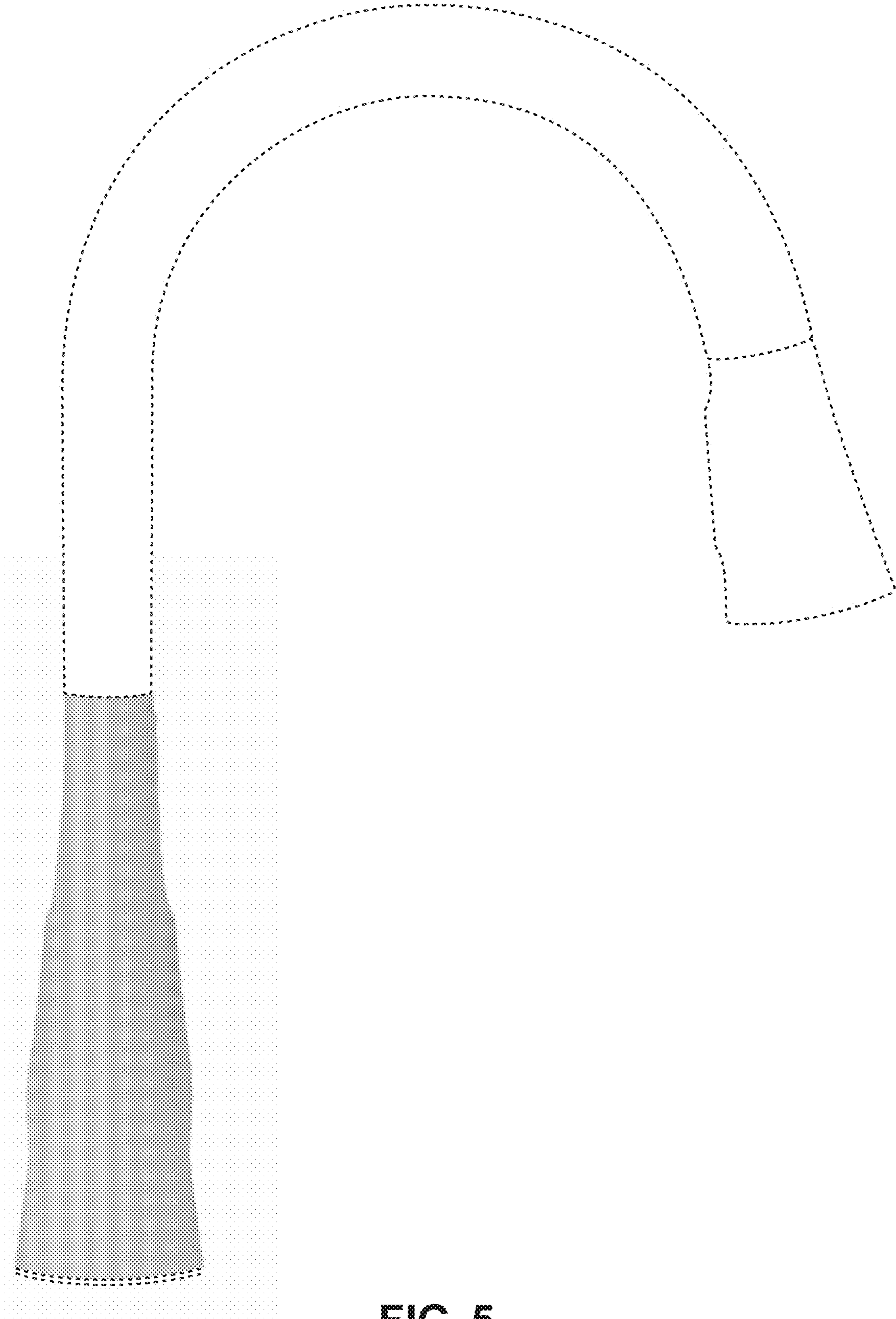


FIG. 5

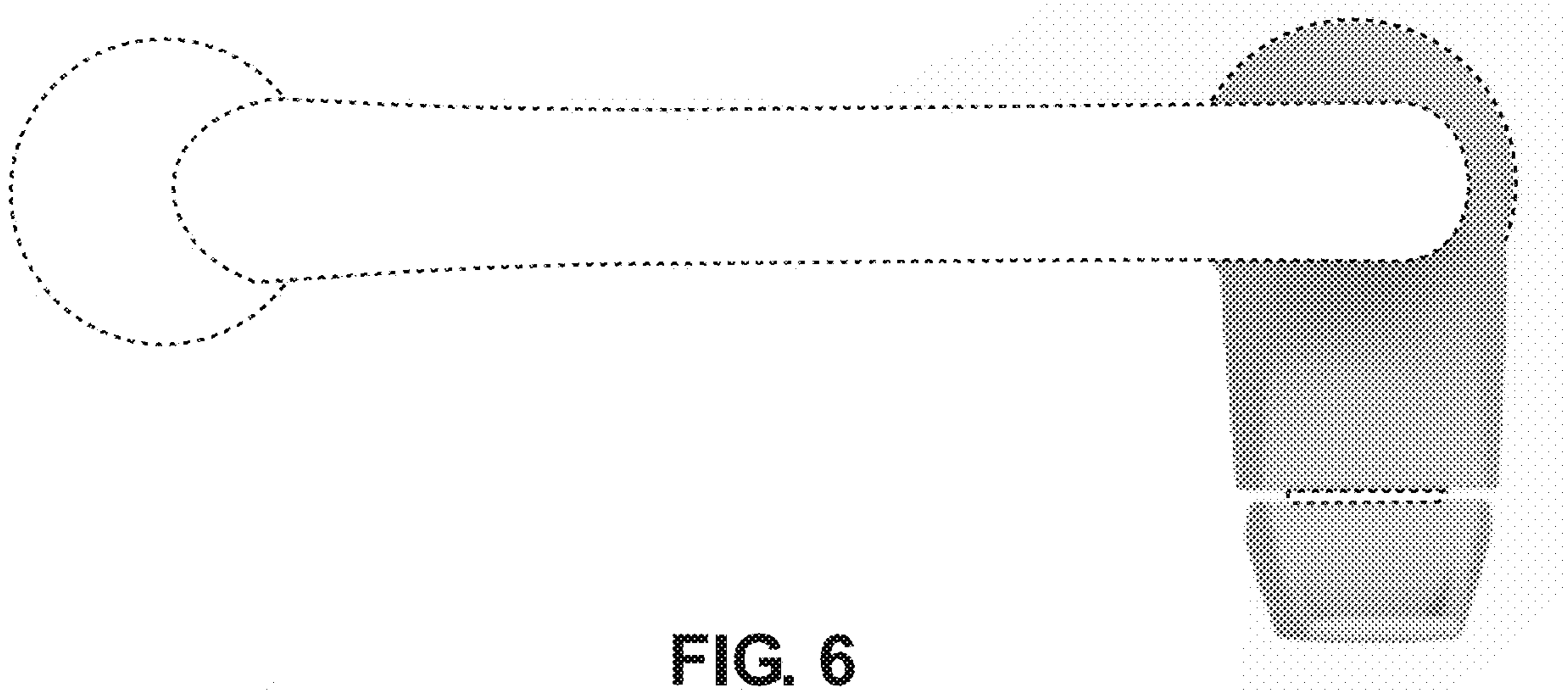


FIG. 6

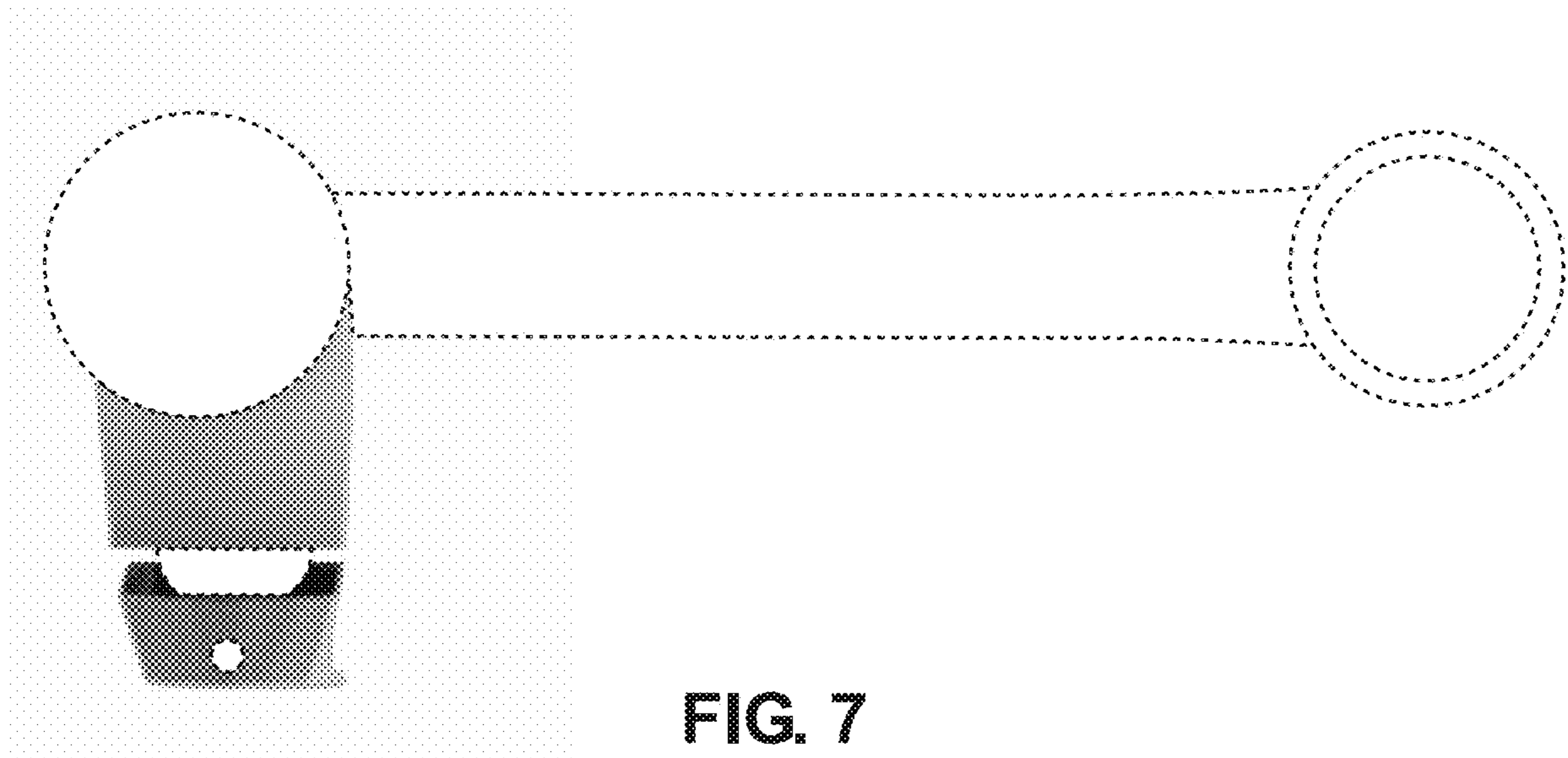


FIG. 7