



US00D978291S

(12) **United States Design Patent** (10) **Patent No.:** **US D978,291 S**
Li (45) **Date of Patent:** **** Feb. 14, 2023**

(54) **WATER SPEED CONTROL VALVE**

D736,890 S * 8/2015 Park D23/233
D895,446 S * 9/2020 Lund Henriksen D10/49
D913,337 S * 3/2021 Chu D15/9
D949,292 S * 4/2022 Corre D23/233

(71) Applicant: **Zhengzhou Yannuo Intelligent Technology Co., Ltd., Zhengzhou (CN)**

* cited by examiner

(72) Inventor: **Delian Li, Zhengzhou (CN)**

Primary Examiner — Gino Colan

(**) Term: **15 Years**

(74) *Attorney, Agent, or Firm* — Che-Yang Chen; Law Office of Michael Chen

(21) Appl. No.: **29/827,337**

(57) **CLAIM**

(22) Filed: **Feb. 18, 2022**

The ornamental design for a water speed control valve, as shown and described.

(51) **LOC (14) Cl.** **23-01**

DESCRIPTION

(52) **U.S. Cl.**

USPC **D23/235**

(58) **Field of Classification Search**

USPC D23/233, 235, 248; D15/9; D10/49;
137/624.13, 624.18, 869; 251/45

CPC D16K 31/12

See application file for complete search history.

(56) **References Cited**

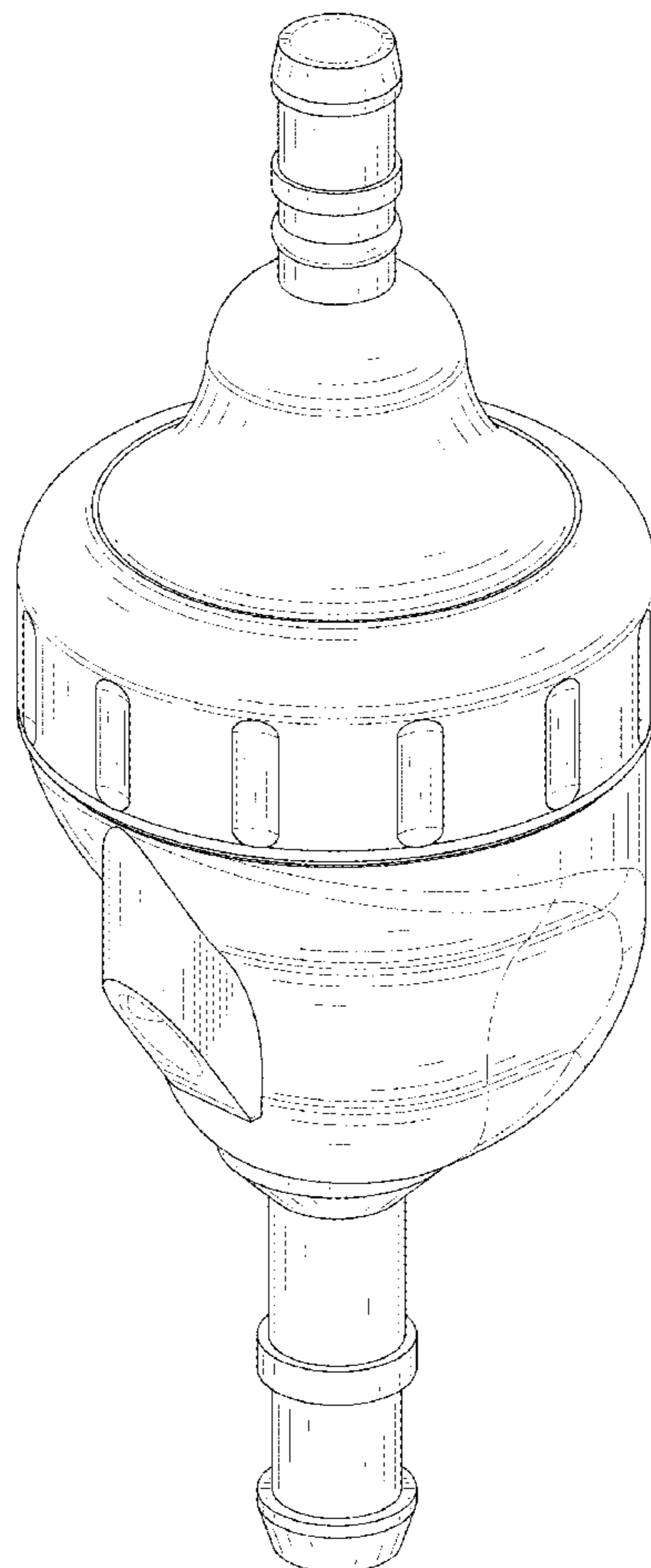
U.S. PATENT DOCUMENTS

D309,175 S 7/1990 Hastings et al.
D426,616 S 6/2000 Hui-Chen
D538,890 S * 3/2007 Park D23/233
D574,335 S 8/2008 Ni

FIG. 1 is a perspective view of the water speed control valve showing my new design;
FIG. 2 is a perspective view thereof from another angle;
FIG. 3 is a front elevational view thereof;
FIG. 4 is a rear elevational view thereof;
FIG. 5 is a left side elevational view thereof;
FIG. 6 is a right side elevational view thereof;
FIG. 7 is a top plan view thereof; and,
FIG. 8 is a bottom plan view thereof.

The broken lines in the drawings are included for the purpose of illustrating portions of the water speed control valve and form no part of the claimed design.

1 Claim, 8 Drawing Sheets



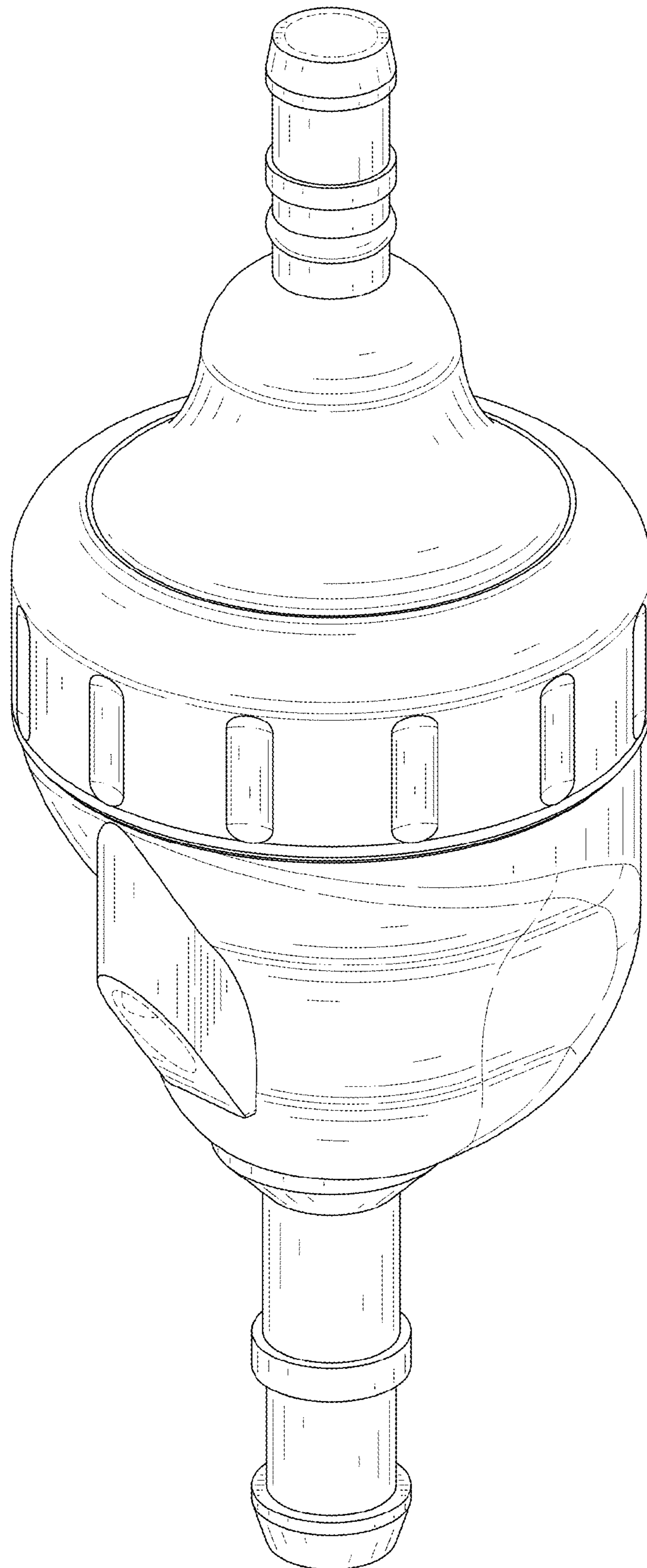


FIG. 1

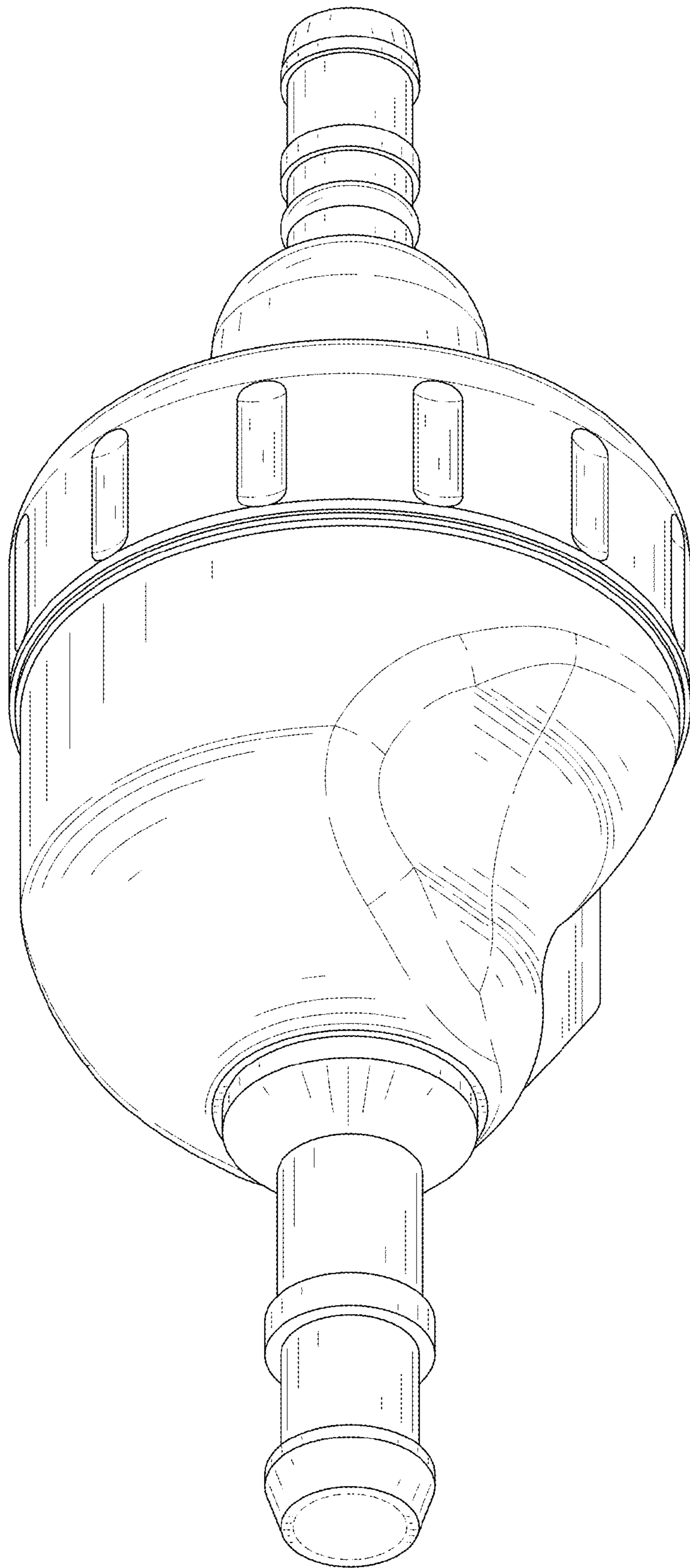


FIG. 2

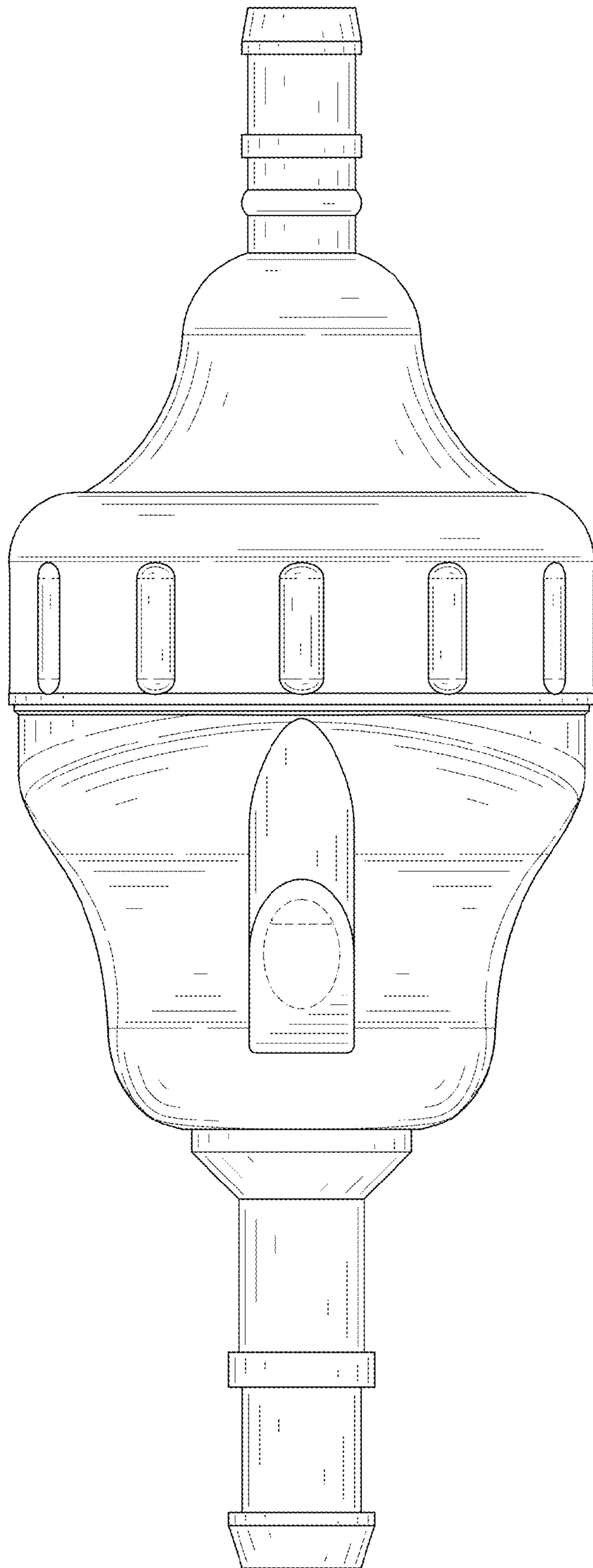


FIG. 3

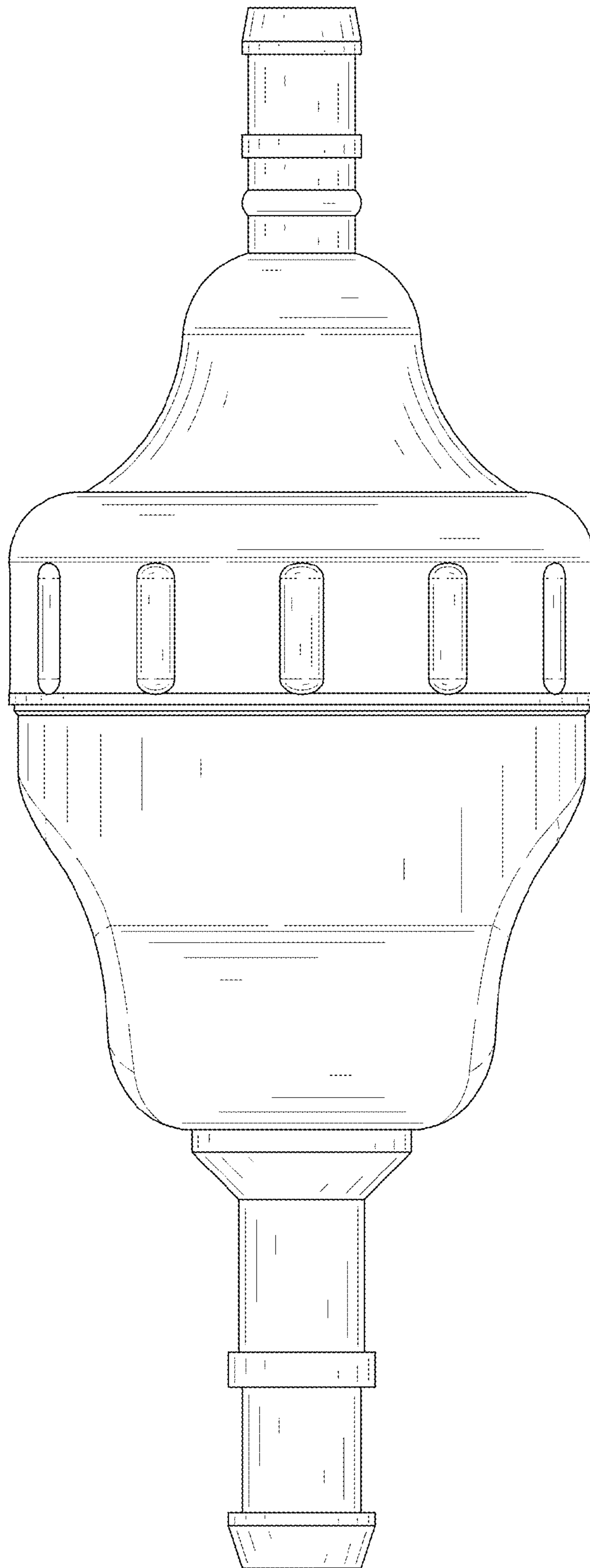


FIG. 4

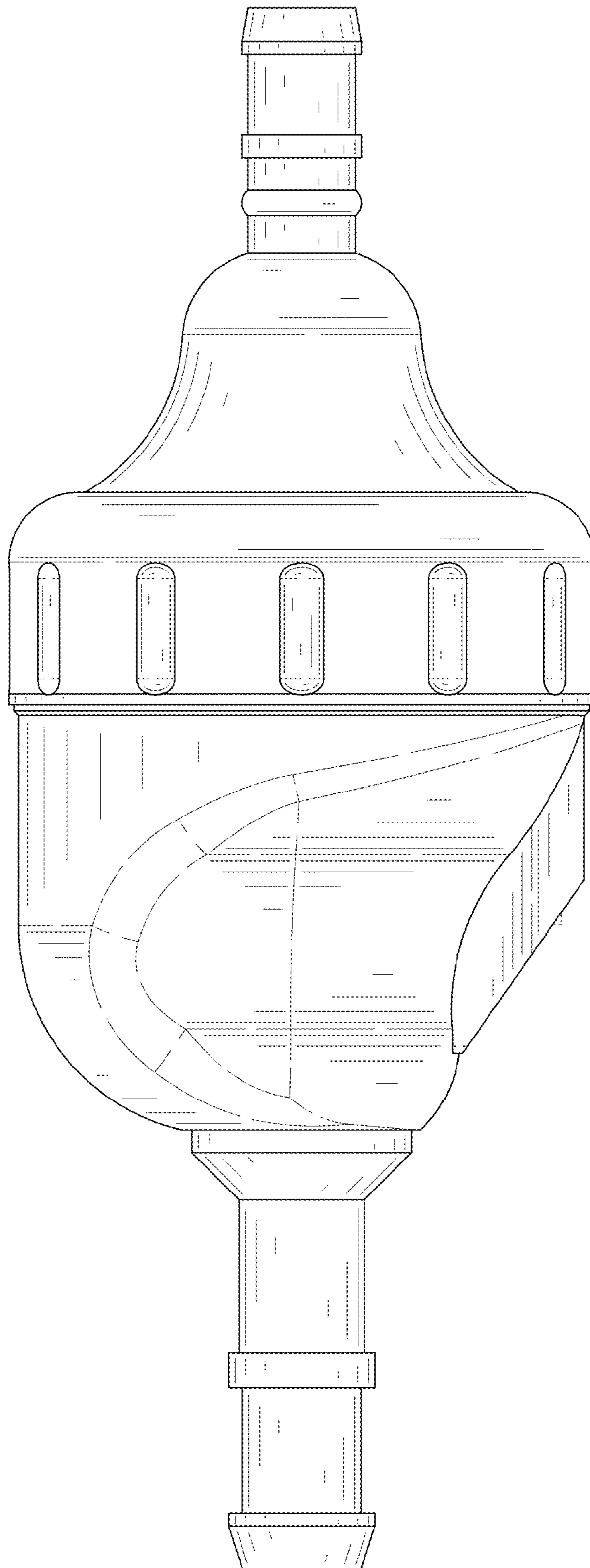


FIG. 5

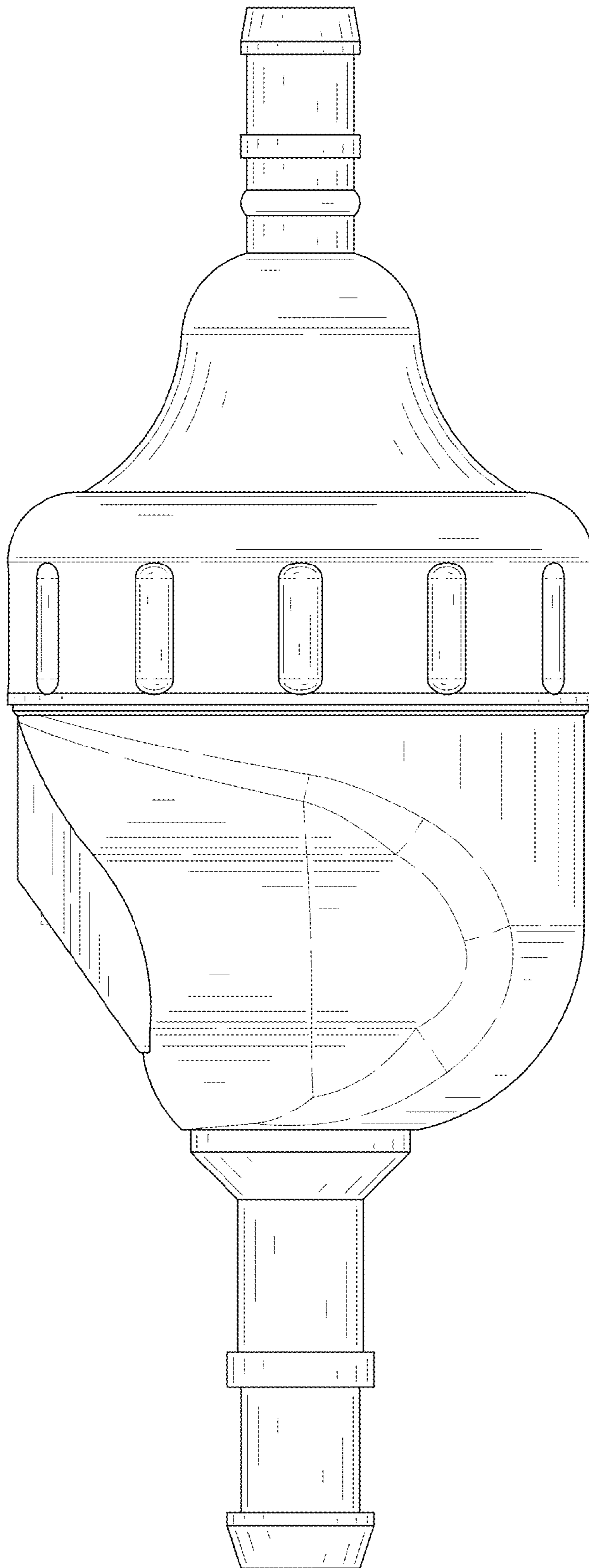


FIG. 6

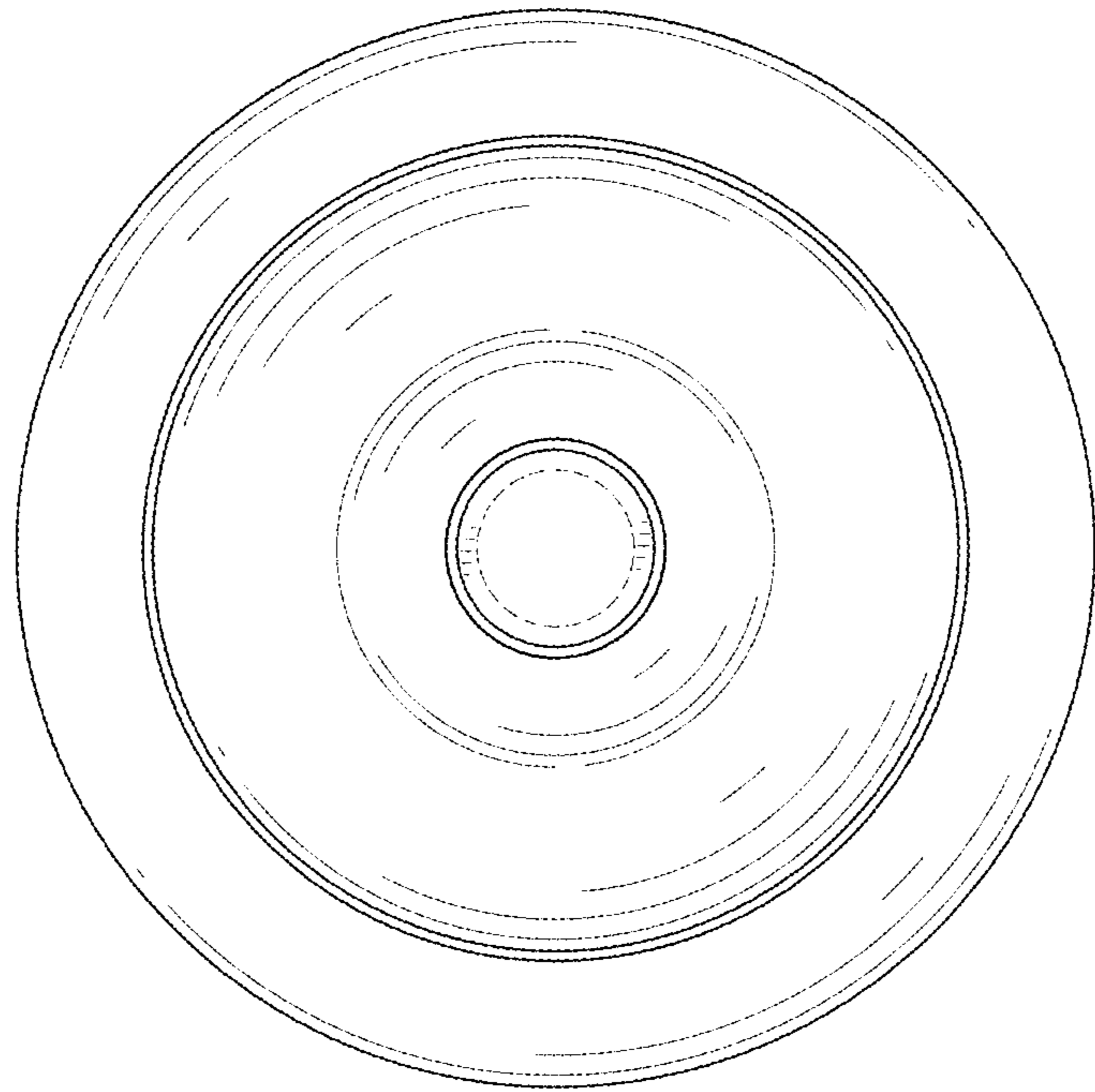


FIG. 7

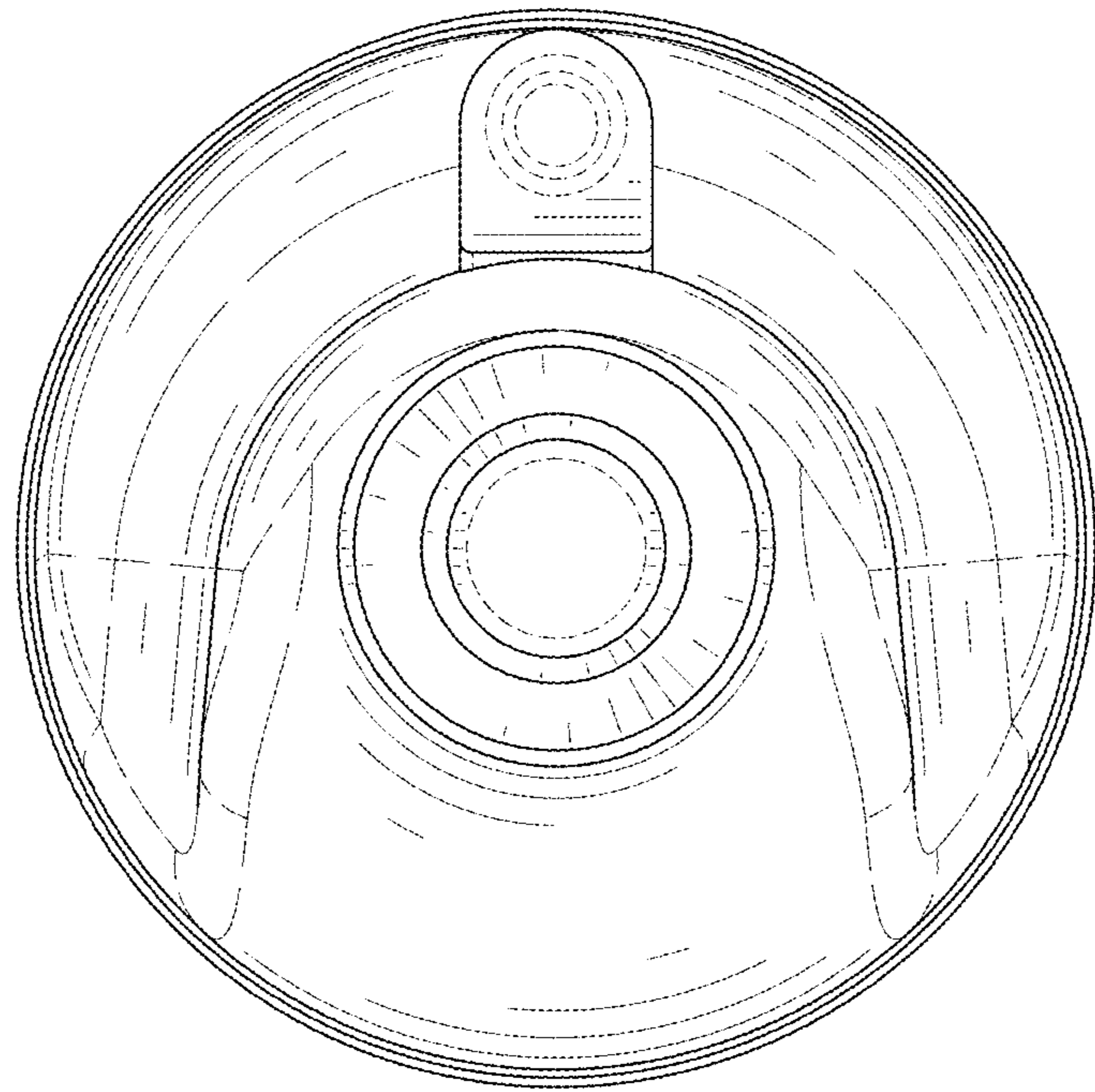


FIG. 8