



US00D978290S

(12) **United States Design Patent** (10) **Patent No.:** **US D978,290 S**
Oechsle (45) **Date of Patent:** **** Feb. 14, 2023**

(54) **FLUID DISTRIBUTION EQUIPMENT**
(71) Applicant: **Neoperl GmbH**, Mullheim (DE)
(72) Inventor: **Daniel Oechsle**, Mullheim (DE)
(73) Assignee: **Neoperl GmbH**, Müllheim (DE)
(**) Term: **15 Years**
(21) Appl. No.: **29/703,988**
(22) Filed: **Aug. 30, 2019**

Related U.S. Application Data

(62) Division of application No. 35/503,110, filed on Mar. 10, 2017 (U.S. filing date under 35 U.S.C. 384), and having an international filing date of Mar. 10, 2017, now Pat. No. Des. 864,353.
(51) **LOC (14) Cl.** **23-01**
(52) **U.S. Cl.**
USPC **D23/233**
(58) **Field of Classification Search**
USPC D23/213, 229, 233, 235, 247-249
CPC . B05B 7/00; B05B 7/0425; E03C 1/00; E03C 1/08; E03C 1/023; E03C 1/086; E03C 2001/026; E03C 2201/30; F16L 9/18-20; F16L 9/22; F16L 37/00
See application file for complete search history.

References Cited

U.S. PATENT DOCUMENTS

D97,414 S 11/1935 Schlafman
D180,010 S 4/1957 Britton
D186,489 S 10/1959 Frye
D236,115 S 7/1975 Bjorklund
D272,262 S 1/1984 Honma
D335,918 S 5/1993 Glasnk
6,425,416 B1 7/2002 Narita et al.

D478,650 S 8/2003 Lai
D479,307 S 9/2003 Ferrer Beltran
D513,782 S 1/2006 Lovett
D566,234 S 4/2008 Caron et al.
D625,777 S 10/2010 Loffler
D678,470 S 3/2013 Mortensen
D678,981 S * 3/2013 Shengyong D23/233
D714,910 S * 10/2014 Roden D23/233
D737,408 S * 8/2015 Roden D23/233
D747,784 S 1/2016 McLauchlan et al.
D752,721 S 3/2016 Wildfang et al.
D759,214 S 6/2016 Fugazza
D759,215 S 6/2016 Fugazza
D773,611 S 12/2016 Baker
D796,633 S 9/2017 Adey et al.
D801,486 S 10/2017 Wildfang et al.
D815,257 S 4/2018 Fugazza
D825,717 S 8/2018 Karibe
D841,121 S 2/2019 Kiefer et al.
D842,971 S 3/2019 Loffler

(Continued)

Primary Examiner — Keli L Hill

(74) *Attorney, Agent, or Firm* — Volpe Koenig

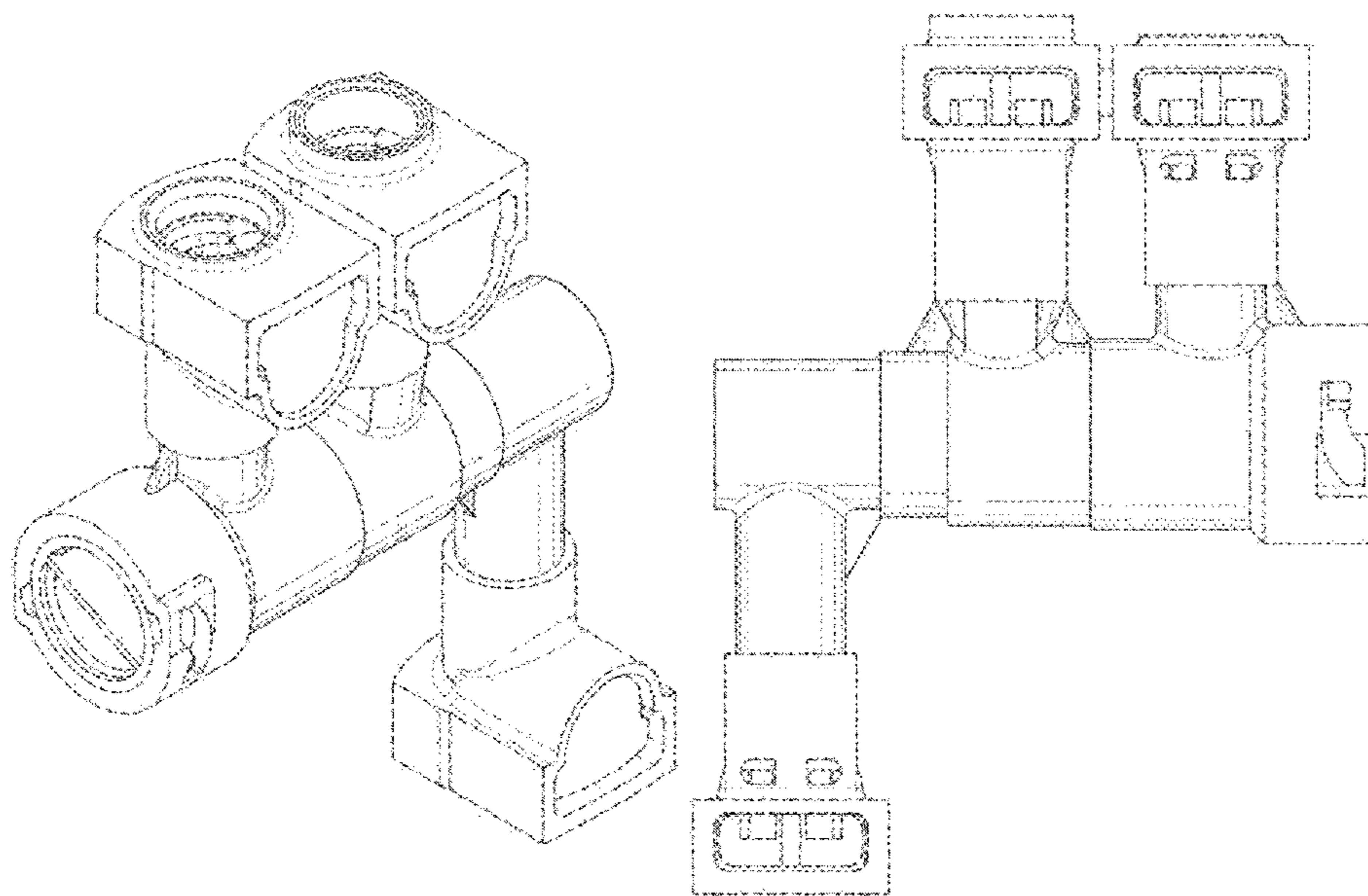
(57) **CLAIM**

The ornamental design for fluid distribution equipment, as shown and described.

DESCRIPTION

FIG. 1 is a top plan view of fluid distribution equipment in accordance with my design;
FIG. 2 is a top, front perspective view thereof;
FIG. 3 is a bottom plan view thereof;
FIG. 4 is a bottom, rear perspective view thereof;
FIG. 5 is a front elevational view thereof;
FIG. 6 is a rear elevational view thereof;
FIG. 7 is a left side elevational view thereof; and,
FIG. 8 is a right side elevational view thereof.
The broken lines represent portions of the fluid distribution equipment that form no part of the claimed design.

1 Claim, 8 Drawing Sheets



(56)

References Cited

U.S. PATENT DOCUMENTS

D849,198	S	5/2019	Karibe	
D854,658	S	* 7/2019	Yamada D23/235
D855,153	S	* 7/2019	Yamada D23/235
D858,704	S	* 9/2019	Yamada D23/235
D864,353	S	* 10/2019	Oechsle D23/233
D866,713	S	* 11/2019	Oechsle D23/233

* cited by examiner

Fig. 1

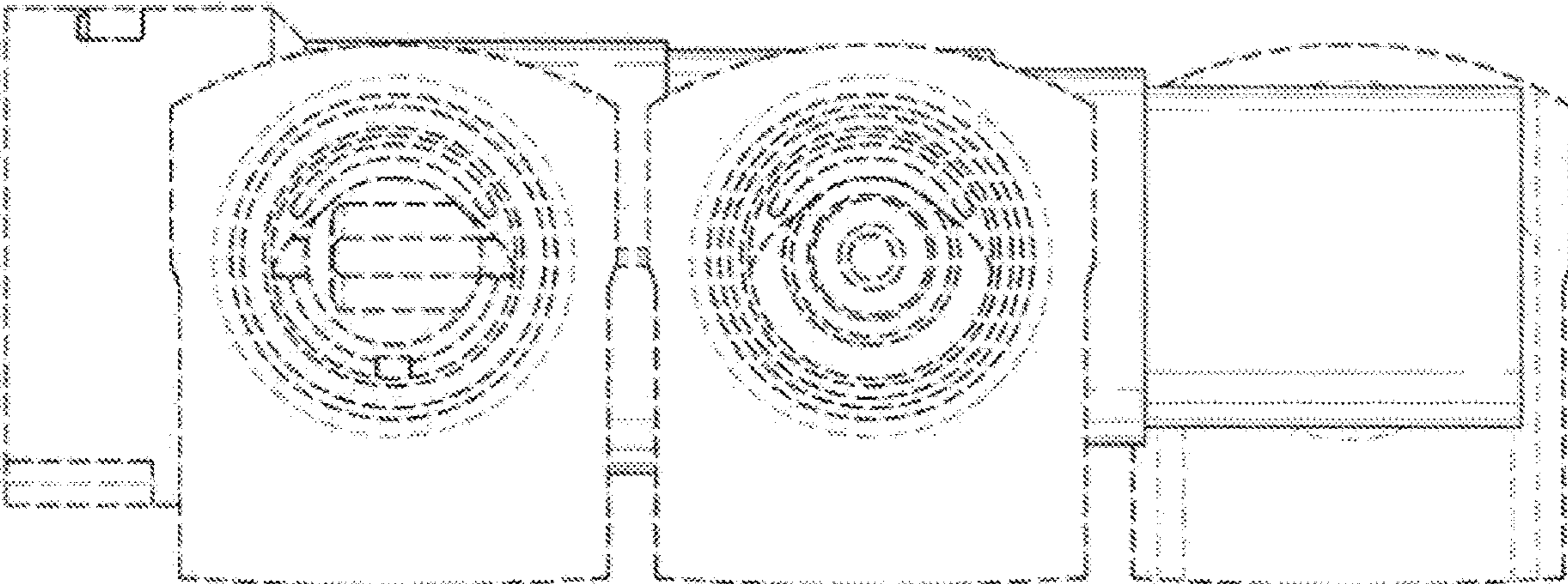


Fig. 2

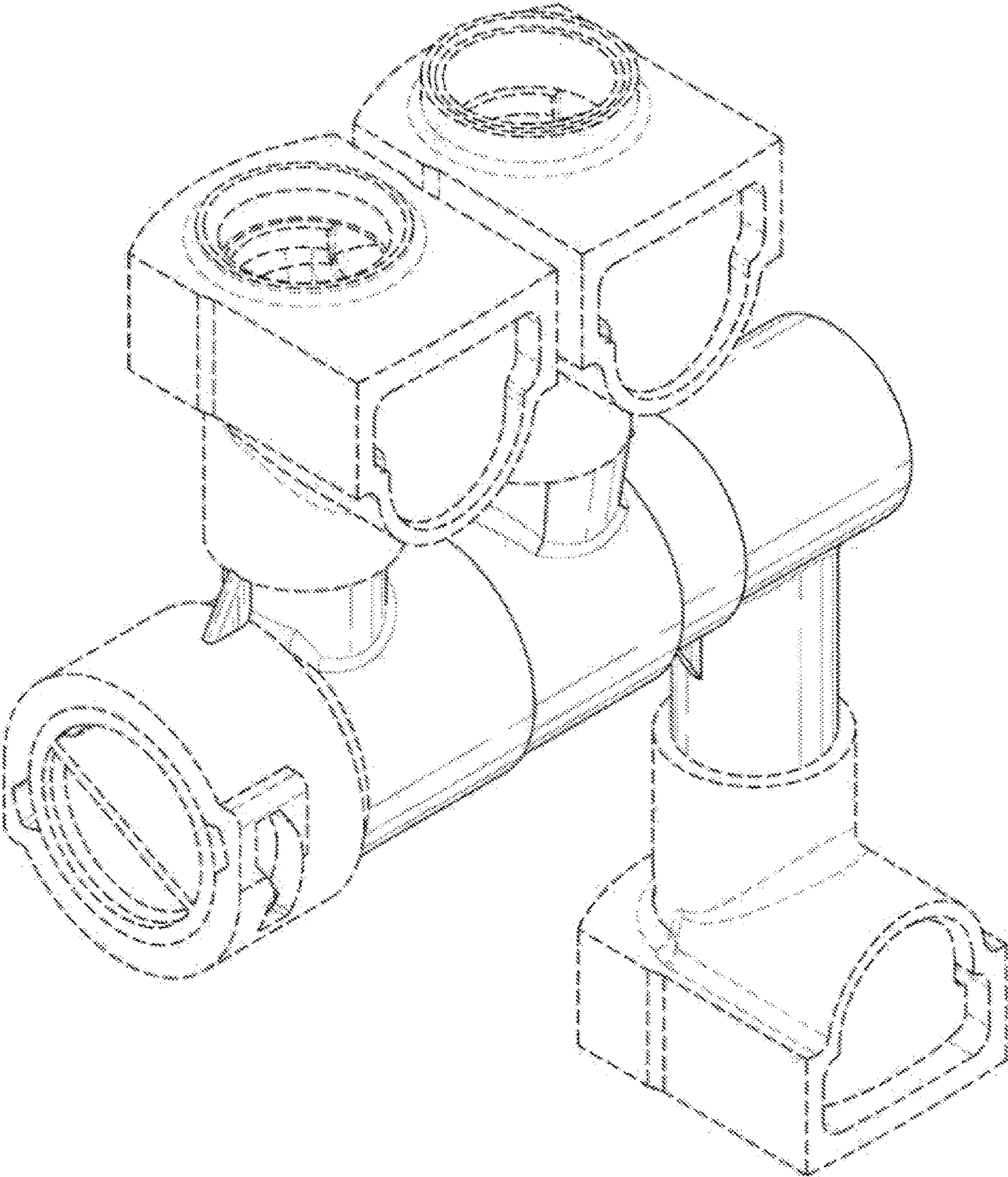


Fig. 3

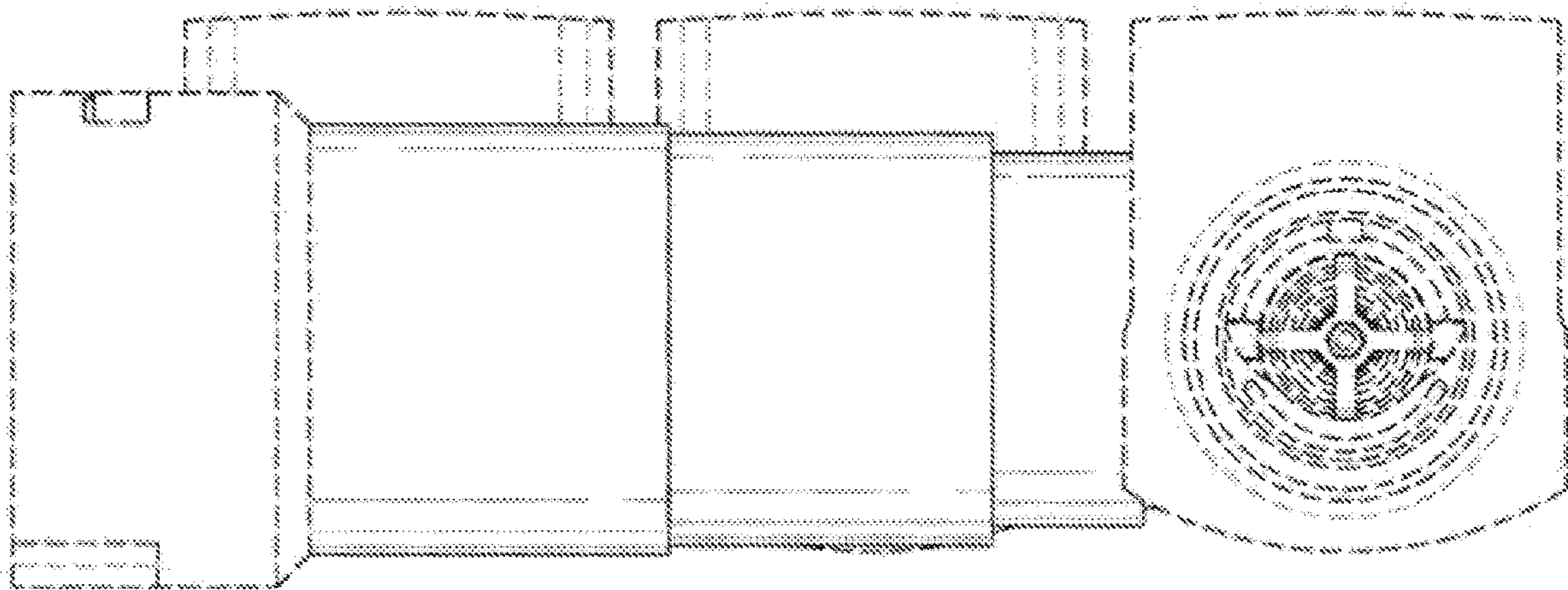


Fig. 4

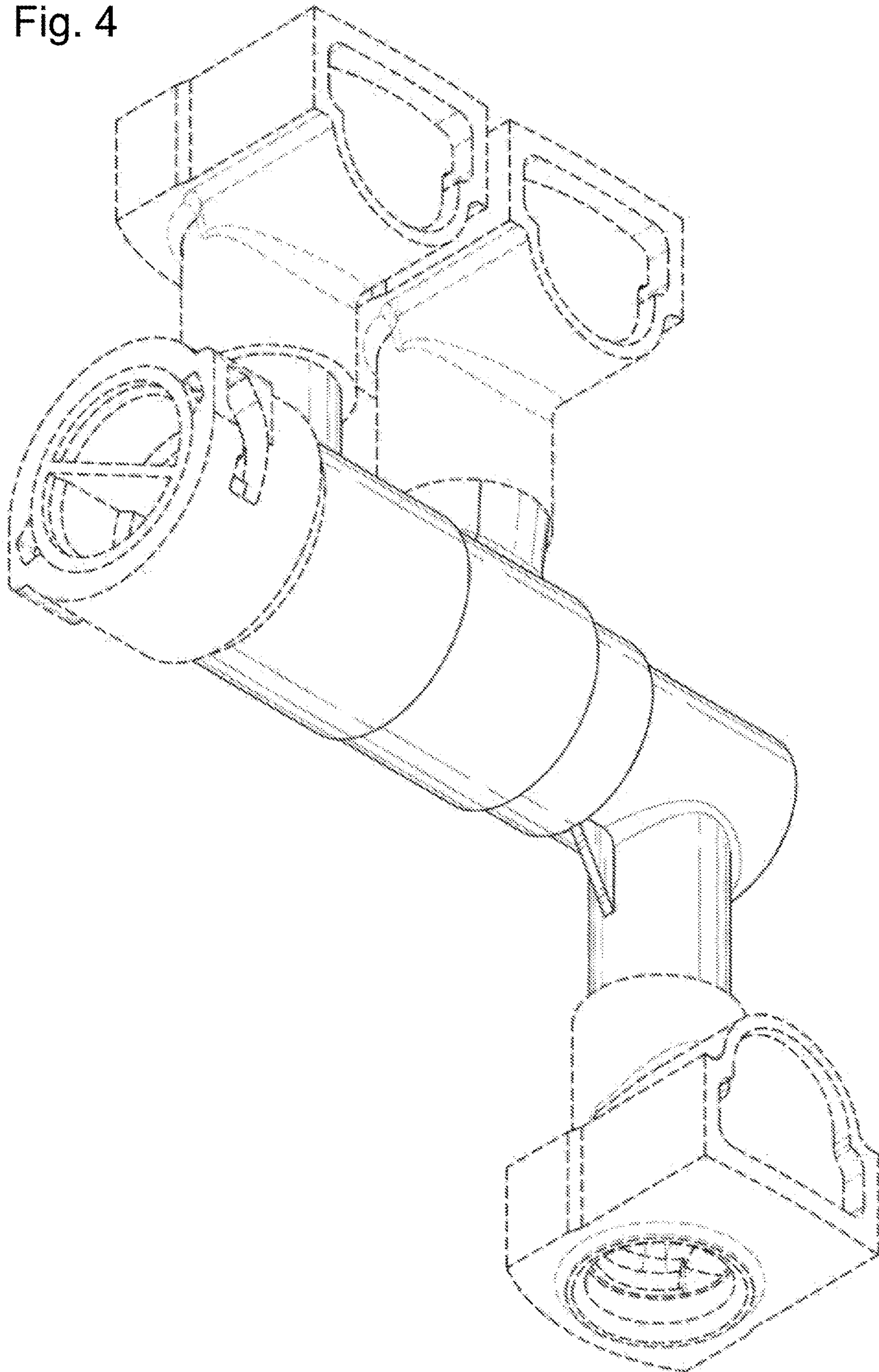


Fig. 5

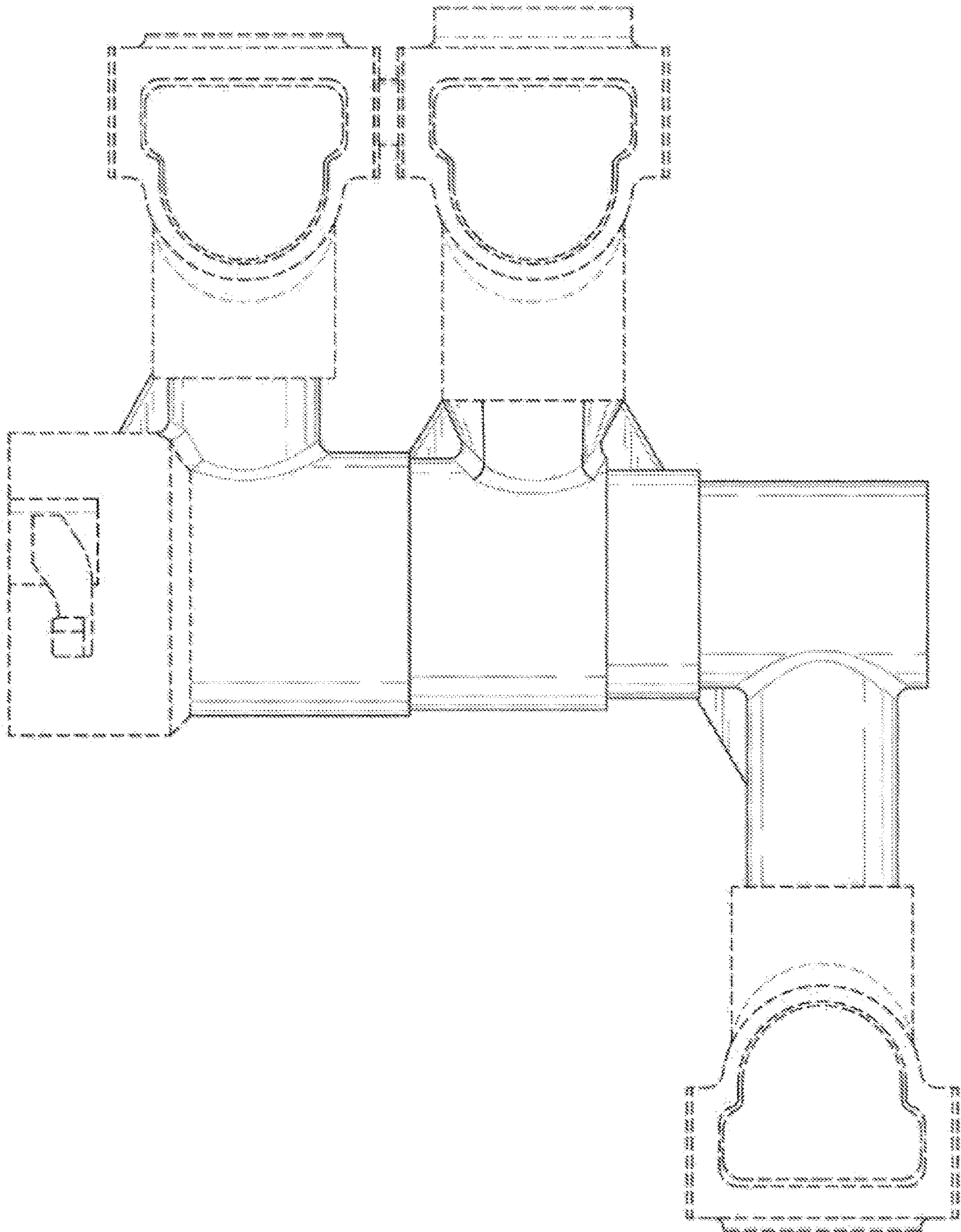


Fig. 6

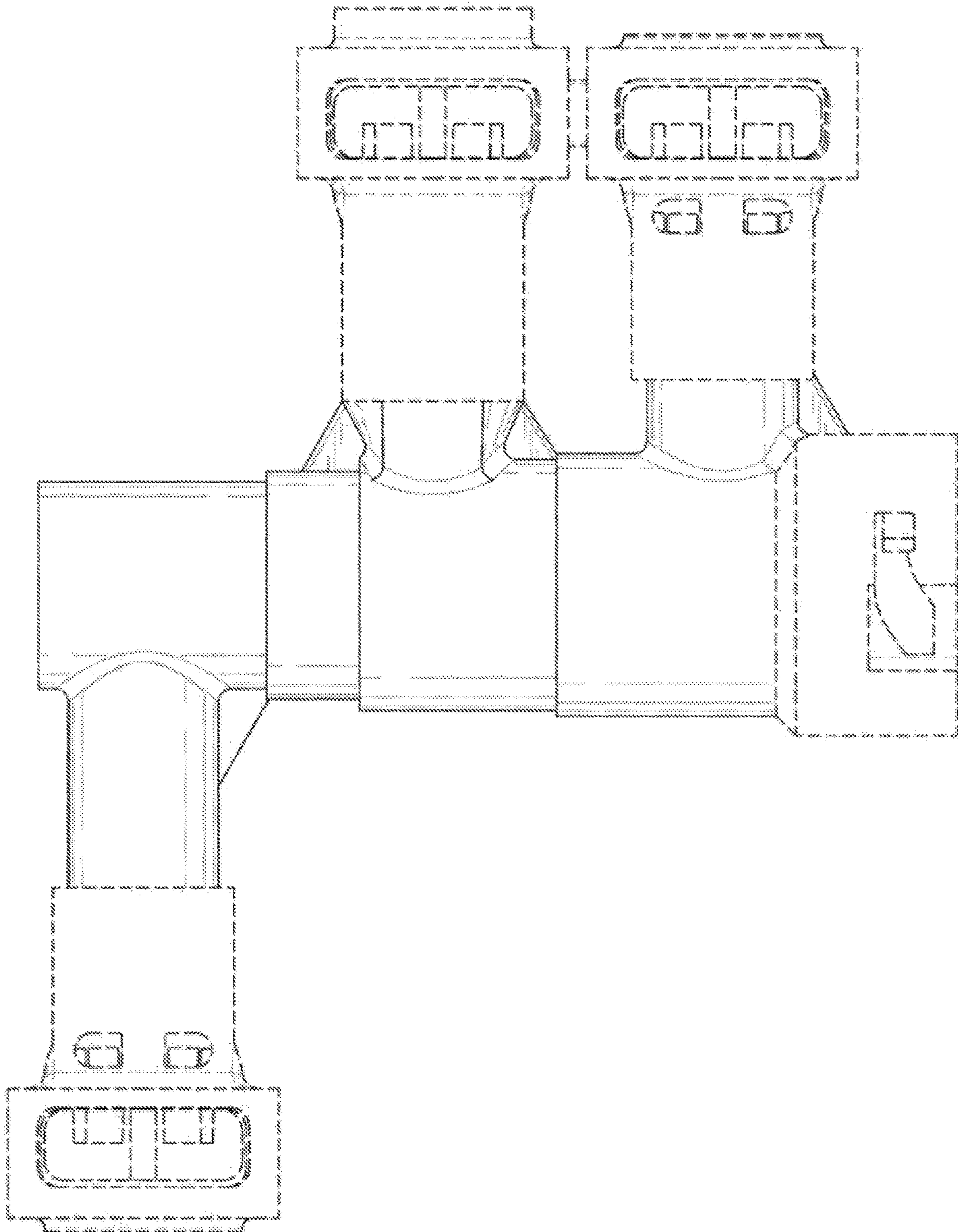


Fig. 7

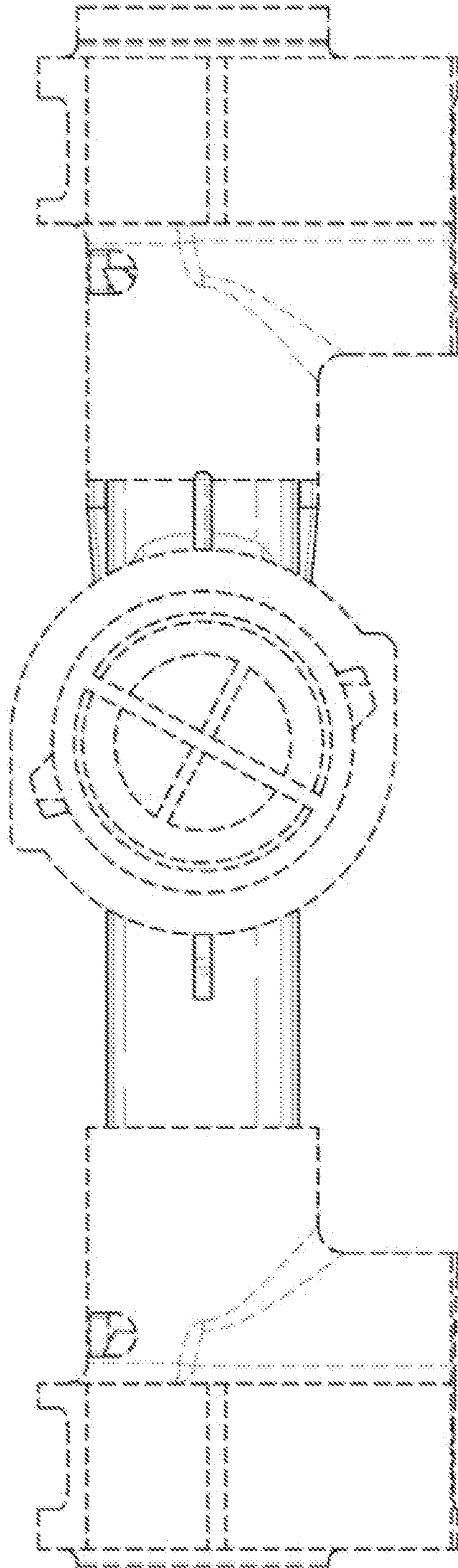


Fig. 8

