



US00D978289S

(12) **United States Design Patent**
Garland

(10) **Patent No.:** **US D978,289 S**

(45) **Date of Patent:** **** Feb. 14, 2023**

(54) **SPRAY WAND**

(71) Applicant: **DELTA FAUCET COMPANY,**
Indianapolis, IN (US)

(72) Inventor: **Celine Kwok Garland,** Zionsville, IN
(US)

(73) Assignee: **DELTA FAUCET COMPANY,**
Indianapolis, IN (US)

(**) Term: **15 Years**

(21) Appl. No.: **29/733,221**

(22) Filed: **Apr. 30, 2020**

(51) **LOC (14) Cl.** **23-01**

(52) **U.S. Cl.**
USPC **D23/226**

(58) **Field of Classification Search**
USPC D23/206, 213–215, 223, 225–226, 229,
D23/232, 238, 243, 249–250, 283,
D23/270–274, 284–285
CPC B05B 1/16; B05B 1/1618; B05B 1/18;
B05B 1/185; F16K 31/60; E03C 1/04;
E03C 1/0404; E03C 1/06; E03C
2001/0414
See application file for complete search history.

(56) **References Cited**

U.S. PATENT DOCUMENTS

D802,091 S	*	11/2017	Bahler	D23/257
D866,707 S	*	11/2019	Eads	D23/213
D867,522 S	*	11/2019	Tentler	D23/213
D867,523 S	*	11/2019	Tentler	D23/213
D867,524 S	*	11/2019	Tentler	D23/213
D867,525 S	*	11/2019	Eads	D23/213
D867,526 S	*	11/2019	Garland	D23/213
D867,527 S	*	11/2019	Eads	D23/213

D870,235 S	*	12/2019	Tentler	D23/213
D870,845 S	*	12/2019	Eads	D23/213
D876,582 S	*	2/2020	Eads	D23/213
D881,341 S	*	4/2020	Garland	D23/213
D924,355 S	*	7/2021	Diefenbach	D23/213
D939,048 S	*	12/2021	Fritz	D23/226
D939,050 S	*	12/2021	Stoler	D23/226
D946,112 S	*	3/2022	Elser	D23/213
D946,115 S	*	3/2022	Stoler	D23/226
D946,116 S	*	3/2022	Elser	D23/226
D947,321 S	*	3/2022	Stoler	D23/226
D948,666 S	*	4/2022	Miller	D23/226
D951,394 S	*	5/2022	Witt	D23/226
D952,103 S	*	5/2022	Stoler	D23/238
D954,208 S	*	6/2022	Eads	D23/249
D957,577 S	*	7/2022	Upadhyaya	D23/238
D960,306 S	*	8/2022	Eads	D23/213

* cited by examiner

Primary Examiner — Karen S Acker

Assistant Examiner — Jonathan E Fiencke

(74) *Attorney, Agent, or Firm* — Jeffrey L. Doyle

(57) **CLAIM**

The ornamental design for a spray wand, as shown and described.

DESCRIPTION

FIG. 1 is a front perspective view of a spray wand showing my new design;

FIG. 2 is a rear perspective view thereof;

FIG. 3 is a front elevational view thereof;

FIG. 4 is a left side view thereof;

FIG. 5 is rear view thereof;

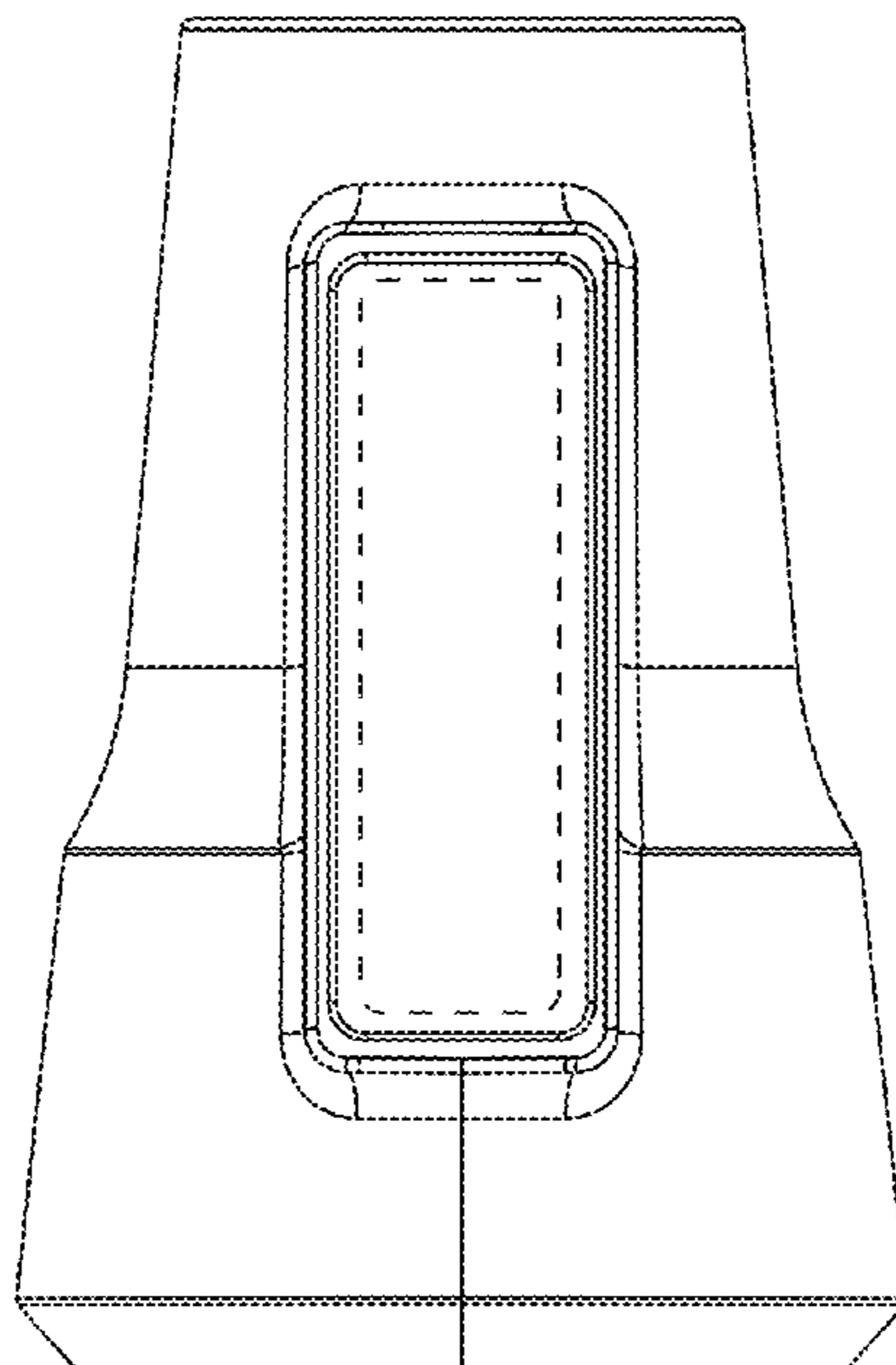
FIG. 6 is a right side view thereof;

FIG. 7 is a top plan view thereof; and,

FIG. 8 is a bottom view thereof.

The broken lines denote the boundaries of the claim and form no part thereof.

1 Claim, 4 Drawing Sheets



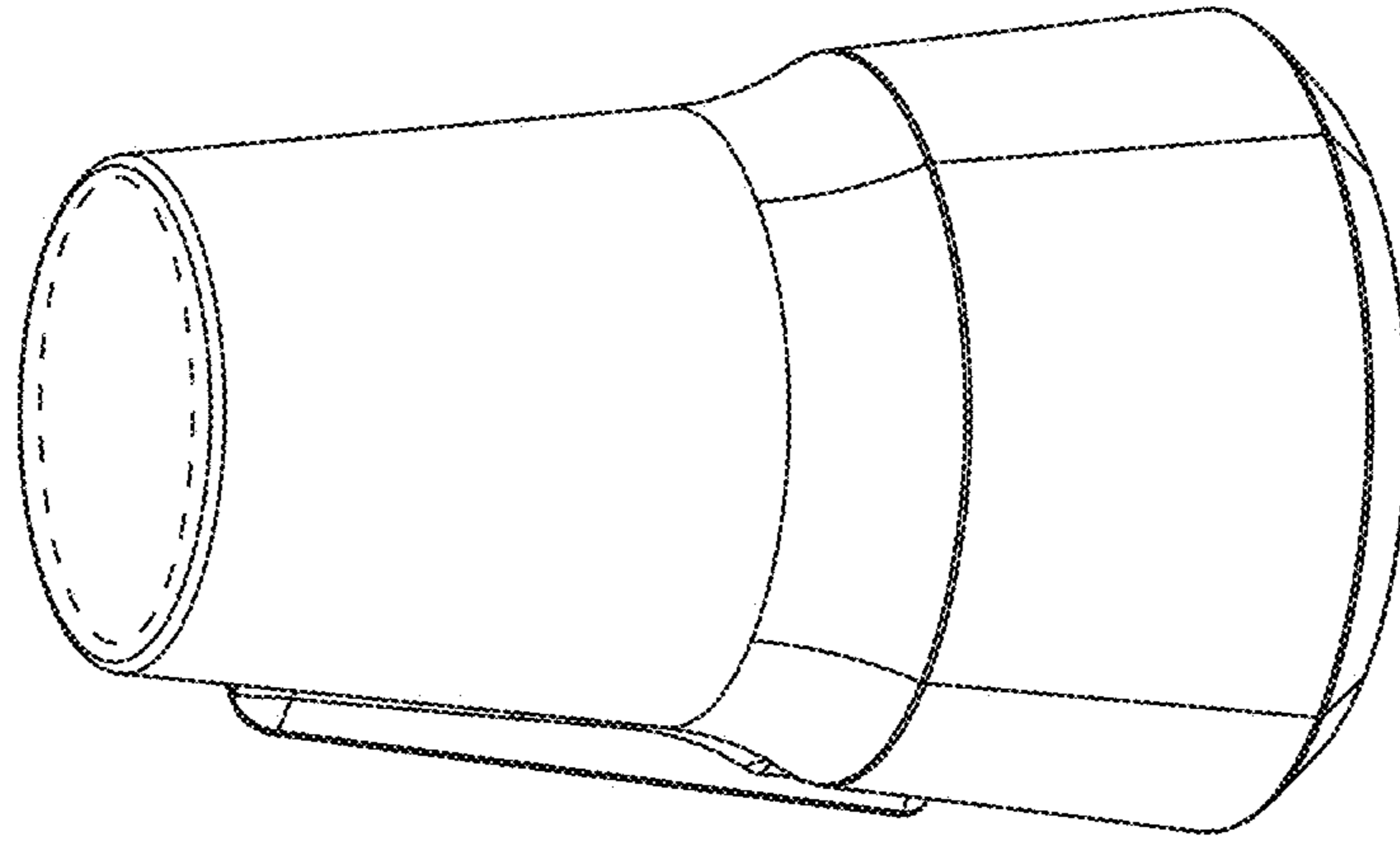


FIG. 2

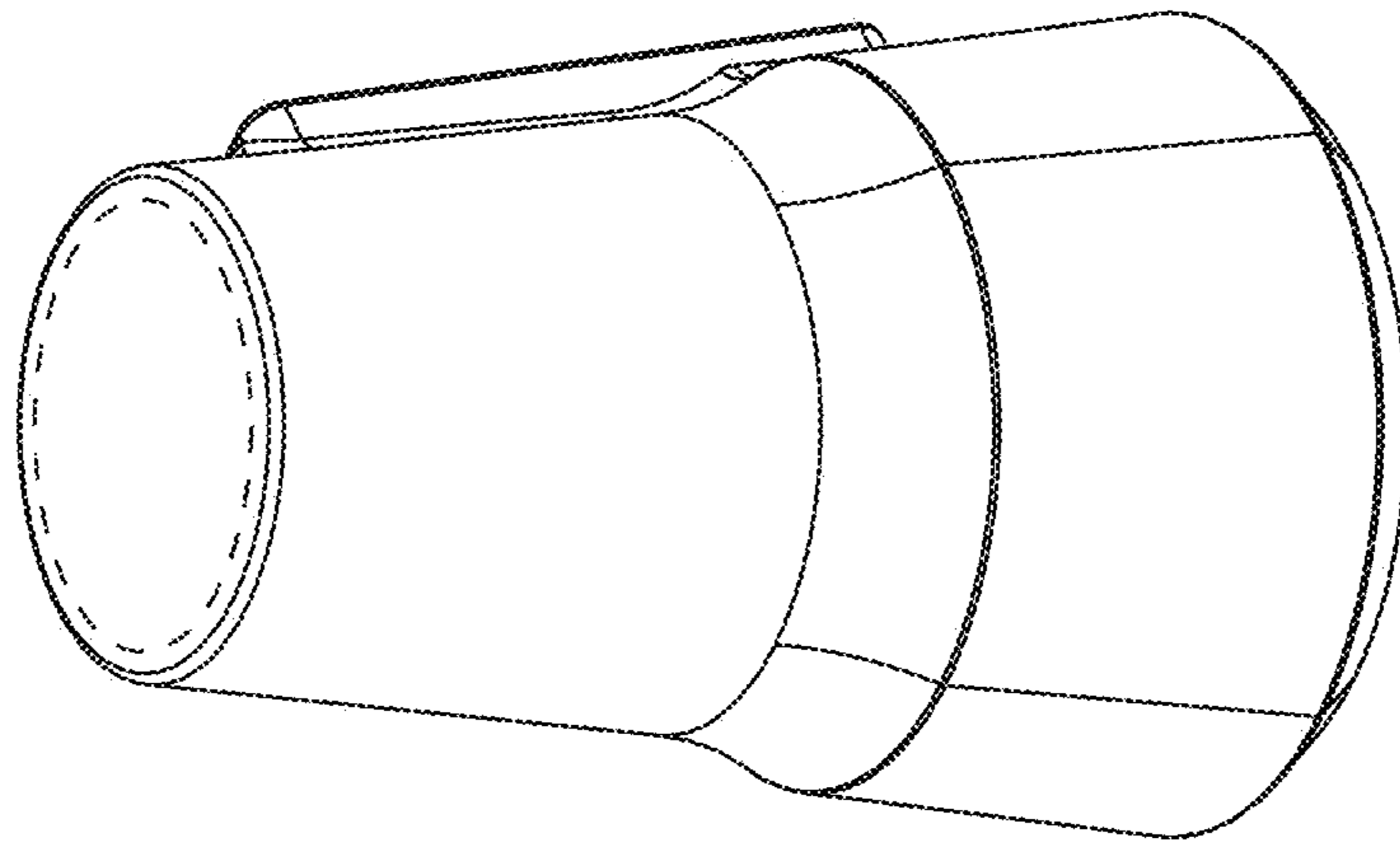


FIG. 1

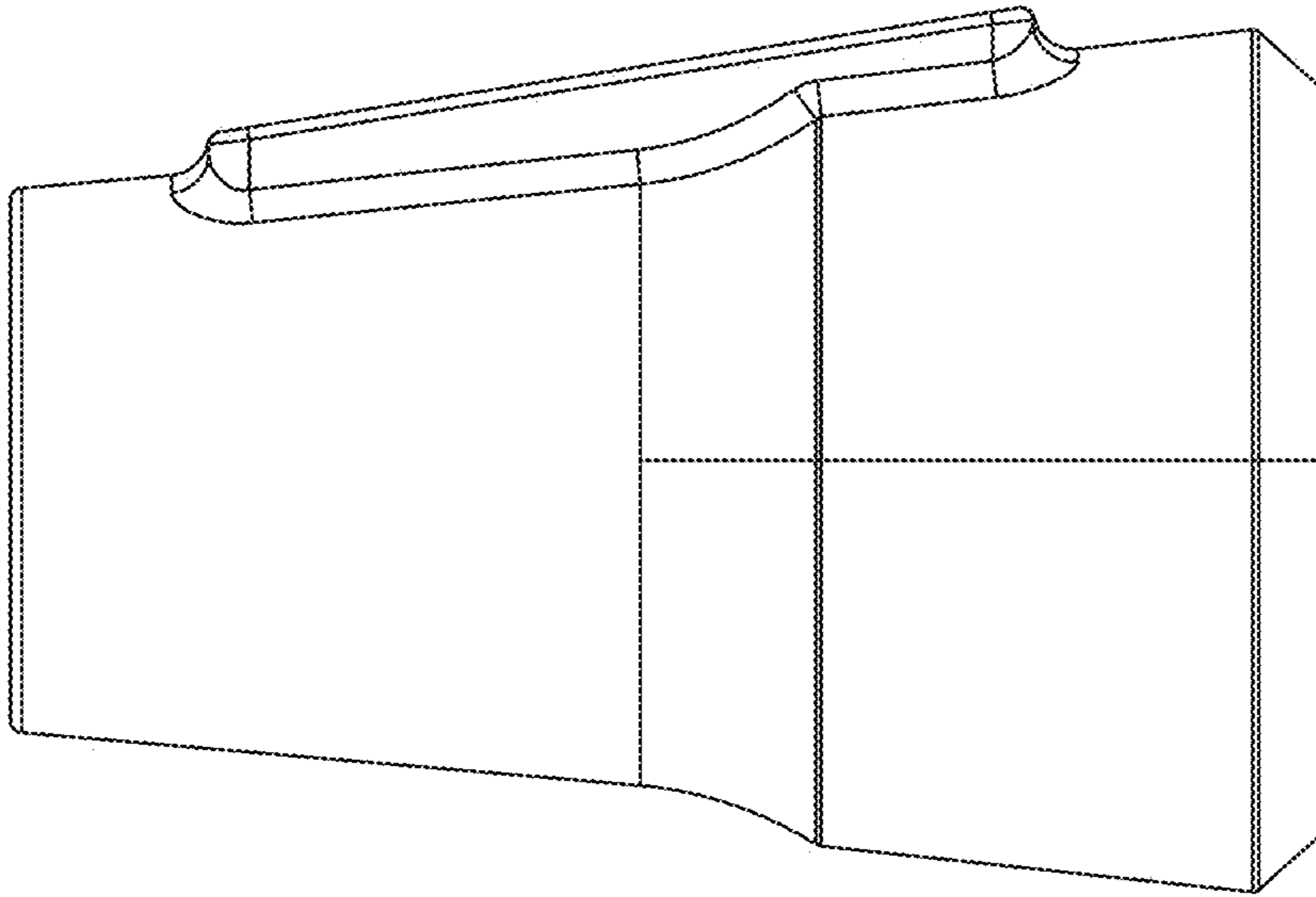


FIG. 4

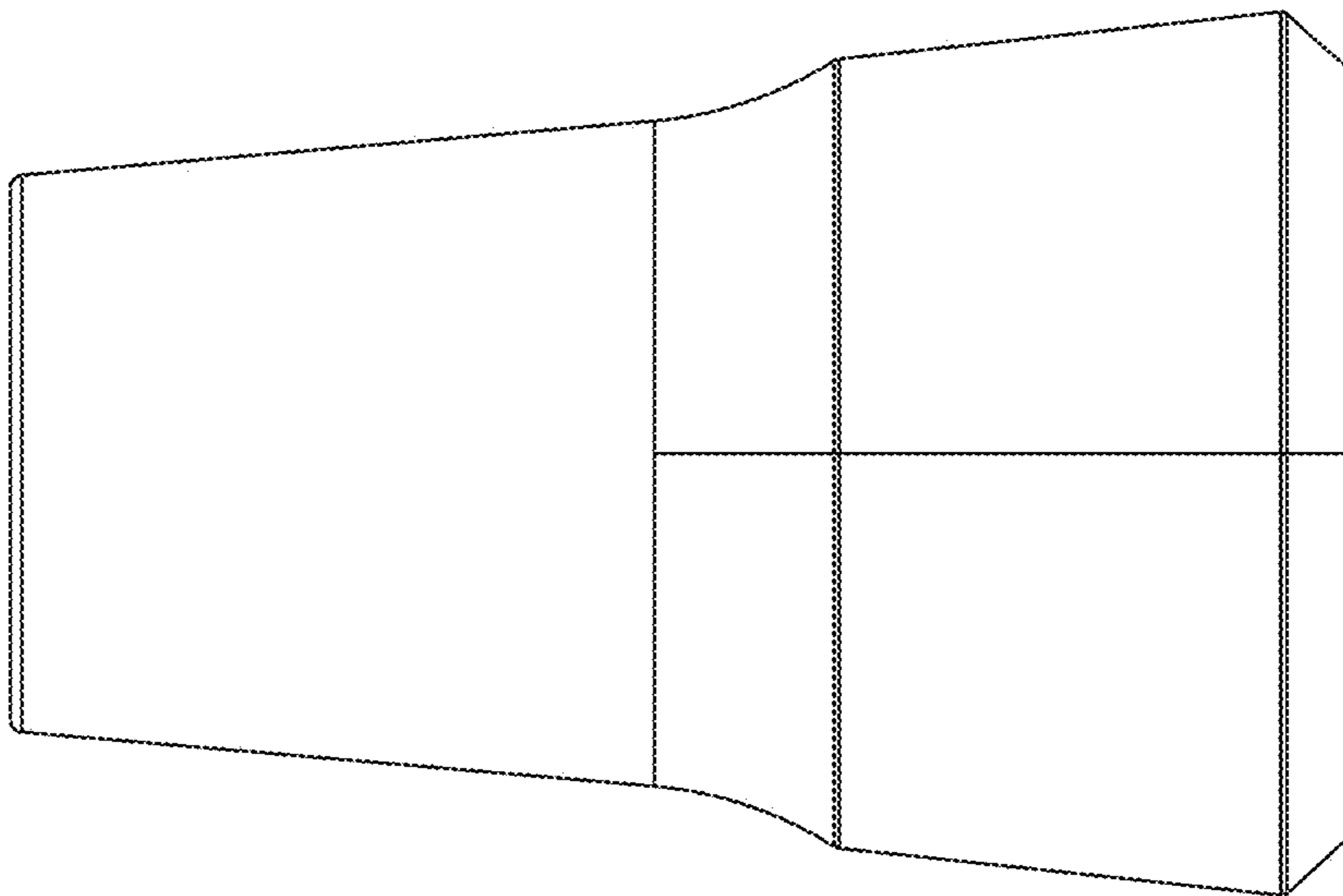


FIG. 3

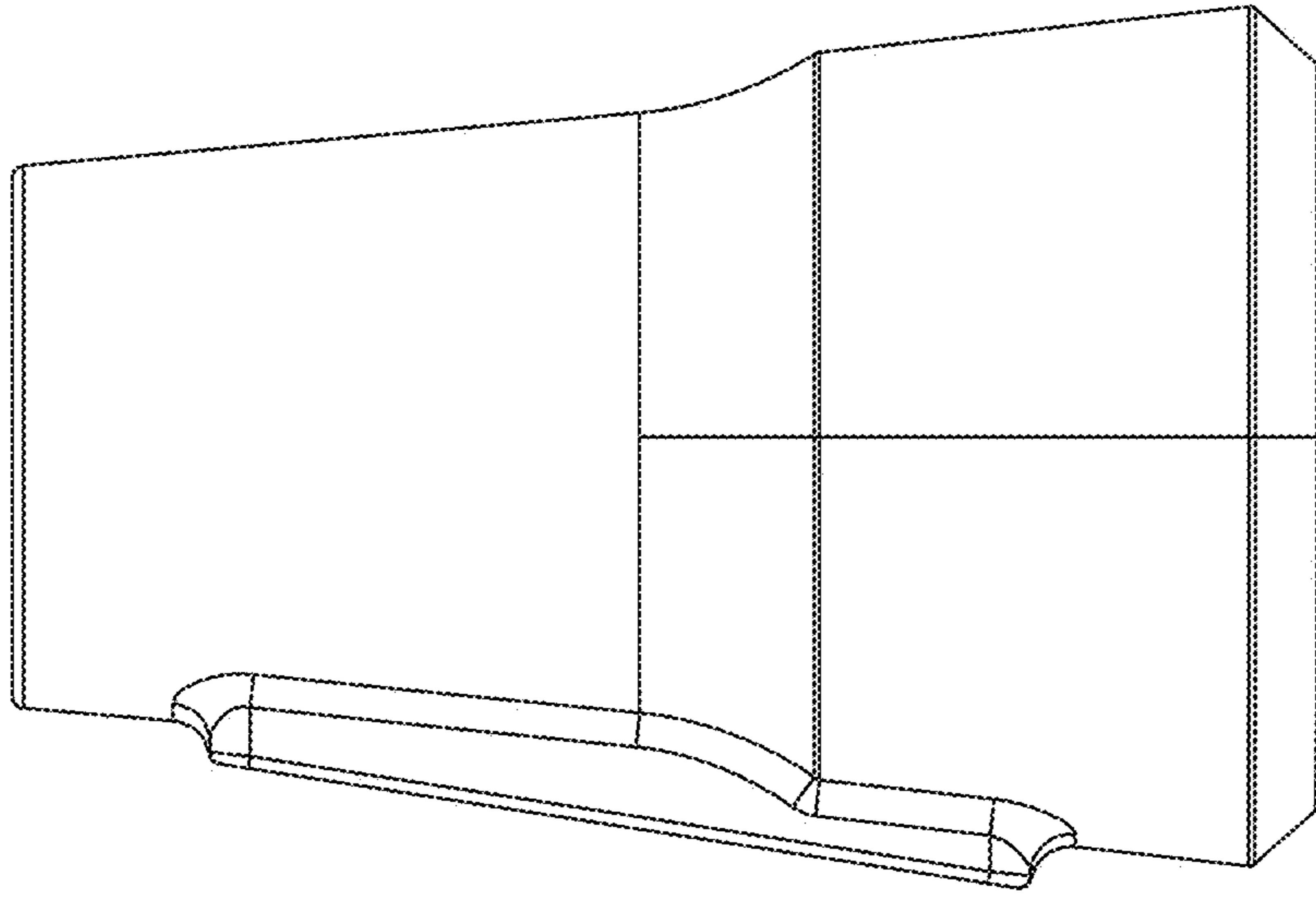


FIG. 6

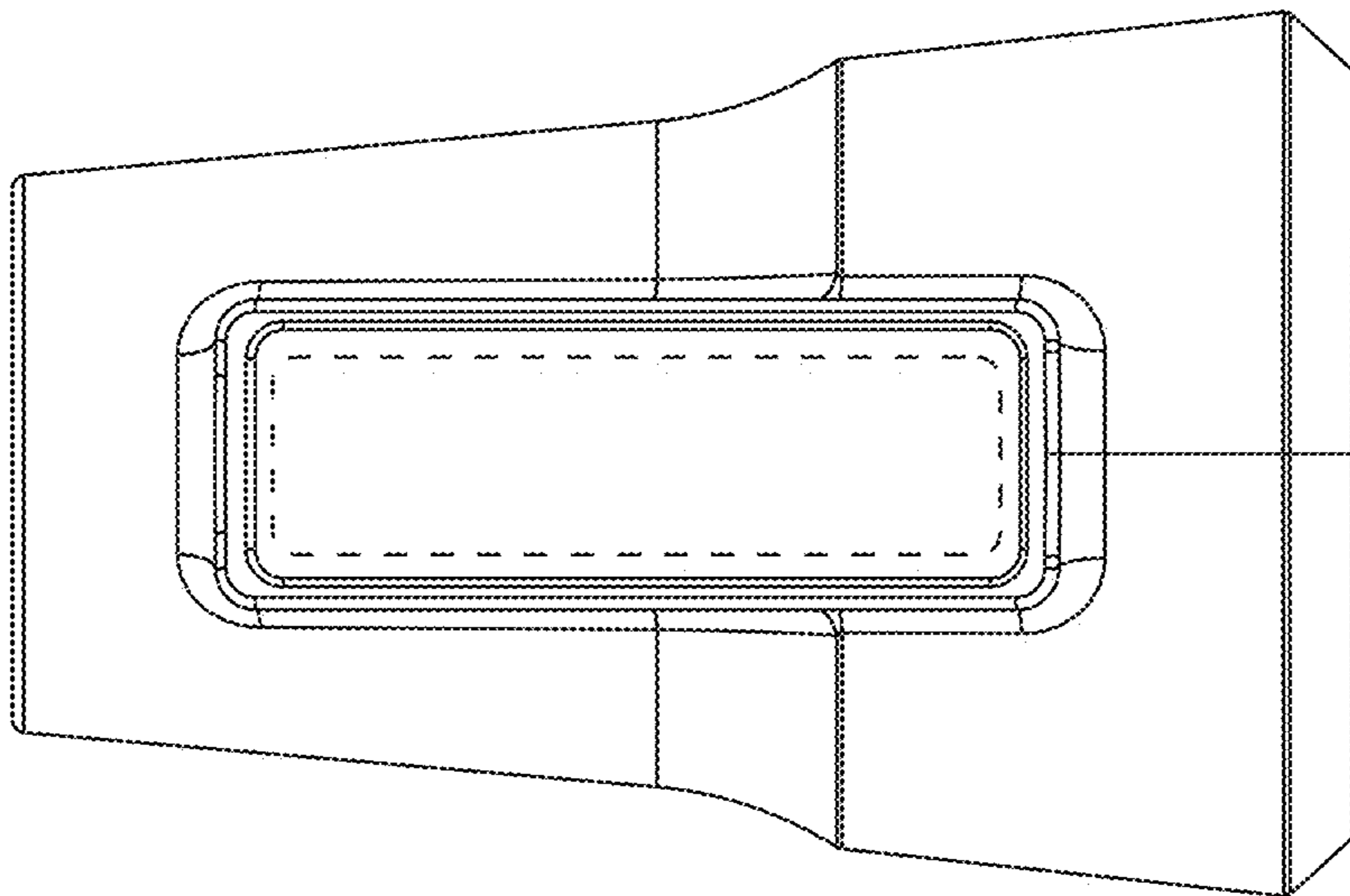


FIG. 5

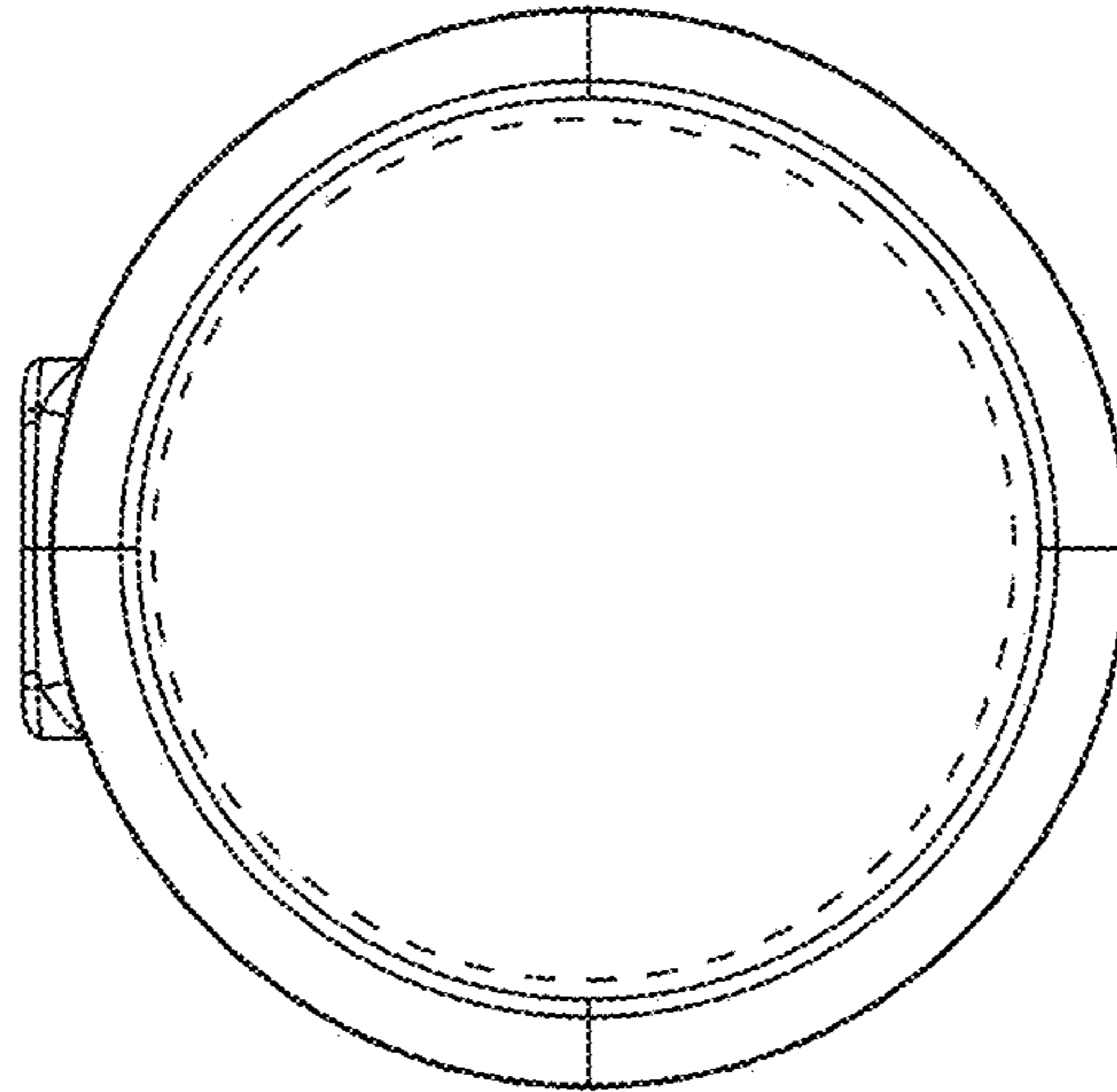


FIG. 8

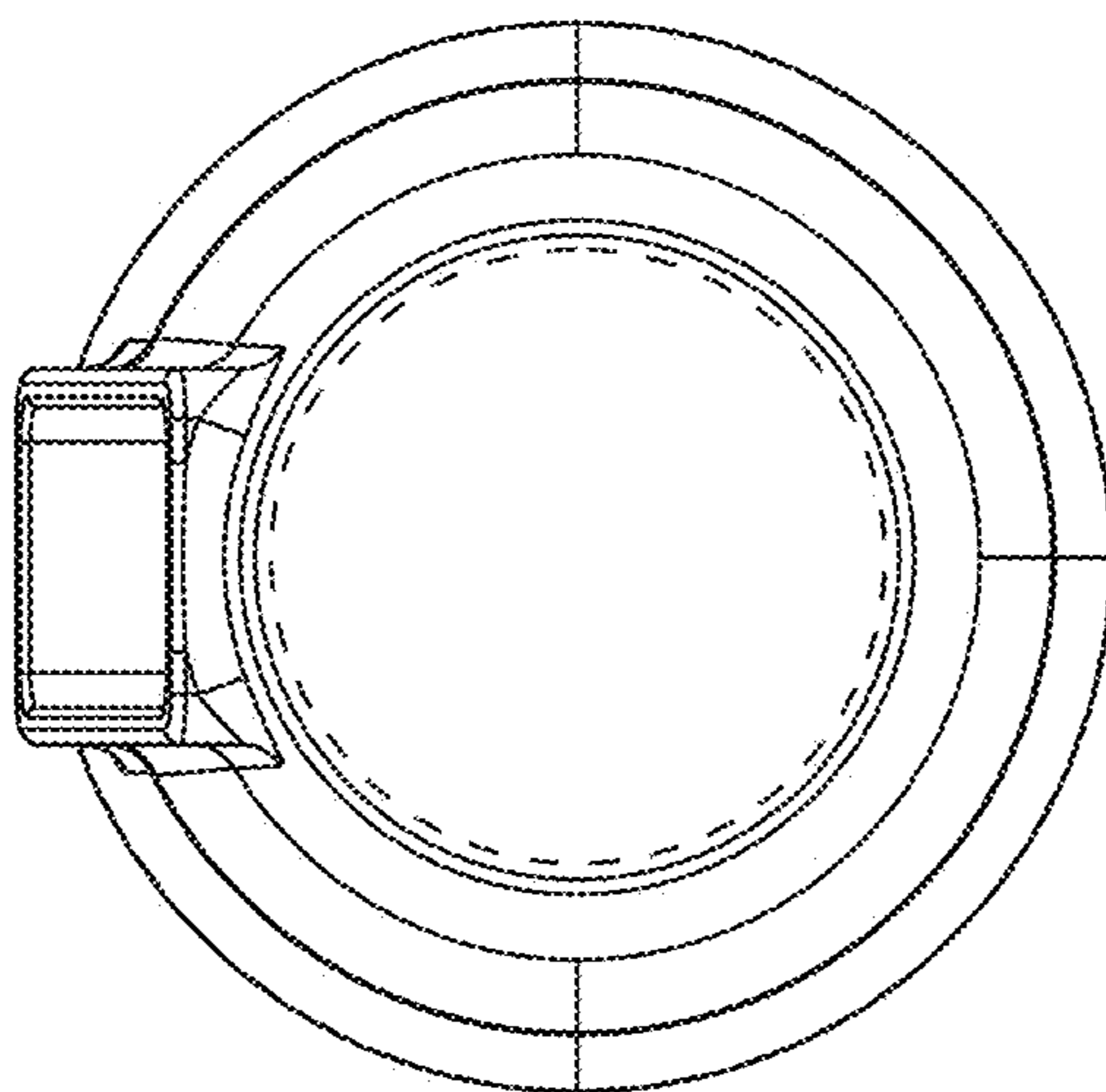


FIG. 7