



US00D978288S

(12) **United States Design Patent** (10) **Patent No.:** **US D978,288 S**
Eads (45) **Date of Patent:** **** Feb. 14, 2023**

- (54) **SPRAY WAND**
- (71) Applicant: **DELTA FAUCET COMPANY**,
Indianapolis, IN (US)
- (72) Inventor: **Thad Eads**, Urbana, IN (US)
- (73) Assignee: **DELTA FAUCET COMPANY**,
Indianapolis, IN (US)
- (**) Term: **15 Years**
- (21) Appl. No.: **29/732,465**
- (22) Filed: **Apr. 24, 2020**
- (51) **LOC (14) Cl.** **23-01**
- (52) **U.S. Cl.**
USPC **D23/226**
- (58) **Field of Classification Search**
USPC D23/206, 213–215, 223, 225–226, 229,
D23/232, 238, 243, 249–250, 283,
D23/270–274, 284–285
CPC B05B 1/16; B05B 1/1618; B05B 1/18;
B05B 1/185; F16K 31/60; E03C 1/04;
E03C 1/0404; E03C 1/06; E03C
2001/0414
See application file for complete search history.

| | | | | |
|--------------|---------|------------|-------|---------|
| D870,845 S * | 12/2019 | Eads | | D23/213 |
| D876,582 S * | 2/2020 | Eads | | D23/213 |
| D881,341 S * | 4/2020 | Garland | | D23/213 |
| D924,355 S * | 7/2021 | Diefenbach | | D23/213 |
| D939,048 S * | 12/2021 | Fritz | | D23/226 |
| D939,050 S * | 12/2021 | Staler | | D23/226 |
| D946,112 S * | 3/2022 | Elser | | D23/213 |
| D946,115 S * | 3/2022 | Staler | | D23/226 |
| D946,116 S * | 3/2022 | Elser | | D23/226 |
| D947,321 S * | 3/2022 | Staler | | D23/226 |
| D948,666 S * | 4/2022 | Miller | | D23/226 |
| D951,394 S * | 5/2022 | Witt | | D23/226 |
| D952,103 S * | 5/2022 | Staler | | D23/238 |
| D954,208 S * | 6/2022 | Eads | | D23/249 |
| D957,577 S * | 7/2022 | Upadhyaya | | D23/238 |
| D960,306 S * | 8/2022 | Eads | | D23/213 |

* cited by examiner

Primary Examiner — Karen S Acker
Assistant Examiner — Jonathan E Fiencke
(74) *Attorney, Agent, or Firm* — Jeffrey L. Doyle

(57) **CLAIM**

The ornamental design for a spray wand, as shown and described.

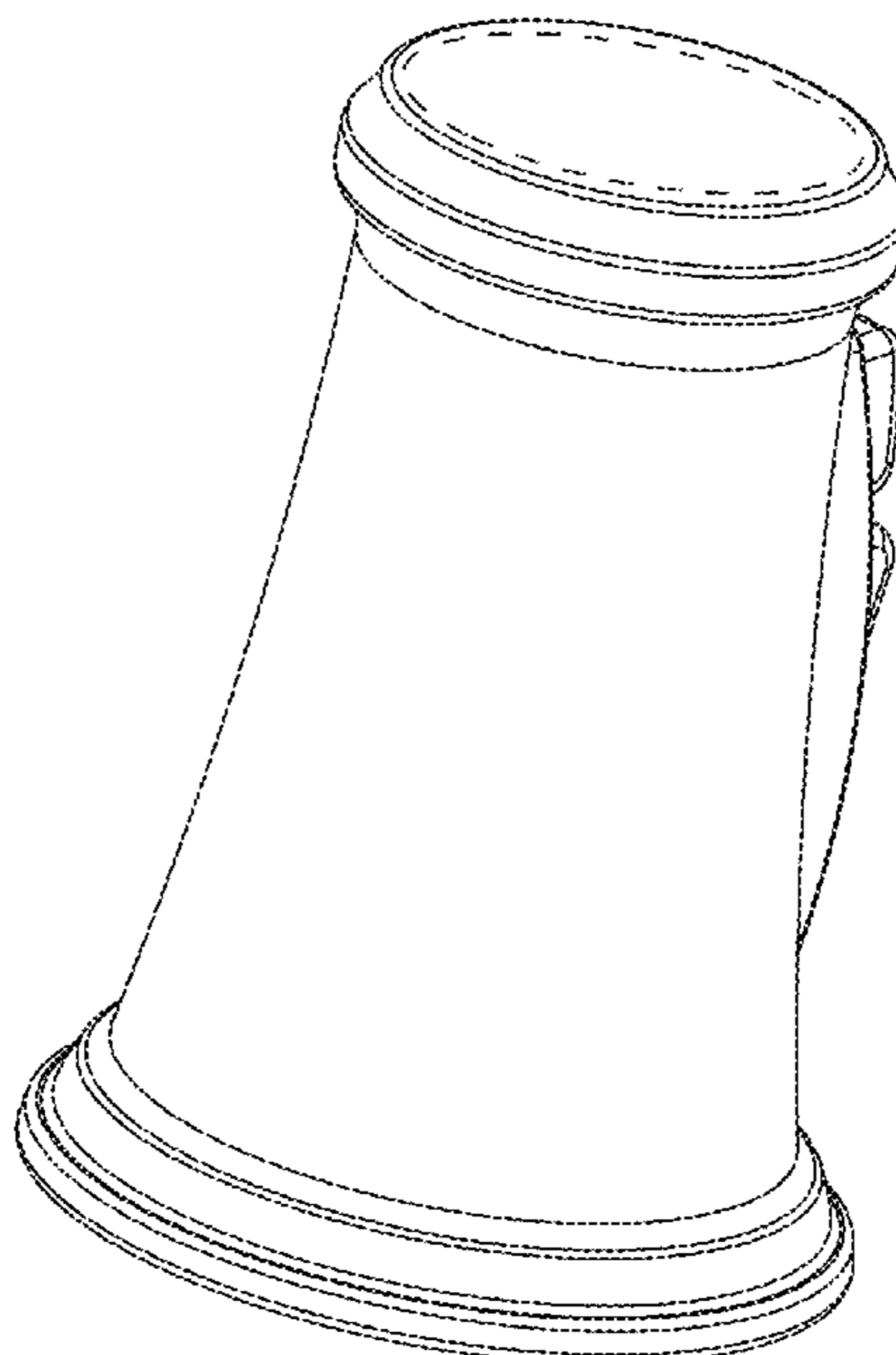
DESCRIPTION

FIG. 1 is a front perspective view of a spray wand showing my new design;
FIG. 2 is a rear perspective view thereof;
FIG. 3 is a front elevational view thereof;
FIG. 4 is a left side view thereof;
FIG. 5 is rear view thereof;
FIG. 6 is a right side view thereof;
FIG. 7 is a top plan view thereof; and,
FIG. 8 is a bottom view thereof.
The broken lines denote the boundaries of the claim and form no part thereof.

1 Claim, 4 Drawing Sheets

(56) **References Cited**
U.S. PATENT DOCUMENTS

| | | | | |
|--------------|---------|---------|-------|---------|
| D802,091 S * | 11/2017 | Bahler | | D23/257 |
| D866,707 S * | 11/2019 | Eads | | D23/213 |
| D867,522 S * | 11/2019 | Tentler | | D23/213 |
| D867,523 S * | 11/2019 | Tentler | | D23/213 |
| D867,524 S * | 11/2019 | Tentler | | D23/213 |
| D867,525 S * | 11/2019 | Eads | | D23/213 |
| D867,526 S * | 11/2019 | Garland | | D23/213 |
| D867,527 S * | 11/2019 | Eads | | D23/213 |
| D870,235 S * | 12/2019 | Tentler | | D23/213 |



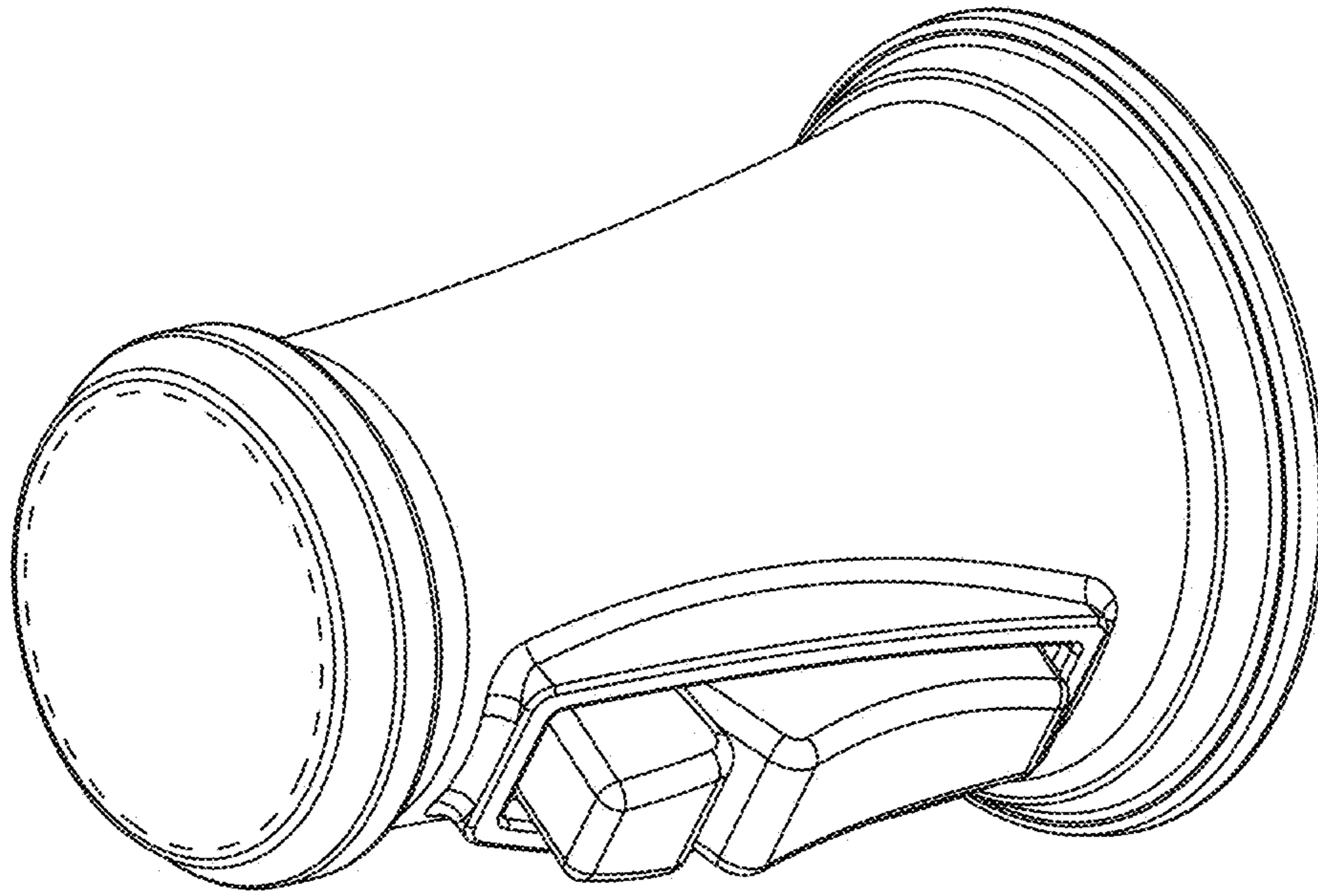


FIG. 2

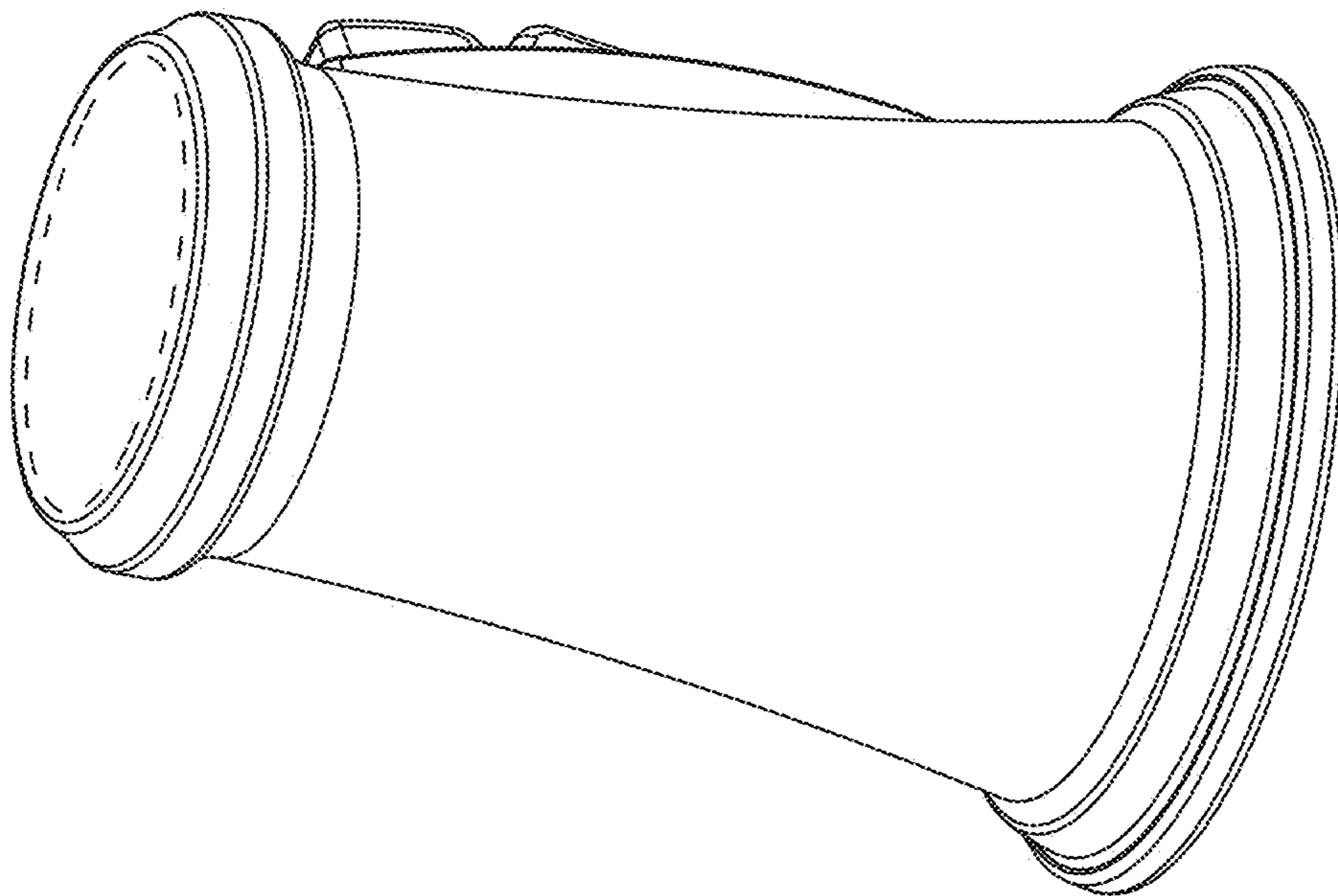


FIG. 1

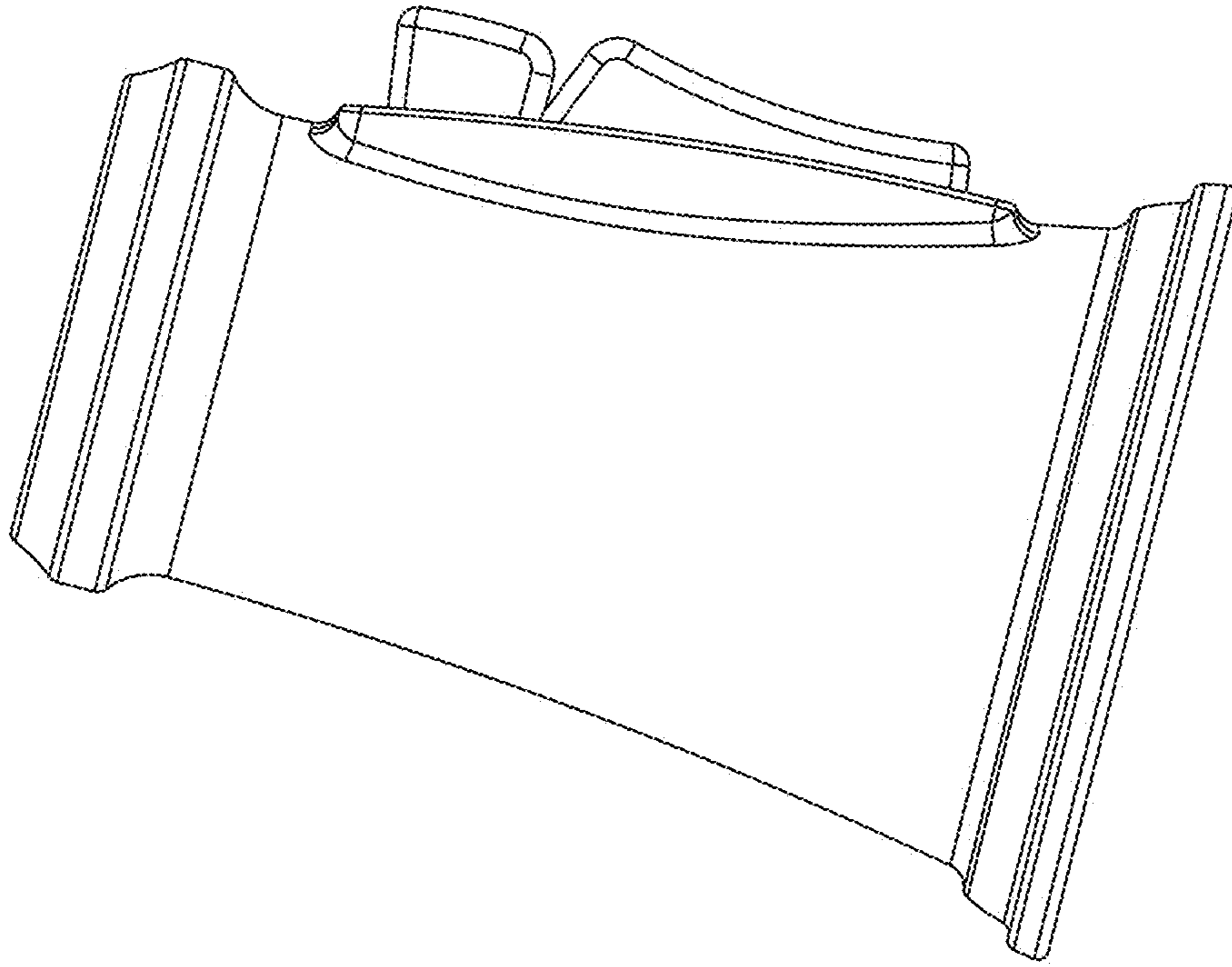


FIG. 4

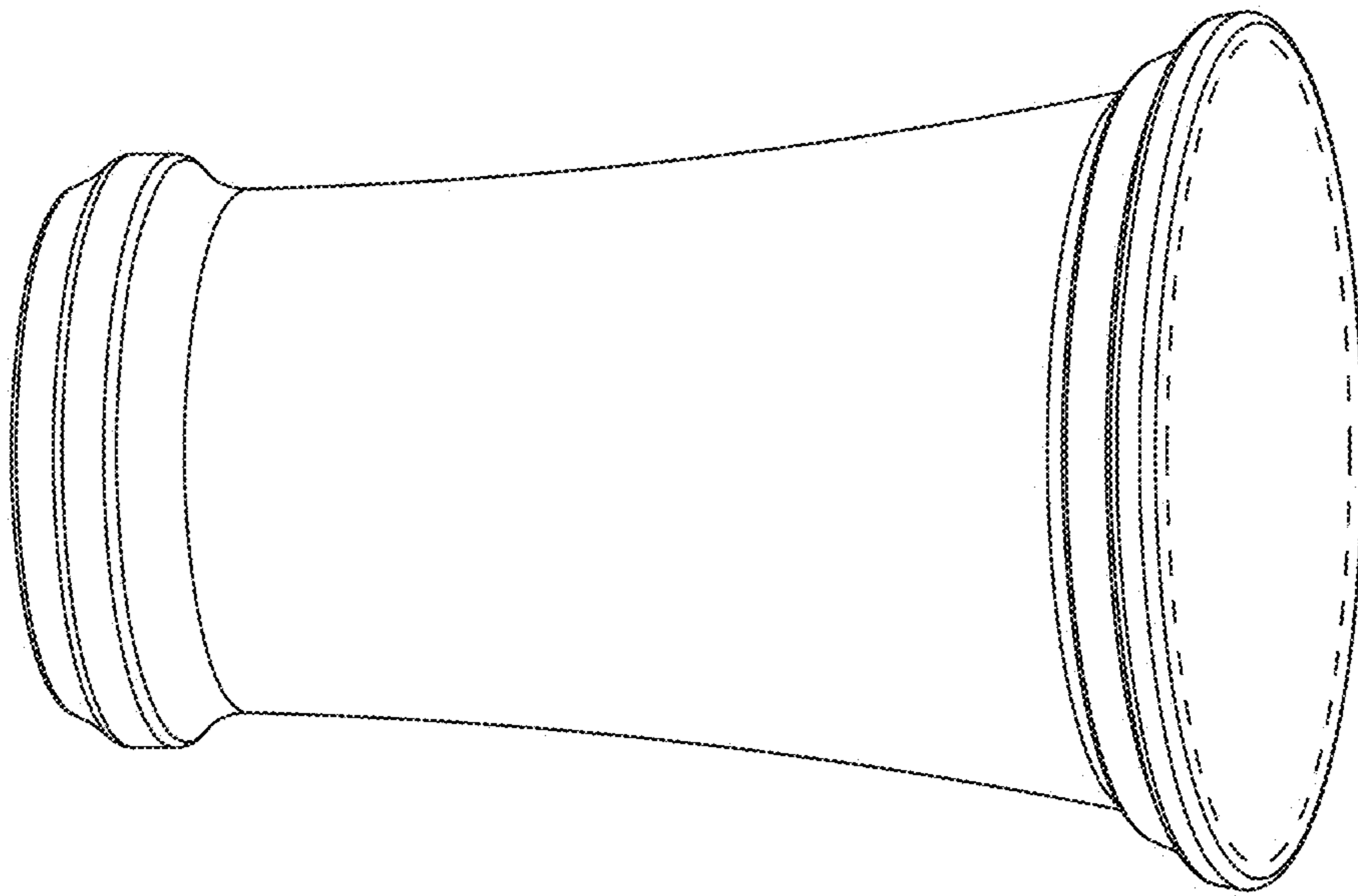


FIG. 3

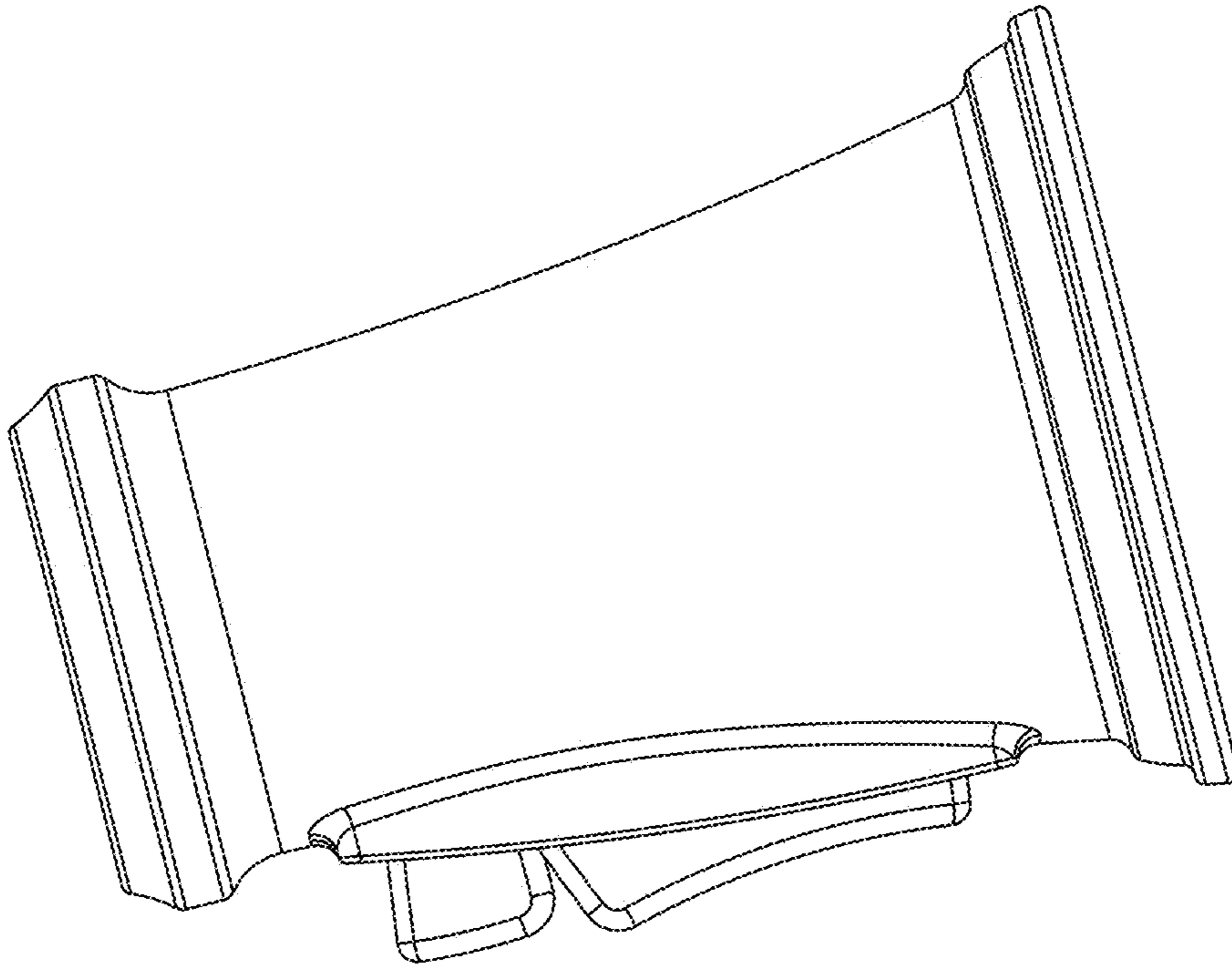


FIG. 6

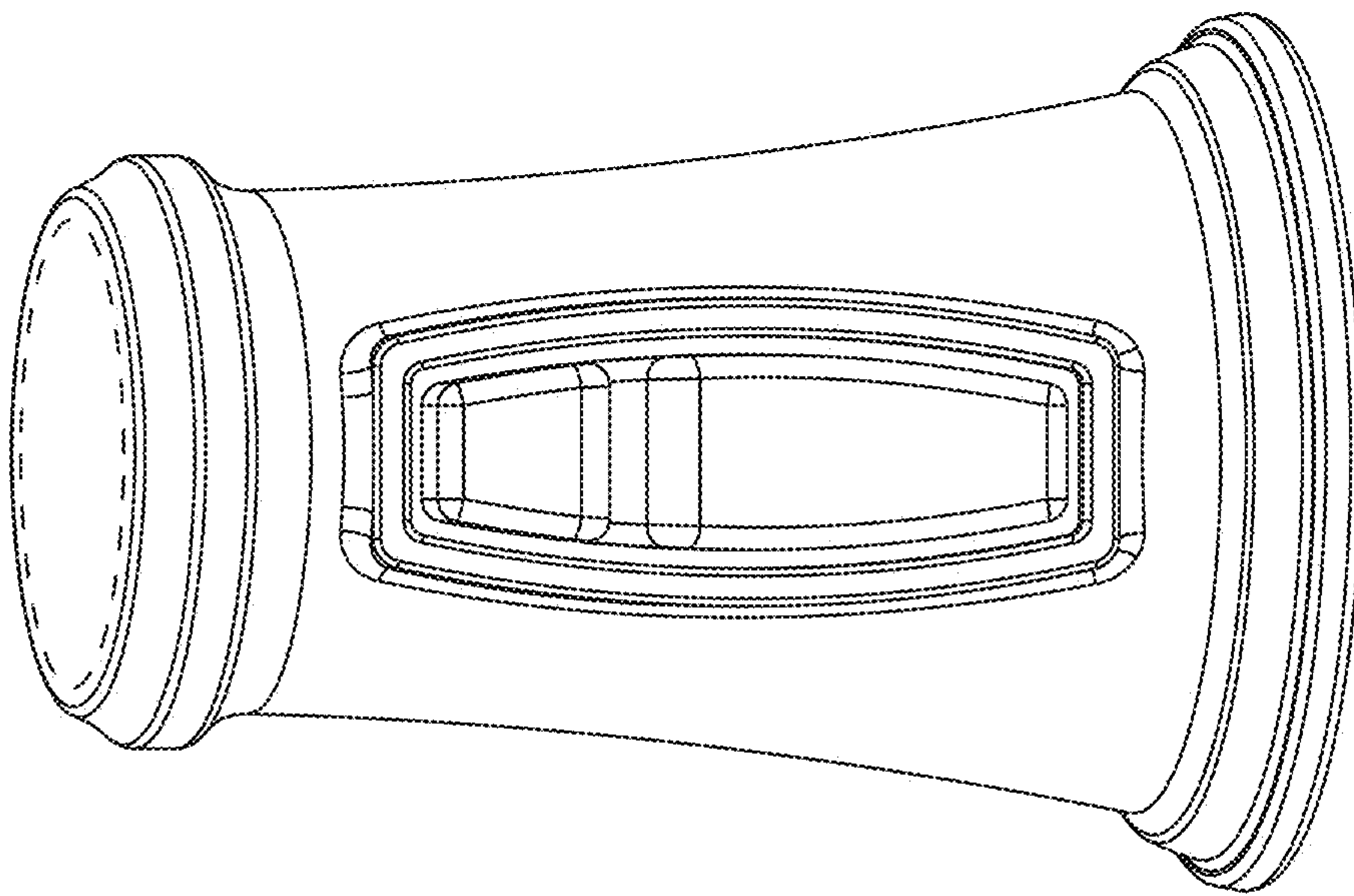


FIG. 5

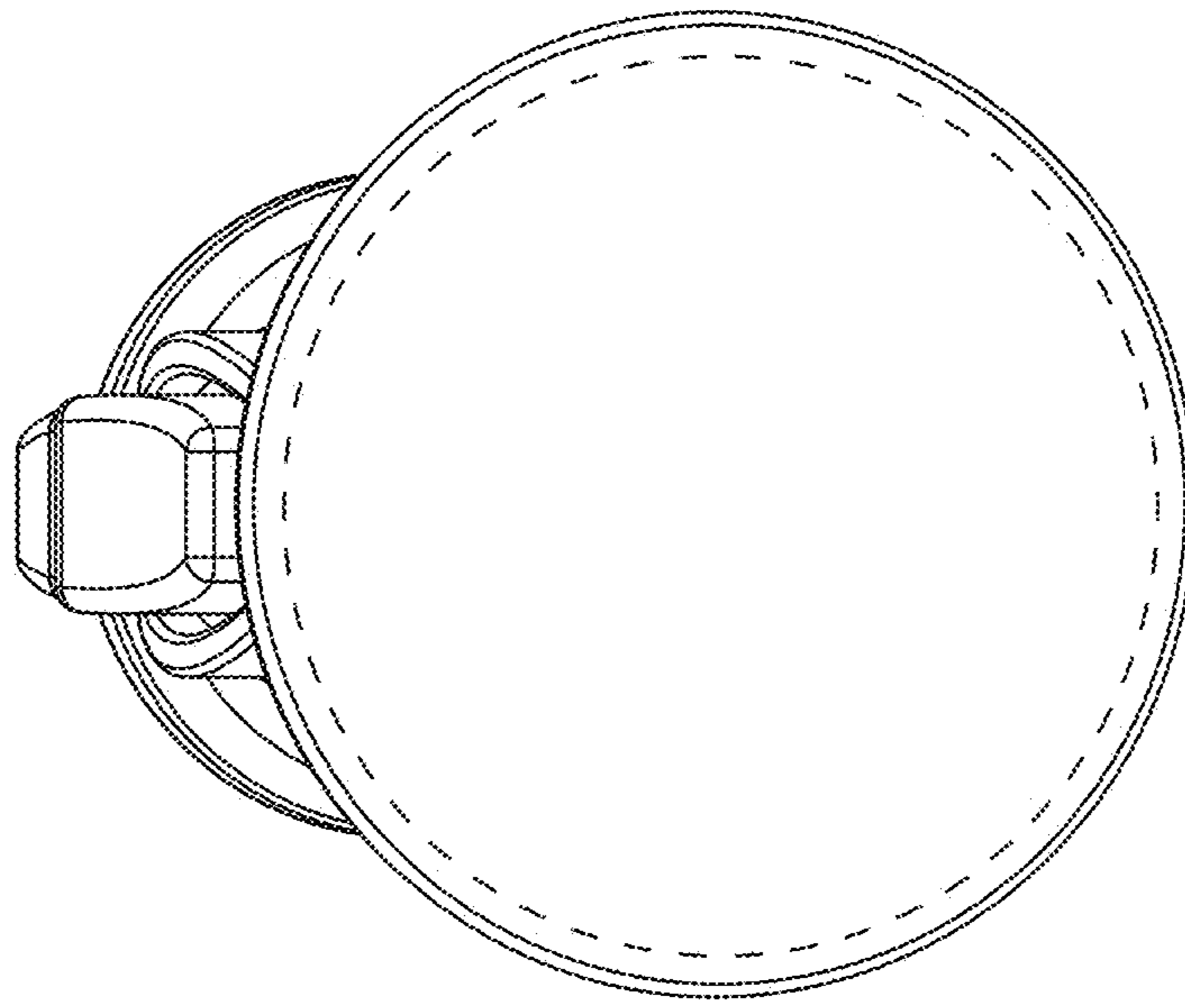


FIG. 8

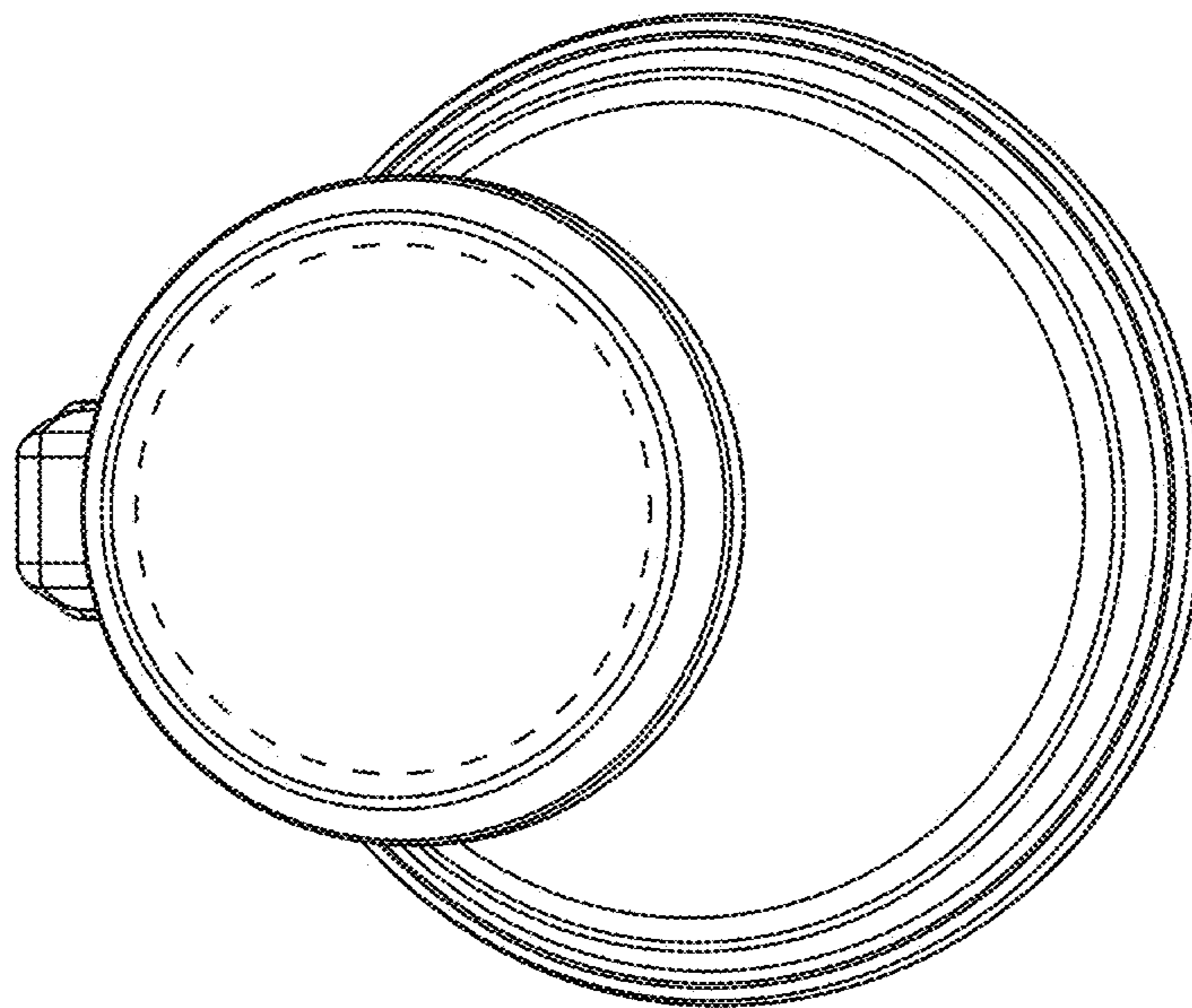


FIG. 7