



US00D978286S

(12) **United States Design Patent** (10) **Patent No.:** **US D978,286 S**
Li et al. (45) **Date of Patent:** **** Feb. 14, 2023**

(54) **SHOWER HEAD SYSTEM**
(71) Applicant: **XIAMEN DELMEI SANITARY WARE CO., LTD.**, Xiamen (CN)
(72) Inventors: **Wenjun Li**, Nanping (CN); **Weilong Luo**, Quanzhou (CN); **Chunhua Wang**, Xiamen (CN)

D707,330 S * 6/2014 Schoenherr D23/223
D713,004 S * 9/2014 Schoenherr D23/223
D713,496 S * 9/2014 Schoenherr D23/213
D718,418 S * 11/2014 Georgeson D23/213
D730,493 S * 5/2015 Sehl D23/261
D733,258 S * 6/2015 Sandee D23/223
D736,347 S * 8/2015 Tan D23/213
D737,931 S * 9/2015 Schoenherr D23/223
D737,932 S * 9/2015 Nikles D23/223

(Continued)

(73) Assignee: **XIAMEN DELMEI SANITARY WARE CO., LTD.**, Xiamen (CN)

OTHER PUBLICATIONS

(**) Term: **15 Years**

Rovate Thermostatic Shower Faucet Set, Nov. 27, 2019, amazon.ca, Oct. 27, 2022, URL: <https://www.amazon.ca/ROVATE-Thermostatic-Finished-Rainfall-Adjustable/dp/B0822KZPY3/> (Year: 2019).*

(21) Appl. No.: **29/798,256**

(Continued)

(22) Filed: **Jul. 7, 2021**

Primary Examiner — Keith J Wilson

(51) **LOC (14) Cl.** **23-01**

(52) **U.S. Cl.** **D23/223**
USPC **D23/223**

(57) **CLAIM**

(58) **Field of Classification Search**
USPC D23/213, 214, 215, 221–222, 223, 224,
D23/226, 229, 230

The ornamental design for a shower head system, as shown and described.

CPC A61H 9/0021; A61H 33/00; B05B 1/00;
B05B 1/14; B05B 1/185; B05B 1/08;
B05B 1/02; B05B 1/26; B05B 12/002;
B05B 1/18; B05B 9/01

DESCRIPTION

See application file for complete search history.

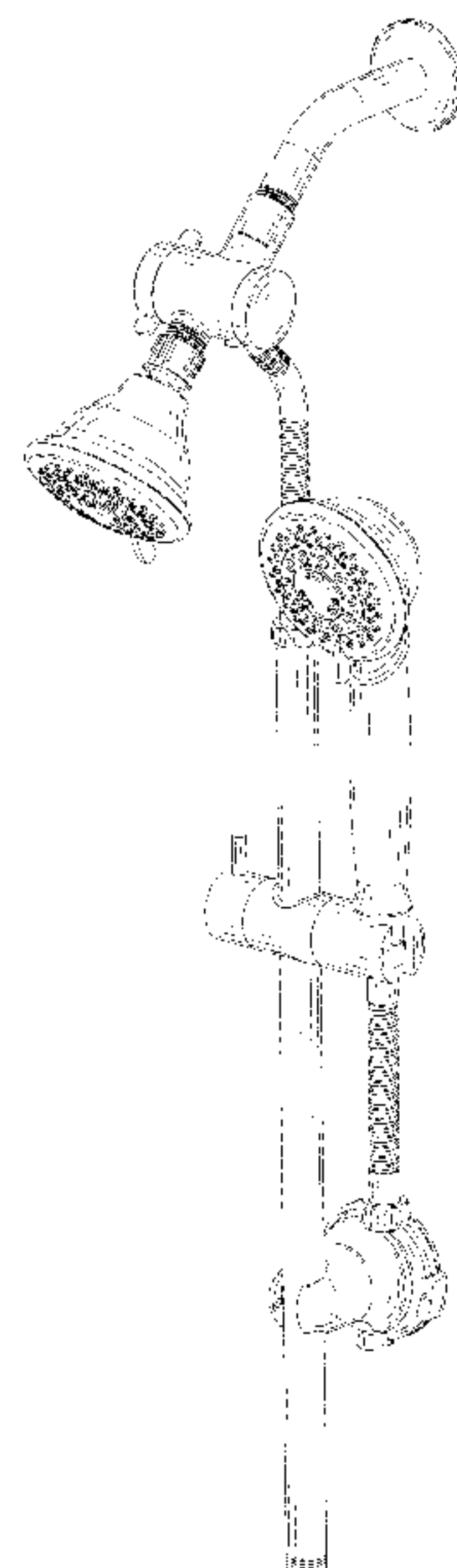
FIG. 1 is a perspective view of a shower head system showing our new design;
FIG. 2 is another perspective view thereof;
FIG. 3 is another perspective view thereof;
FIG. 4 is another perspective view thereof;
FIG. 5 is a front elevational view thereof;
FIG. 6 is a rear elevational view thereof;
FIG. 7 is a left side elevational view thereof;
FIG. 8 is a right side elevational view thereof;
FIG. 9 is a top plan view thereof;
FIG. 10 is a bottom plan view thereof; and,
FIG. 11 is an enlarged view of portion 11 shown in FIG. 3.
The broken lines in the drawings depict portions of the shower head system that form no part of the claimed design.

(56) **References Cited**

U.S. PATENT DOCUMENTS

D487,498 S * 3/2004 Blomstrom D23/213
D496,987 S * 10/2004 Glunk D23/213
D508,730 S * 8/2005 Blomstrom D23/229
D524,412 S * 7/2006 Blomstrom D23/229
D540,427 S * 4/2007 Bouroullec D23/213
D680,619 S * 4/2013 Zhadanov D23/223
D681,776 S * 5/2013 Cutler D23/223
D694,357 S * 11/2013 Brodey D23/213
D694,359 S * 11/2013 Schoenherr D23/213

1 Claim, 11 Drawing Sheets



(56)

References Cited

U.S. PATENT DOCUMENTS

D743,507 S * 11/2015 Georgeson D23/252
 D746,955 S * 1/2016 Corder D23/261
 D751,174 S * 3/2016 Schoenherr D23/213
 D752,711 S * 3/2016 Georgeson D23/213
 D757,895 S * 5/2016 Schoenherr D23/213
 D758,532 S * 6/2016 Schoenherr D23/213
 9,387,495 B2 * 7/2016 Schumacher B05B 1/30
 D778,404 S * 2/2017 Schoenherr D23/223
 D779,038 S * 2/2017 Hanna D23/223
 D779,039 S * 2/2017 Hanna D23/223
 D791,277 S * 7/2017 Eads D23/213
 D801,475 S * 10/2017 Naslund D23/213
 D803,350 S * 11/2017 Tian D23/213
 D808,499 S * 1/2018 Naslund D23/213
 D809,094 S * 1/2018 Naslund D23/213
 D810,233 S * 2/2018 Winter D23/213
 D810,861 S * 2/2018 Weaver D23/213
 D811,524 S * 2/2018 Bossini D23/223
 D813,348 S * 3/2018 Bossini D23/213

D820,388 S * 6/2018 Seum D23/213
 D820,949 S * 6/2018 Reinecker D23/213
 D821,542 S * 6/2018 Reinecker D23/213
 D824,485 S * 7/2018 Montoya D23/213
 D828,491 S * 9/2018 Schoenherr D23/213
 D833,575 S * 11/2018 Soulier D23/223
 D839,384 S * 1/2019 Svendsen D23/213
 D840,503 S * 2/2019 Stein D23/213
 D841,121 S * 2/2019 Kiefer D23/213
 D841,125 S * 2/2019 Lai D23/223
 D842,429 S * 3/2019 Huang D23/213
 D842,430 S * 3/2019 Huang D23/213
 D842,431 S * 3/2019 Cacka D23/213
 D842,967 S * 3/2019 Farley D23/213

OTHER PUBLICATIONS

Yuesimate Brass Matte Black Shower Faucet Set Shower System,
 Jun. 8, 2021, amazon.ca, Oct. 27, 2022, URL: <https://www.amazon.ca/dp/B096VD6ZLX/> (Year: 2021).*

* cited by examiner

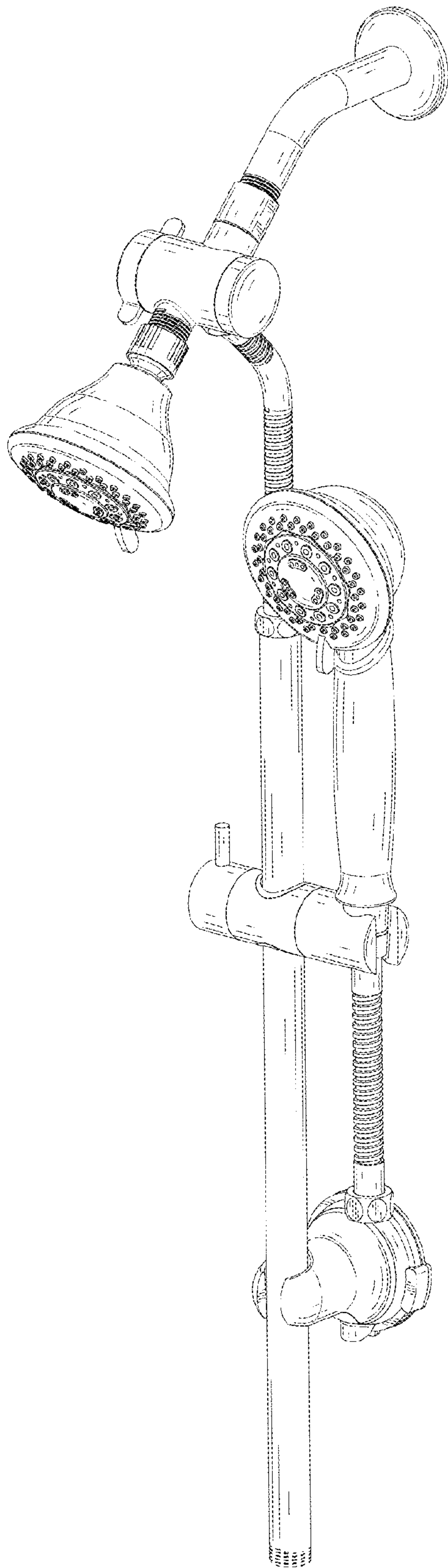


FIG. 1

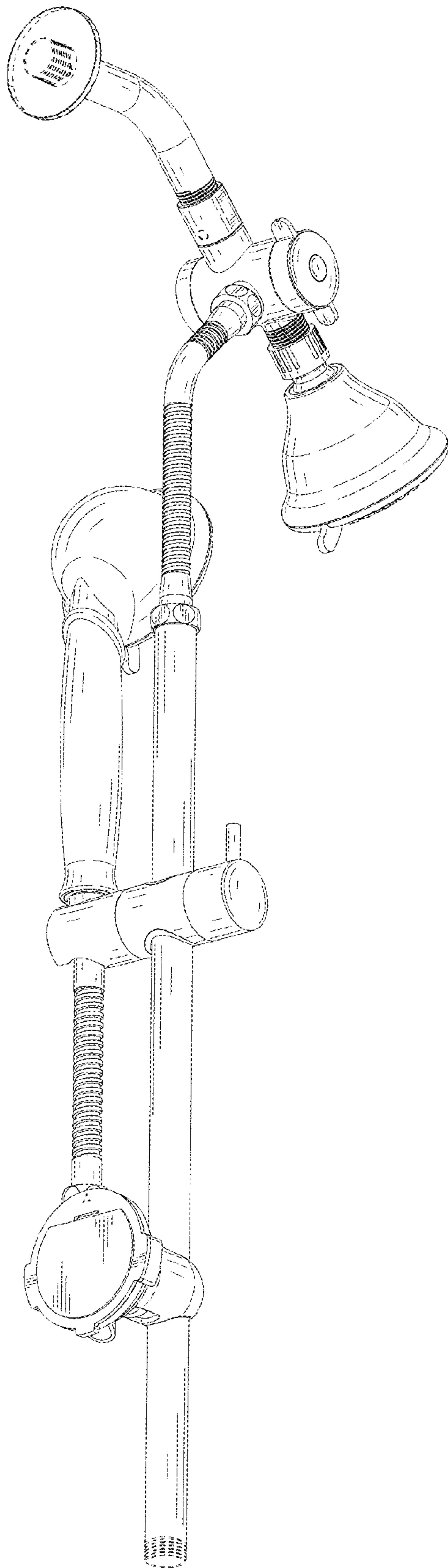


FIG. 2

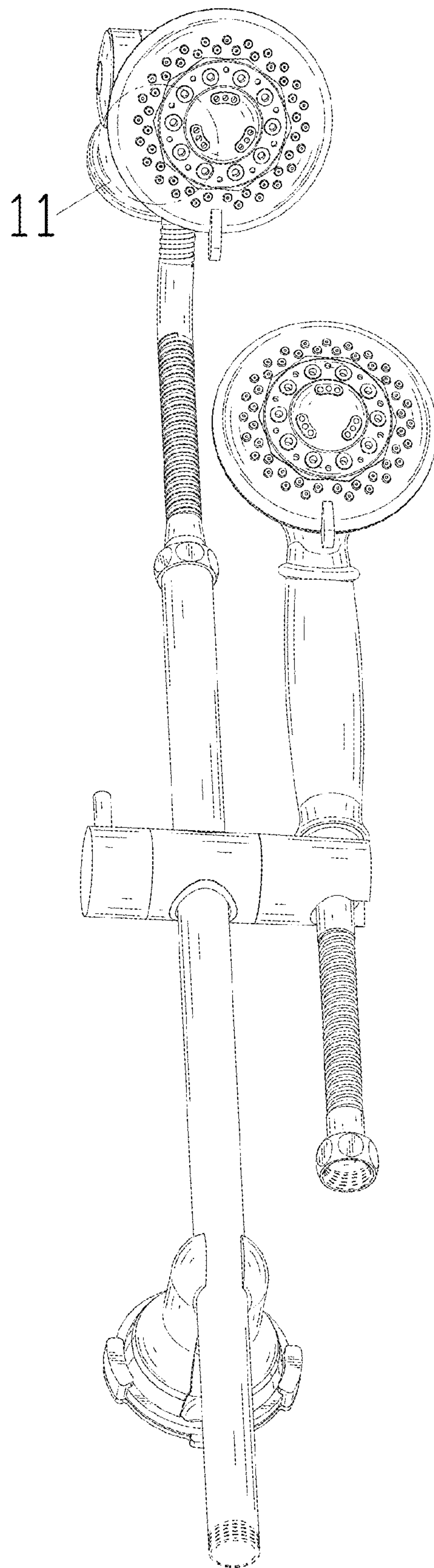


FIG. 3

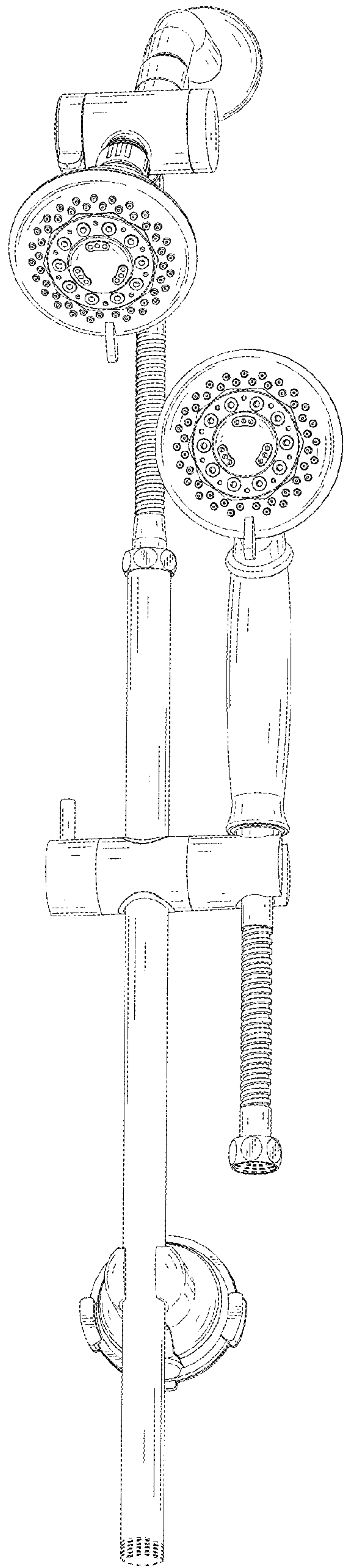


FIG. 4

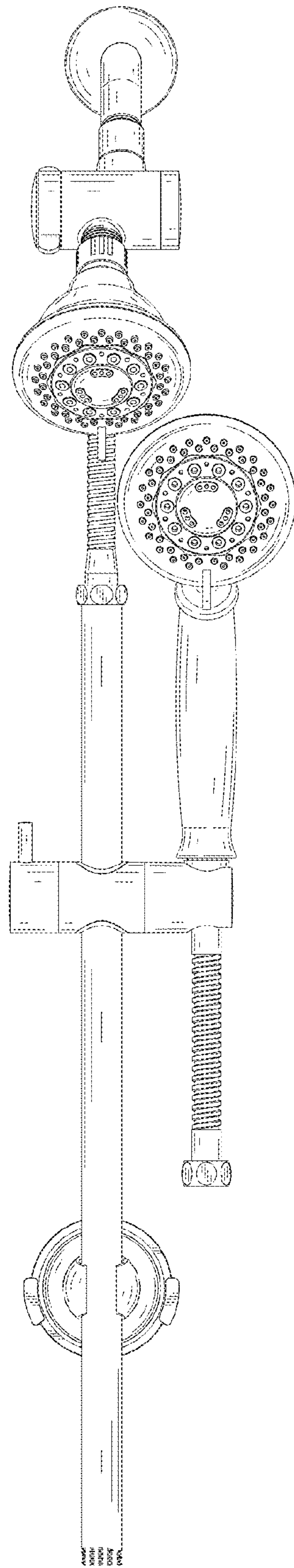


FIG. 5

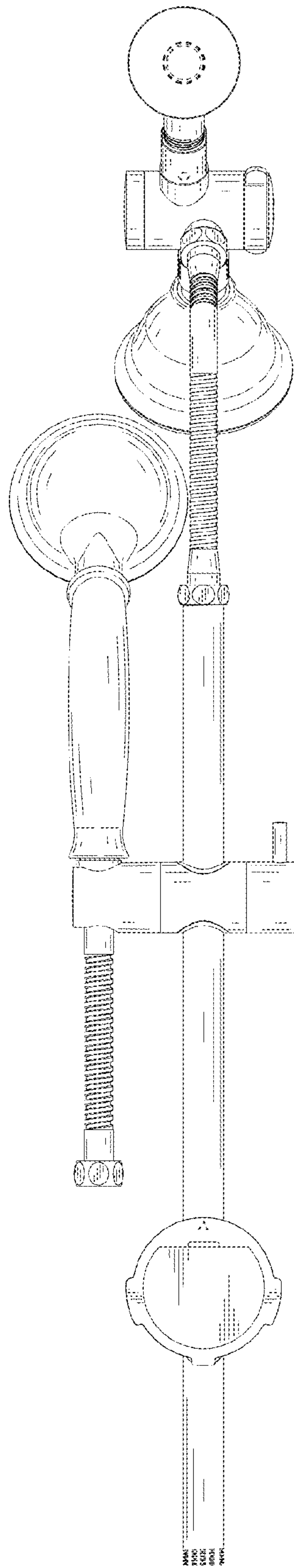


FIG. 6

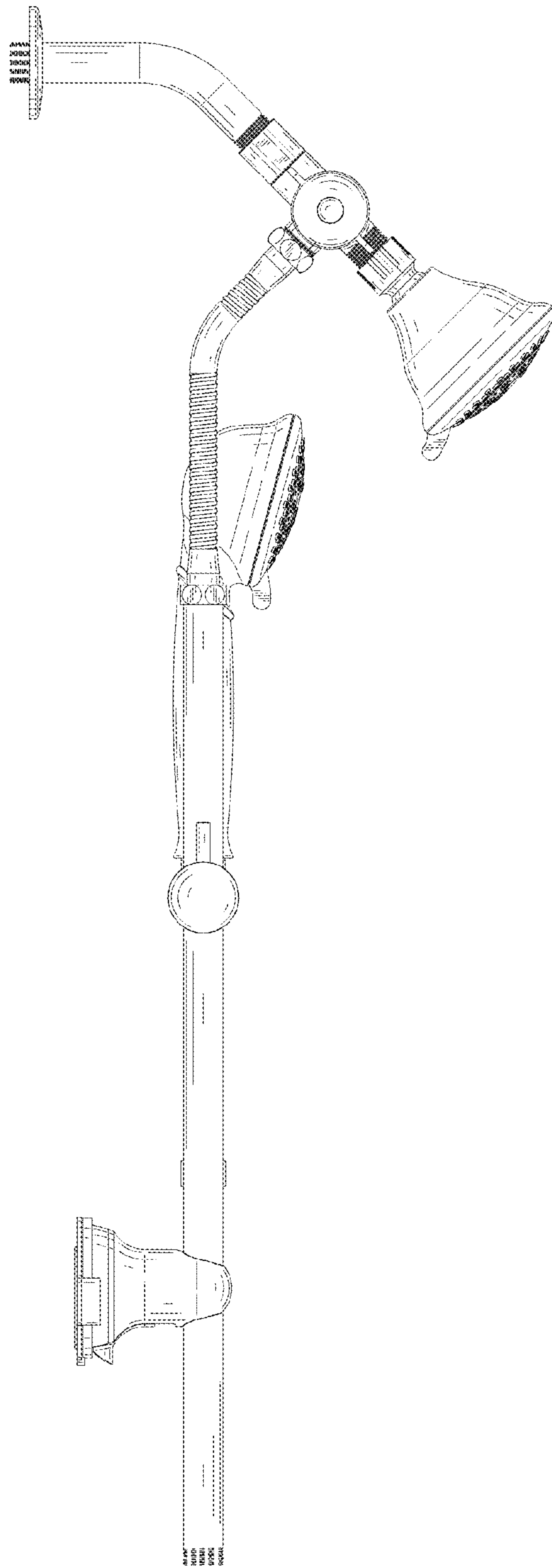


FIG. 7

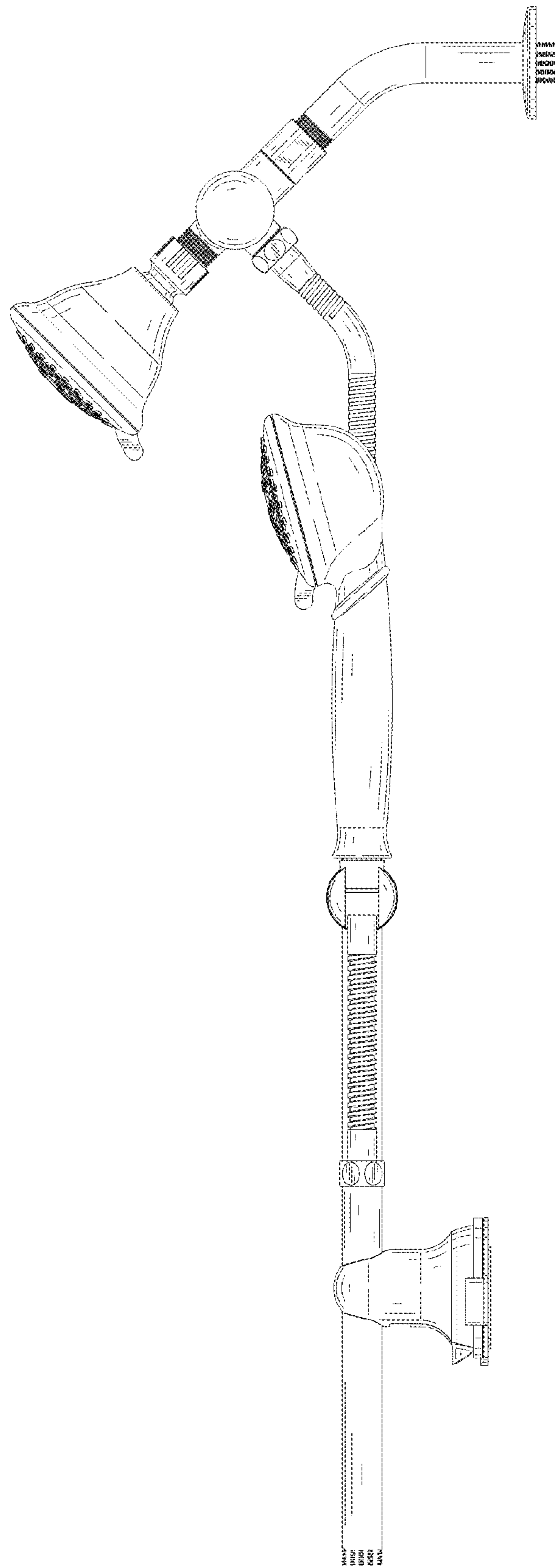


FIG. 8

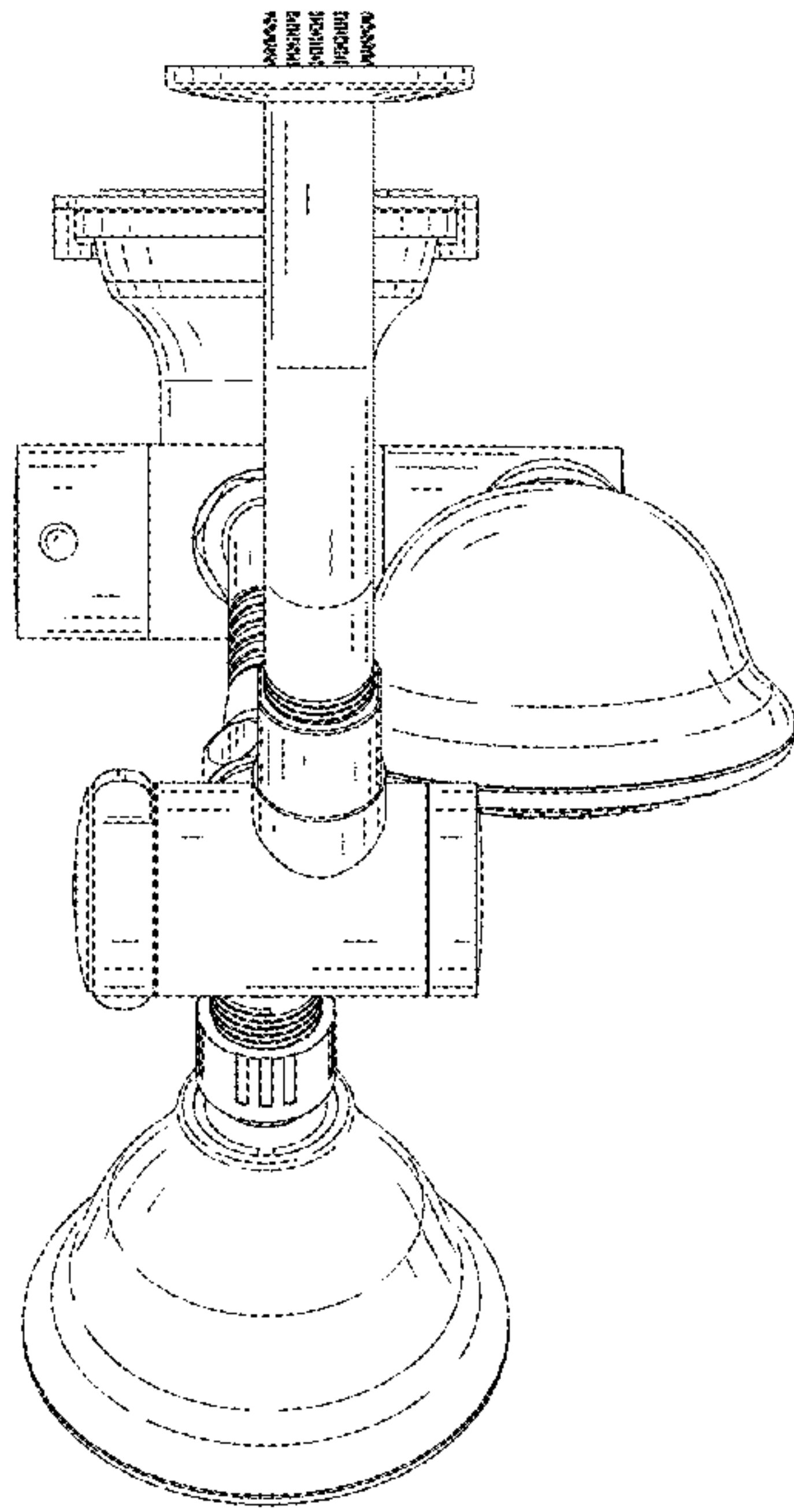


FIG. 9

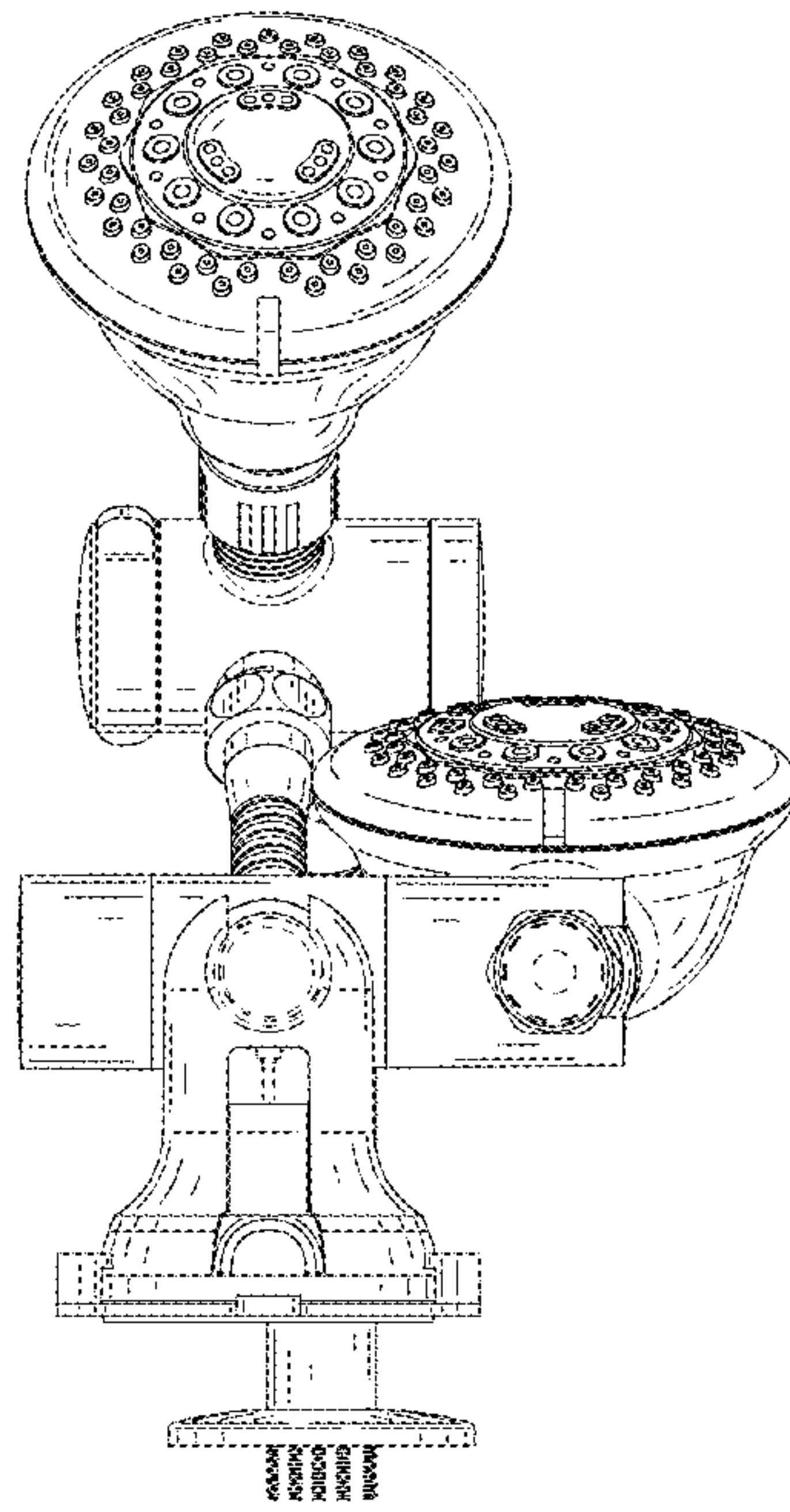


FIG. 10

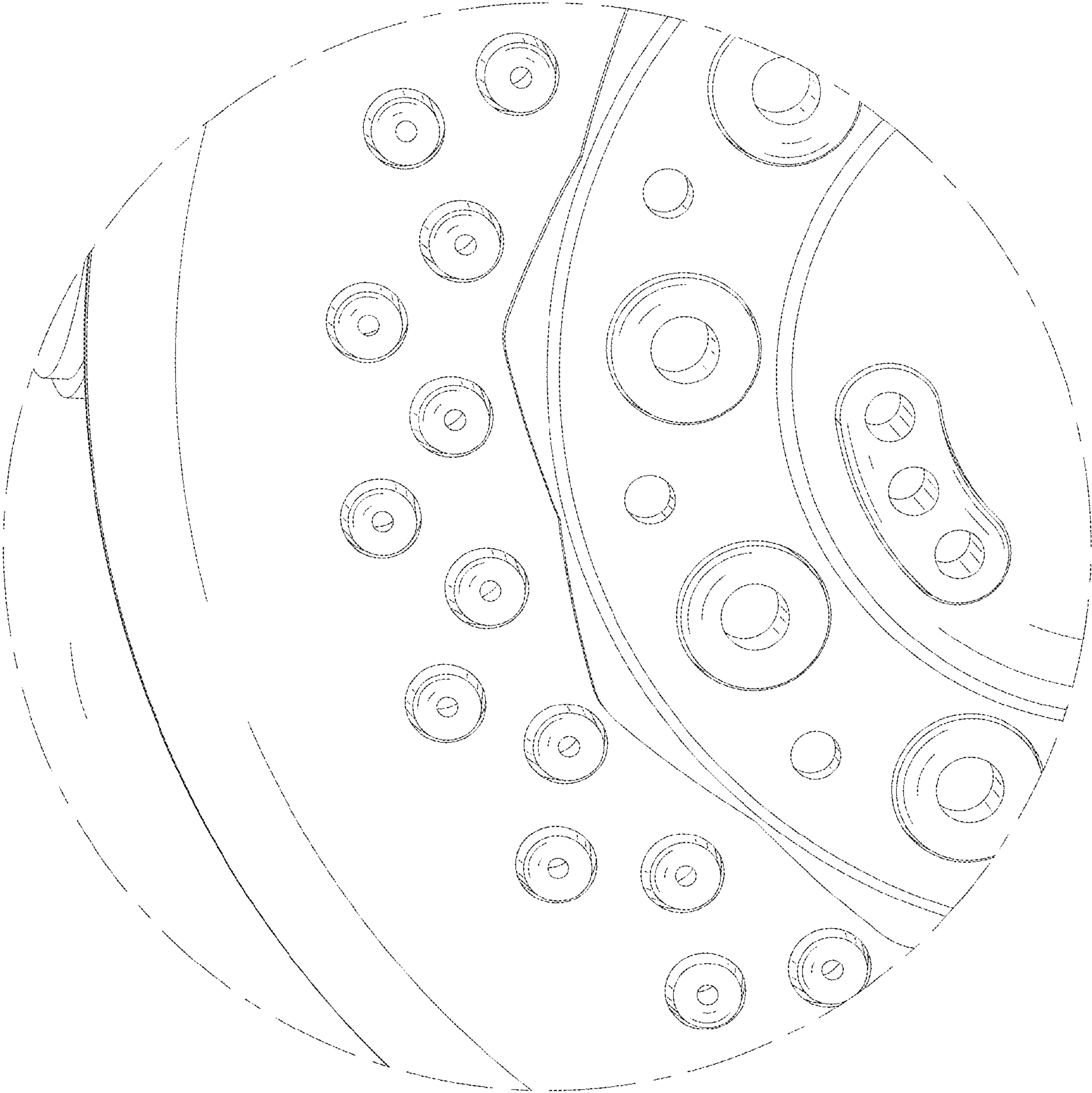


FIG. 11