



US00D978283S

(12) **United States Design Patent** (10) **Patent No.:** **US D978,283 S**
Tanaka (45) **Date of Patent:** **** Feb. 14, 2023**

(54) **FILTER**

(56) **References Cited**

(71) Applicant: **SMC CORPORATION**, Chiyoda-ku (JP)

U.S. PATENT DOCUMENTS

(72) Inventor: **Takayuki Tanaka**, Tsukuba (JP)

D844,108 S *	3/2019	Ito	D23/235
D850,579 S *	6/2019	Ito	D23/209
D888,886 S *	6/2020	Tanaka	D23/209
D890,297 S *	7/2020	Tanaka	D23/209
D892,975 S *	8/2020	Tanaka	D23/209
D893,674 S *	8/2020	Tanaka	D23/209
D894,330 S *	8/2020	Tanaka	D23/209
D894,331 S *	8/2020	Tanaka	D23/209

(73) Assignee: **SMC CORPORATION**, Chiyoda-ku (JP)

(**) Term: **15 Years**

* cited by examiner

(21) Appl. No.: **29/738,542**

Primary Examiner — Gino Colan

(22) Filed: **Jun. 18, 2020**

Assistant Examiner — David OBrien

(30) **Foreign Application Priority Data**

(74) *Attorney, Agent, or Firm* — Oblon, McClelland, Maier & Neustadt, L.L.P.

Jan. 7, 2020 (JP) 2020-000143 D

(57) **CLAIM**

The ornamental design for a filter, as shown and described.

(51) **LOC (14) Cl.** **23-01**

DESCRIPTION

(52) **U.S. Cl.**

USPC **D23/209**

(58) **Field of Classification Search**

USPC D7/300.1, 313; D14/228; D15/7; D23/207–209, 213, 223, 233, 235, D23/259–269, 364–366; D24/108, 112, D24/129

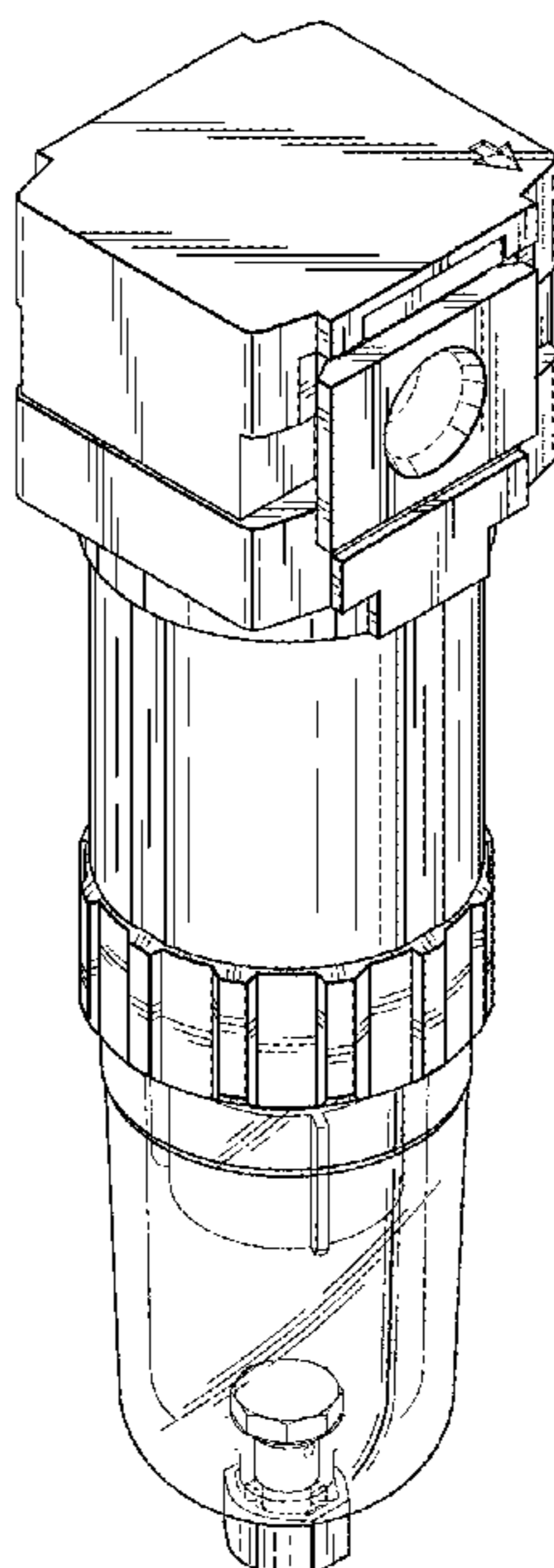
CPC . F17C 1/00; F17C 5/06; A61M 11/02; A61M 11/041; A61L 9/00; A61L 9/03; A61L 9/12; A61L 9/122; A61L 2209/11; A61L 2209/14; A61L 2209/133; Y10S 261/17; Y10S 261/88; Y10S 261/89; B01D 27/08; B01D 35/02; B01D 35/30; B01D 35/005; B01D 2201/302; B01D 46/10; B01D 46/2411; B01D 46/0005; C02F 1/42; C02F 1/0003

FIG. 1 is a front, top, and right side perspective view of a filter showing the new design;
FIG. 2 is a rear, bottom, and left side perspective view thereof;
FIG. 3 is a front elevational view thereof;
FIG. 4 is a rear elevational view thereof;
FIG. 5 is a top plan view thereof;
FIG. 6 is a bottom plan view thereof;
FIG. 7 is a left side elevational view thereof;
FIG. 8 is a right side elevational view thereof; and,
FIG. 9 is a cross-sectional view taken along line 9-9 in FIG. 3.

The broken lines shown in the figures are for the purpose of illustrating portions of the filter and form no part of the claimed design.

See application file for complete search history.

1 Claim, 8 Drawing Sheets



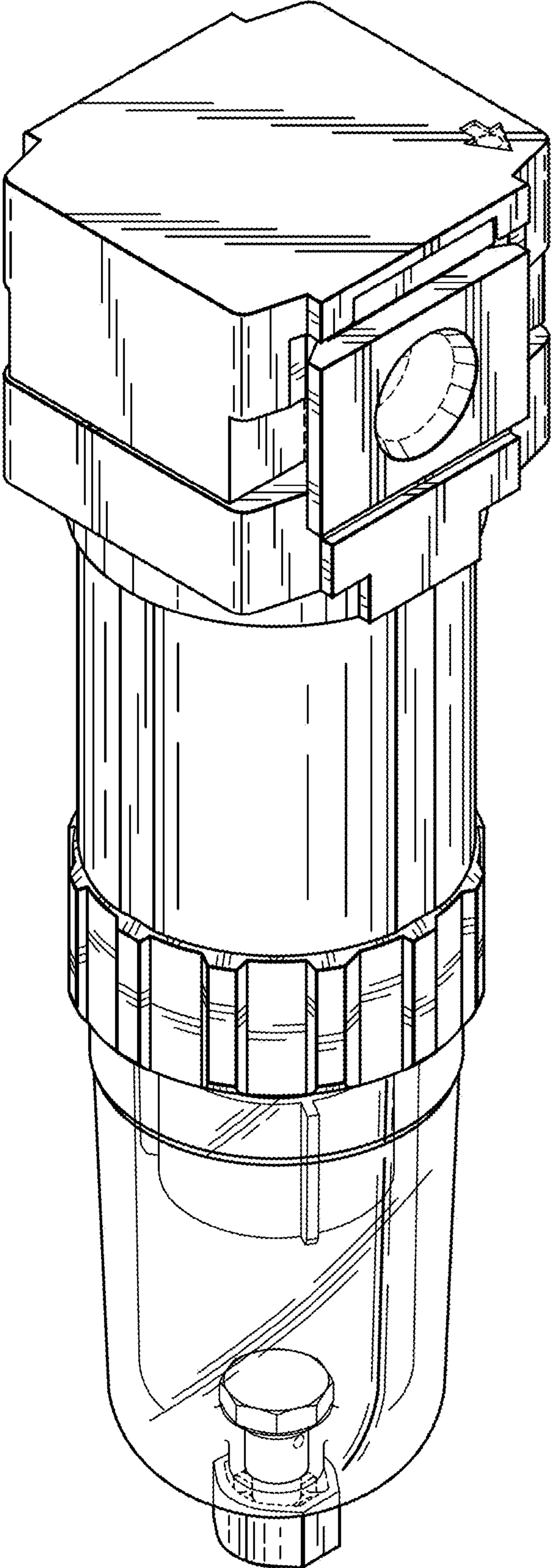


FIG. 1

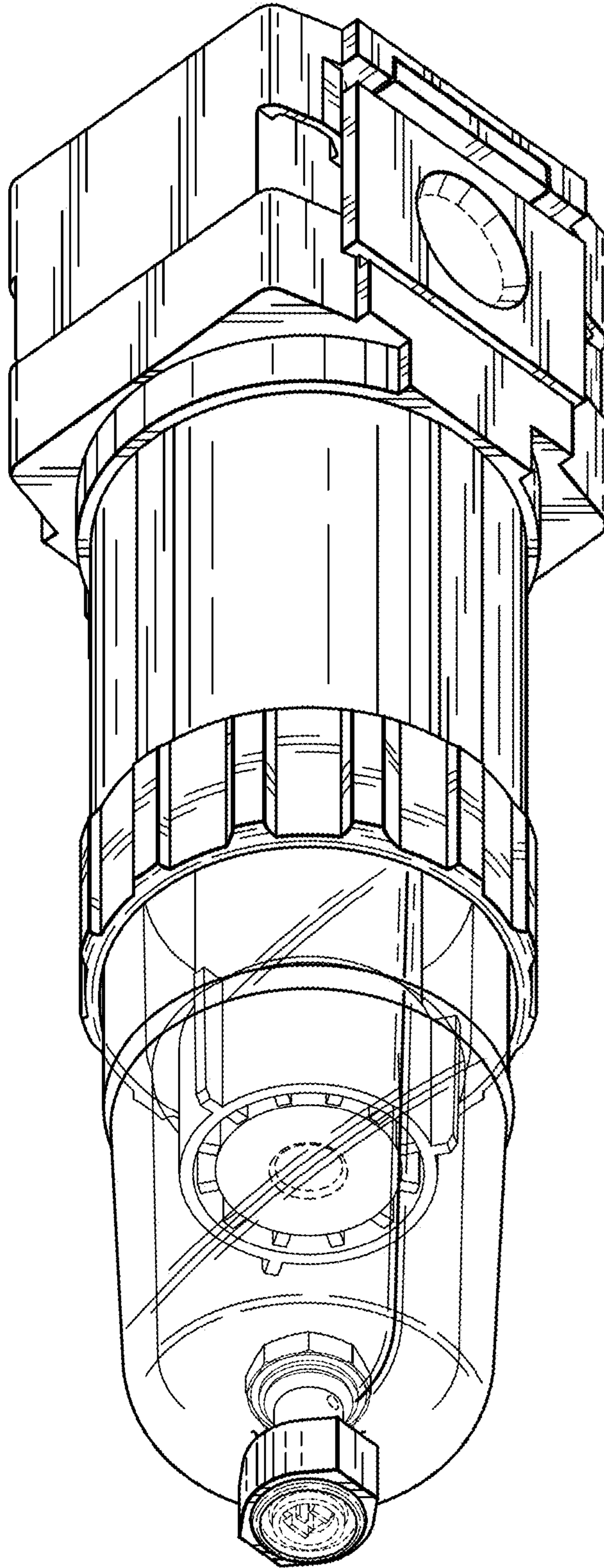


FIG. 2

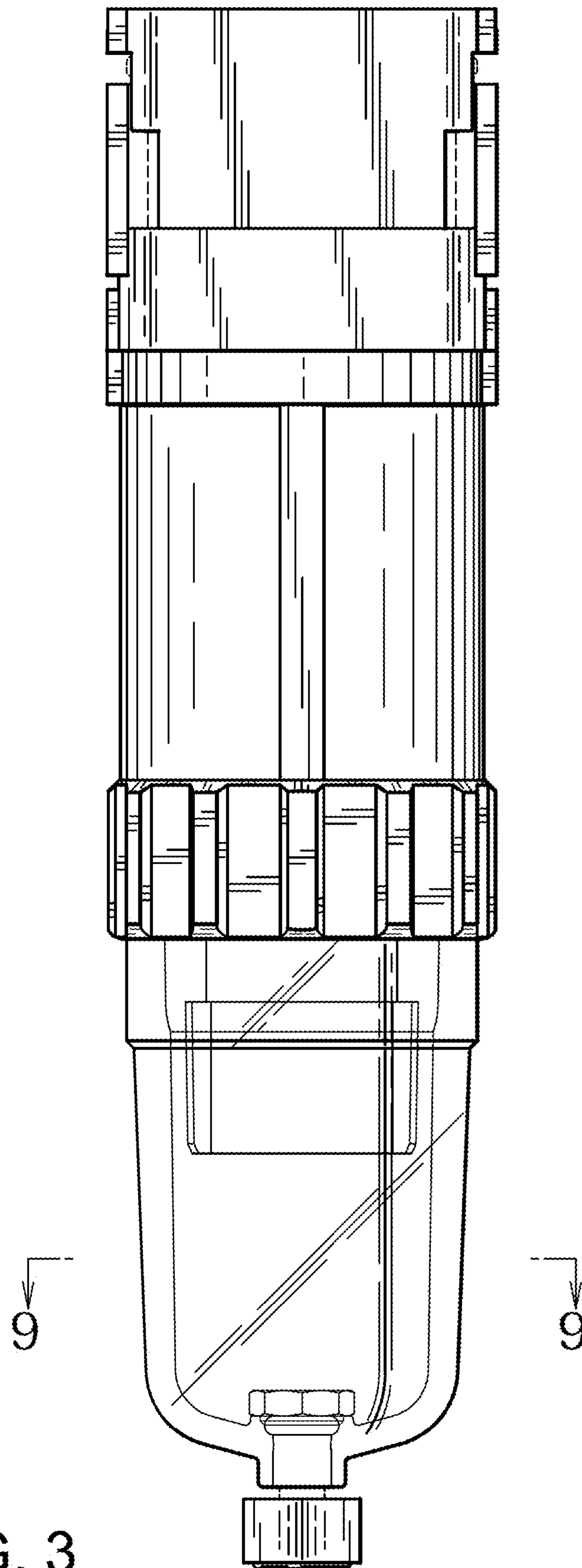


FIG. 3

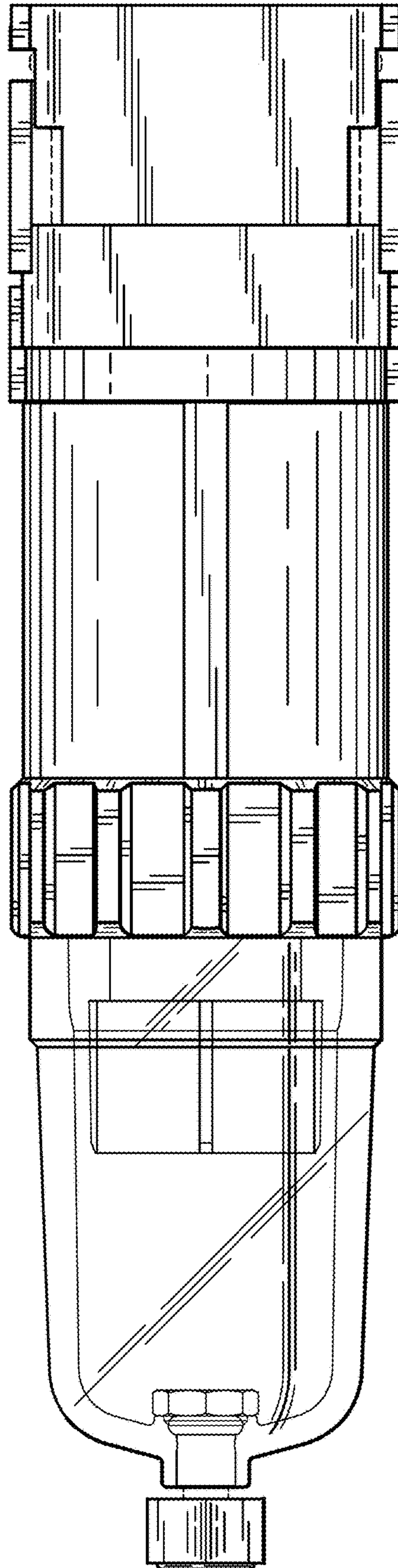


FIG. 4

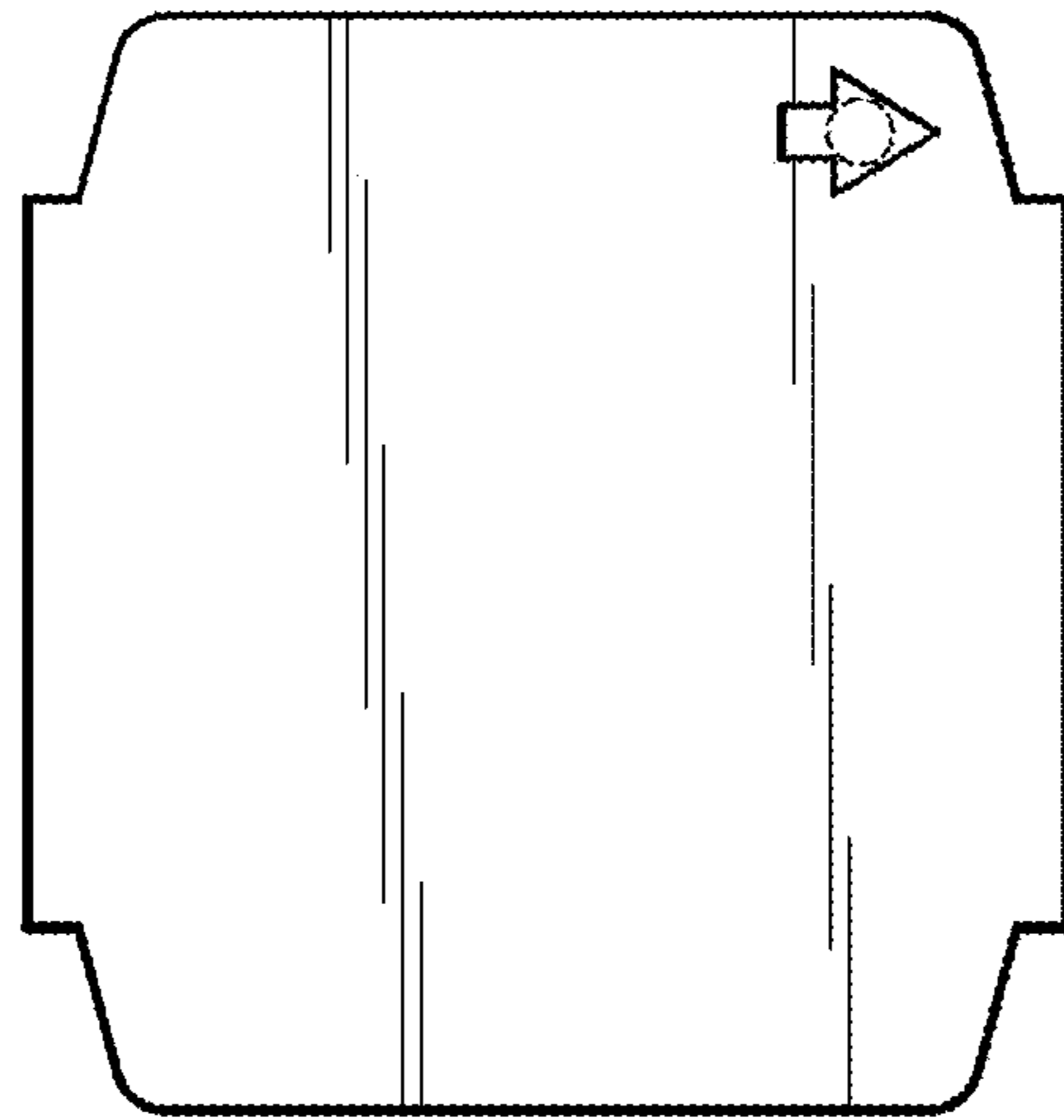


FIG. 5

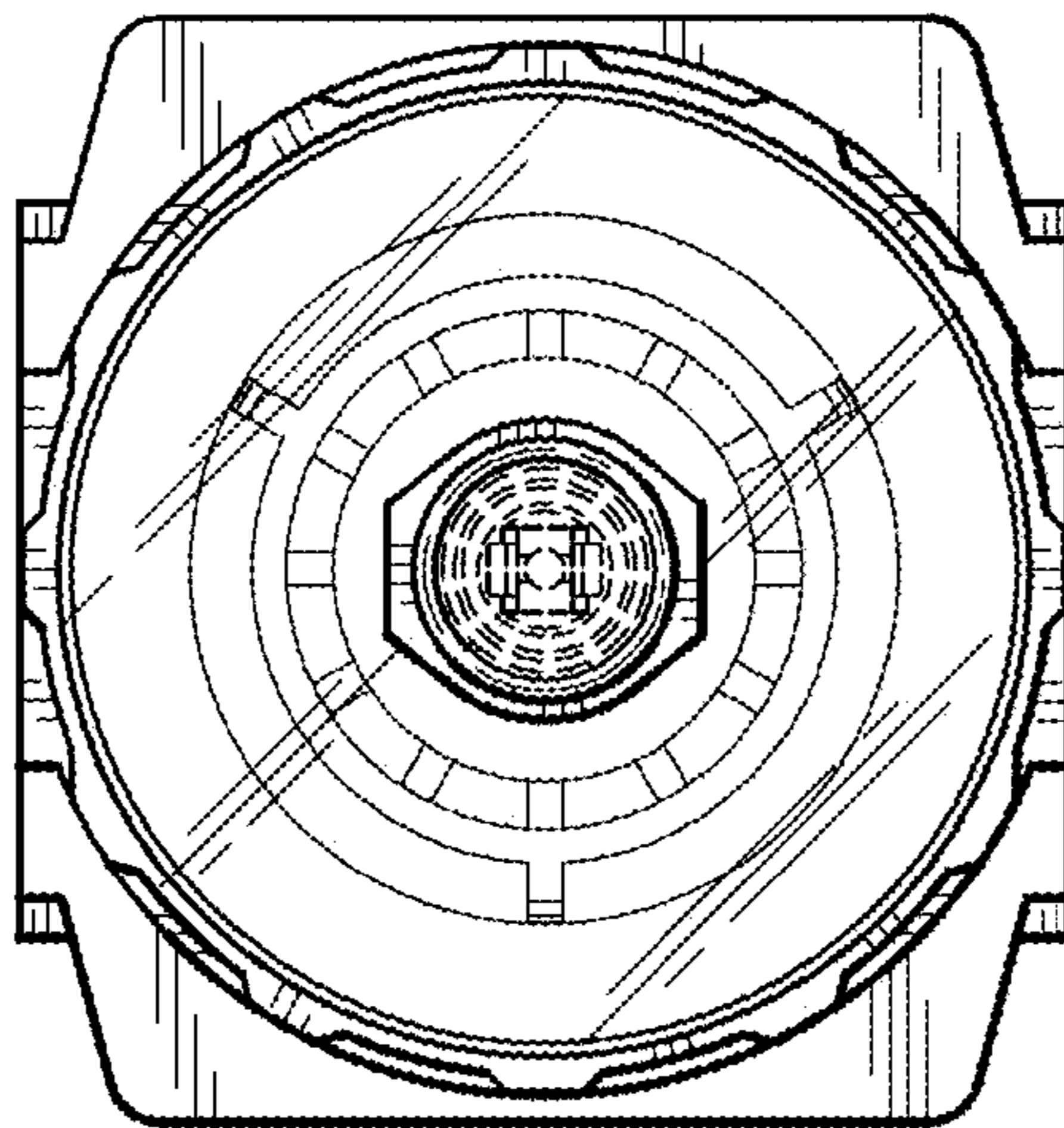


FIG. 6

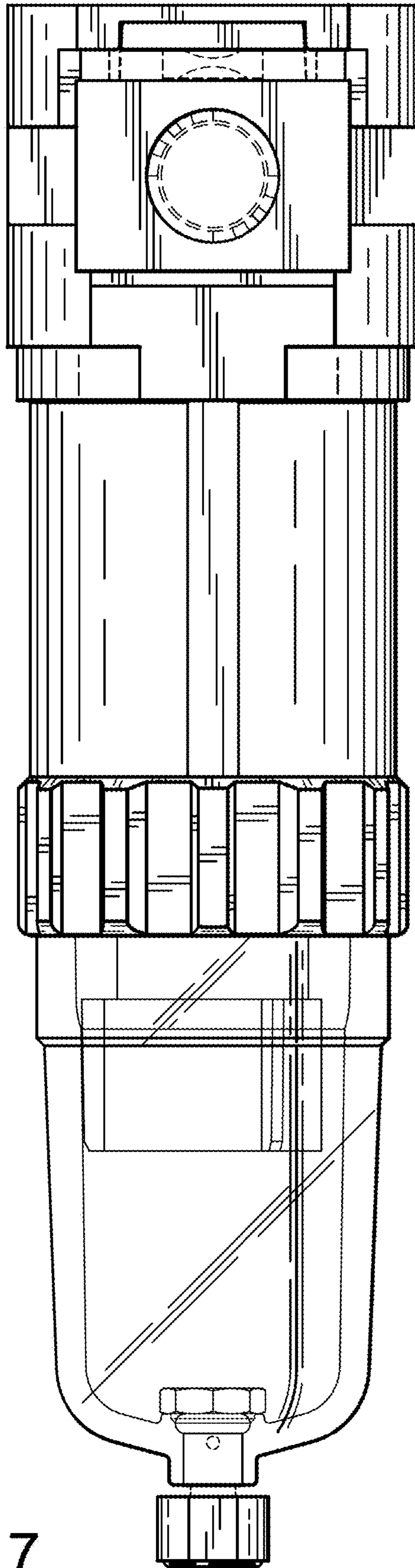


FIG. 7

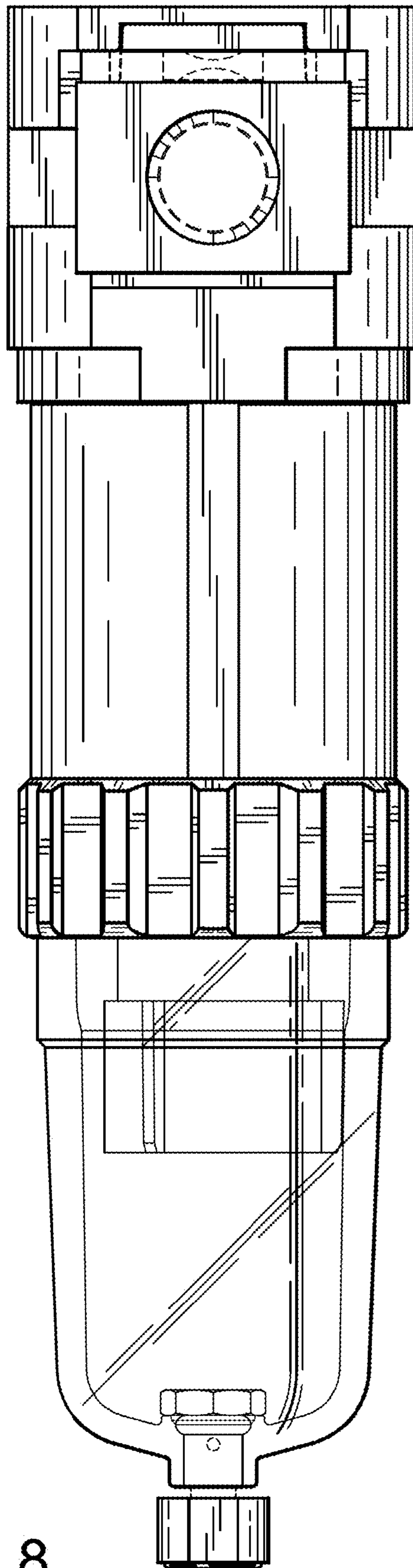


FIG. 8

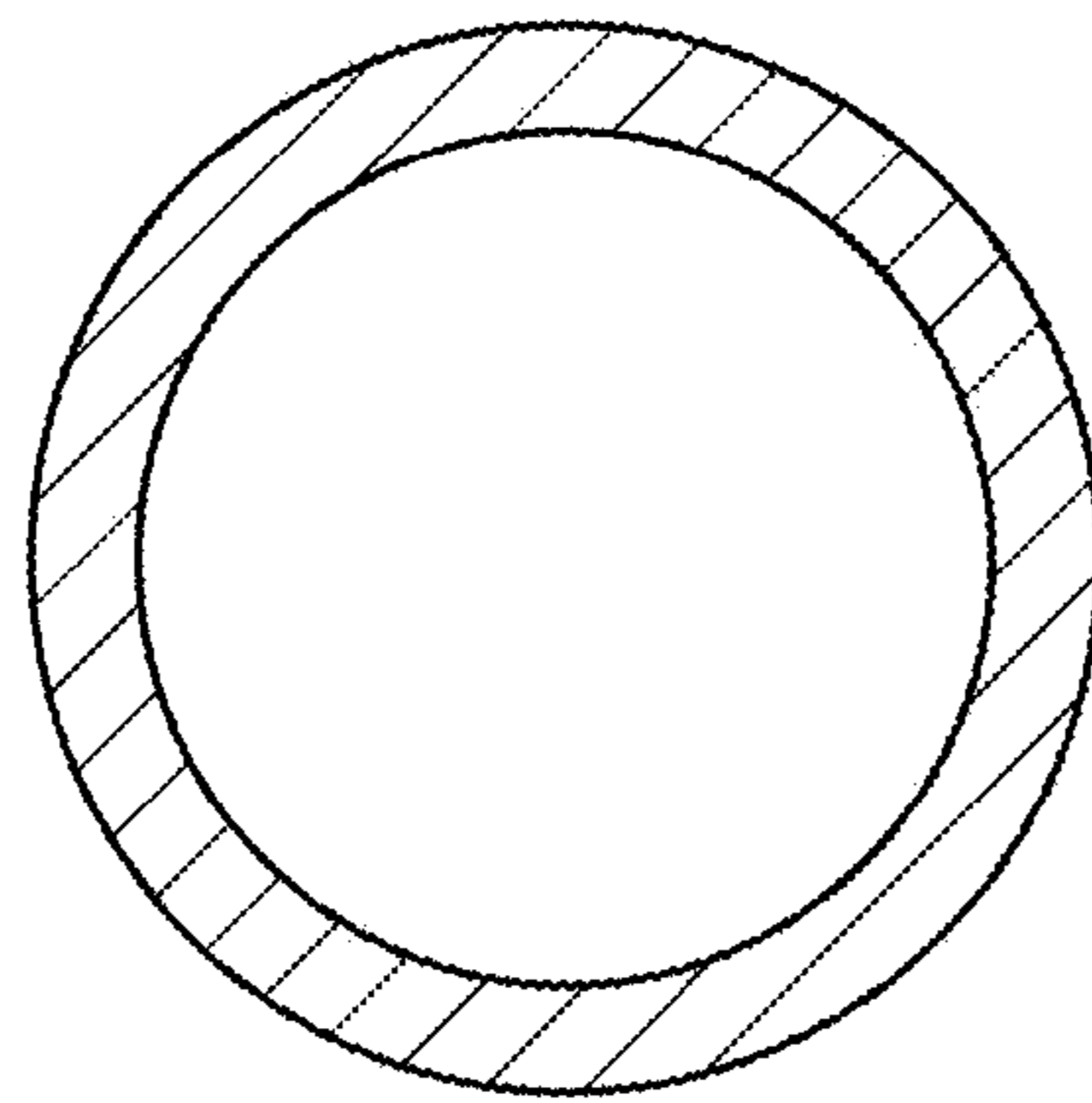


FIG. 9