



US00D978281S

(12) **United States Design Patent** (10) **Patent No.:** **US D978,281 S**  
**Liu** (45) **Date of Patent:** **\*\* Feb. 14, 2023**

(54) **MOSQUITO KILLER**

D949,281 S \* 4/2022 Peng ..... D22/123  
D950,002 S \* 4/2022 Luo ..... D22/123  
D960,283 S \* 8/2022 Liao ..... D22/123

(71) Applicant: **Yan Liu**, Meishan (CN)

(72) Inventor: **Yan Liu**, Meishan (CN)

(\*\*) Term: **15 Years**

(21) Appl. No.: **29/795,164**

(22) Filed: **Jun. 17, 2021**

(30) **Foreign Application Priority Data**

Feb. 9, 2021 (CN) ..... 202130095339.5

(51) **LOC (14) Cl.** ..... **22-06**

(52) **U.S. Cl.**  
USPC ..... **D22/123**

(58) **Field of Classification Search**  
USPC ..... D22/122-123; 43/107, 112, 137;  
D26/37

CPC ..... A01M 1/00; A01M 1/02; A01M 1/04;  
A01M 1/104; A01M 1/106; A01M 1/223;  
A01M 29/12; A01M 29/34; A01M  
2200/00; A01M 2200/011; A01M  
2200/012; F21L 13/08

See application file for complete search history.

(56) **References Cited**

**U.S. PATENT DOCUMENTS**

D294,283 S \* 2/1988 Yuen ..... D22/123  
D900,957 S \* 11/2020 Du ..... D22/123  
D917,655 S \* 4/2021 Luo ..... D22/123  
D919,039 S \* 5/2021 Luo ..... D22/123

**OTHER PUBLICATIONS**

[https://www.amazon.com/FVOAI-Zapper-Outdoor-Electronic-Mosquito/dp/B08T6672BY/ref=sr\\_1\\_1\\_sspa?crd=A0IIN43ZAQGN&keywords=fvoai%2Bbug%2Bzapper%2Boutdoor&qid=1668546476&srefix=FVOAI%2Caps%2C76&sr=8-1-spons&sp\\_csd=d2lkZ2V0TmFtZT1zcF9hdGY&smid=A39QWO8GR9WJ2H&th=1](https://www.amazon.com/FVOAI-Zapper-Outdoor-Electronic-Mosquito/dp/B08T6672BY/ref=sr_1_1_sspa?crd=A0IIN43ZAQGN&keywords=fvoai%2Bbug%2Bzapper%2Boutdoor&qid=1668546476&srefix=FVOAI%2Caps%2C76&sr=8-1-spons&sp_csd=d2lkZ2V0TmFtZT1zcF9hdGY&smid=A39QWO8GR9WJ2H&th=1) (Year: 2021).\*

\* cited by examiner

*Primary Examiner* — Catherine R Oliver-Garcia

(74) *Attorney, Agent, or Firm* — Bayramoglu Law Offices LLC

(57) **CLAIM**

The ornamental design for a mosquito killer, as shown and described.

**DESCRIPTION**

FIG. 1 is a perspective view of a mosquito killer showing my new design;

FIG. 2 is a front view thereof;

FIG. 3 is a rear view thereof;

FIG. 4 is a right side view thereof;

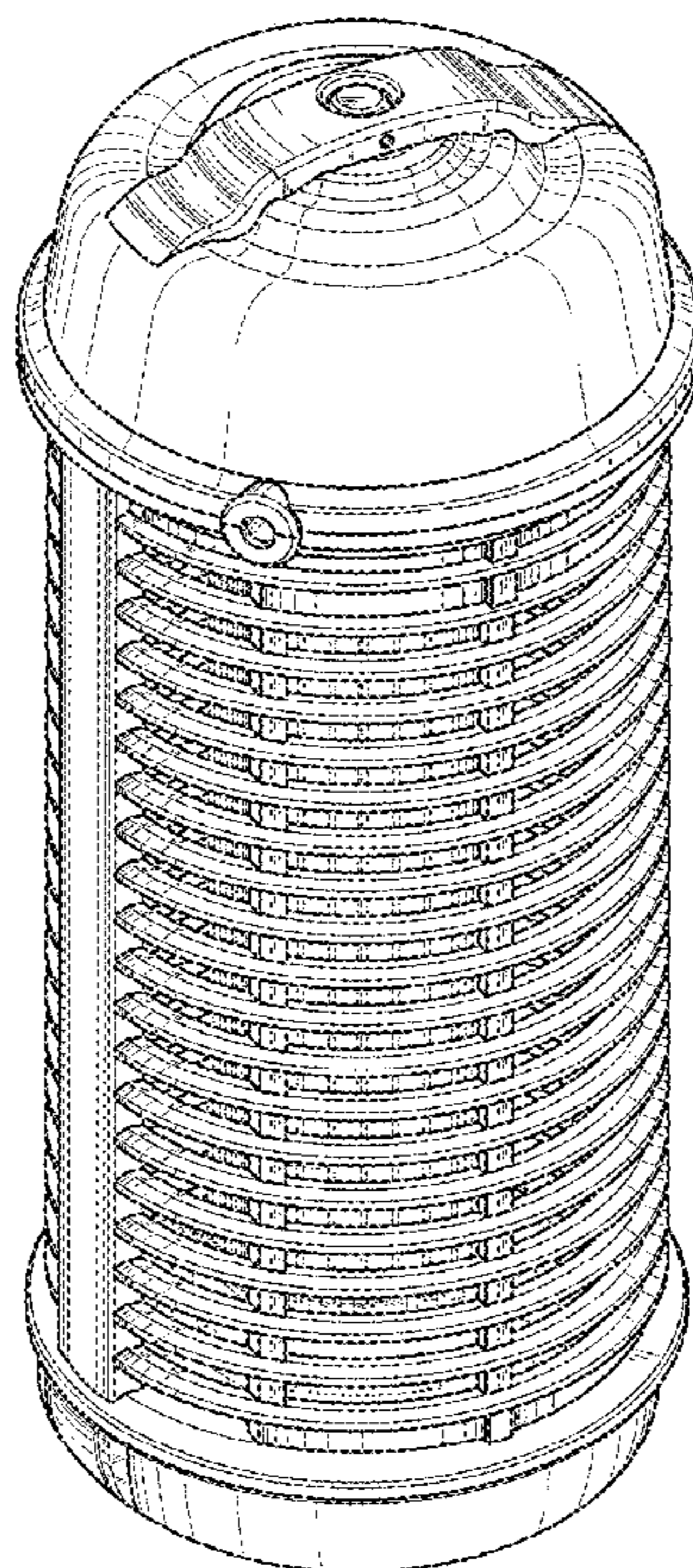
FIG. 5 is a left side view thereof;

FIG. 6 is a top view thereof; and,

FIG. 7 is a bottom view thereof.

The broken lines depict portions of the mosquito killer in which the design is embodied that form no part of the claimed design.

**1 Claim, 7 Drawing Sheets**



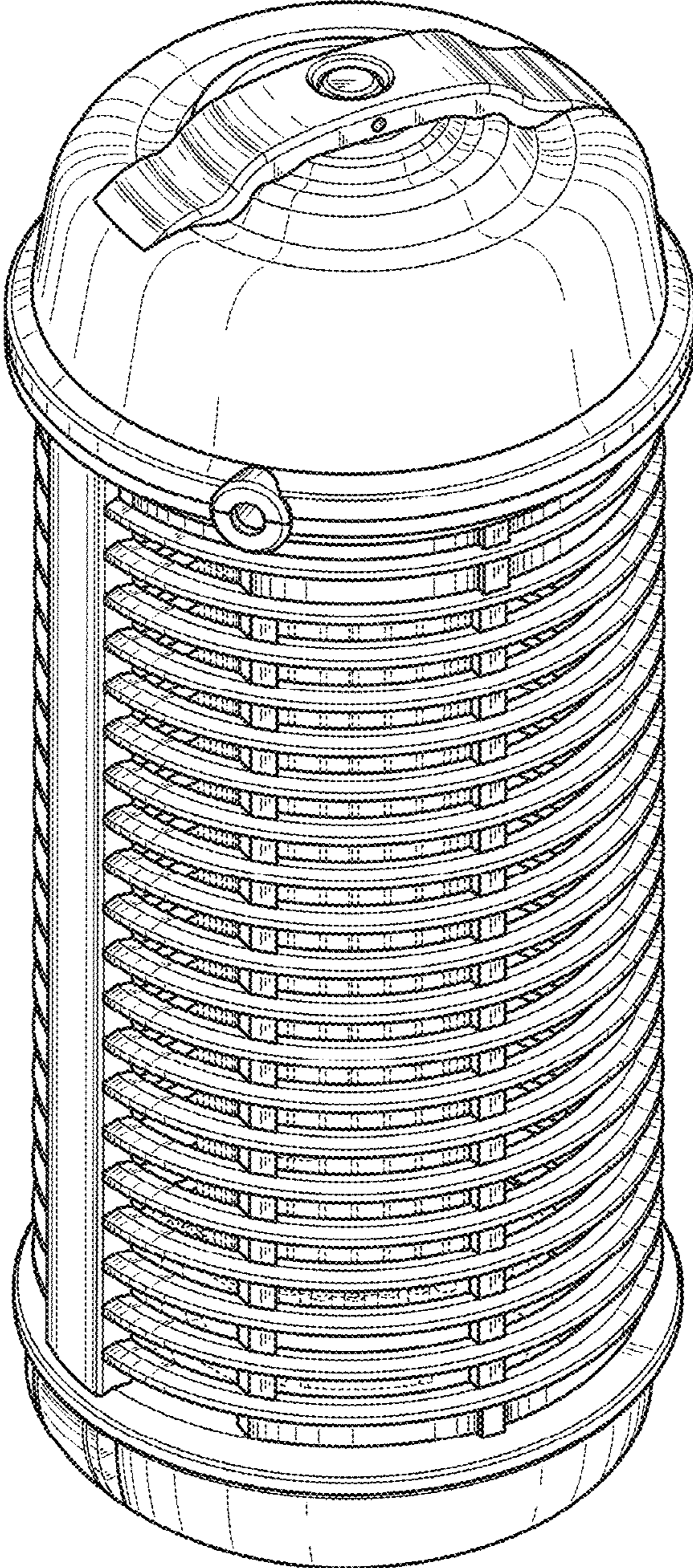


Fig. 1

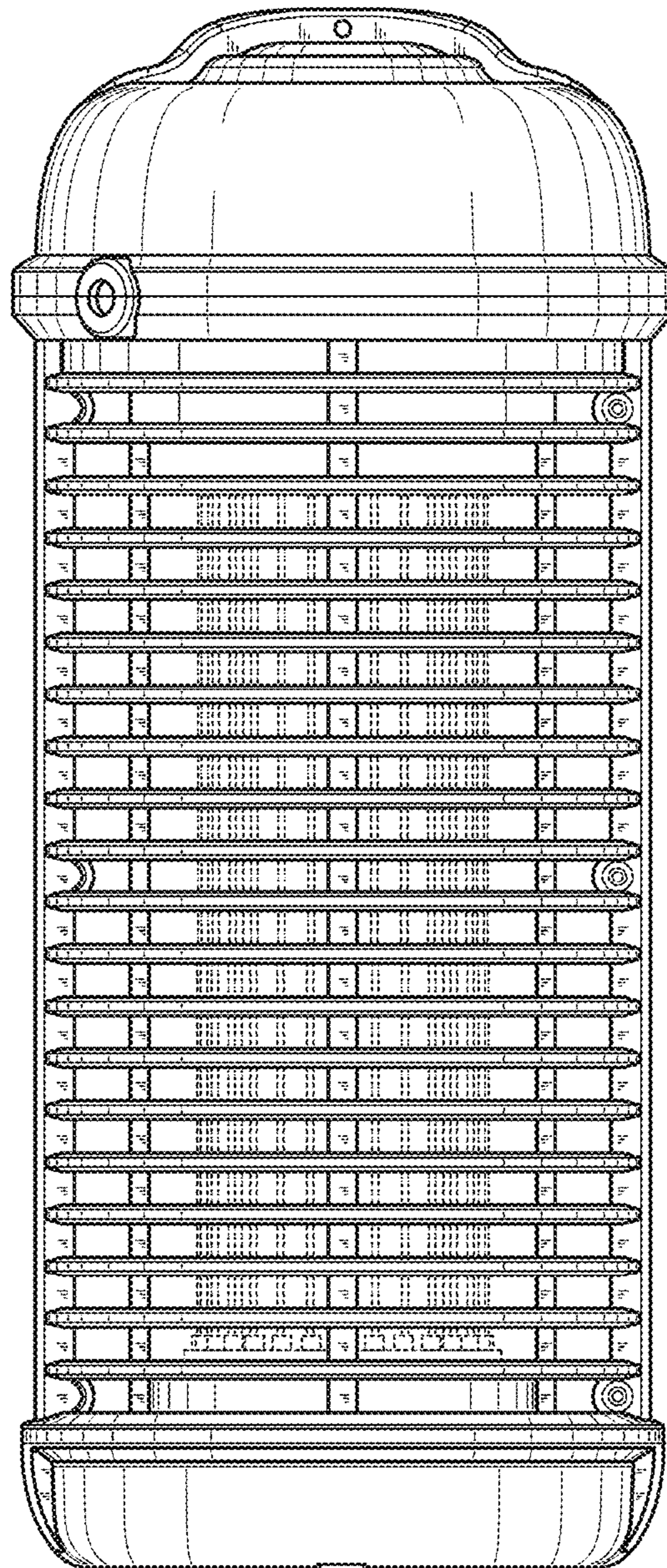


Fig. 2

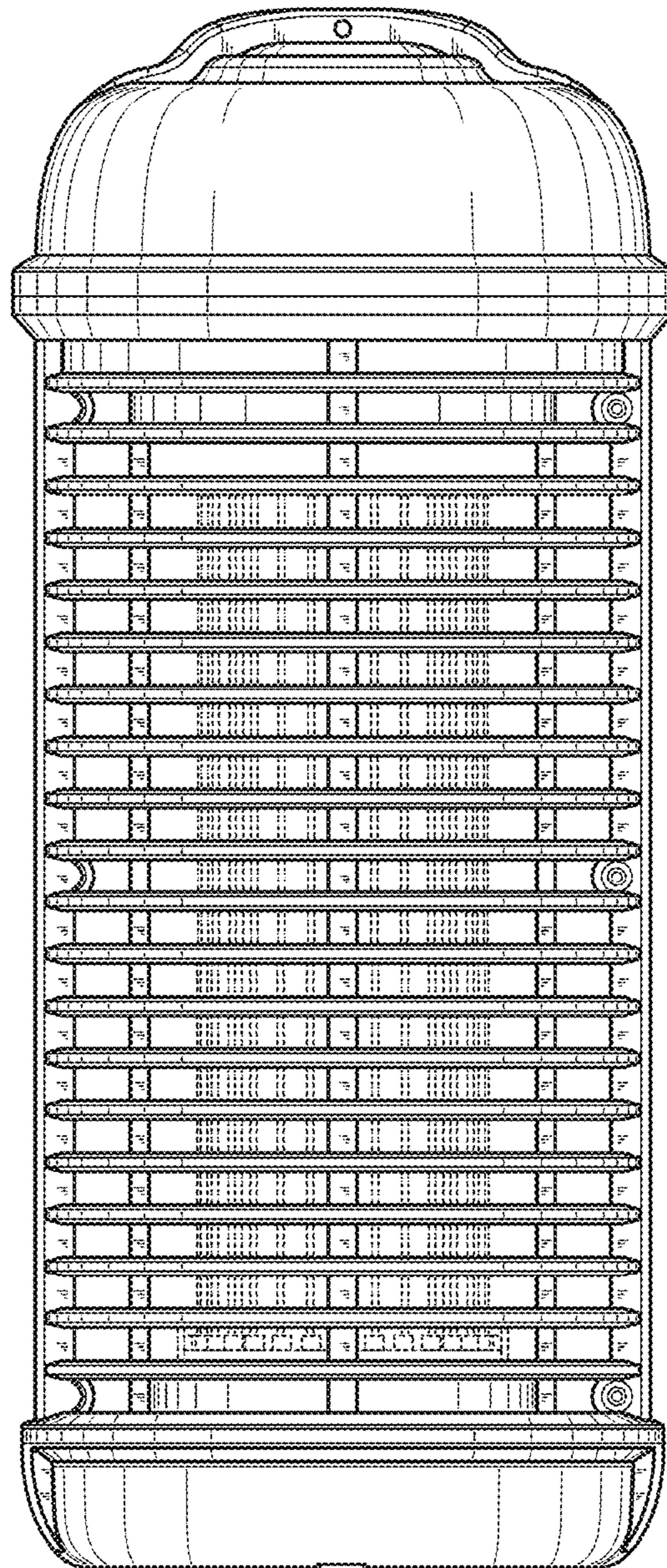


Fig. 3

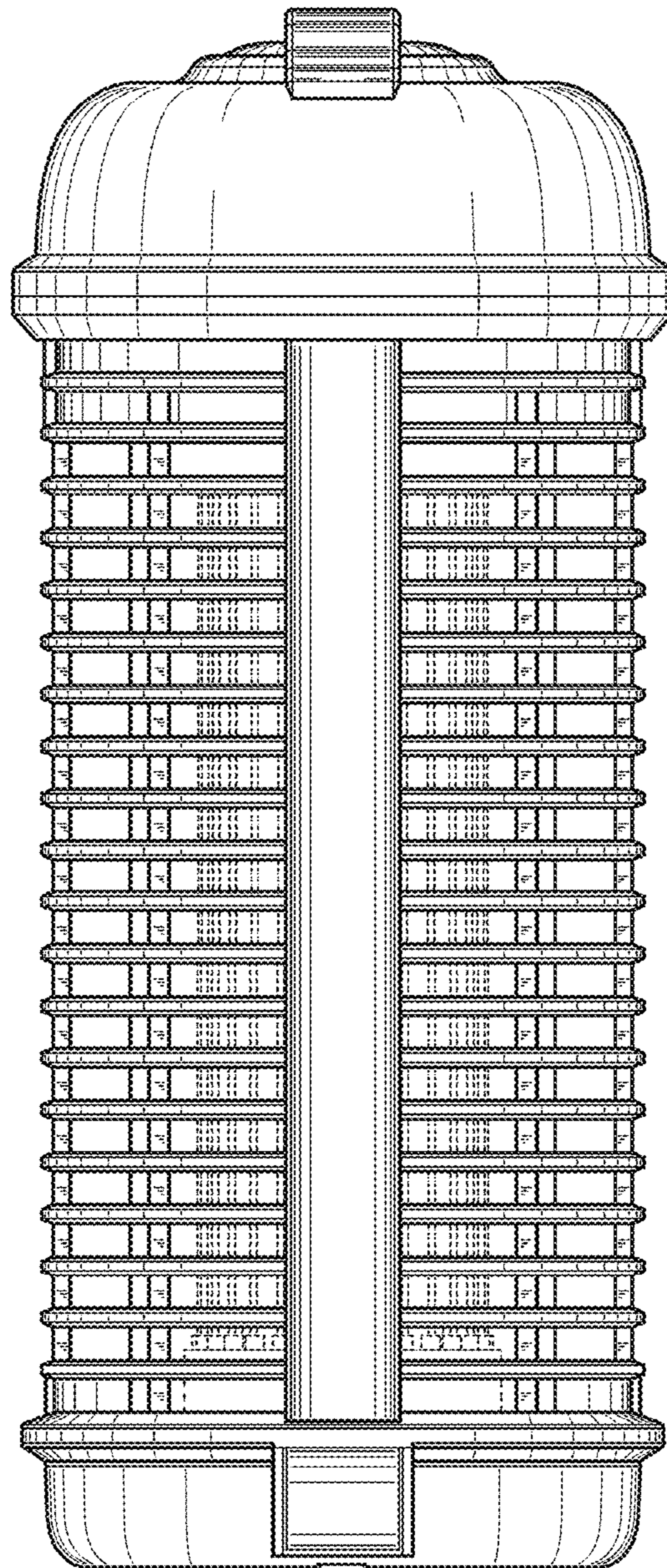


Fig. 4

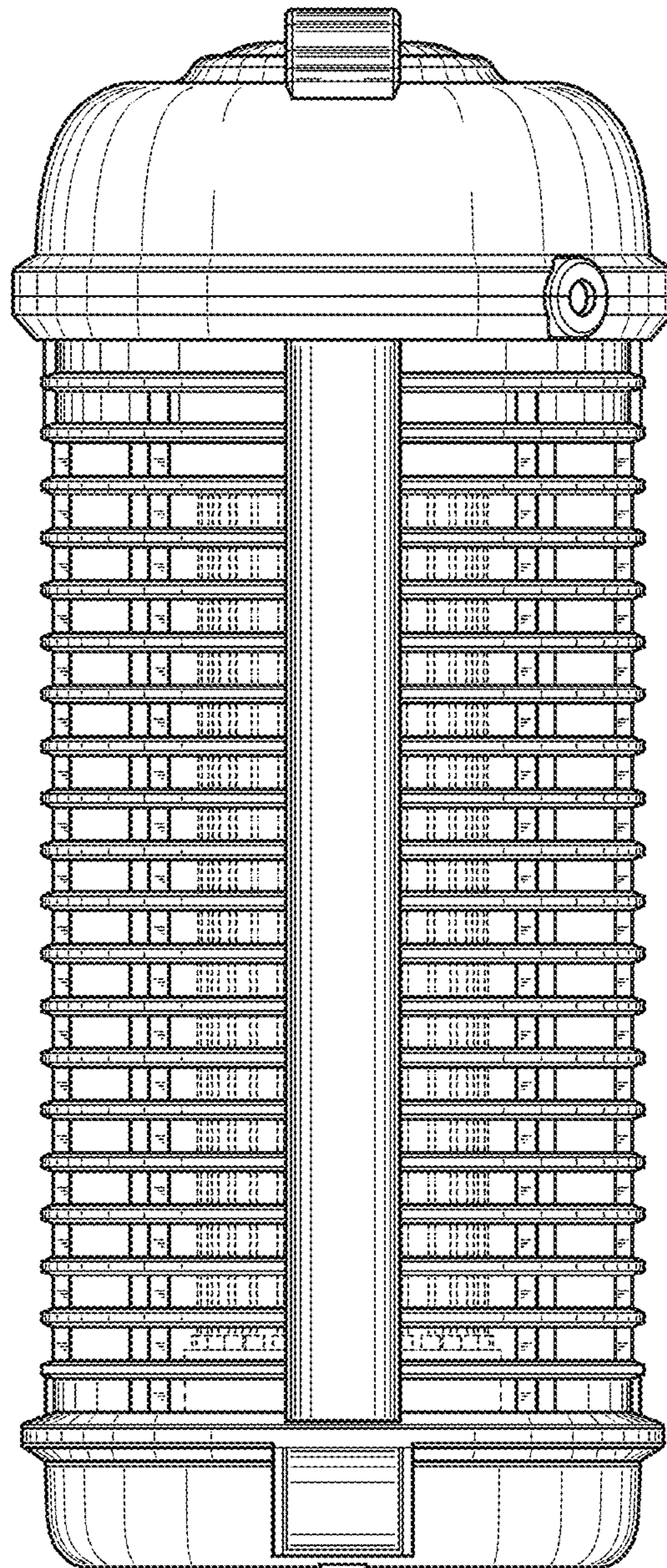


Fig. 5

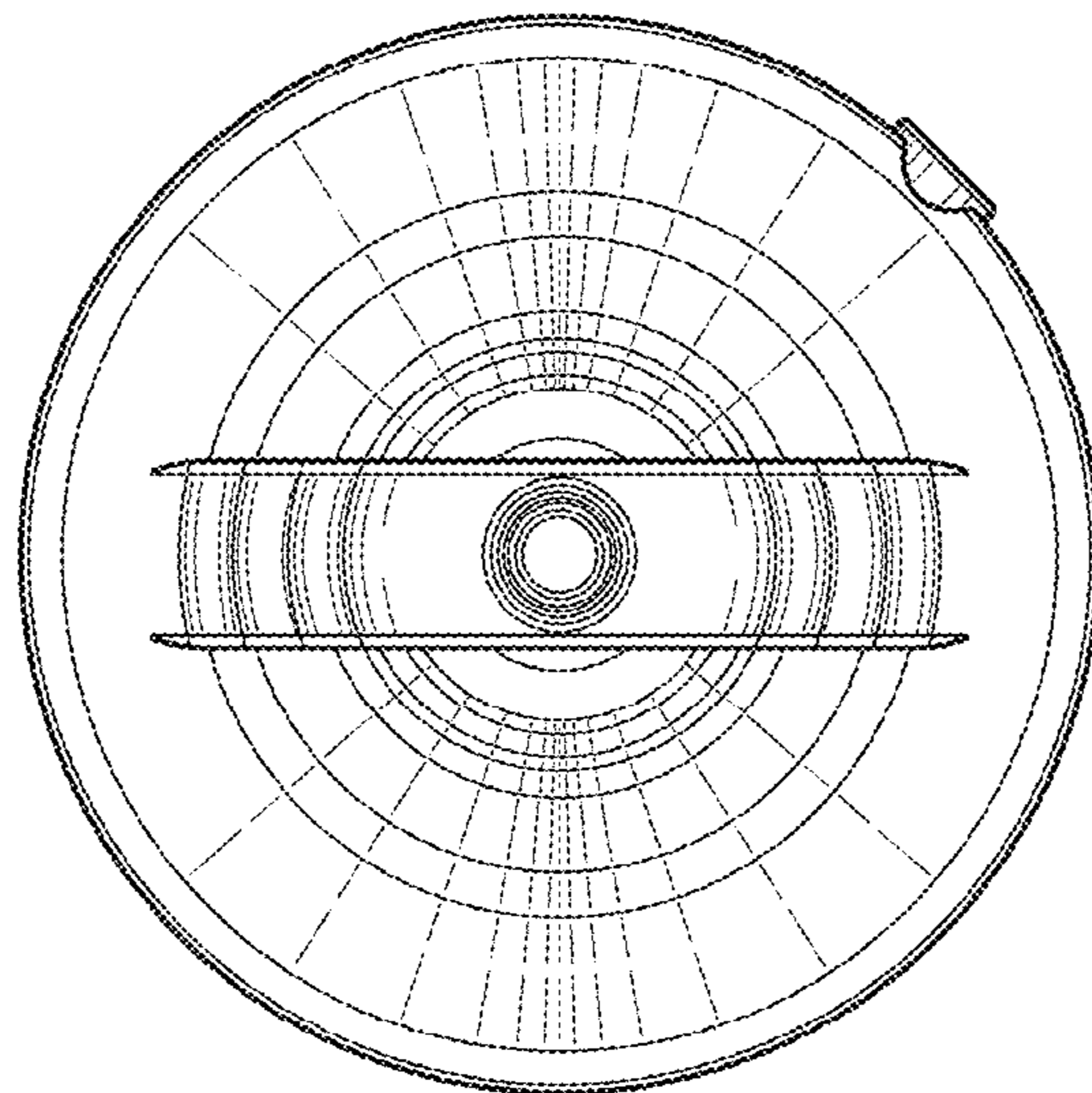


Fig. 6

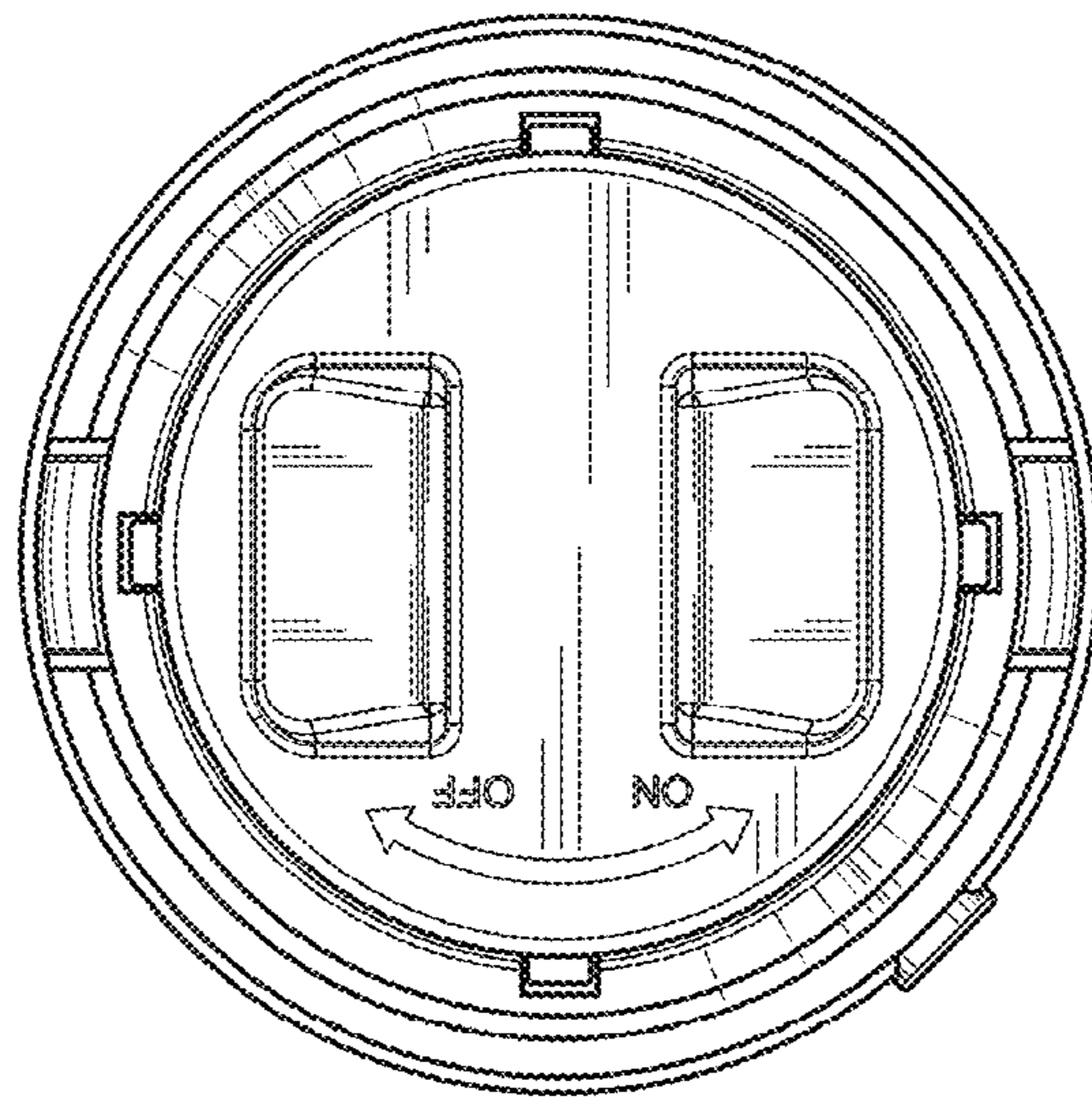


Fig. 7