

US00D978280S

(12) **United States Design Patent** (10) **Patent No.:** **US D978,280 S**  
**Liu** (45) **Date of Patent:** **\*\* Feb. 14, 2023**

(54) **MOSQUITO KILLER**

OTHER PUBLICATIONS

(71) Applicant: **Yan Liu**, Meishan (CN)

<https://www.amazon.com/dp/B09TSTHHM3?th=1> (Year: 2022).\*

(72) Inventor: **Yan Liu**, Meishan (CN)

\* cited by examiner

(\*\*) Term: **15 Years**

*Primary Examiner* — Catherine R Oliver-Garcia  
(74) *Attorney, Agent, or Firm* — Bayramoglu Law Offices LLC

(21) Appl. No.: **29/795,162**

(22) Filed: **Jun. 17, 2021**

(51) **LOC (14) Cl.** ..... **22-06**

(57) **CLAIM**

(52) **U.S. Cl.**  
USPC ..... **D22/123**

The ornamental design for a mosquito killer, as shown and described.

(58) **Field of Classification Search**  
USPC ..... D22/122–123; 43/107, 112, 137;  
D26/37  
CPC ..... A01M 1/00; A01M 1/02; A01M 1/04;  
A01M 1/08; A01M 1/106; A01M 1/223;  
A01M 29/34; A01M 2200/011; A01M  
2200/012; F21L 13/08  
See application file for complete search history.

**DESCRIPTION**

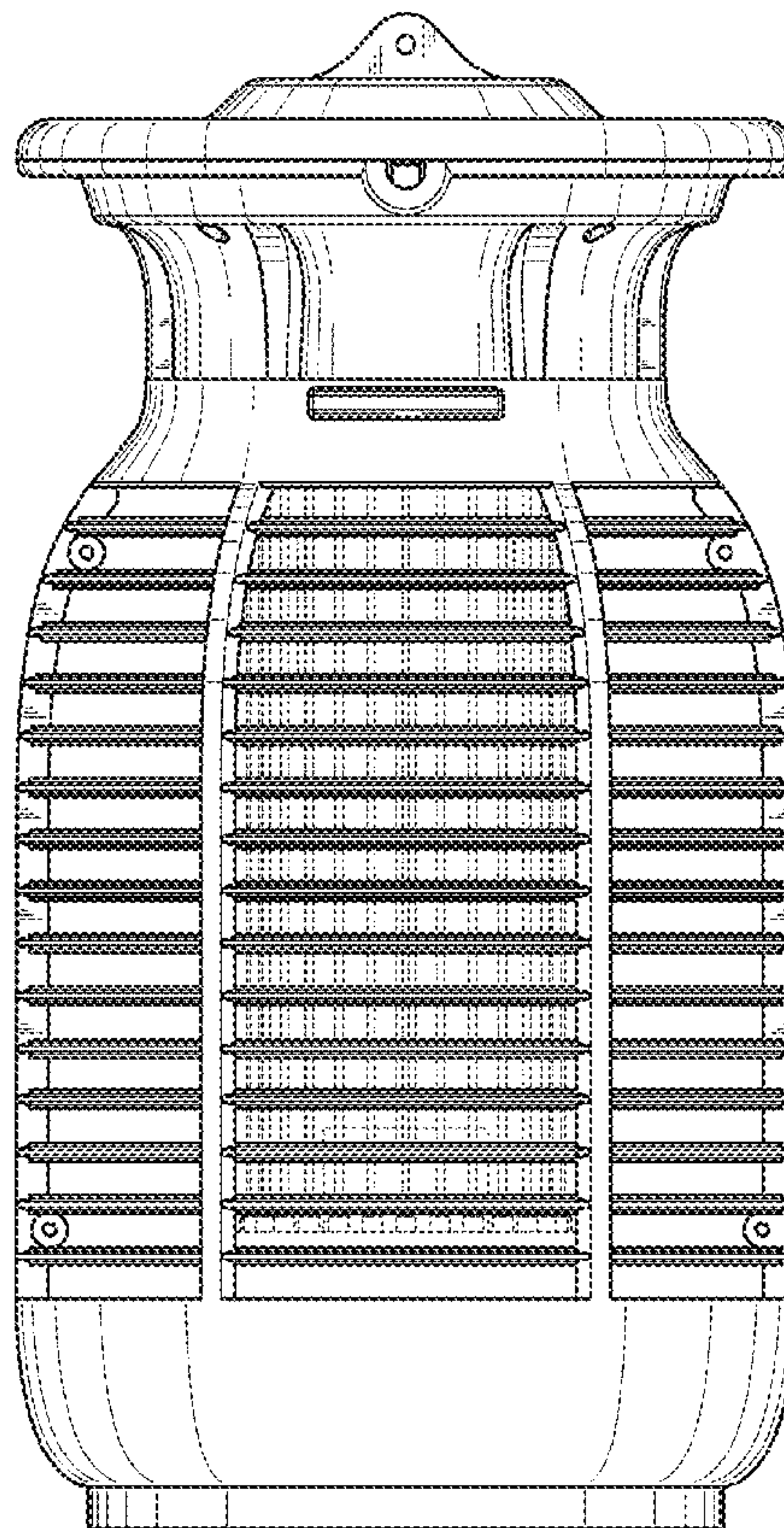
FIG. 1 is a top perspective view of a mosquito killer showing my new design;  
FIG. 2 is a front view thereof;  
FIG. 3 is a rear view thereof;  
FIG. 4 is a tight side view thereof, a left side view being a mirror image of the right side view;  
FIG. 5 is a top view thereof;  
FIG. 6 is a bottom view thereof; and,  
FIG. 7 is a bottom perspective view thereof.  
The broken lines depict portions of the mosquito killer in which the design is embodied that form no part of the claimed design.

(56) **References Cited**

U.S. PATENT DOCUMENTS

3,473,251 A *	10/1969	Kahn	.....	A01M 1/223 43/112
D898,864 S *	10/2020	Qiu	.....	D22/123
D906,474 S *	12/2020	Feng	.....	D22/123
D932,584 S *	10/2021	He	.....	D22/123
D949,281 S *	4/2022	Peng	.....	D22/123

**1 Claim, 7 Drawing Sheets**



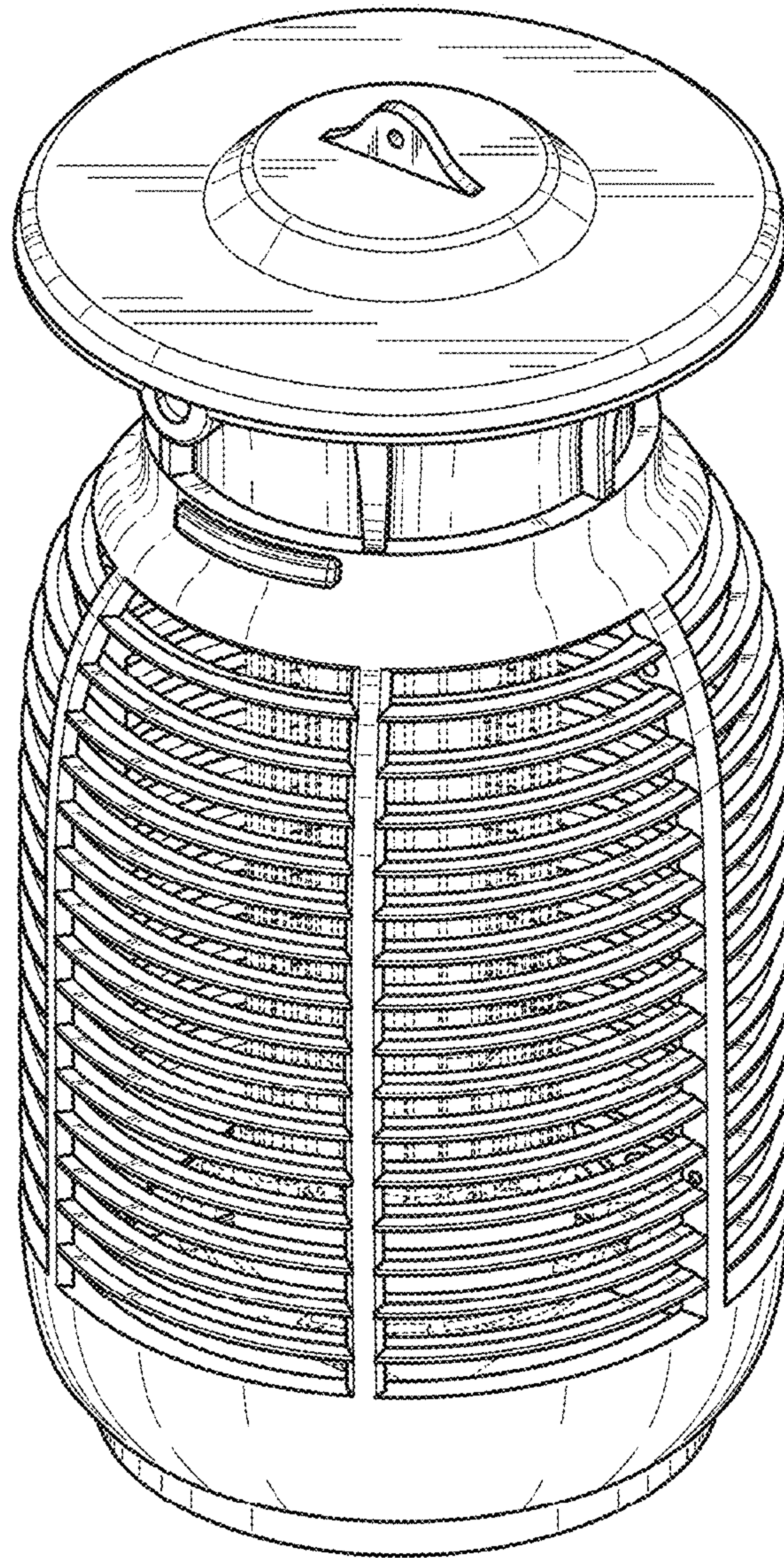


Fig. 1



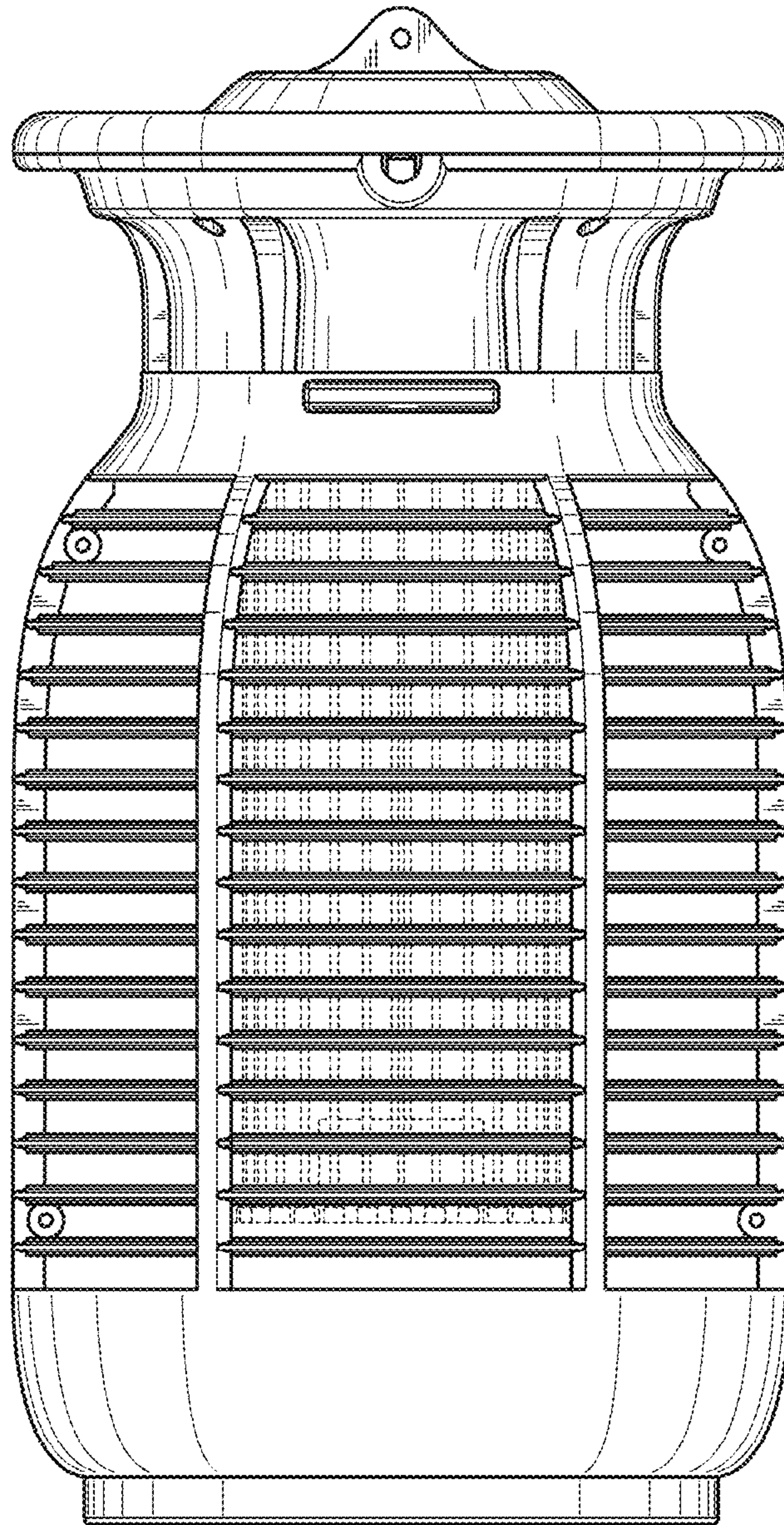


Fig. 2

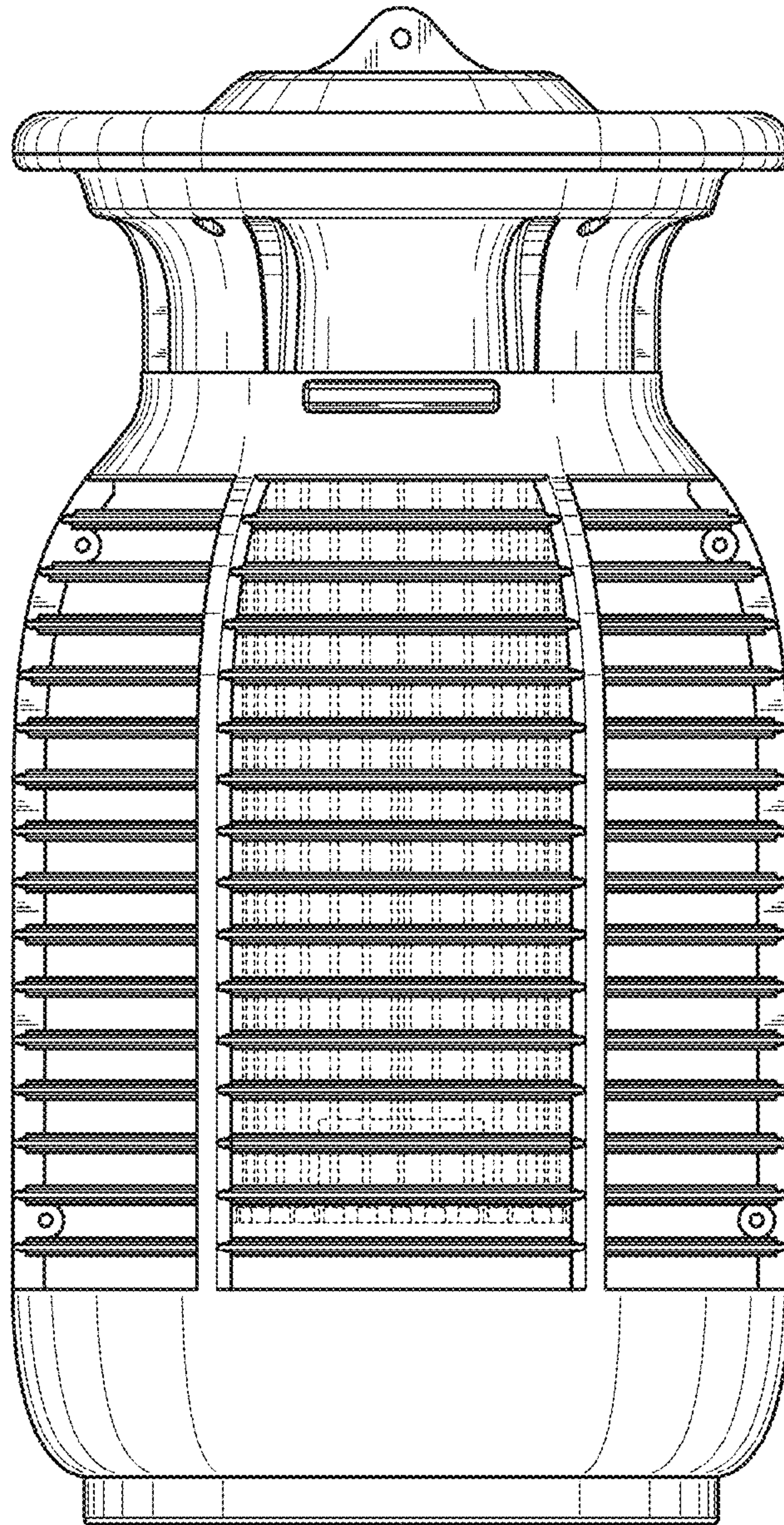


Fig. 3

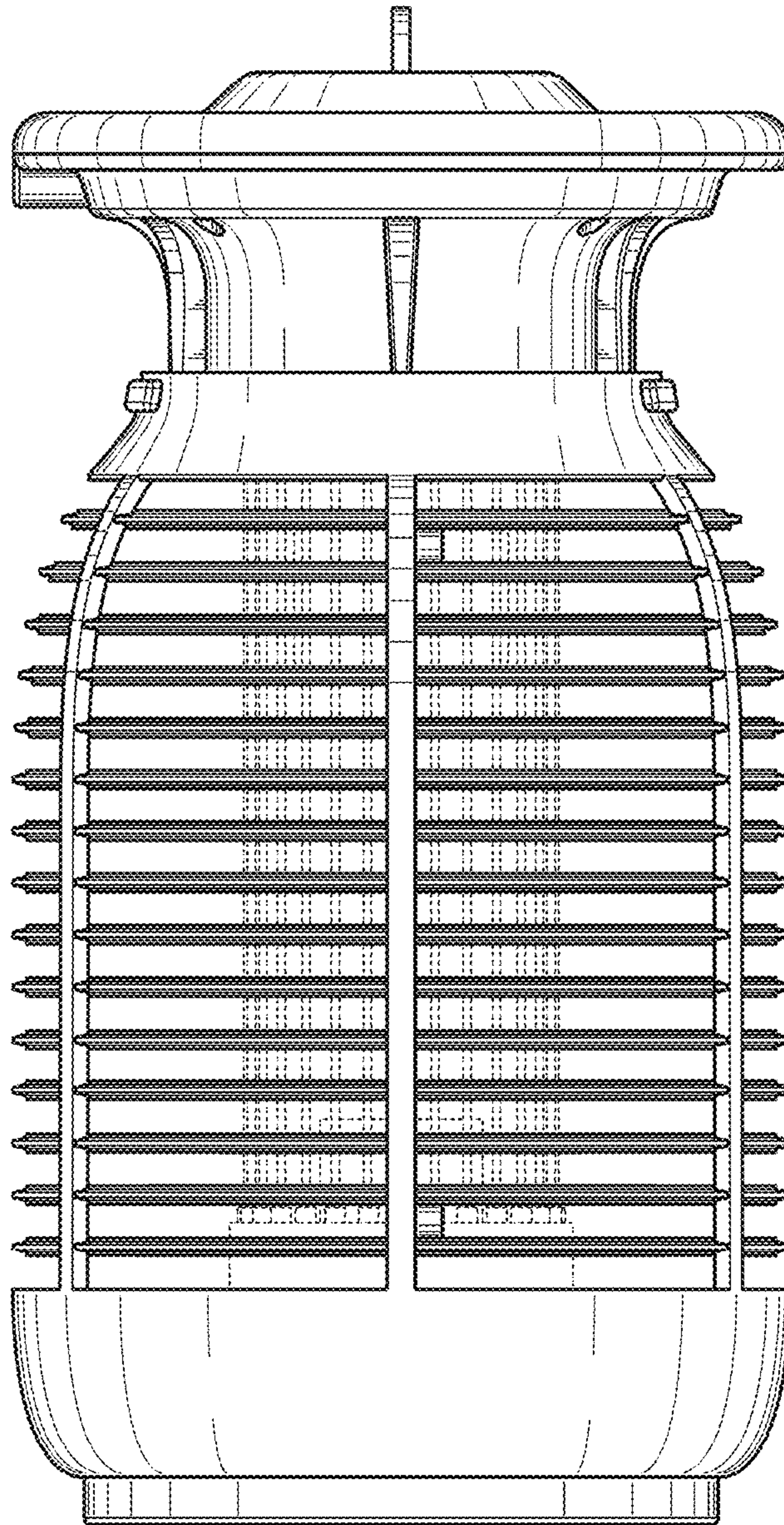


Fig. 4



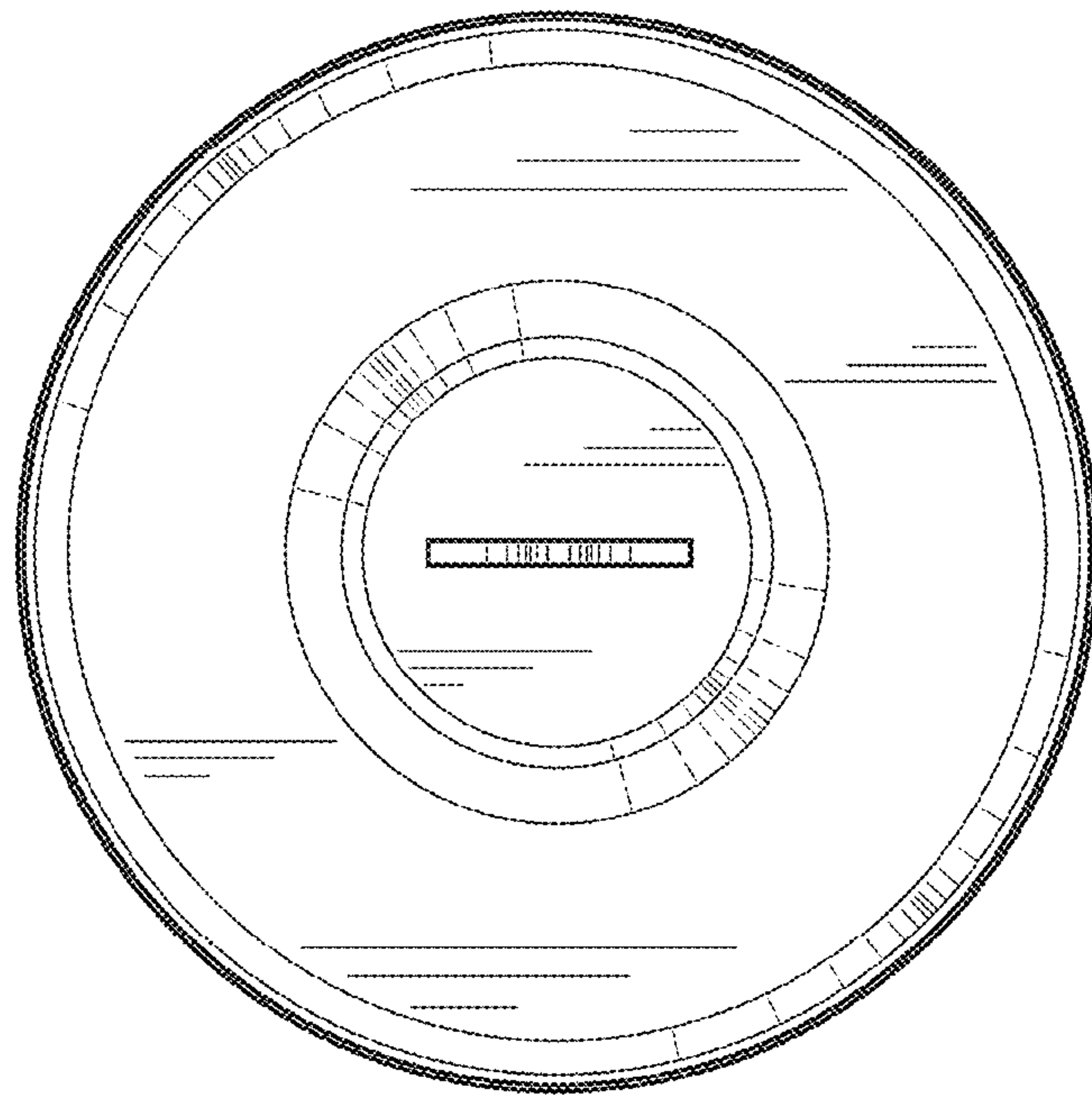


Fig. 5

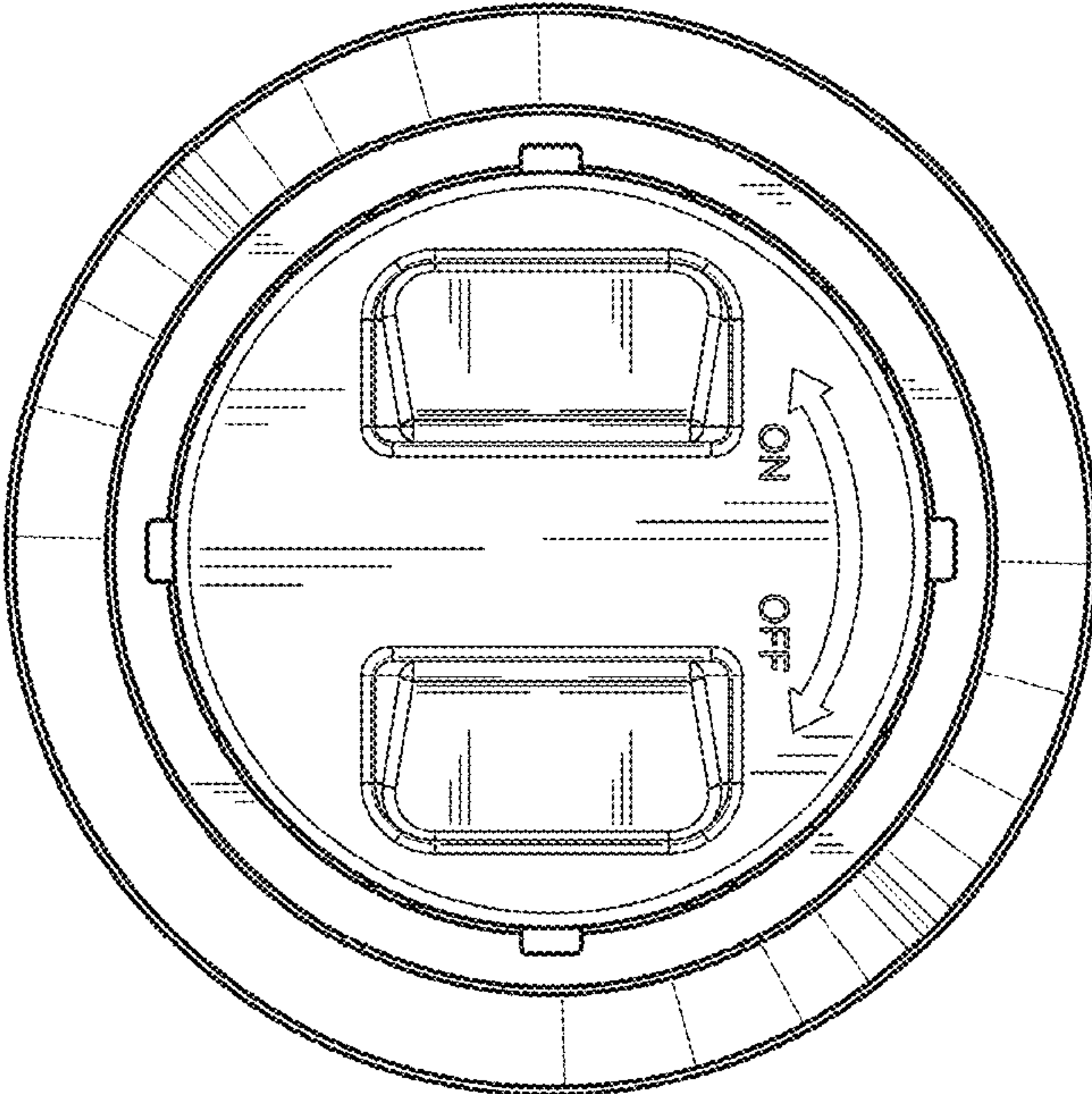


Fig. 6

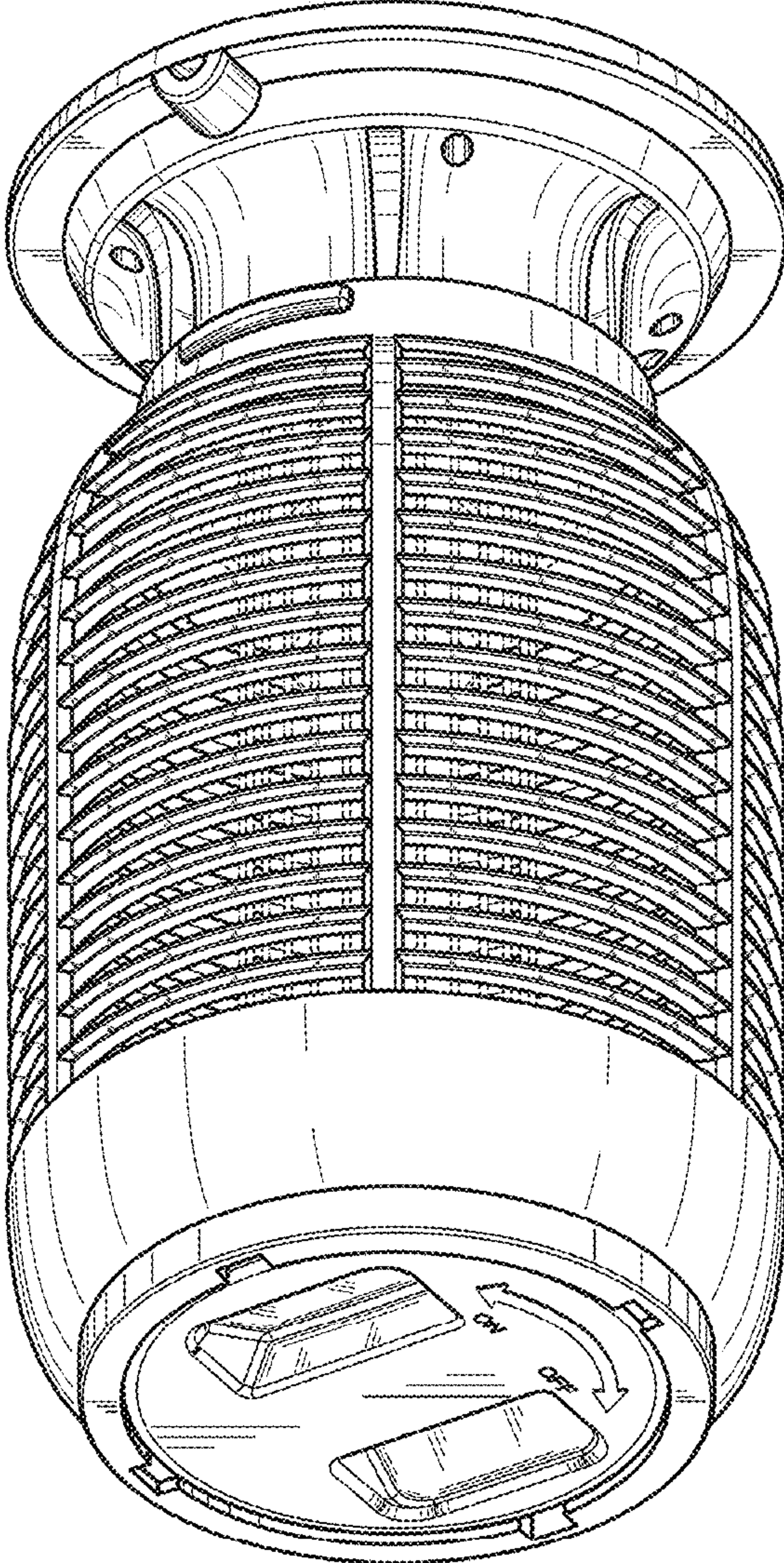


Fig. 7