

US00D978276S

(12) **United States Design Patent** (10) **Patent No.:** **US D978,276 S**  
**Wang** (45) **Date of Patent:** **\*\* Feb. 14, 2023**

(54) **LASER TARGET**

(71) Applicant: **Jianmei Wang**, Weinan (CN)

(72) Inventor: **Jianmei Wang**, Weinan (CN)

(73) Assignee: **Jianmei Wang**, Weinan (CN)

(\*\*) Term: **15 Years**

(21) Appl. No.: **29/860,442**

(22) Filed: **Nov. 18, 2022**

(51) **LOC (14) Cl.** ..... **22-04**

(52) **U.S. Cl.**  
USPC ..... **D22/113; D21/306**

(58) **Field of Classification Search**  
USPC ..... D22/113, 114; D21/301, 302, 306, 308  
CPC ..... F41J 5/02; F41J 5/24; F41J 1/01  
See application file for complete search history.

(56) **References Cited**

**U.S. PATENT DOCUMENTS**

D17,089 S *	2/1887	Hebbard	273/362
899,123 A *	9/1908	Mills	F41J 1/01
			273/362
D202,566 S *	10/1965	Di Maggio	D22/113
D256,041 S *	7/1980	Dulude	D22/113
D257,376 S *	10/1980	Dulude	D22/113
D261,667 S *	11/1981	Griggs	D22/113
D262,131 S *	12/1981	Dulude	D22/113
D262,819 S *	1/1982	Dulude	D22/113
D289,532 S *	4/1987	Ivie	D22/113
D325,937 S *	5/1992	Fagan	D21/308
D350,158 S *	8/1994	Daneault	D21/308
D351,450 S *	10/1994	Maryska	D22/113
D355,695 S *	2/1995	Moore	D22/113
5,415,415 A *	5/1995	Mujic	F41J 1/01
			273/408
D390,278 S *	2/1998	Yiu	D21/307
D397,367 S *	8/1998	Barr	D21/308

(Continued)

**OTHER PUBLICATIONS**

“LaserLyte Quick Tyme Laser Trainer Target with Point of Impact Display and Timed Games for Reactive Laser Shooting and Dry Fire Practice” [online]. LaserLyte. [Product first available on Aug. 27, 2016]. Retrieved from the Internet: <https://www.amazon.com/dp/B01L450QBW>.\*

(Continued)

*Primary Examiner* — Mojtaba Tehrani

(74) *Attorney, Agent, or Firm* — Nitin Kaushik

(57) **CLAIM**

The ornamental design for a laser target, as shown and described.

**DESCRIPTION**

FIG. 1 is a front, top and right-side perspective view of the first embodiment of a laser target, showing my new design; FIG. 2 is a front, top and right-side perspective view thereof in a state of use;

FIG. 3 is a front view thereof;

FIG. 4 is a rear view thereof;

FIG. 5 is a left side view thereof;

FIG. 6 is a right side view thereof;

FIG. 7 is a top view thereof;

FIG. 8 is a bottom view thereof;

FIG. 9 is a front, top and right-side perspective view of the second embodiment of a laser target, showing my new design;

FIG. 10 is a front view thereof;

FIG. 11 is a rear view thereof;

FIG. 12 is a left side view thereof;

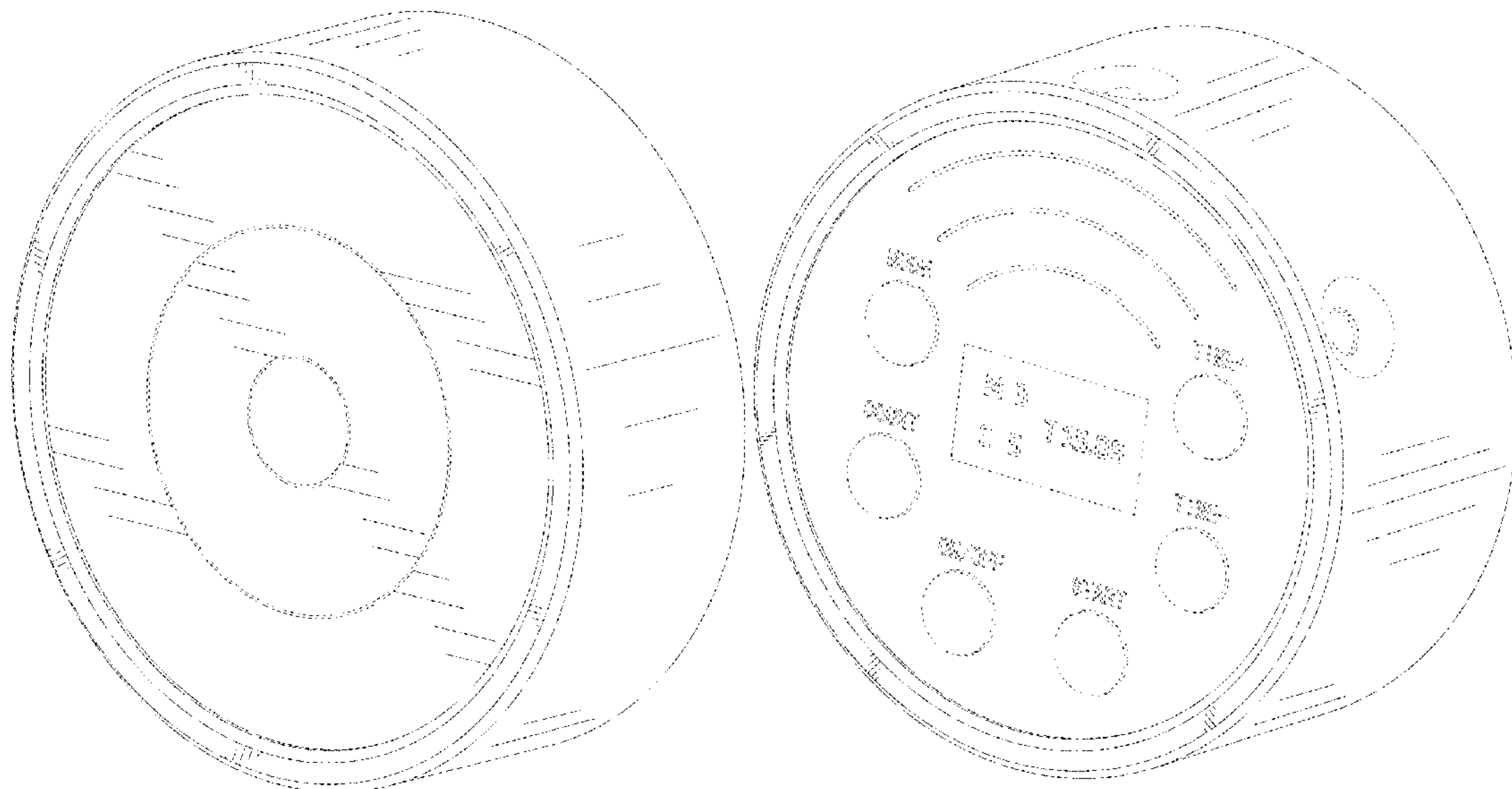
FIG. 13 is a right side view thereof;

FIG. 14 is a top view thereof; and,

FIG. 15 is a bottom view thereof.

The broken lines in the drawings illustrate the portions of the laser target, which form no part of the claimed design.

**1 Claim, 15 Drawing Sheets**



(56)

**References Cited**

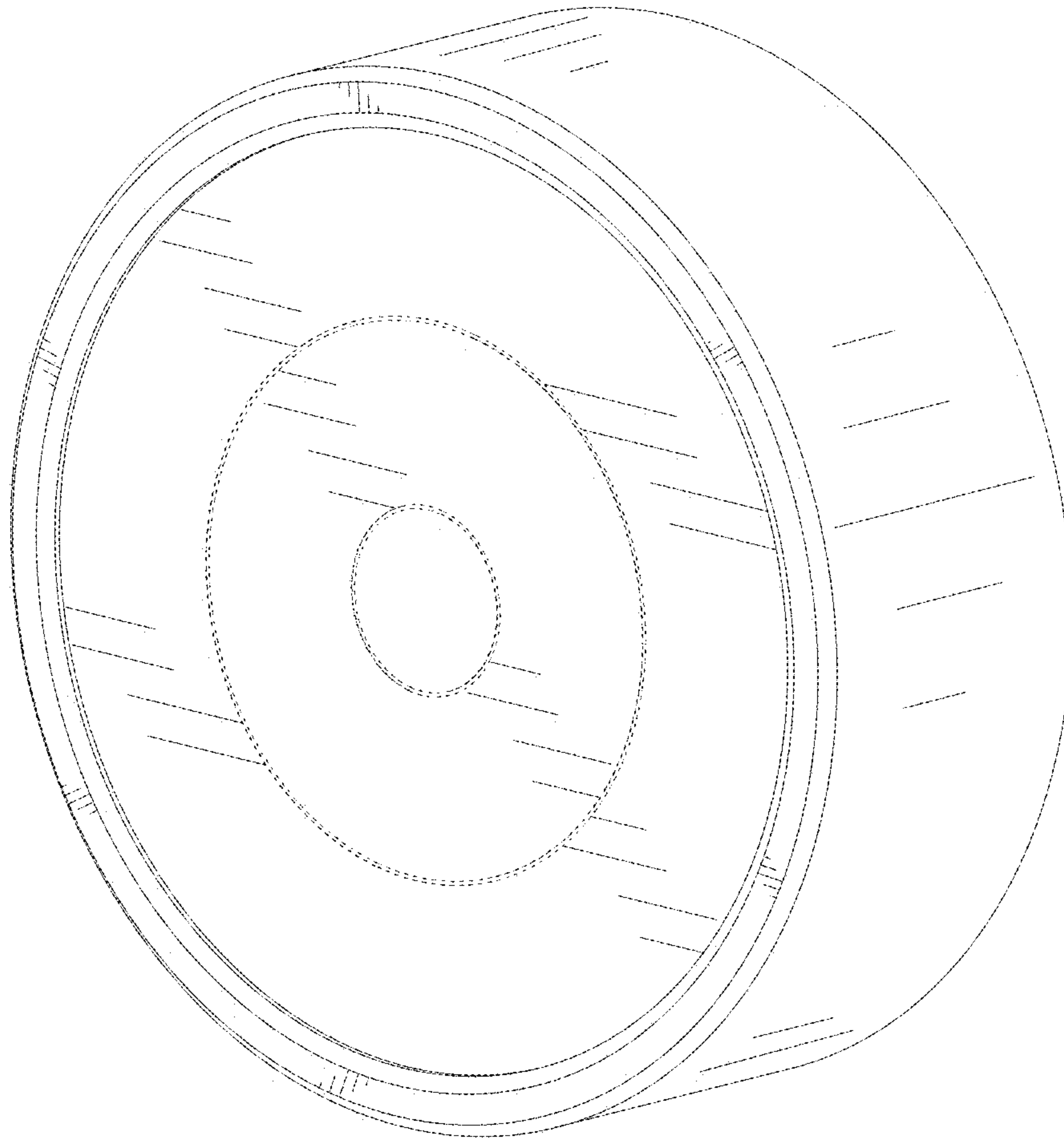
## U.S. PATENT DOCUMENTS

D453,799	S *	2/2002	Pan	.....	D21/385
D750,728	S *	3/2016	Kremer	.....	D22/113
D781,380	S *	3/2017	Kim	.....	D21/308
D818,046	S *	5/2018	Benini	.....	D21/302
D819,139	S *	5/2018	McNair	.....	D21/308
D845,426	S *	4/2019	Hicks	.....	D22/113
D853,521	S *	7/2019	Evans	.....	D22/114
D888,187	S *	6/2020	Zhang	.....	D22/122
D898,862	S *	10/2020	Barnes	.....	D22/122
D917,003	S *	4/2021	Howard	.....	D22/113
D919,743	S *	5/2021	DiMeo	.....	D22/122
D933,774	S *	10/2021	Wright	.....	D22/114
D957,523	S *	7/2022	Lin	.....	D21/302
2015/0285593	A1 *	10/2015	Dribben	.....	G01L 5/0052 434/19
2016/0361626	A1 *	12/2016	Moore	.....	A63F 13/837
2020/0191534	A1 *	6/2020	Reyes	.....	F41J 5/24

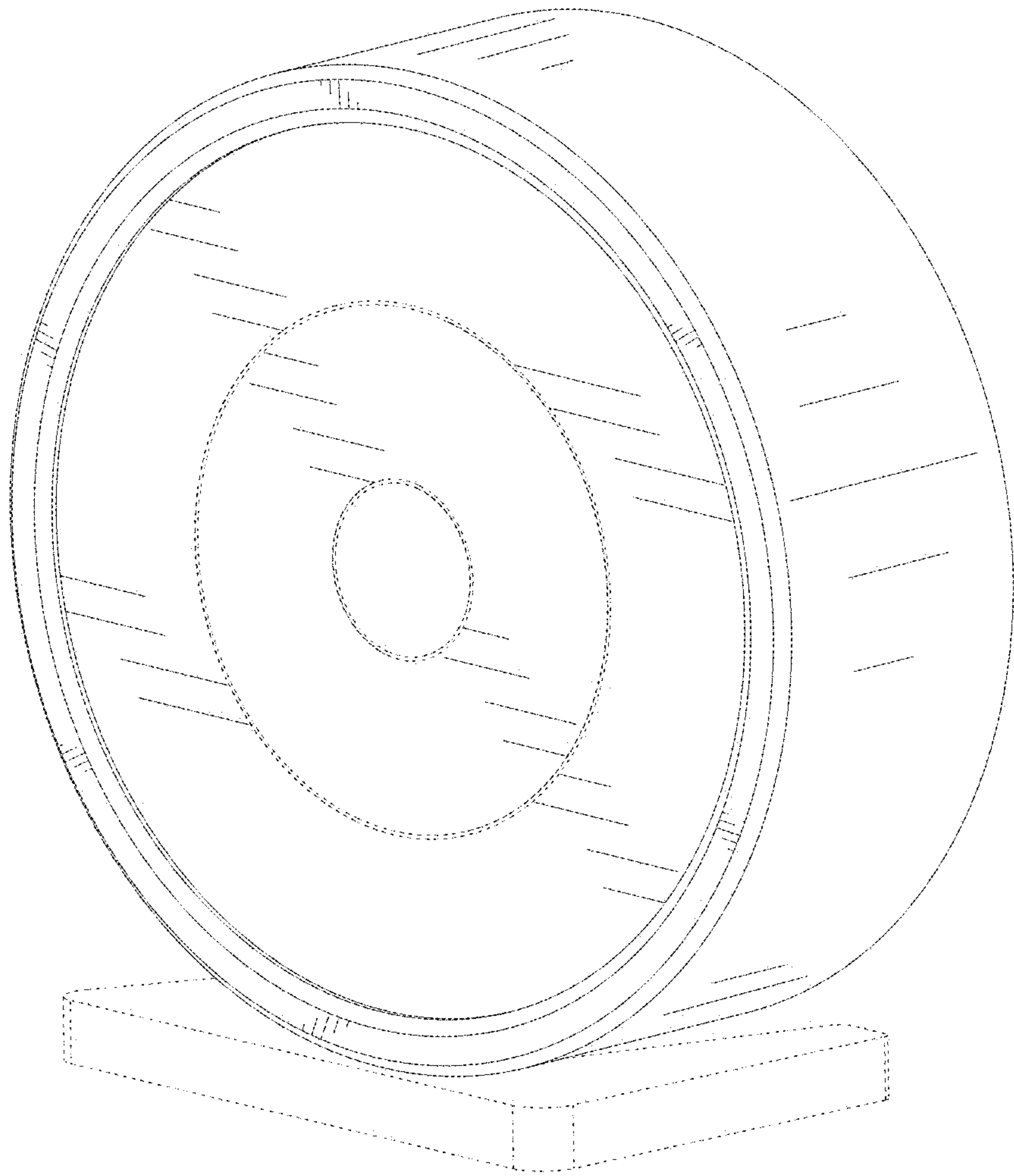
## OTHER PUBLICATIONS

“Blowback Laser Trainer System—Ultra-Realistic Training Hand Gun with Real Recoil—Includes Target for Dry Fire Shooting Practice—9mm Pistol for Indoor Firearm Range Shooting—Perfect Mens Gifts” [online]. Blowback Laser Trainer. [Product first available on May 9, 2018]. Retrieved from the Internet: <<https://www.amazon.com/dp/B07CZ23K6V>>.\*

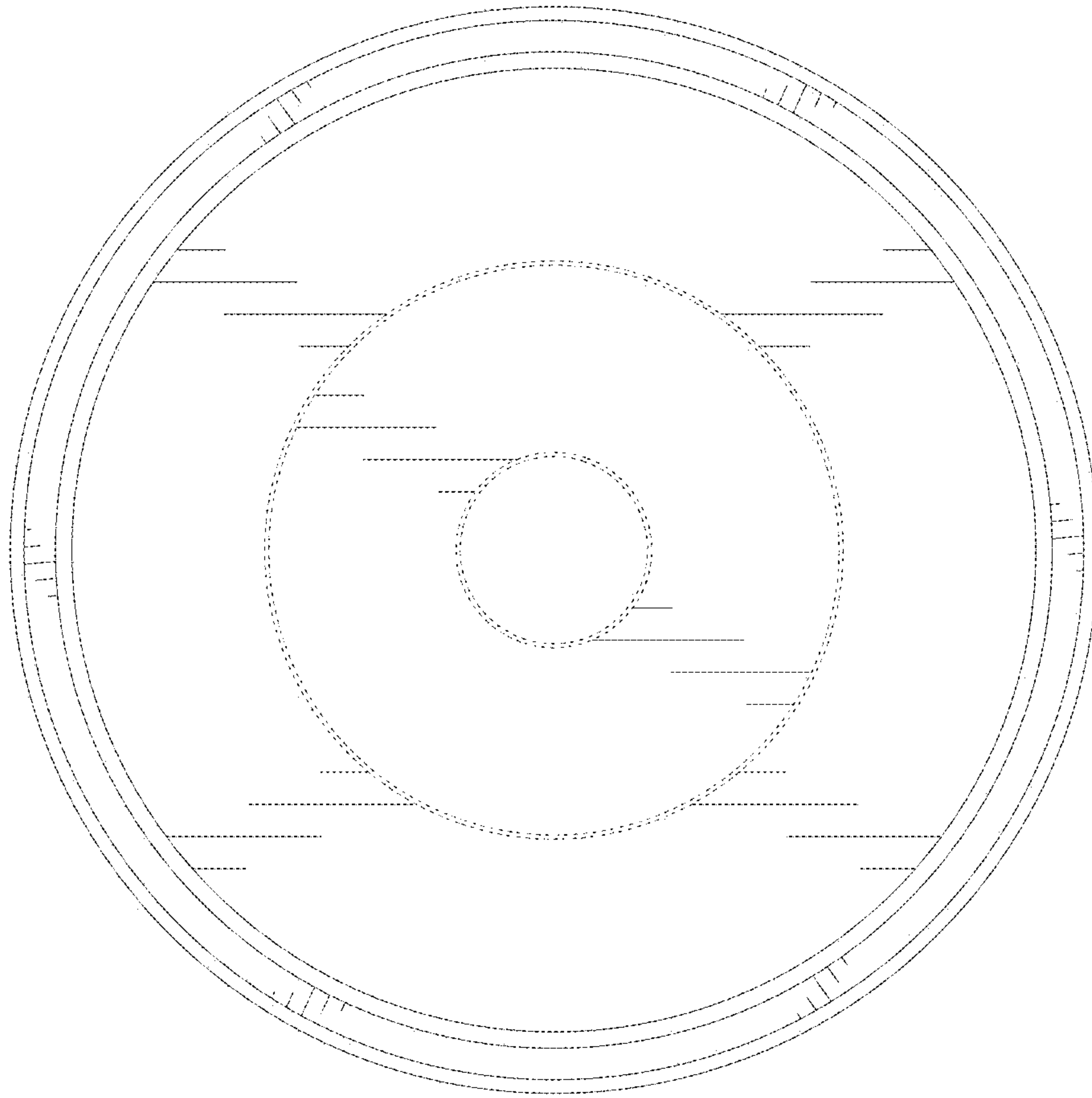
\* cited by examiner



***FIG. 1***

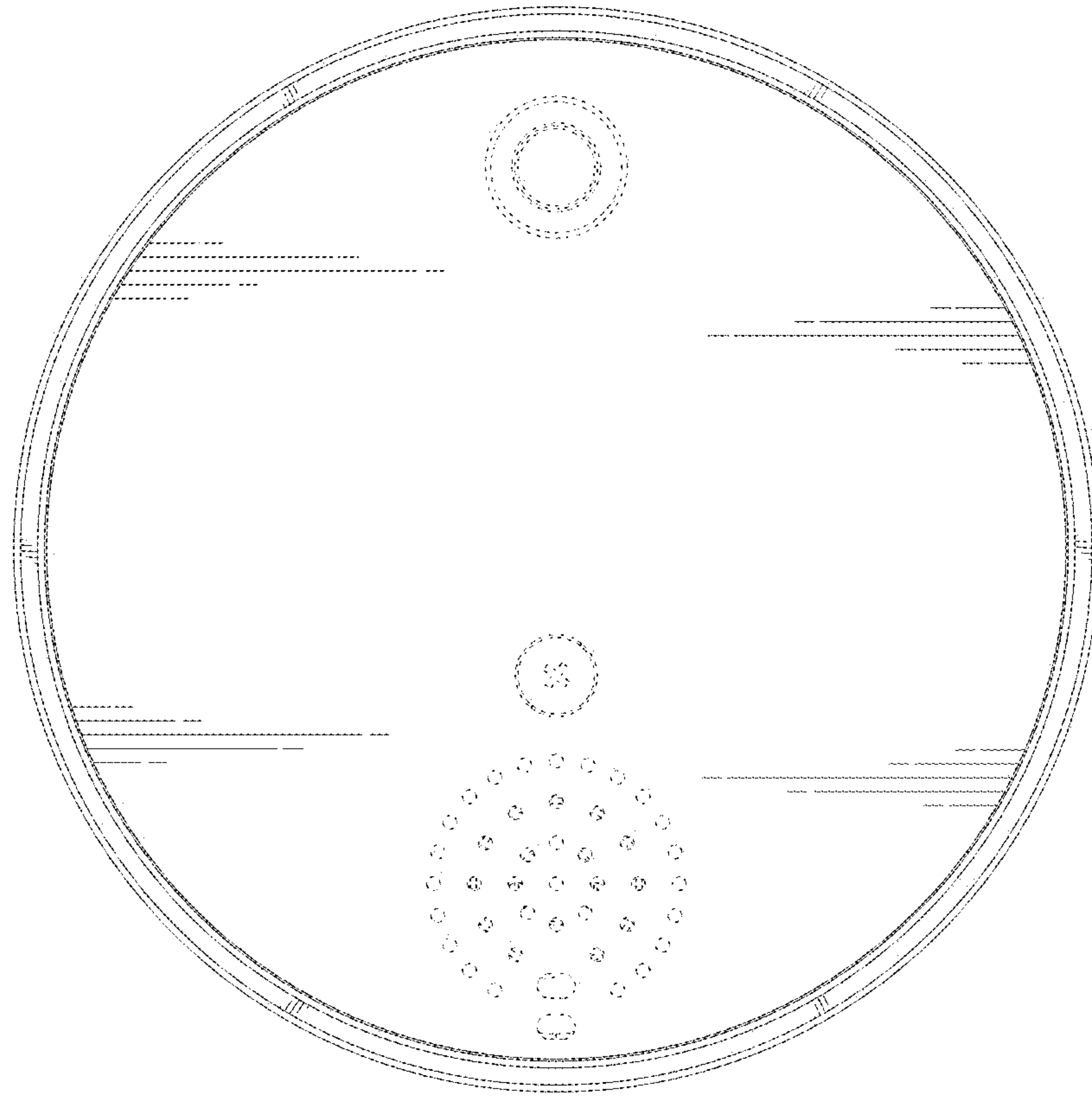


**FIG. 2**

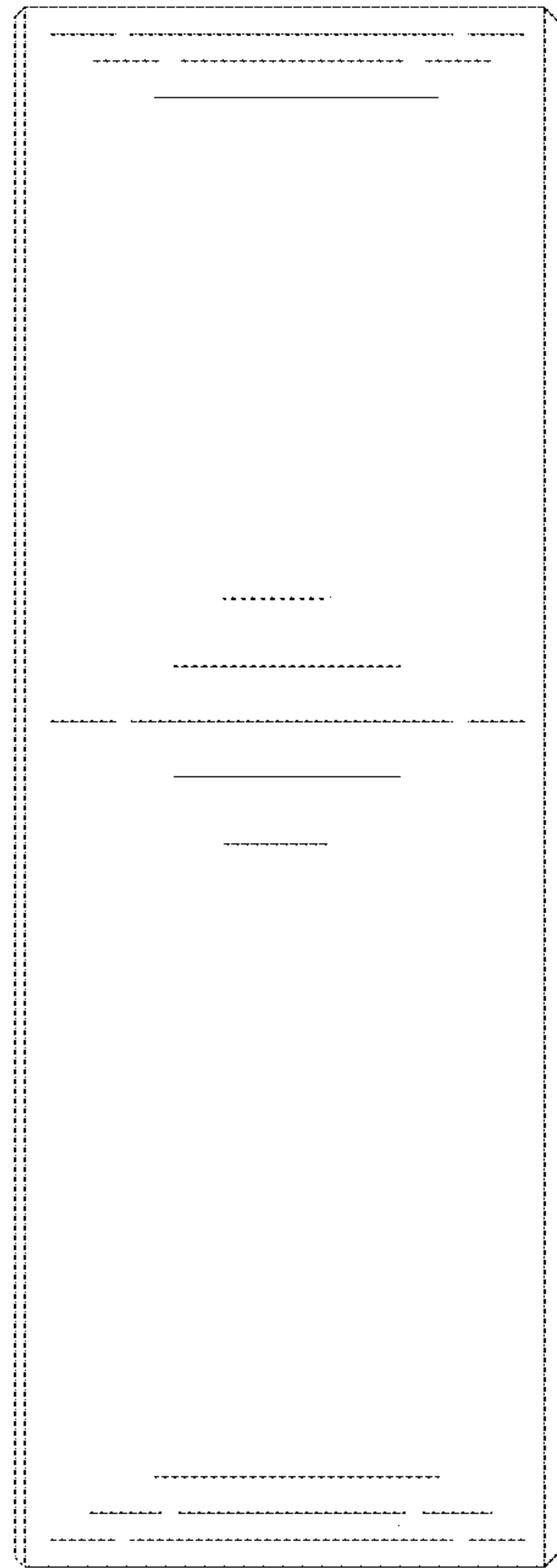


**FIG. 3**

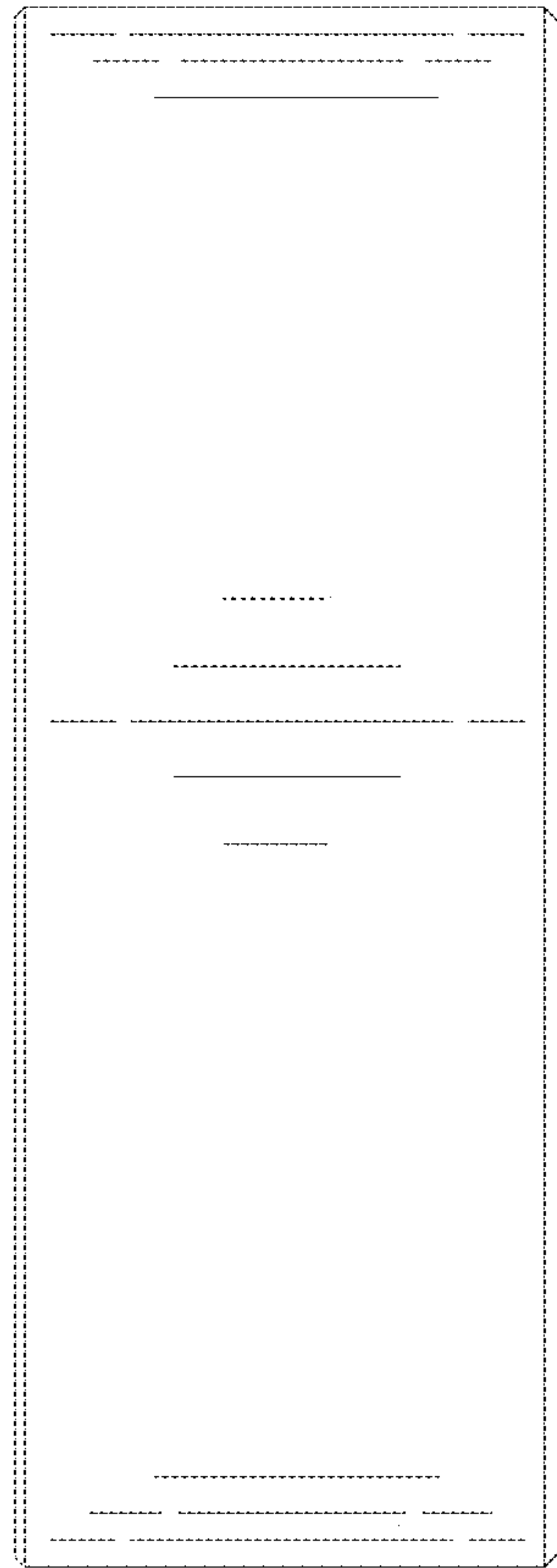




**FIG. 4**

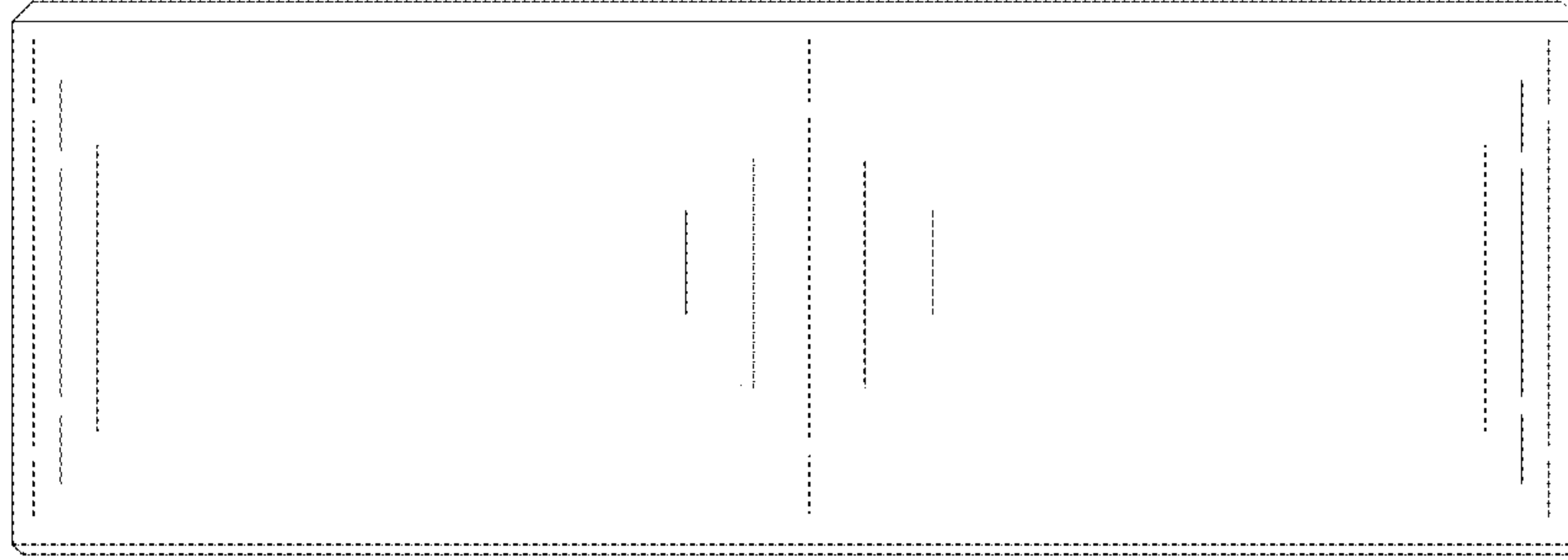


***FIG. 5***

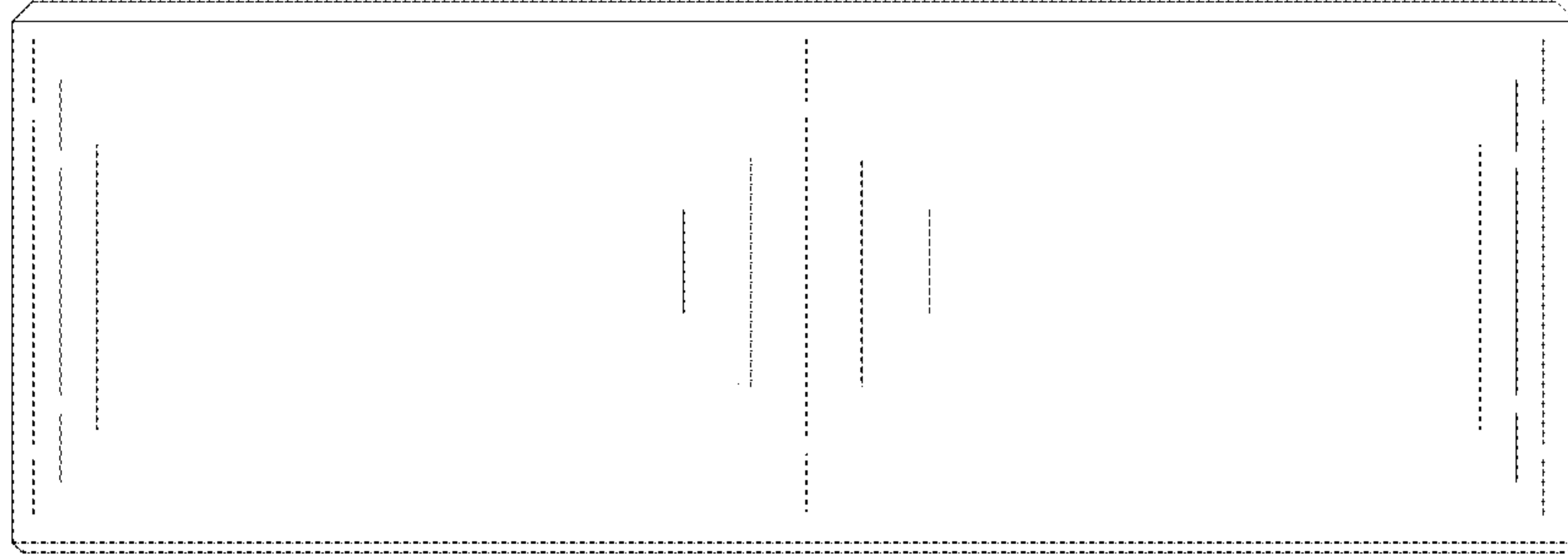


***FIG. 6***

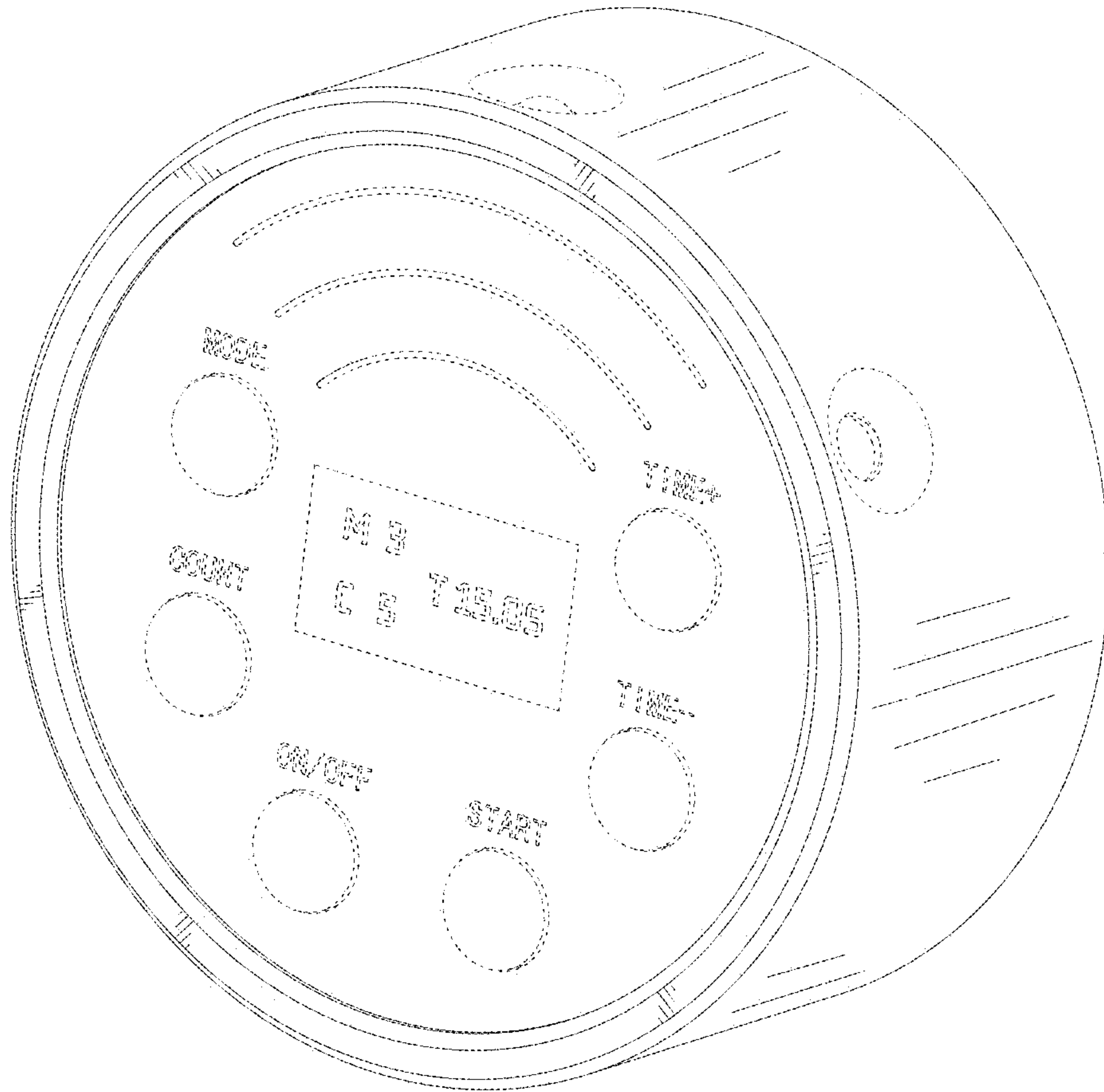




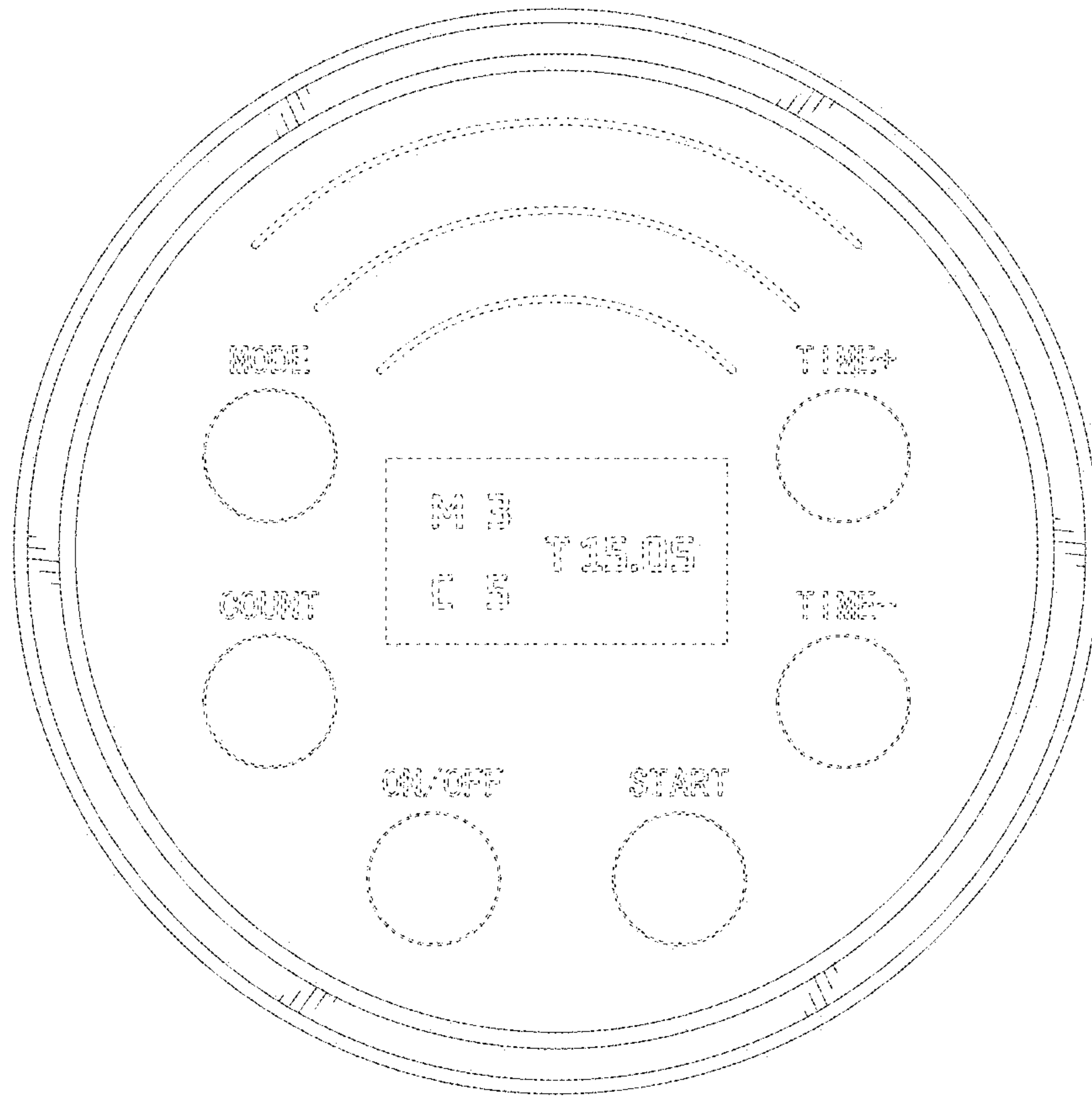
**FIG. 7**



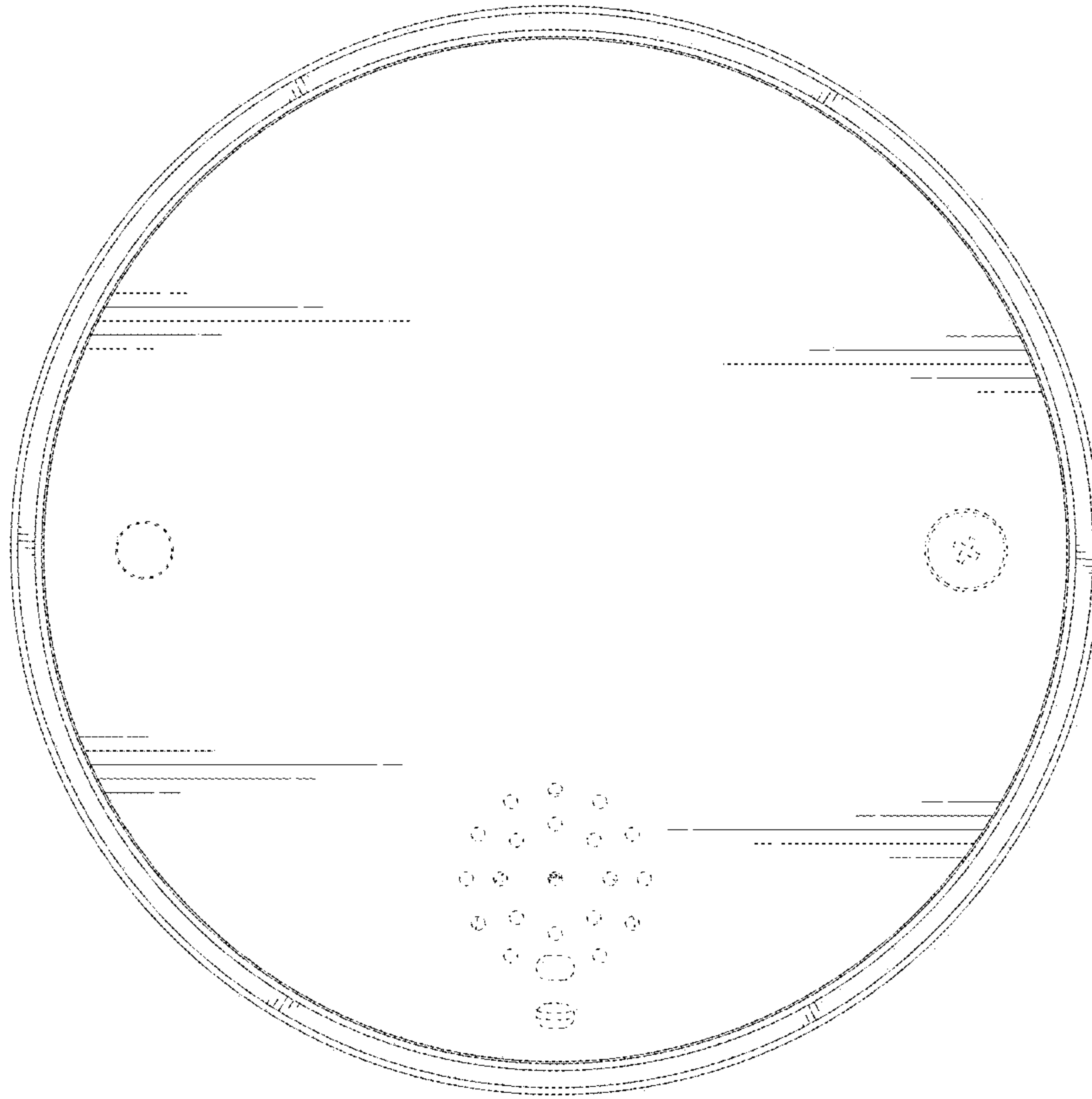
***FIG. 8***



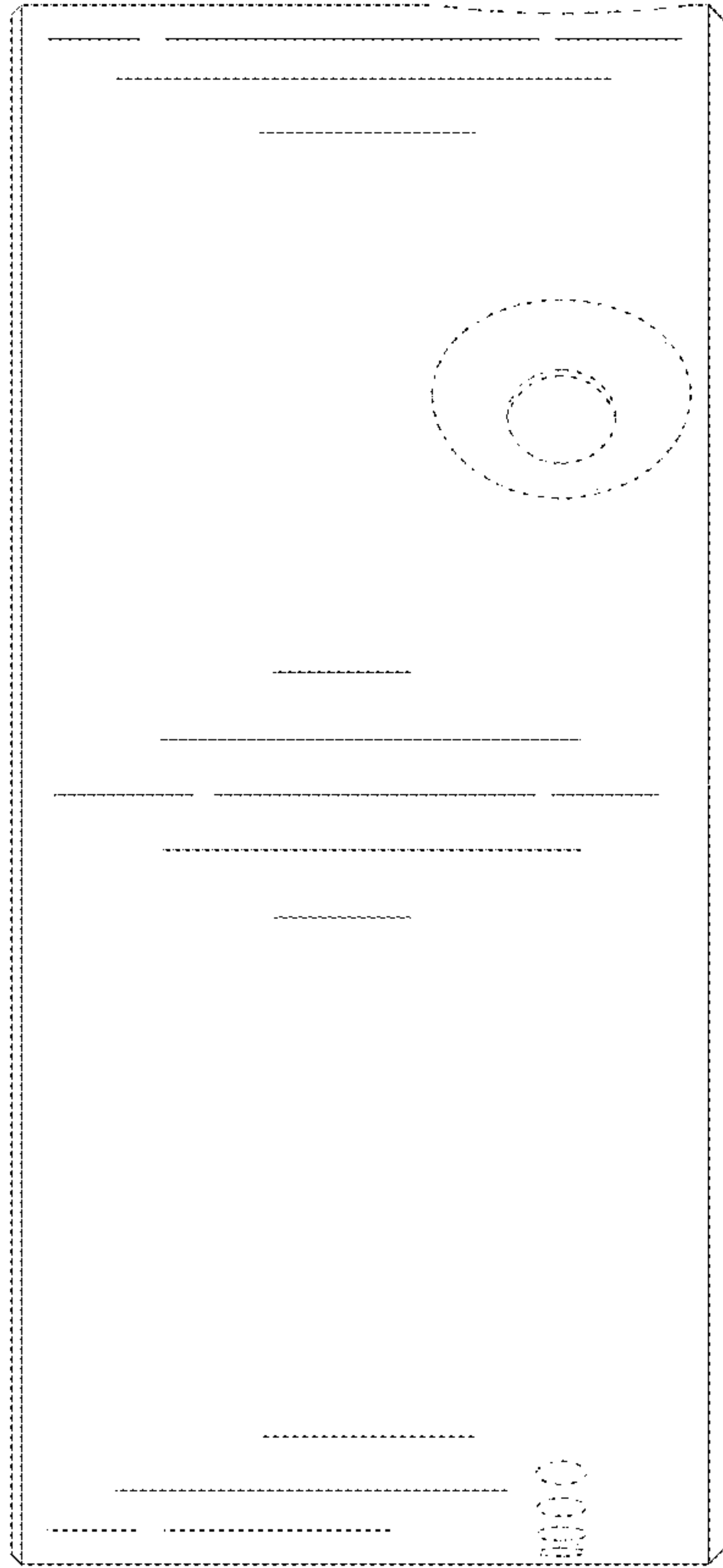
**FIG. 9**



**FIG. 10**

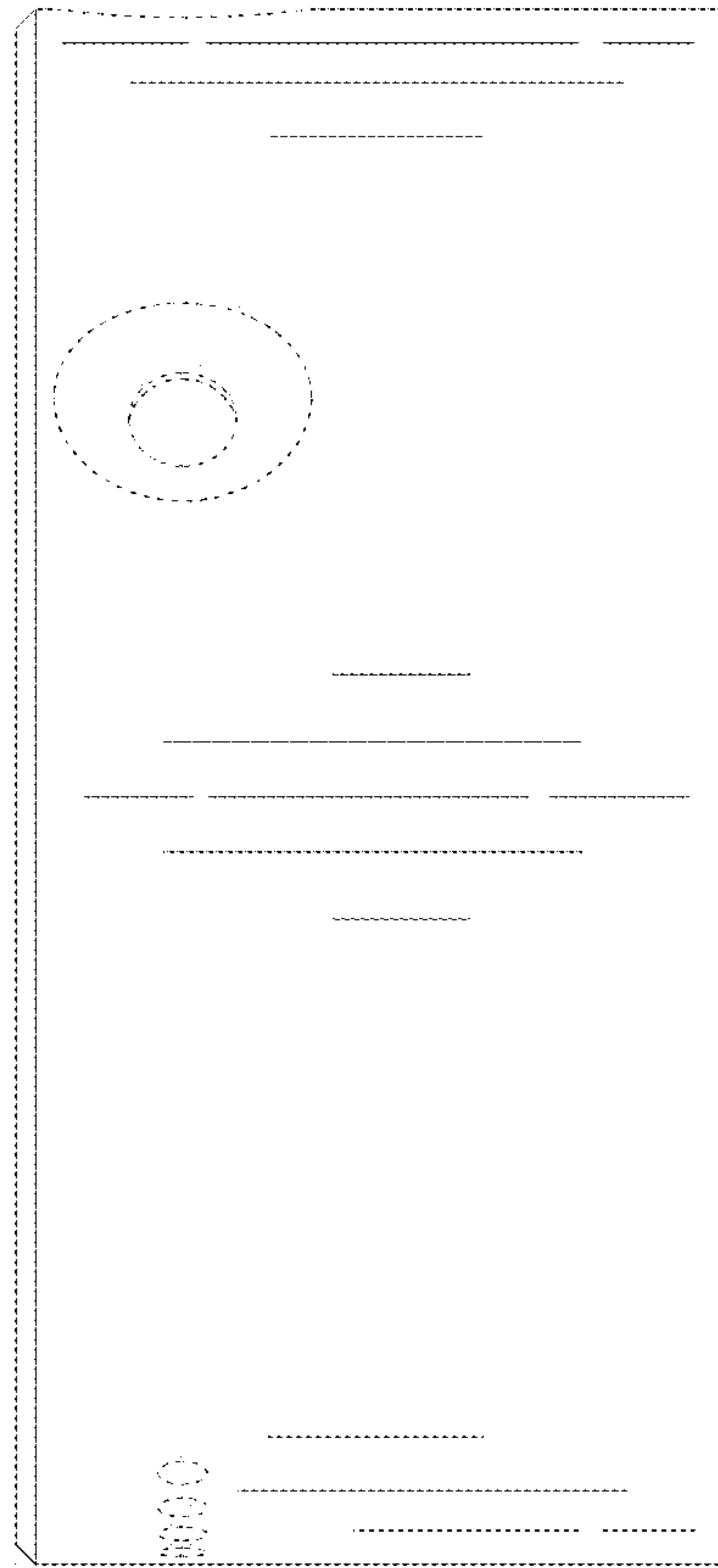


**FIG. 11**

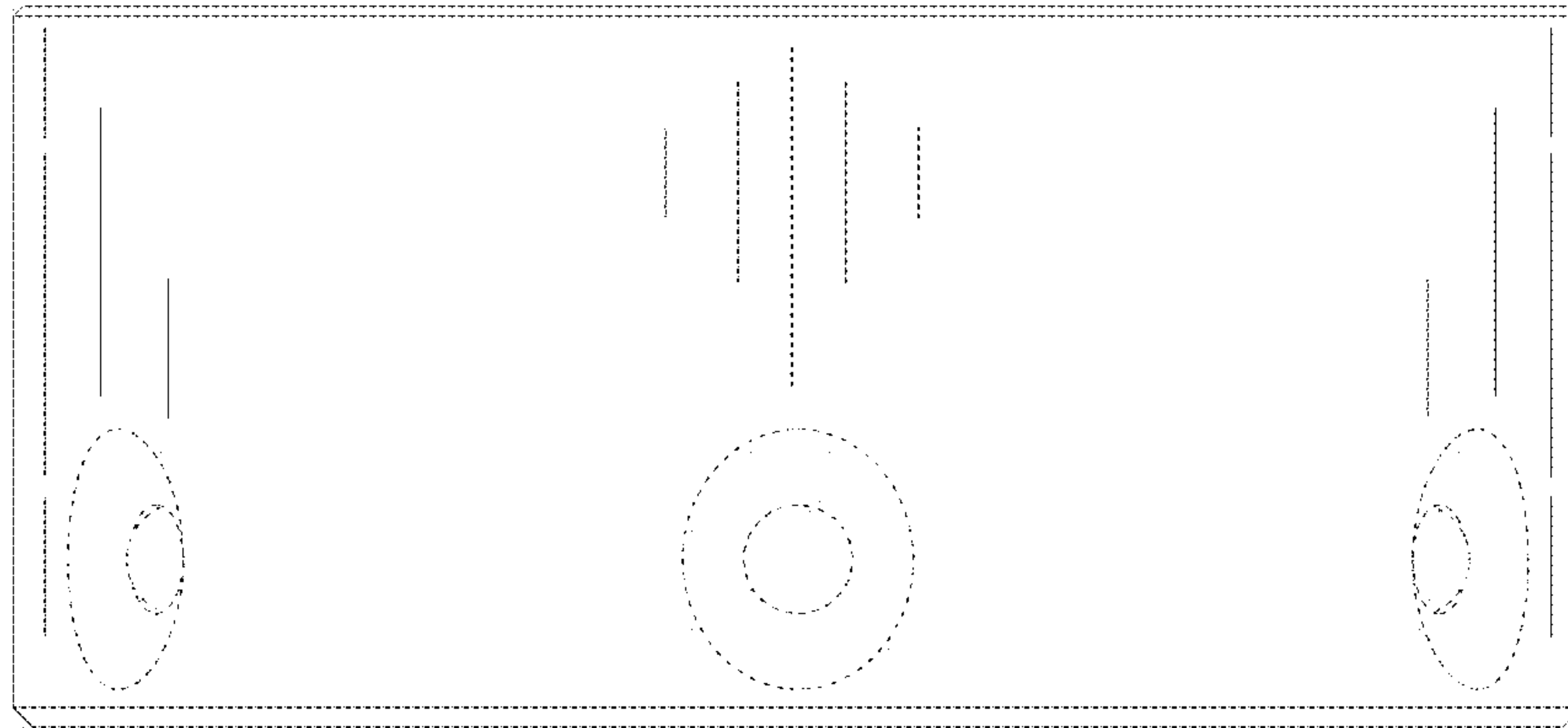


**FIG. 12**

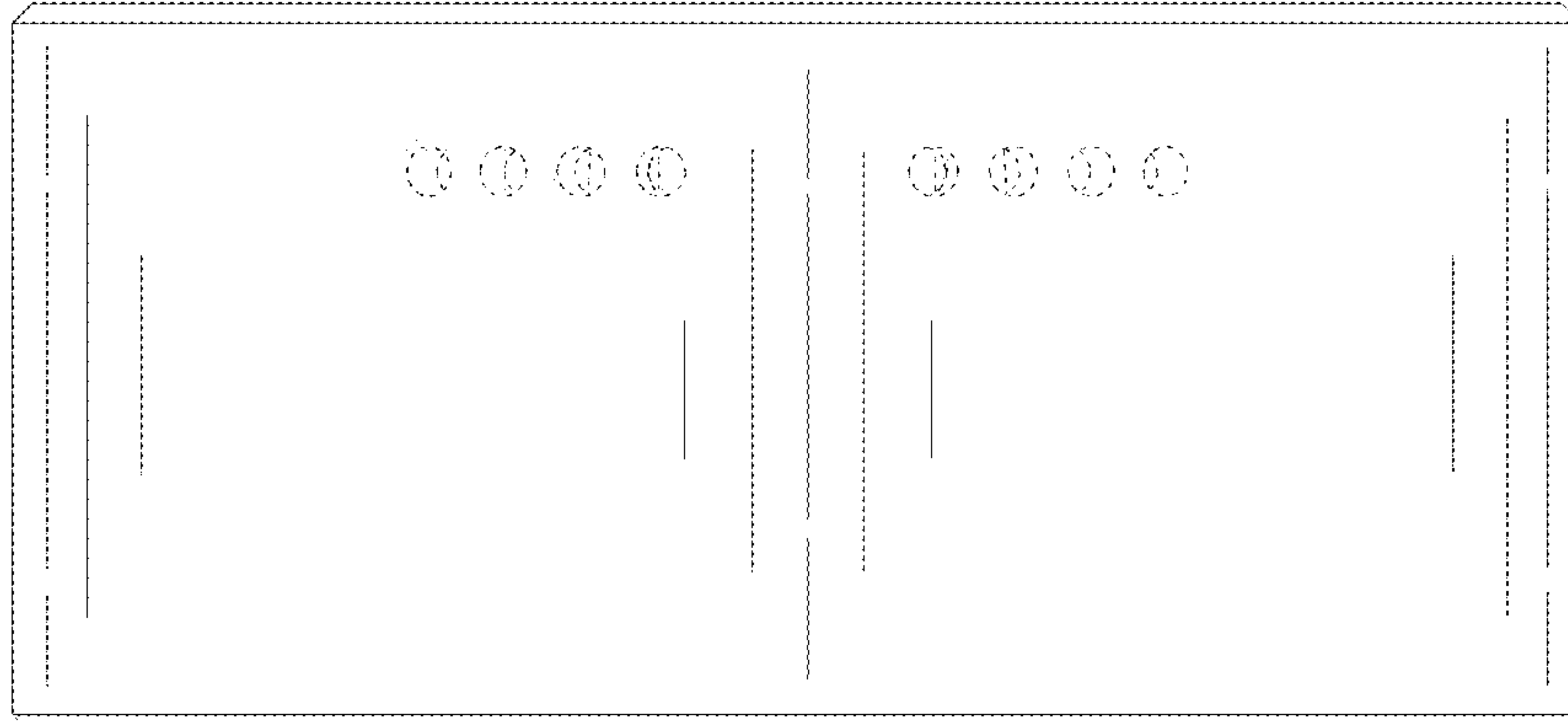




**FIG. 13**



***FIG. 14***



***FIG. 15***