



US00D978273S

(12) **United States Design Patent**
Liao

(10) **Patent No.:** **US D978,273 S**

(45) **Date of Patent:** **** Feb. 14, 2023**

(54) **INFLATABLE FLOATING HAMMOCK**

(71) Applicant: **Ruide Liao**, Quanzhou (CN)

(72) Inventor: **Ruide Liao**, Quanzhou (CN)

(**) Term: **15 Years**

(21) Appl. No.: **29/852,561**

(22) Filed: **Sep. 8, 2022**

(51) **LOC (14) Cl.** **21-02**

(52) **U.S. Cl.**
USPC **D21/809**

(58) **Field of Classification Search**
USPC D21/809, 835
CPC .. B63C 9/11; B63C 9/18; B63C 9/155; B63B
32/20; B63B 32/22; B63B 32/51; B63B
32/54; B63B 35/58; B63B 35/607; B63B
35/613; B63B 35/62
See application file for complete search history.

(56) **References Cited**

U.S. PATENT DOCUMENTS

D273,966 S *	5/1984	Piel	D6/604
D341,983 S *	12/1993	Wang	D6/604
D441,040 S *	4/2001	Cho	D21/705
D483,088 S *	12/2003	Zheng	D21/803
D501,112 S *	1/2005	Kasatshko	D6/604
D501,670 S	2/2005	Landi, Jr.		
6,881,114 B2 *	4/2005	Zheng	B63C 9/04 441/129
D530,772 S *	10/2006	Peterson	D21/803
D580,004 S *	11/2008	Peterson	D21/803
D602,266 S *	10/2009	Hagstrom	D6/333
D646,741 S *	10/2011	Akaka	D21/837
D688,345 S *	8/2013	Quaglia	D21/809
D740,904 S	10/2015	Santaw		
D741,976 S	10/2015	Lagier		
D775,296 S *	12/2016	Shir	D21/837

D781,977 S	3/2017	Lin		
D781,979 S	5/2017	Lin		
D823,966 S	7/2018	Berenson		
D828,698 S *	9/2018	Furuland	D6/391
D849,167 S	5/2019	Wang		
D881,487 S *	4/2020	Davis	D21/803
D891,558 S	7/2020	Zhang		
D903,393 S *	12/2020	Furuland	D21/837
D918,327 S *	5/2021	de Grasse	D21/809
D926,905 S	8/2021	Zhang		
D944,913 S *	3/2022	Lei	D21/809

OTHER PUBLICATIONS

Swimways Dry Float Shadester Pool Float, Jan. 1, 2022, amazon.ca, Nov. 15, 2022, URL: <https://www.amazon.com/SwimWays-6065142-Dry-Float-Shadester/dp/B0992VC8WT/> (Year: 2022).*

(Continued)

Primary Examiner — Keith J Wilson
(74) *Attorney, Agent, or Firm* — Rumit Ranjit Kanakia

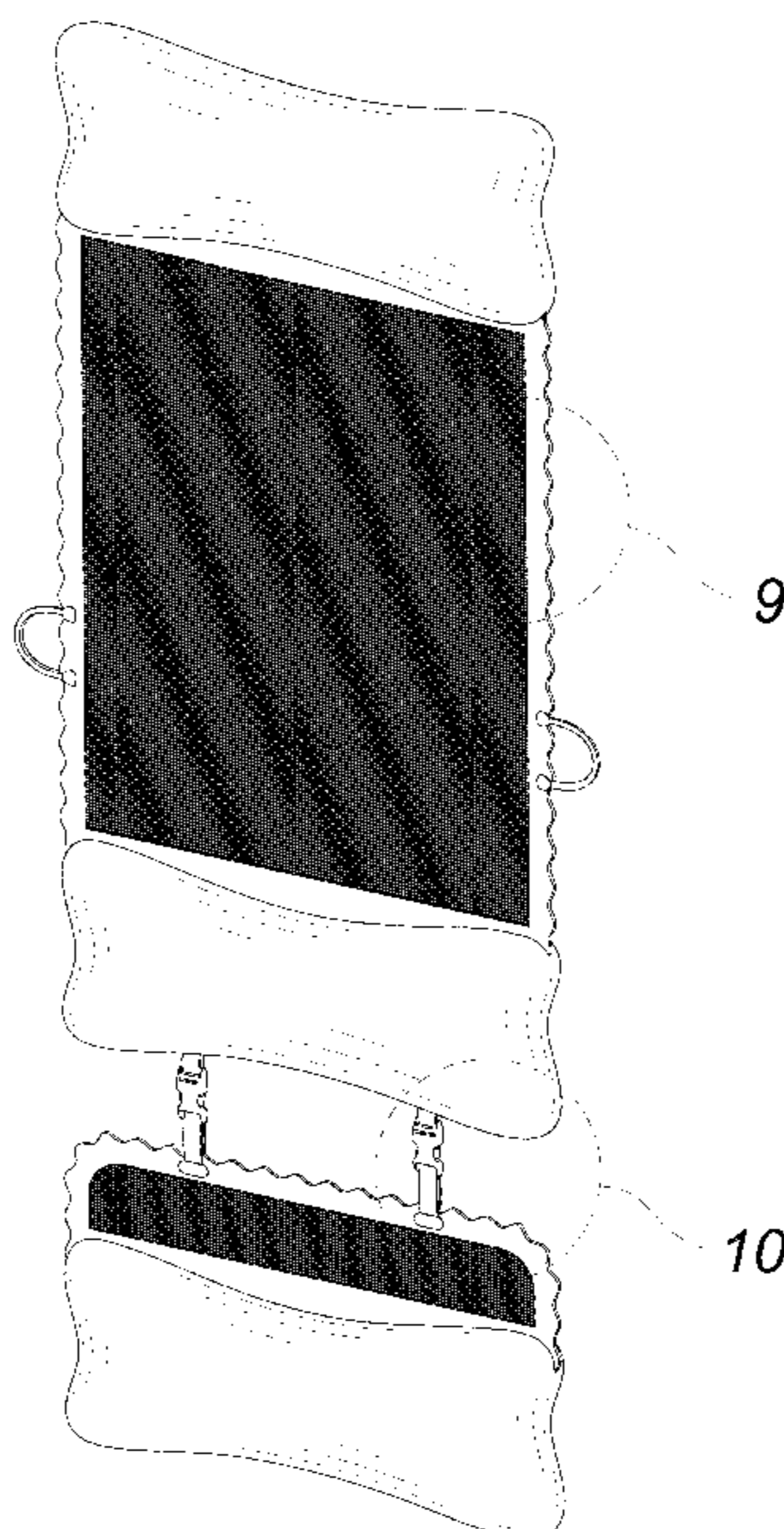
(57) **CLAIM**

The ornamental design for a inflatable floating hammock, as shown and described.

DESCRIPTION

FIG. 1 is a perspective view of a inflatable floating hammock, showing my new design;
FIG. 2 is another perspective view thereof;
FIG. 3 is a front elevational view thereof;
FIG. 4 is a rear elevational view thereof;
FIG. 5 is a left side view thereof;
FIG. 6 is a right side view thereof;
FIG. 7 is a top plan view thereof;
FIG. 8 is a bottom plan view thereof;
FIG. 9 is a partial enlarged view of FIG. 1; and,
FIG. 10 is a partial enlarged view of FIG. 1.

1 Claim, 8 Drawing Sheets



(56)

References Cited

OTHER PUBLICATIONS

Coolcooldee Pool Float with Canopy UPF50+,Fabric, Dec. 26, 2021, amazon.ca, Nov. 15, 2022, URL: <https://www.amazon.com/dp/B09P5JMRDD/> (Year: 2021).*

Lanlelin New Pool Floaties with Inflatorand Storage Bag,Jul. 7, 2021, amazon.ca, Nov. 15, 2022, URL: <https://www.amazon.ca/Lanlelin-Floaties-Inflator-Comfortable-Ergonomics/> (Year: 2021).*

* cited by examiner

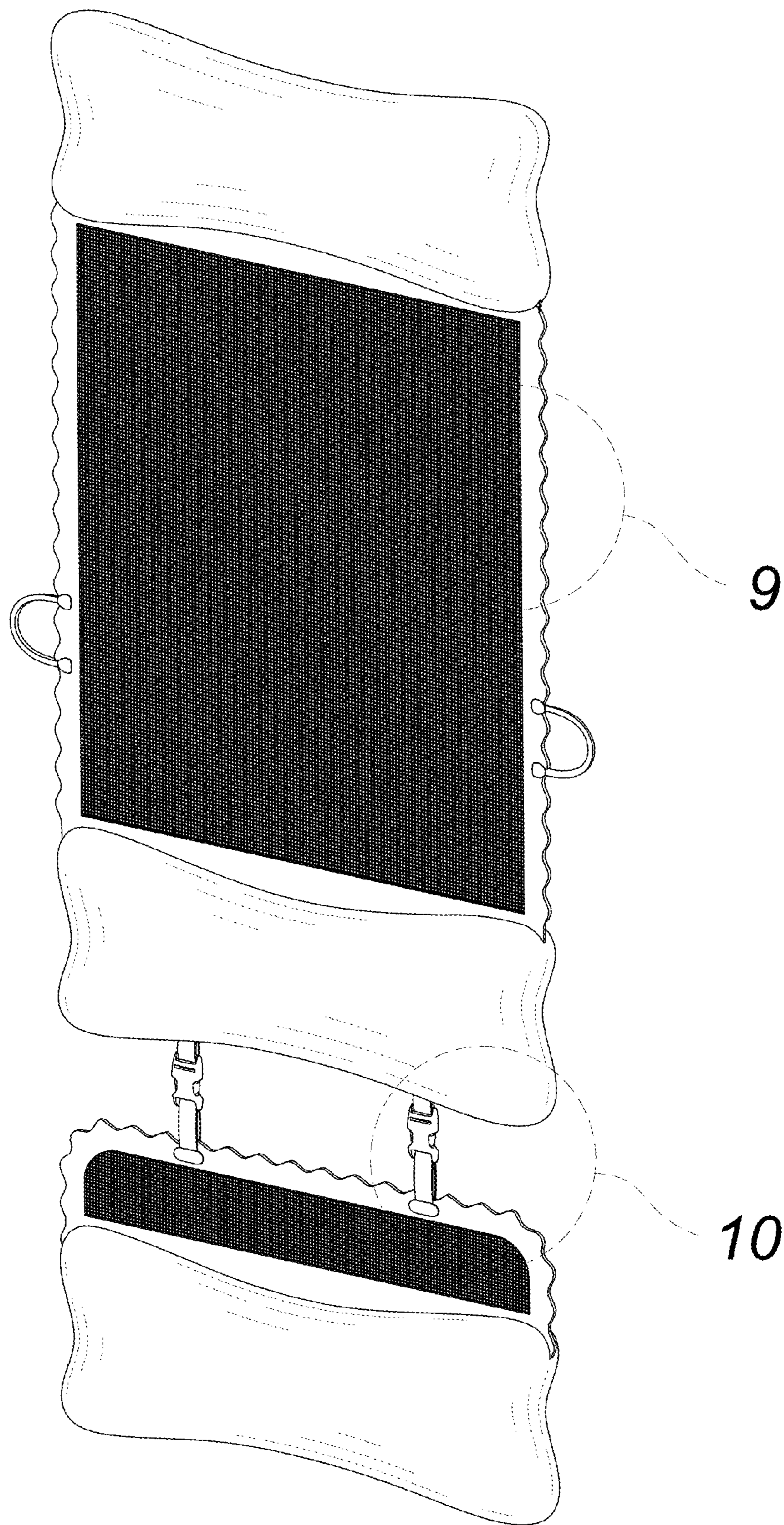


FIG. 1

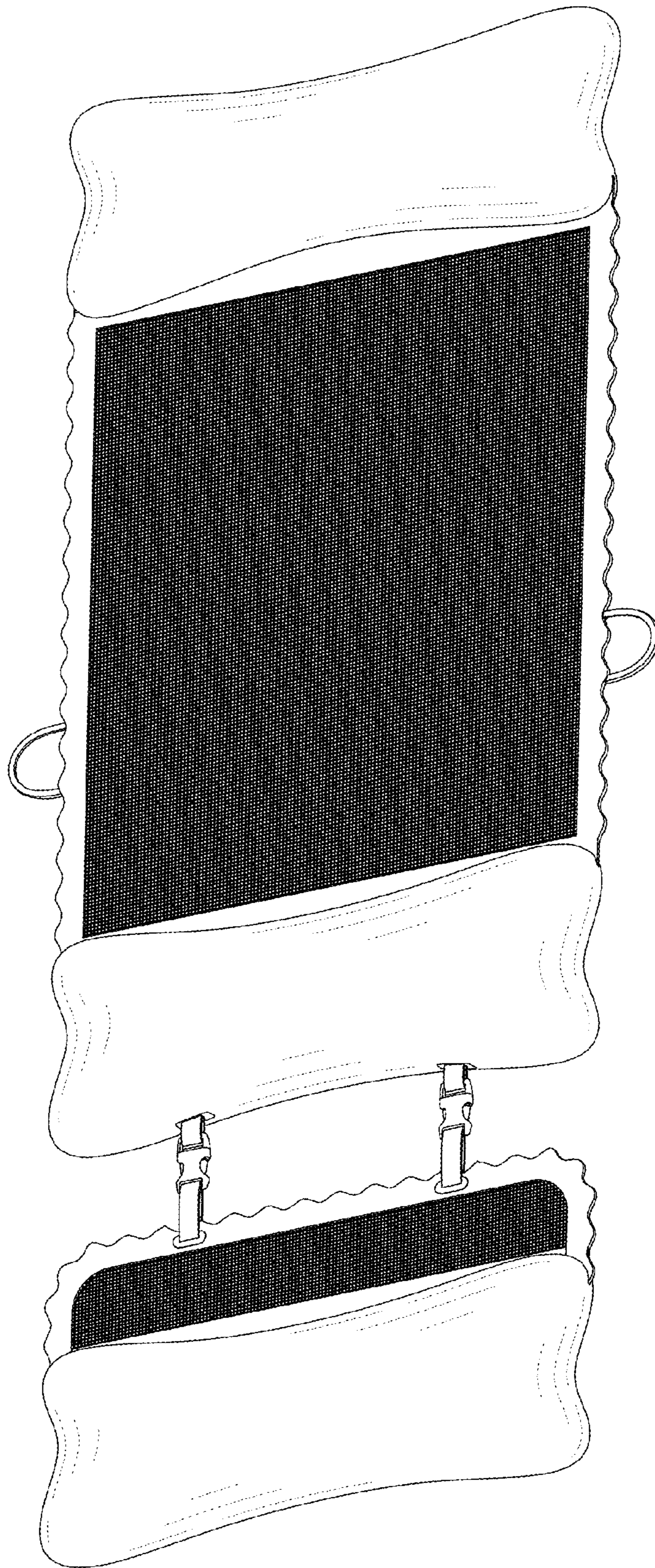


FIG.2

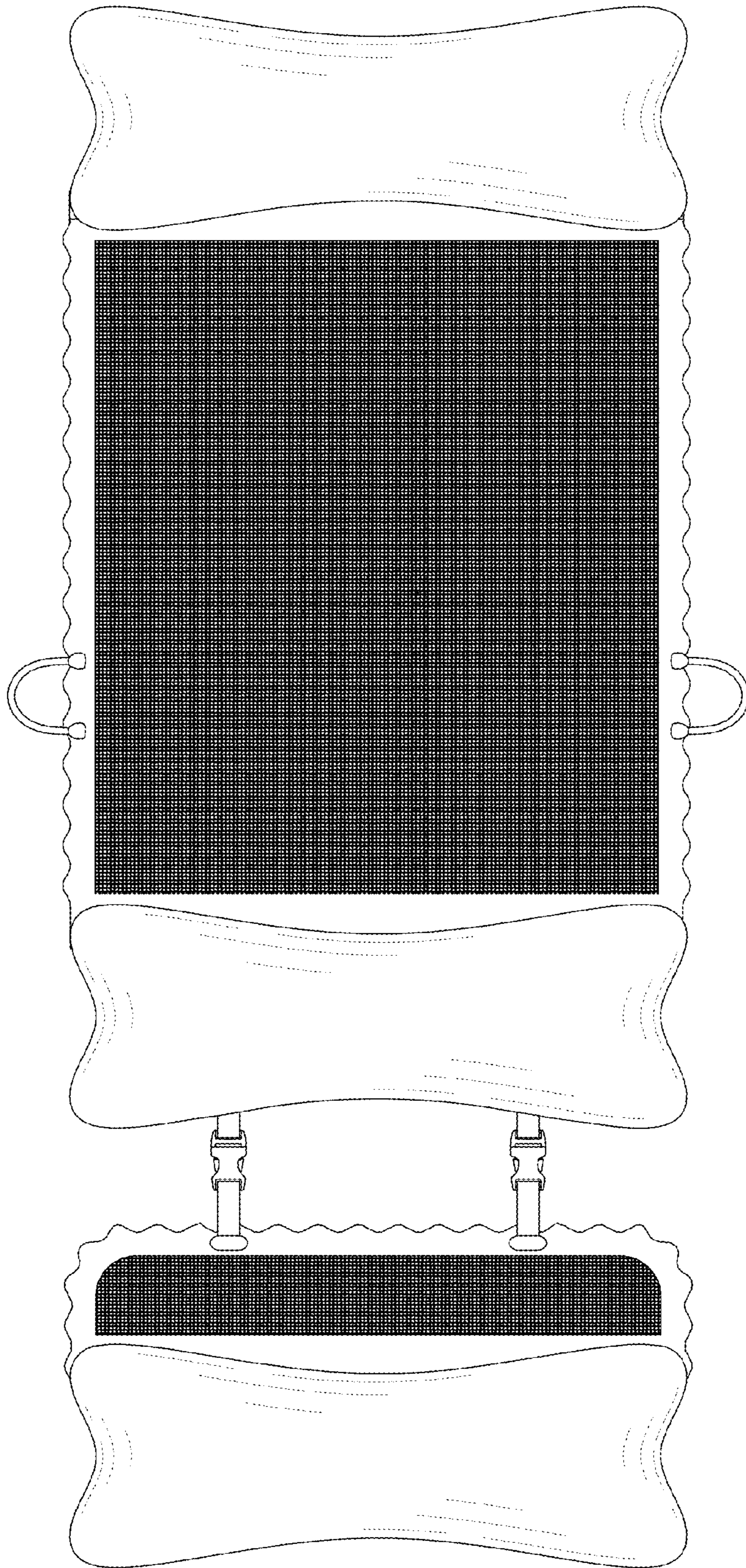


FIG.3

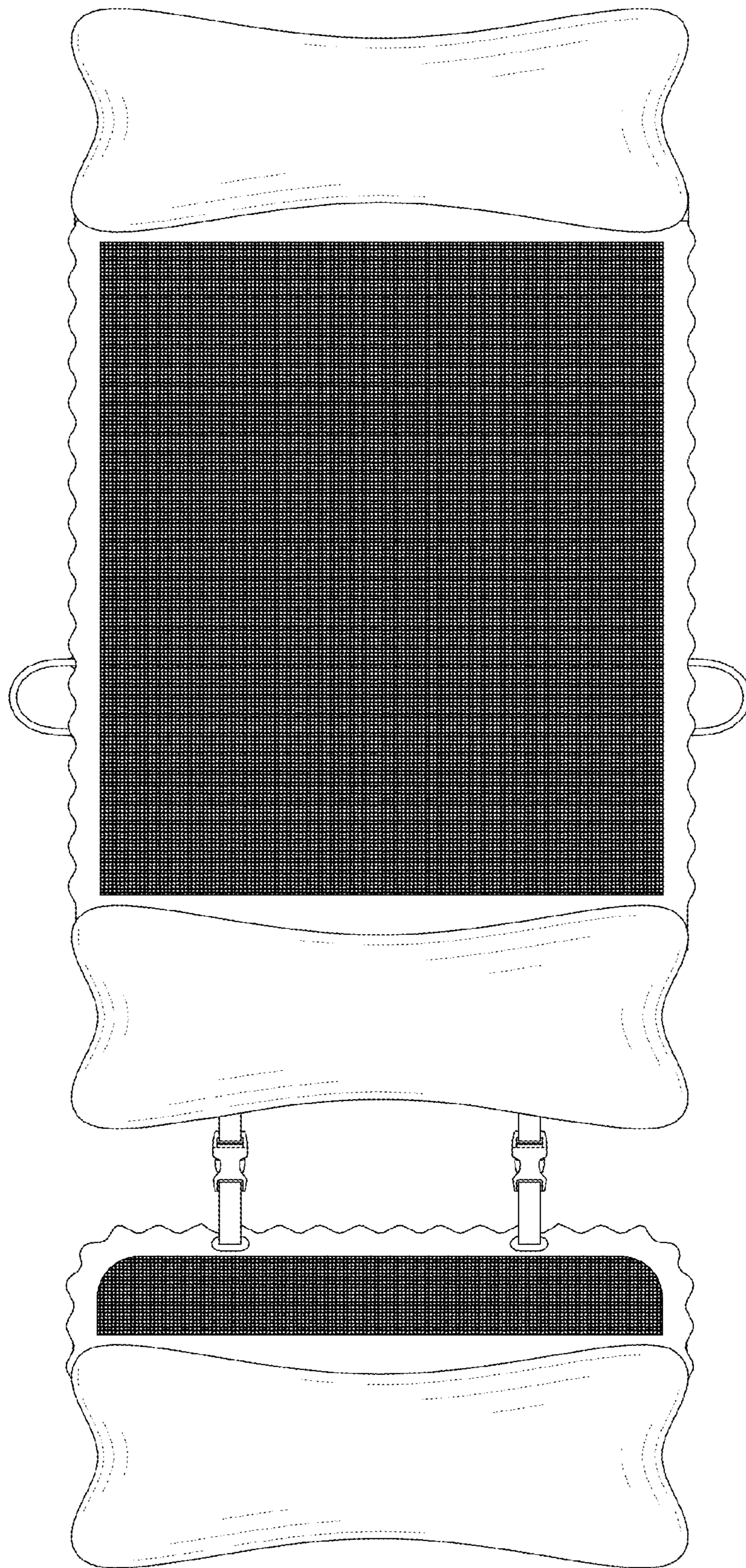


FIG. 4

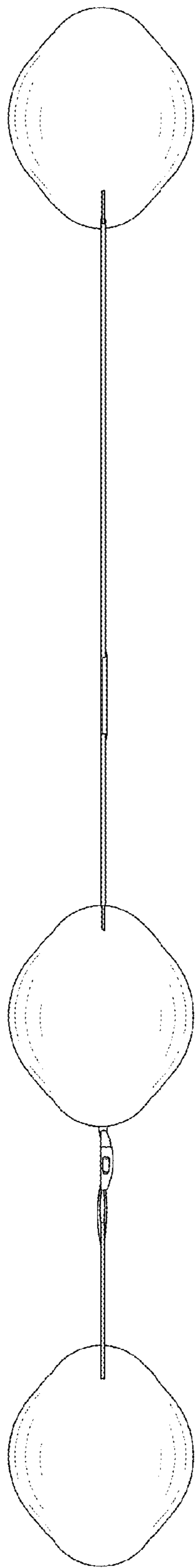


FIG. 5

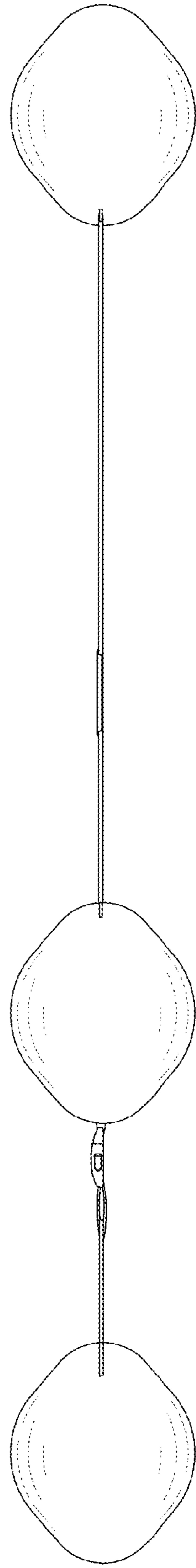


FIG. 6

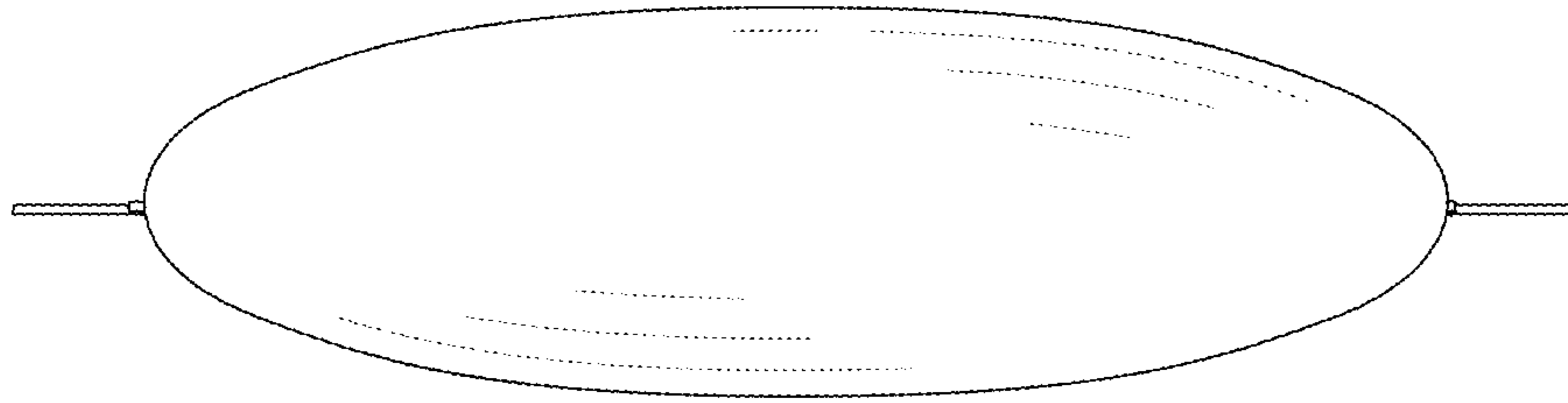


FIG. 7

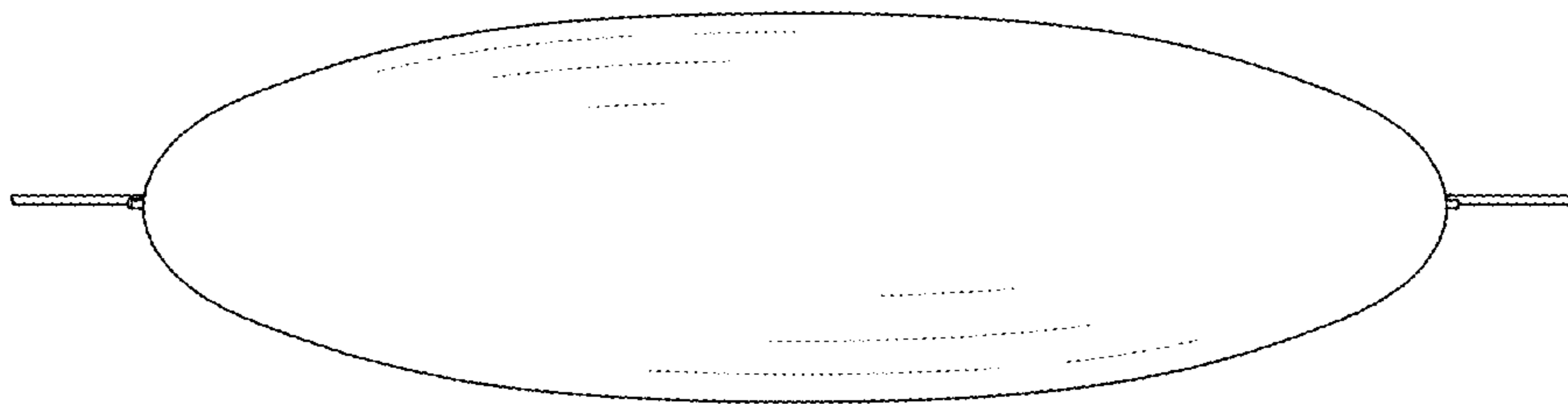


FIG. 8

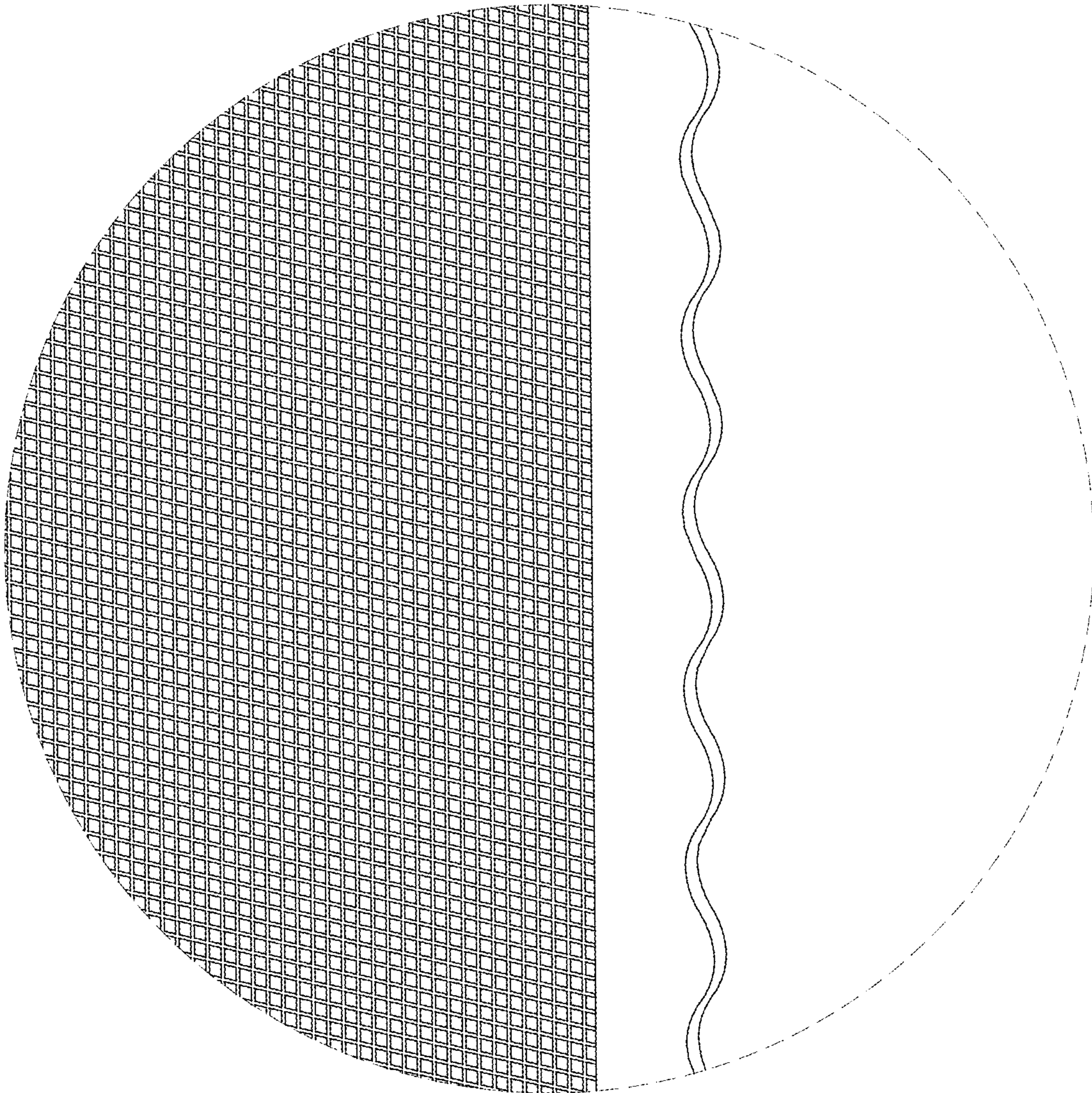


FIG. 9

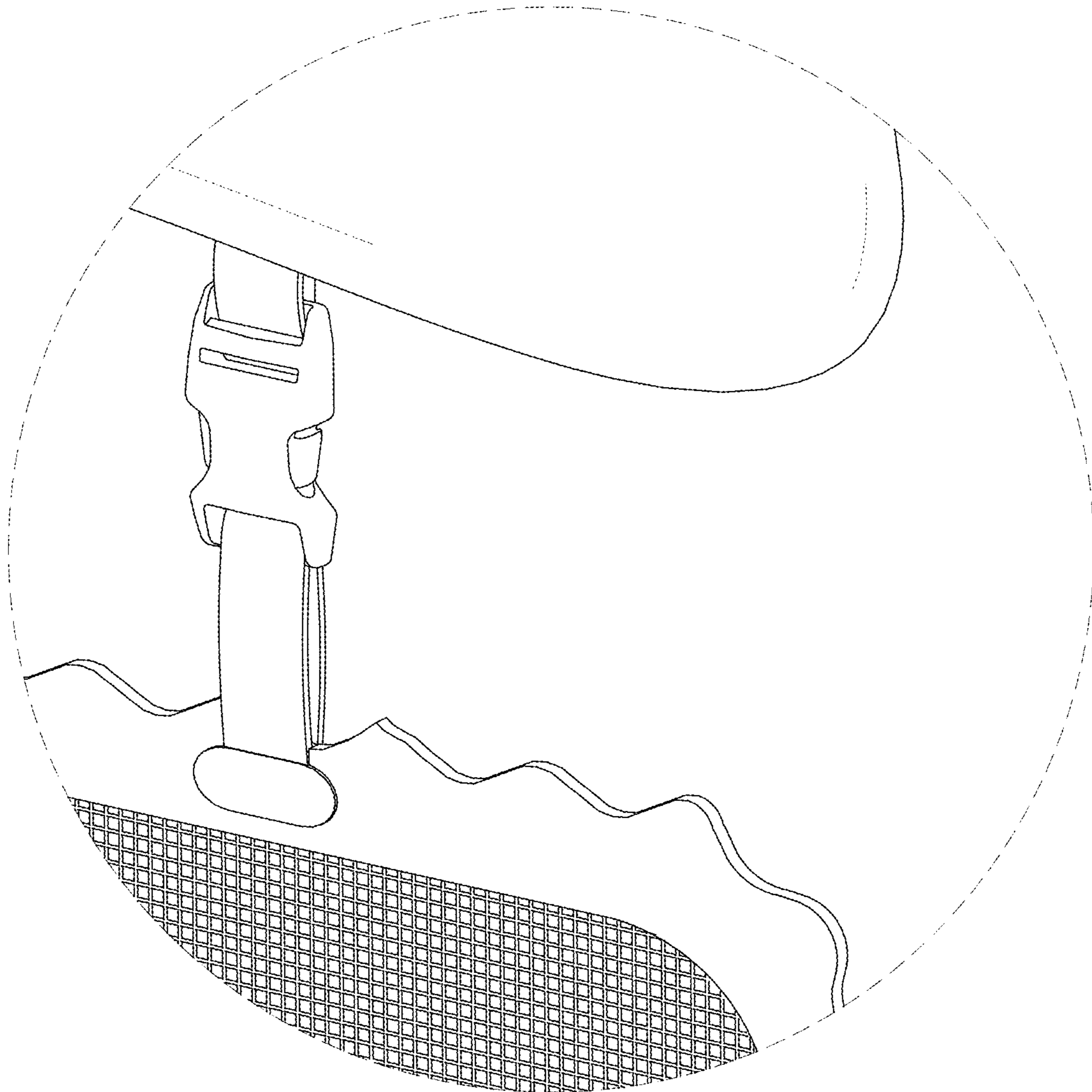


FIG. 10