



US00D978269S

(12) **United States Design Patent** (10) **Patent No.:** **US D978,269 S**
Toulon et al. (45) **Date of Patent:** **** Feb. 14, 2023**

(54) **PUTTER HEAD**

FOREIGN PATENT DOCUMENTS

(71) Applicant: **Callaway Golf Company**, Carlsbad, CA (US)

CN 201330003202 * 1/2013

(72) Inventors: **Sean Toulon**, Vista, CA (US); **Luke Williams**, Carlsbad, CA (US); **Joseph E. Toulon**, San Marcos, CA (US); **Patrick Dawson**, Poway, CA (US)

OTHER PUBLICATIONS

Intech, announced 2017 [online], [site visited Oct. 25, 2022]. Available on the internet, URL: <https://www.amazon.com/Intech-Trakker-Blade-Putter-Right/dp/B06Y5MCZY5/ref> (Year: 2017).*

(Continued)

(73) Assignee: **Topgolf Callaway Brands Corp.**, Carlsbad, CA (US)

Primary Examiner — Khawaja Anwar

Assistant Examiner — Julice Seung Eun Oum

(**) Term: **15 Years**

(74) *Attorney, Agent, or Firm* — Michael A. Catania; Rebecca Hanovice; Sonia Lari

(21) Appl. No.: **29/794,534**

(57) **CLAIM**

(22) Filed: **Jun. 14, 2021**

The ornamental design for a putter head, as shown and described.

(51) **LOC (14) Cl.** **21-02**

DESCRIPTION

(52) **U.S. Cl.**
USPC **D21/759**

(58) **Field of Classification Search**
USPC D21/759, 789, 747, 750
See application file for complete search history.

(56) **References Cited**

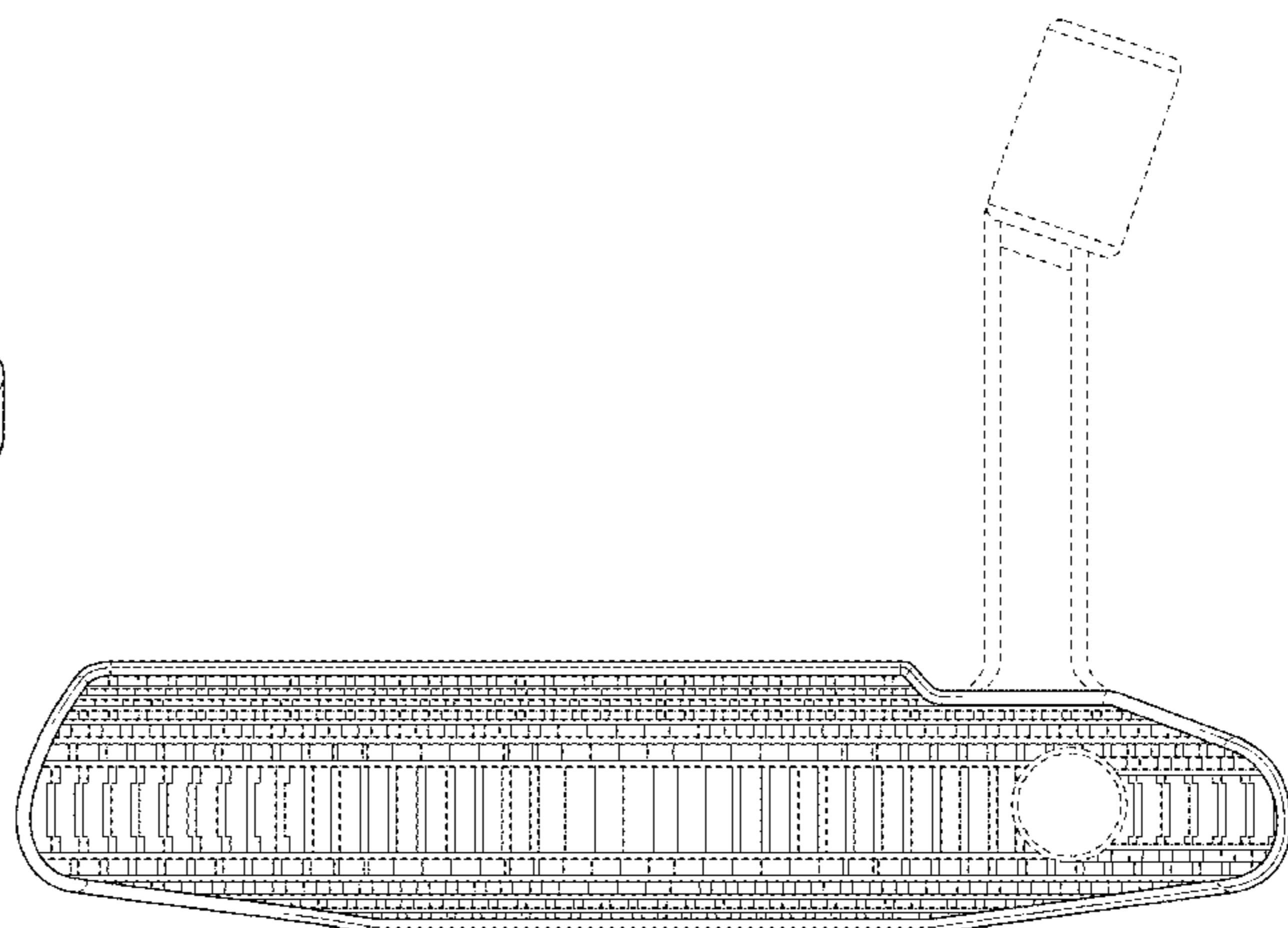
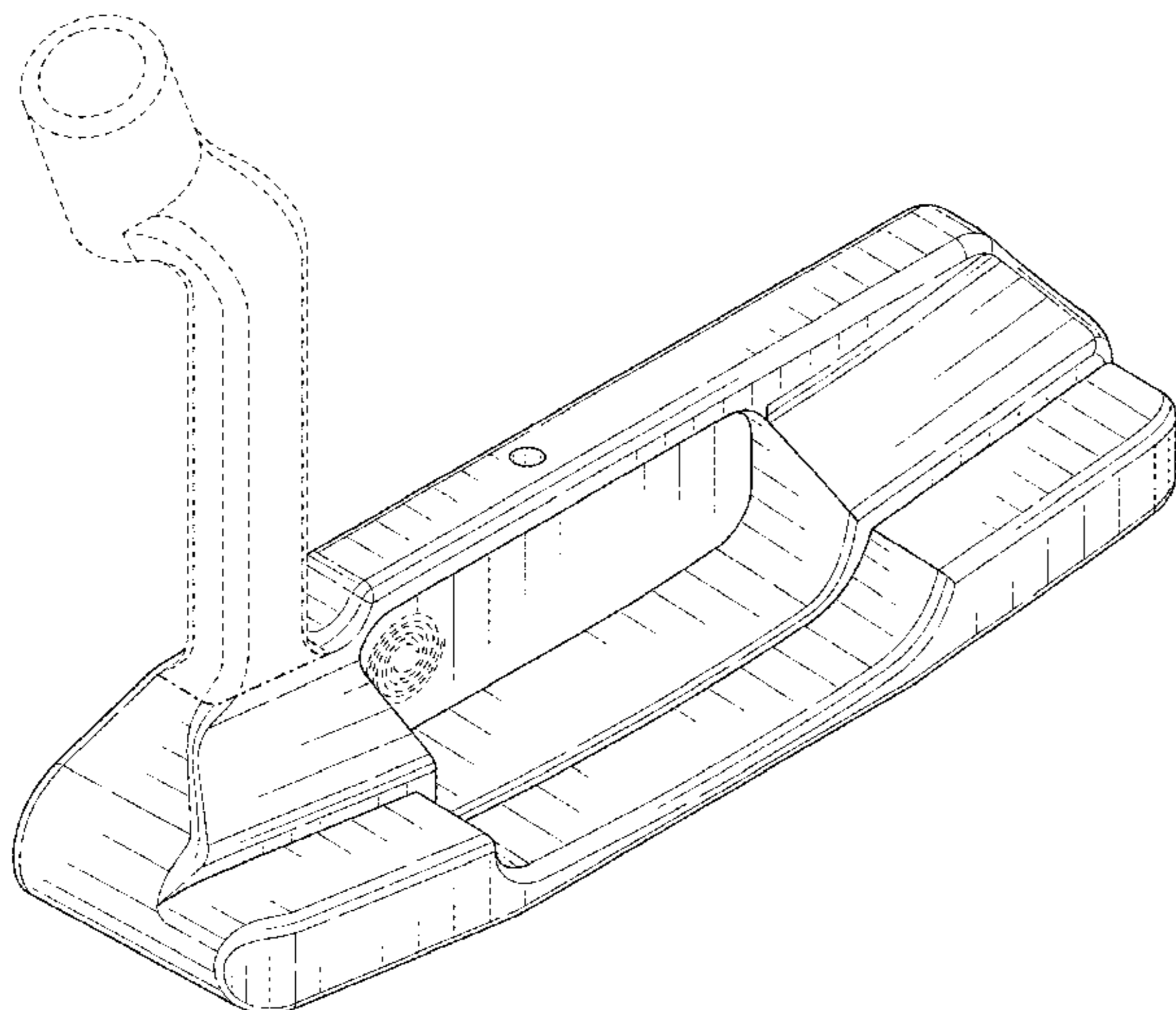
U.S. PATENT DOCUMENTS

D426,599 S *	6/2000	Morgan	D21/736
D443,906 S *	6/2001	Hettinger	D21/743
D498,276 S *	11/2004	Schweigert	D21/743
D548,294 S *	8/2007	Nguyen	D21/736
D590,462 S *	4/2009	Hettinger	D21/743
D638,892 S *	5/2011	Hettinger	D21/743
D643,893 S *	8/2011	Rollinson	D21/742
D648,407 S *	11/2011	Teramoto	D21/743
D650,456 S *	12/2011	Tang	D21/743
D769,383 S *	10/2016	Abbott	D21/743
9,517,394 B1 *	12/2016	Dacey	A63B 53/0487
D818,551 S *	5/2018	Toulon	D21/759

(Continued)

FIG. 1 is a rear perspective view of a first embodiment of the putter head claimed herein;
FIG. 2 is a rear elevational view thereof;
FIG. 3 is a front elevational view thereof;
FIG. 4 is a right side elevational view thereof;
FIG. 5 is a left side elevational view thereof;
FIG. 6 is a top plan view thereof;
FIG. 7 is a bottom perspective view thereof; and
FIG. 8 is a rear perspective view of a second embodiment of the putter head claimed herein;
FIG. 9 is a rear elevational view thereof;
FIG. 10 is a front elevational view thereof;
FIG. 11 is a right side elevational view thereof;
FIG. 12 is a left side elevational view thereof;
FIG. 13 is a top plan view thereof; and,
FIG. 14 is a bottom perspective view thereof.
The broken lines shown form no part of the claimed design.

1 Claim, 10 Drawing Sheets



(56)

References Cited

U.S. PATENT DOCUMENTS

D912,746 S * 3/2021 Toulon D21/743
2003/0190973 A1* 10/2003 Chiang A63B 60/00
473/340
2012/0252594 A1* 10/2012 Solheim A63B 53/0487
473/340
2020/0282268 A1* 9/2020 Lapuz A63B 53/021

OTHER PUBLICATIONS

Cleveland, announced 2020 [online], [site visited Oct. 25, 2022].
Available on the internet, URL:<https://www.amazon.com/Cleveland-Golf-HB-Soft-Satin/dp/B08FCZY9NQ/ref> (Year: 2020).*

Founders, announced 2018 [online], [site visited Oct. 25, 2022].
Available on the internet, URL:<https://www.amazon.com/Founders-Club-Model-Putters-Handed/dp/B07JPZSVRG/ref> (Year: 2018).*

* cited by examiner

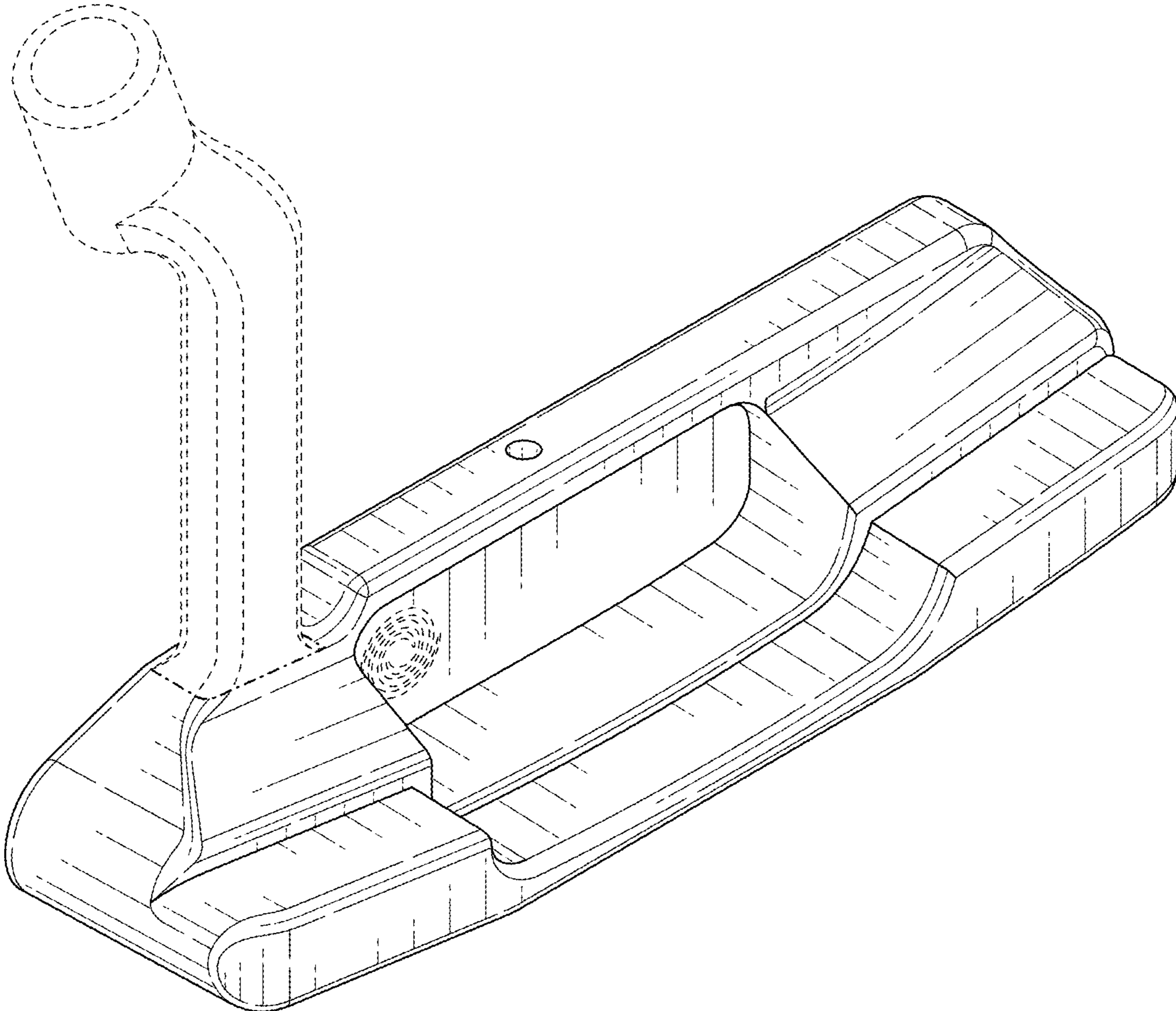


FIG. 1

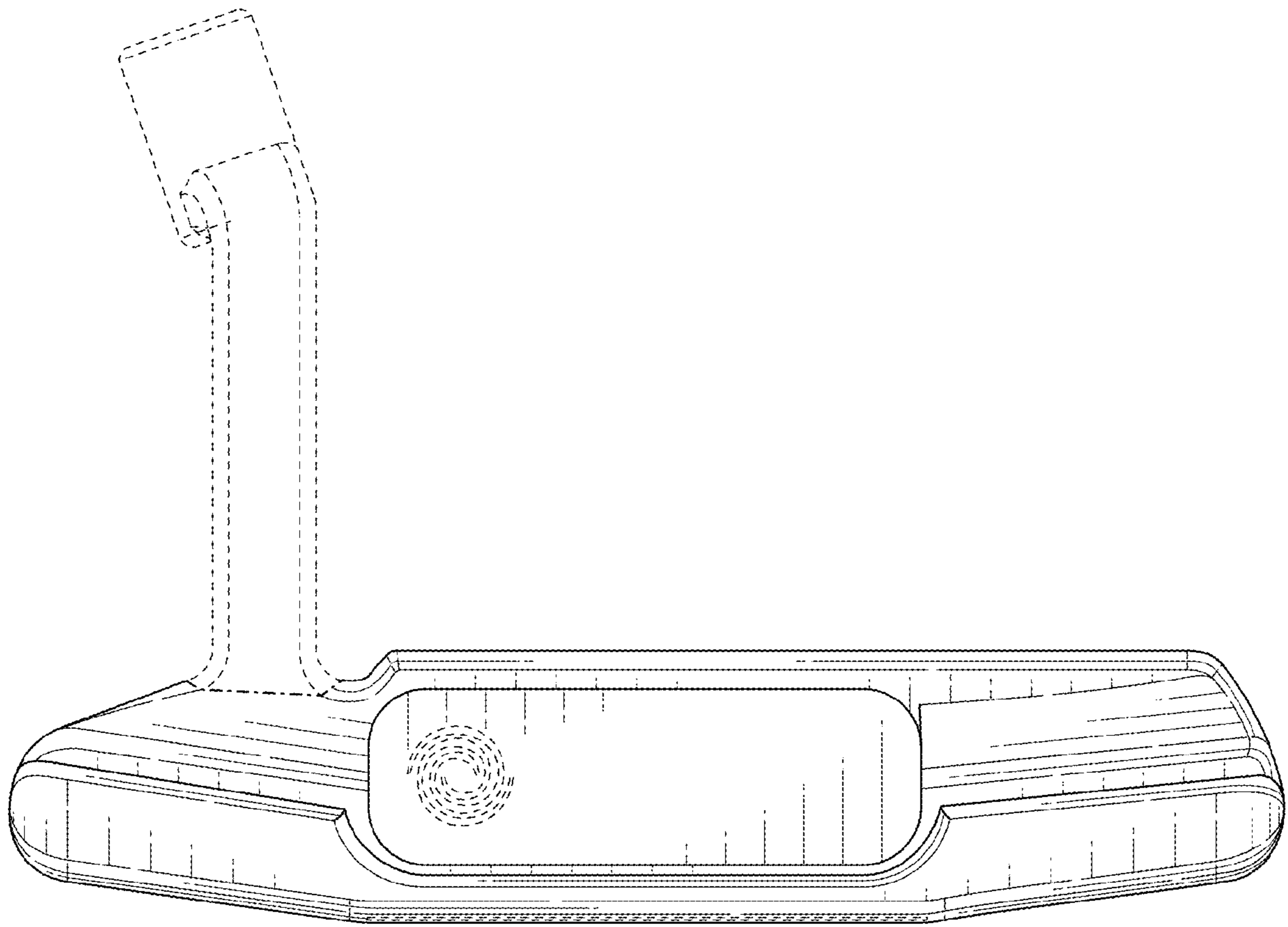


FIG. 2

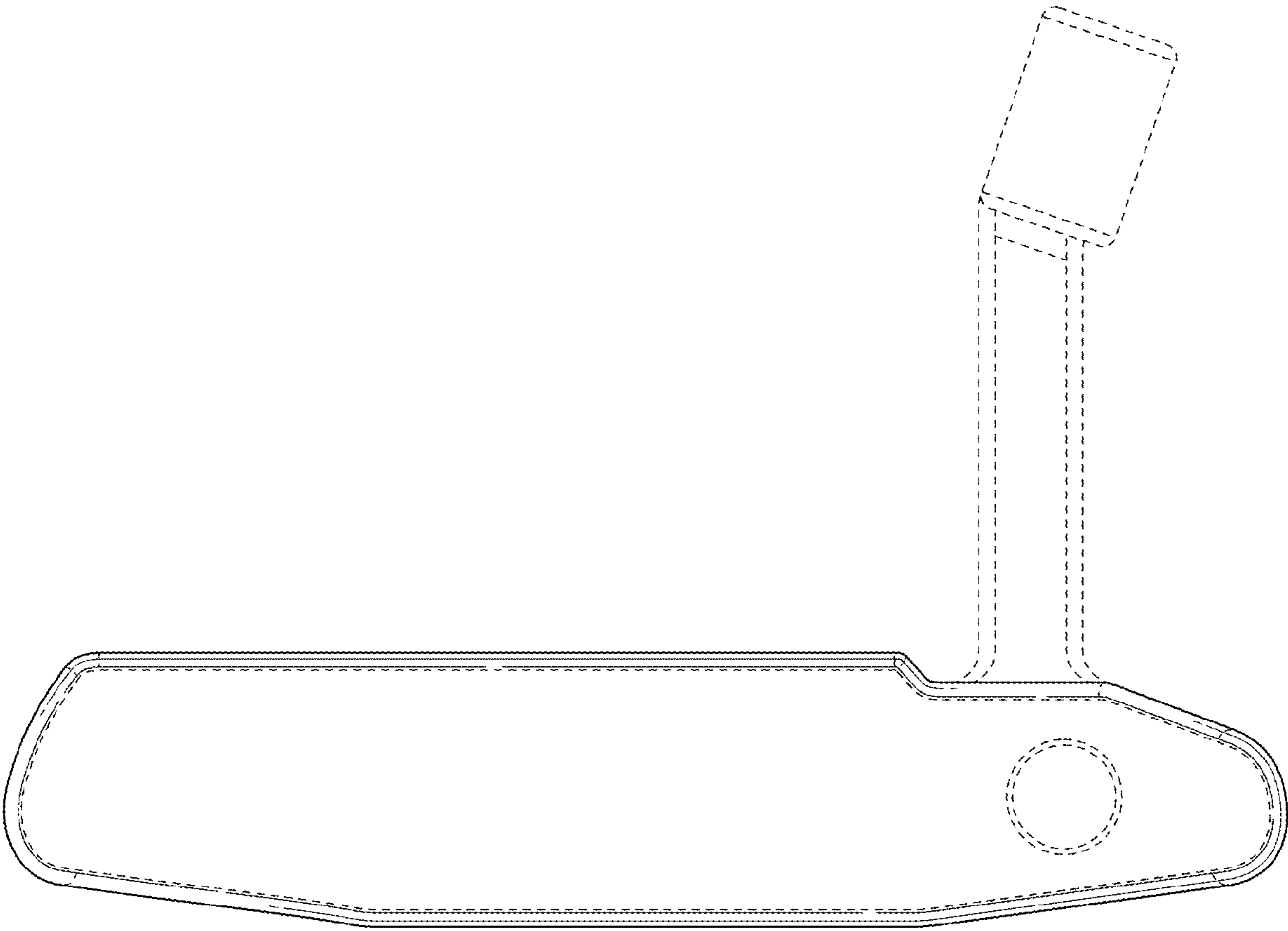


FIG. 3

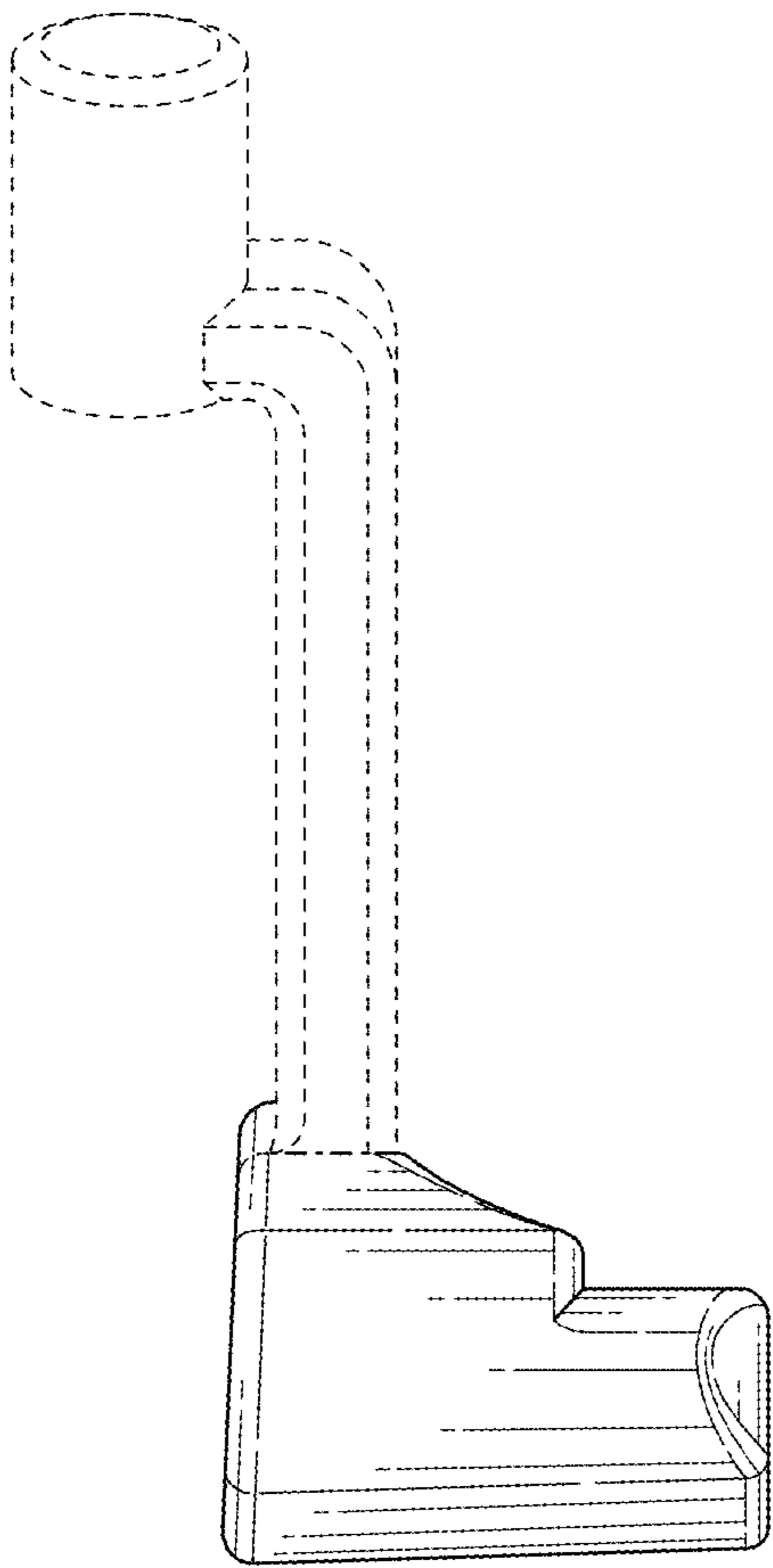


FIG. 4

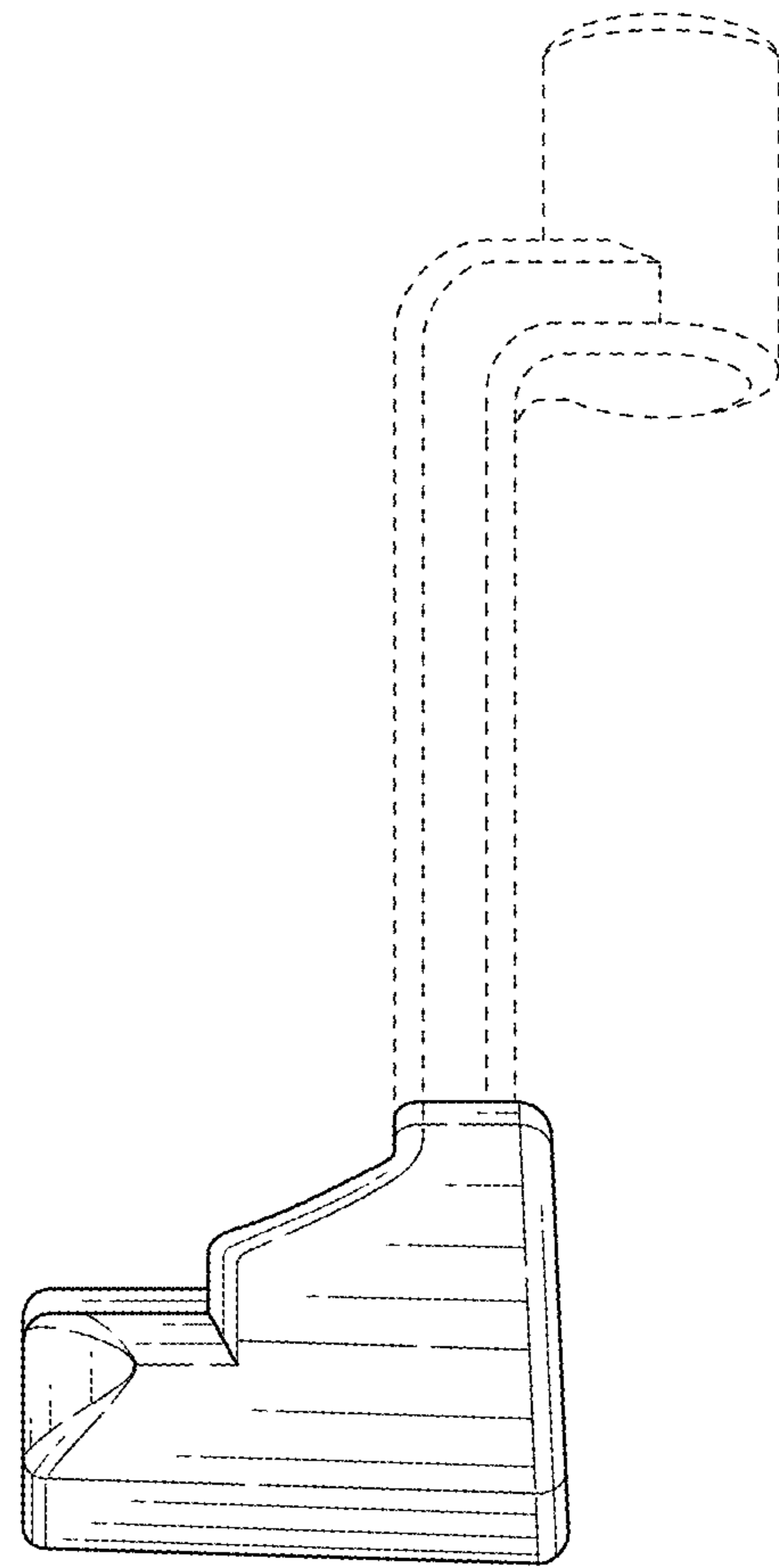


FIG. 5

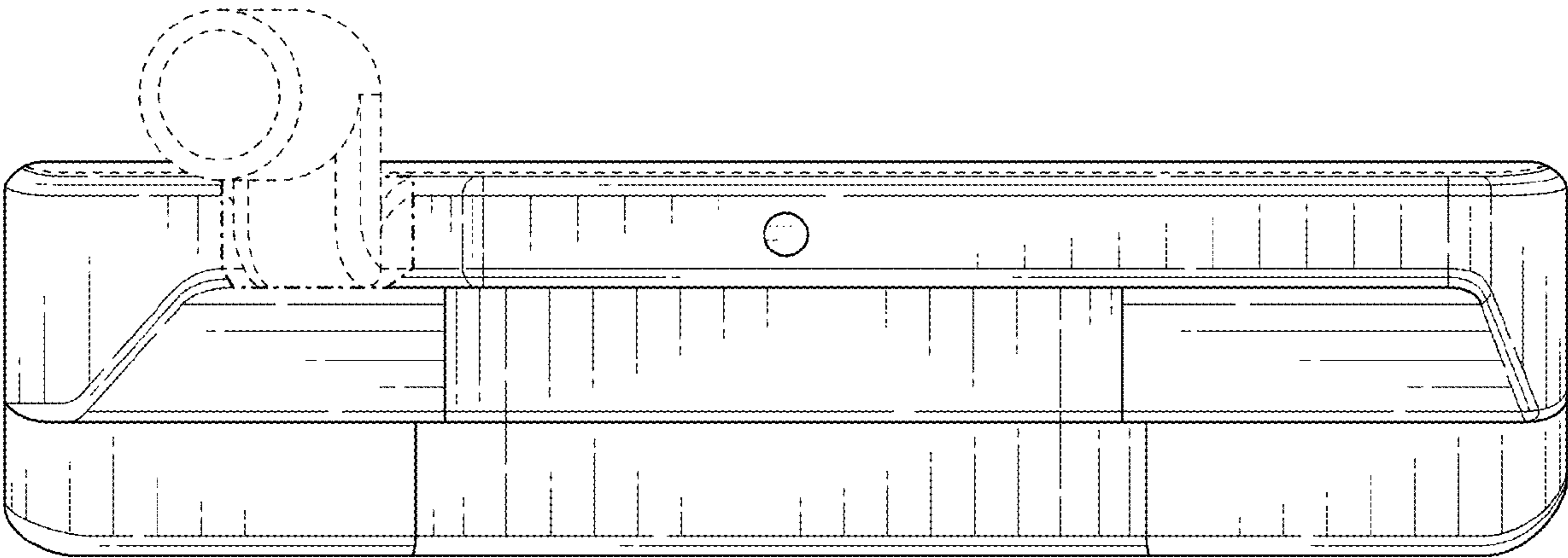


FIG. 6

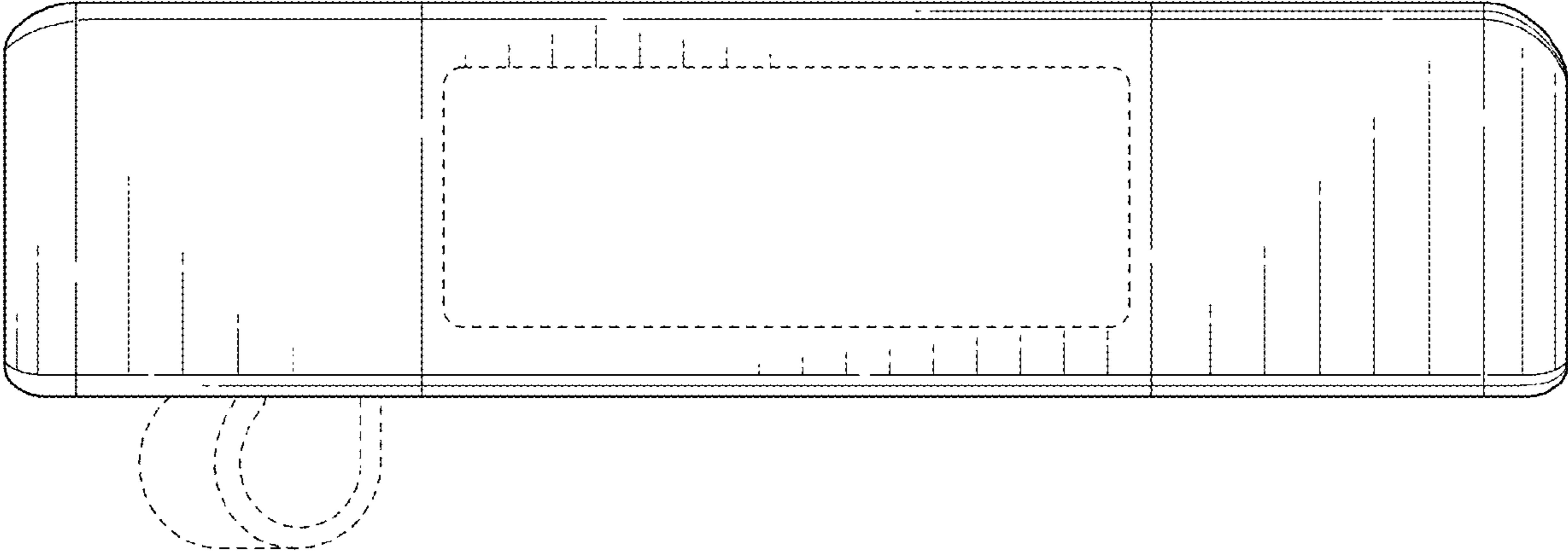


FIG. 7

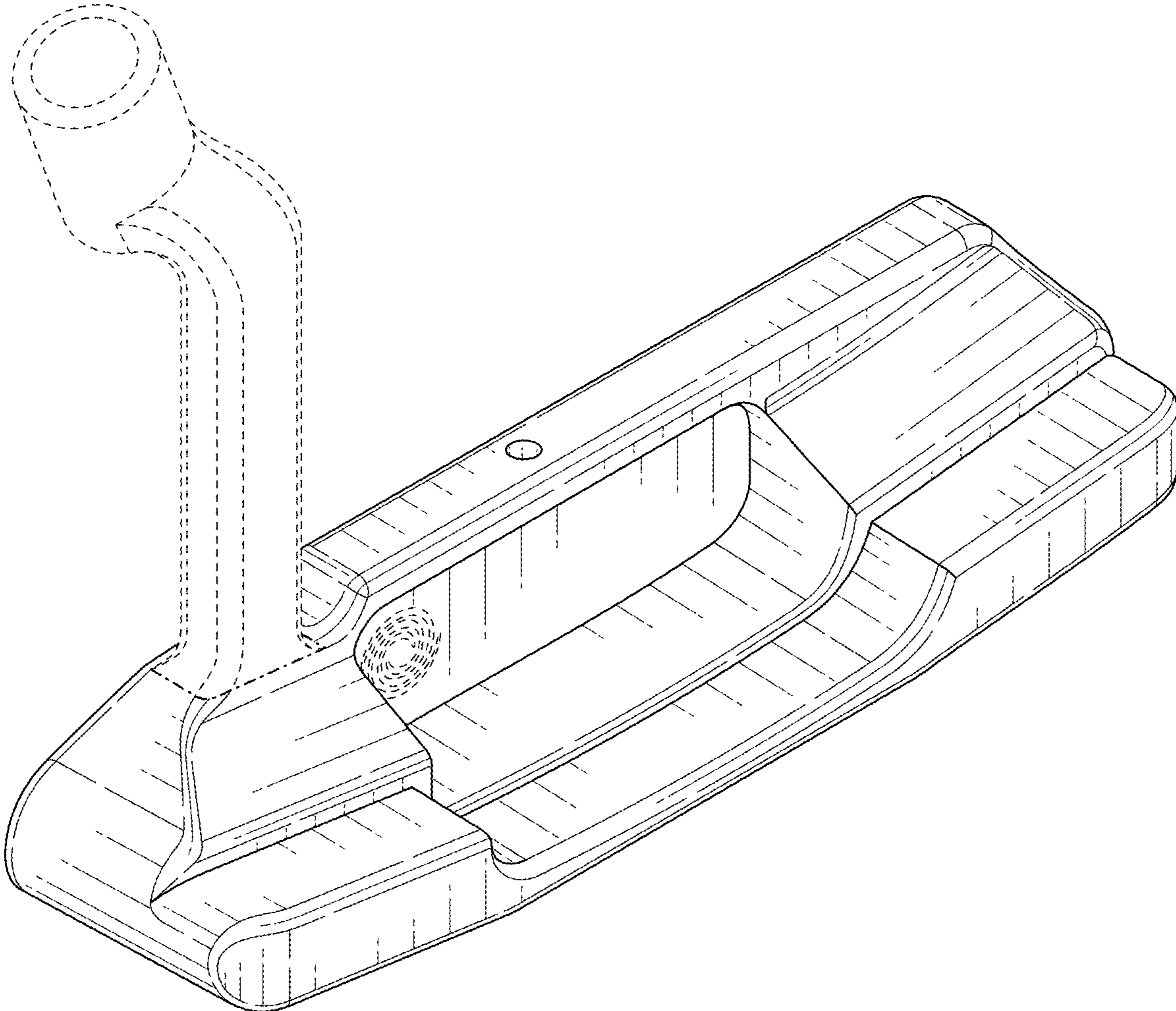


FIG. 8

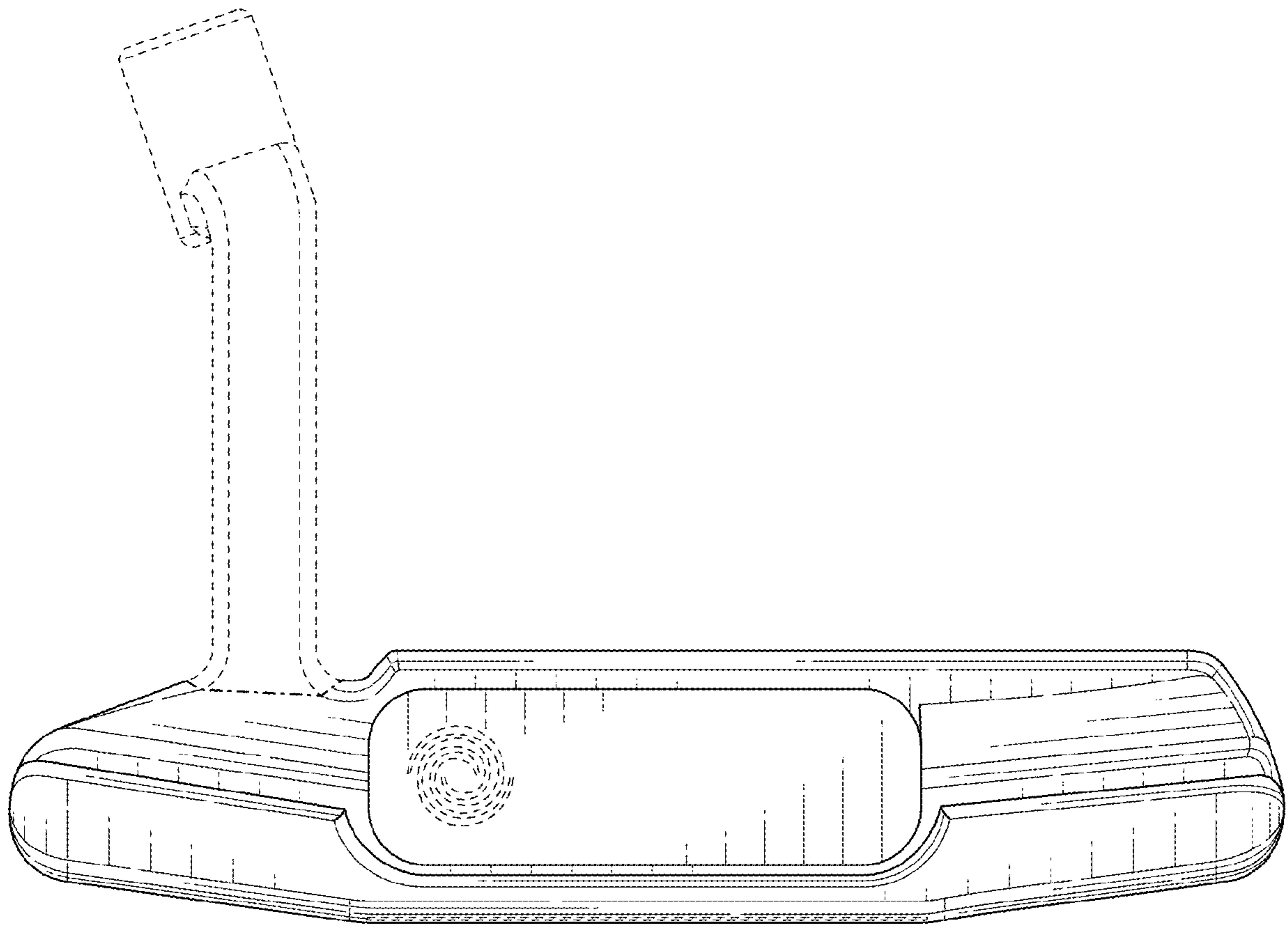


FIG. 9

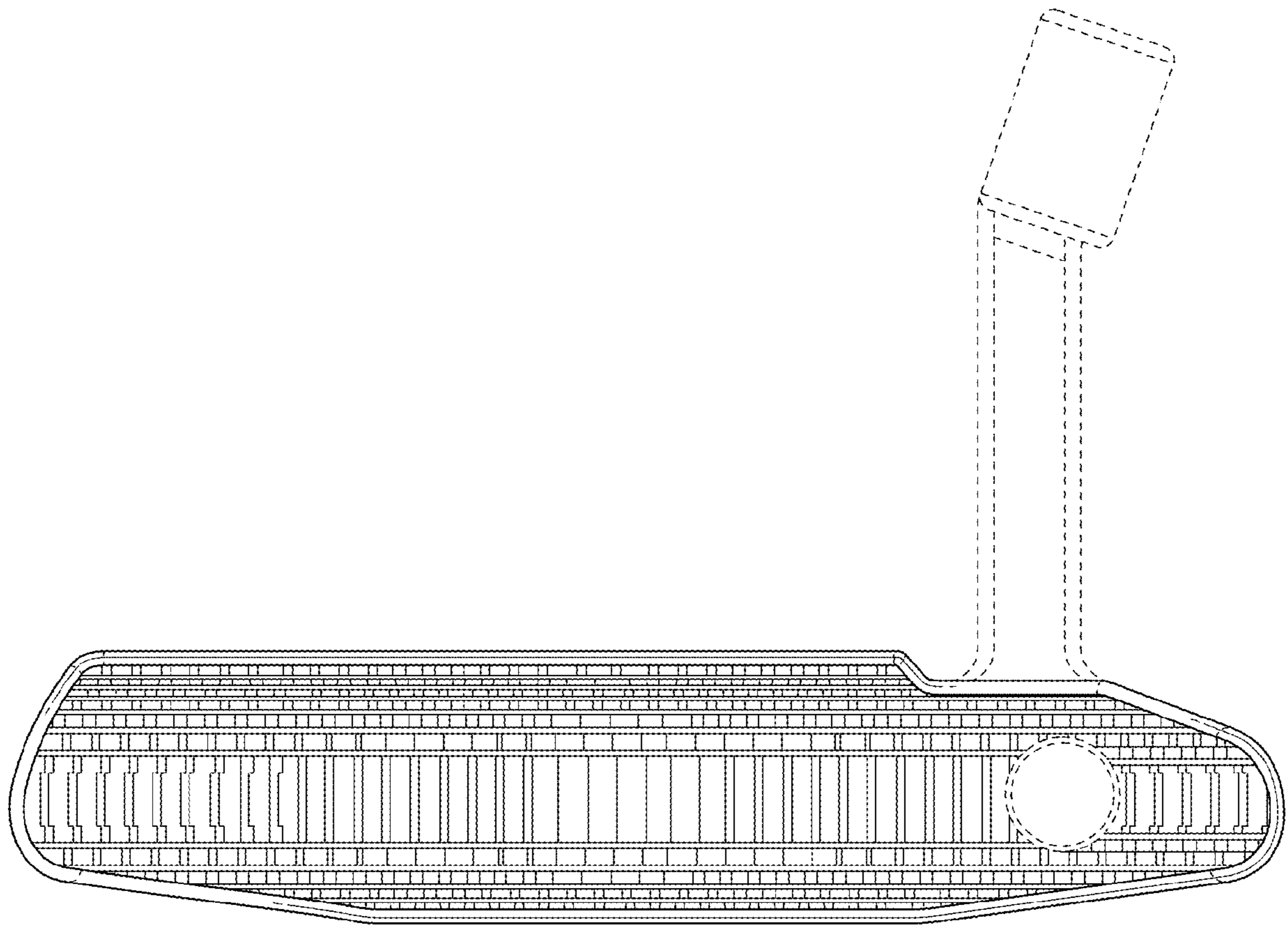


FIG. 10

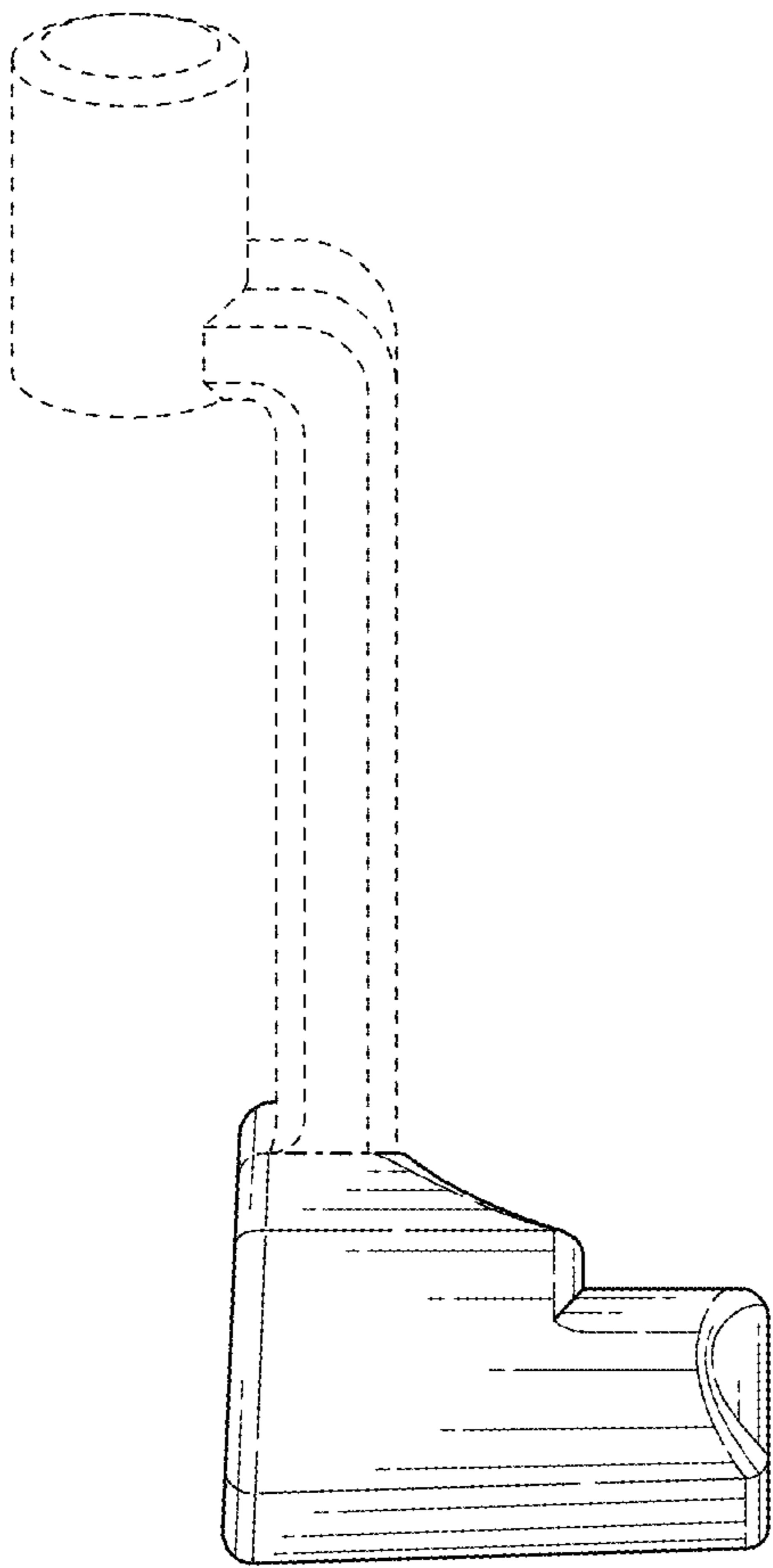


FIG. 11

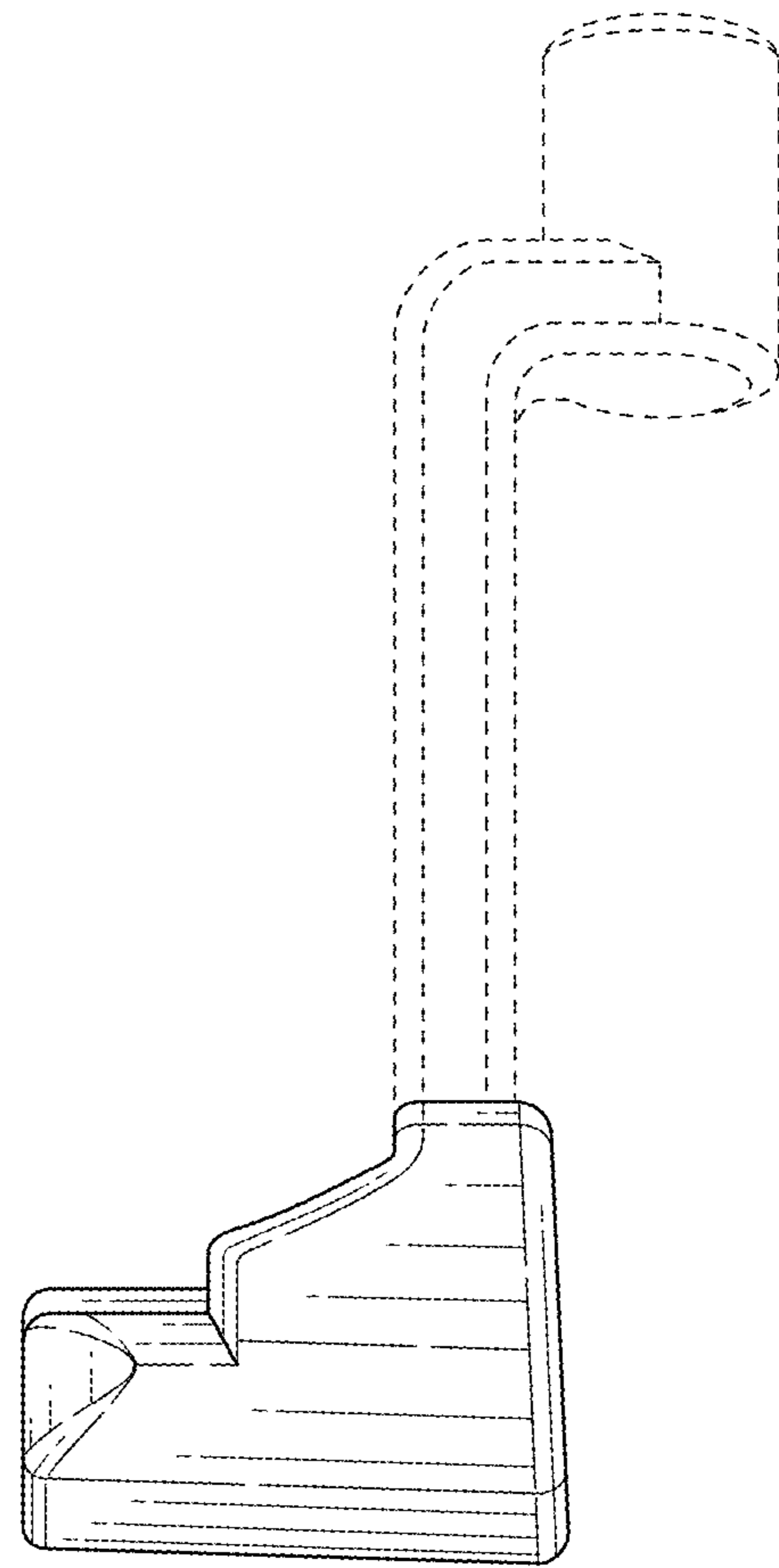


FIG. 12

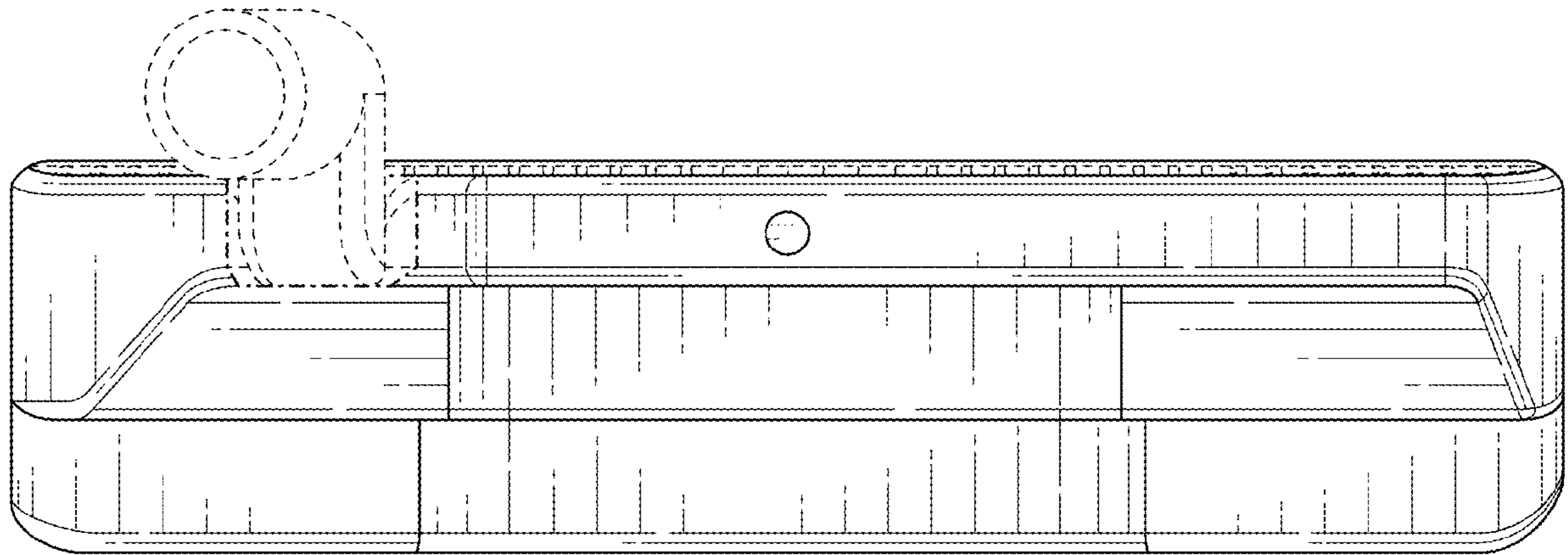


FIG. 13

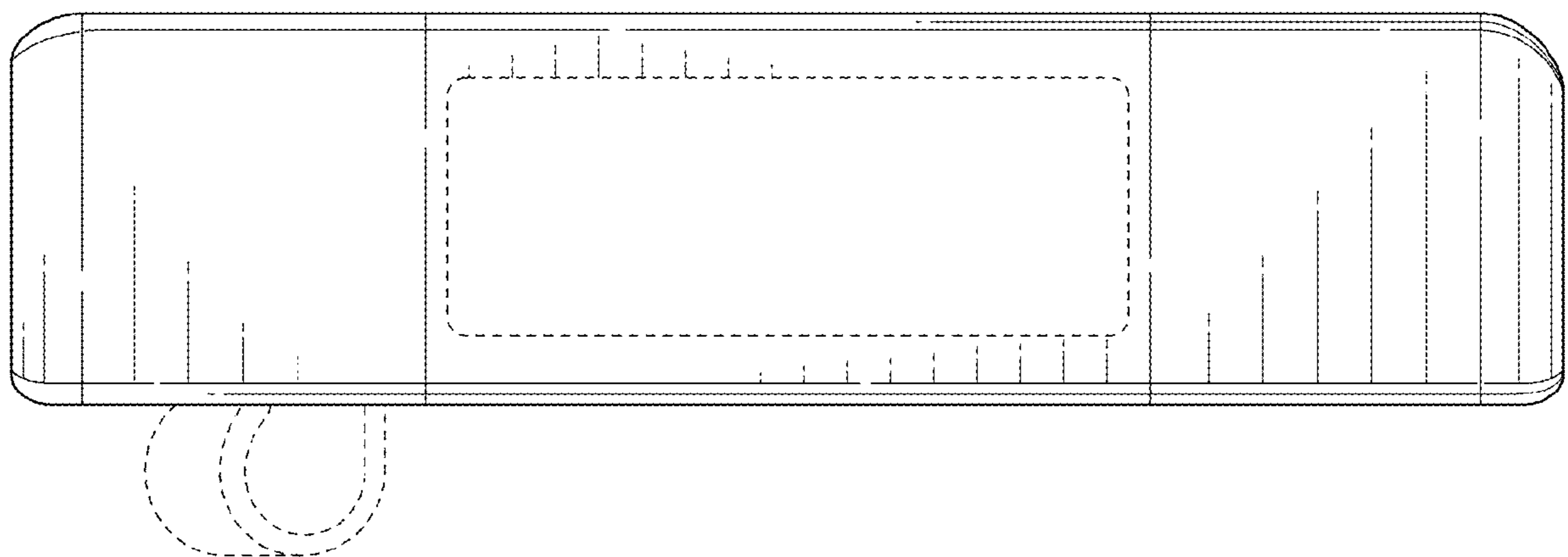


FIG. 14