



US00D978266S

(12) **United States Design Patent** (10) **Patent No.:** **US D978,266 S**  
**Peritz** (45) **Date of Patent:** **\*\* Feb. 14, 2023**

(54) **EXERCISE HANDLE WITH BALL WEIGHT**

FOREIGN PATENT DOCUMENTS

(71) Applicant: **Robert Peritz**, San Diego, CA (US)

CN 302790647 \* 3/2022

(72) Inventor: **Robert Peritz**, San Diego, CA (US)

OTHER PUBLICATIONS

(\*\*) Term: **15 Years**

LECELLIER 16oz (1 Pound) Cannonball Rock, first available Aug. 6, 2021, amazon.com [online], site visited [Apr. 21, 2022], Available from internet URL:https://www.amazon.com/LECELLIER-16oz-Pound-Cannonball-Weights/dp/B08X14ML8J (Year: 2019).\*

(21) Appl. No.: **29/747,983**

(Continued)

(22) Filed: **Aug. 26, 2020**

(51) **LOC (14) Cl.** ..... **21-02**

(52) **U.S. Cl.**  
USPC ..... **D21/694**; D21/680

(58) **Field of Classification Search**  
USPC ..... D6/552; D21/662, 667-682, 685, 686, D21/692, 694; D11/41, 79, 86  
CPC ..... A63B 2220/12; A63B 21/062; A63B 2220/13; A63B 69/3632; A63B 21/075; A63B 21/063; A63B 21/0628; A63B 21/0724; A63B 21/0726; A63H 3/48; A63H 27/10; A44C 7/003; A61H 15/00; A61H 15/0092

*Primary Examiner* — Jack Reickel  
*Assistant Examiner* — Salamah Jordan  
(74) *Attorney, Agent, or Firm* — Lewis Kohn & Walker LLP; David M. Kohn; Kari Moyer-Henry

See application file for complete search history.

(57) **CLAIM**

The ornamental design for an exercise handle with ball weight, as shown and described.

(56) **References Cited**

**DESCRIPTION**

U.S. PATENT DOCUMENTS

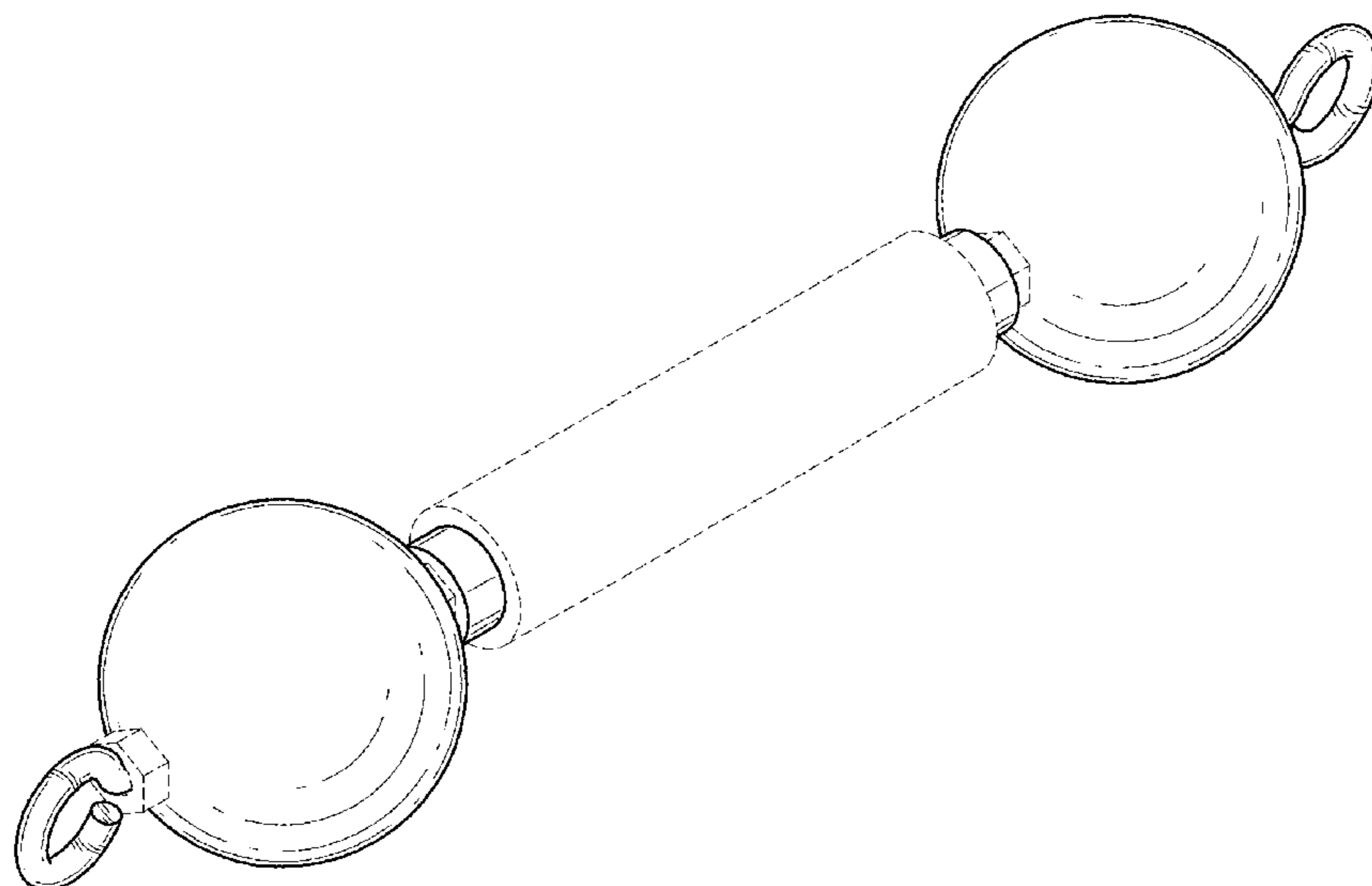
- 1,098,597 A \* 6/1914 Taylor ..... F16G 13/14 59/84
- 1,485,577 A \* 3/1924 Witten ..... A63H 27/10
- 1,918,142 A \* 7/1933 Smith ..... A63B 21/0726 D21/681
- 2,714,269 A \* 8/1955 Charles ..... A63H 33/062 59/900
- D308,297 S \* 6/1990 Romano ..... D22/117
- 5,577,396 A \* 11/1996 Cannon ..... A44C 7/003 63/12
- D383,815 S \* 9/1997 Isaacson ..... D21/678
- D387,871 S \* 12/1997 Childs ..... D24/214
- D415,803 S \* 10/1999 Cousins ..... D21/678
- 6,102,876 A \* 8/2000 Winger ..... A61H 15/0092
- 6,167,725 B1 \* 1/2001 Siekierski ..... A44C 7/003

FIG. 1 is a perspective view of an exercise handle with ball weight, showing my new design;  
FIG. 2 is a front view of the exercise handle with ball weight shown in FIG. 1;  
FIG. 3 is a left side view of the exercise handle with ball weight shown in FIG. 1;  
FIG. 4 is a back view of the exercise handle with ball weight shown in FIG. 1;  
FIG. 5 is a right side view of the exercise handle with ball weight shown in FIG. 1; and,  
FIG. 6 is a top view of the exercise handle with ball weight shown in FIG. 1.

The broken lines in the drawing illustrate portions of the exercise handle with ball weight that form no part of the claimed design.

(Continued)

**1 Claim, 4 Drawing Sheets**



(56)

**References Cited**

U.S. PATENT DOCUMENTS

6,244,073 B1 \* 6/2001 Kaping, Jr. .... A44C 7/003  
 63/12  
 D456,300 S \* 4/2002 Brisk ..... D11/79  
 D538,359 S \* 3/2007 Yordinsky ..... D21/681  
 7,189,210 B1 \* 3/2007 Hillman ..... A61H 15/00  
 D722,907 S \* 2/2015 Miceli ..... D11/41  
 D728,711 S \* 5/2015 Taylor ..... D21/694  
 D740,897 S \* 10/2015 Miltner ..... D21/694  
 D794,143 S \* 8/2017 Rex ..... D21/680  
 D819,757 S \* 6/2018 Oldham ..... D21/680  
 D837,908 S \* 1/2019 Ross ..... D21/680  
 D861,084 S \* 9/2019 Wu ..... D21/680  
 D884,093 S \* 5/2020 Baker ..... A63H 3/48  
 D11/86

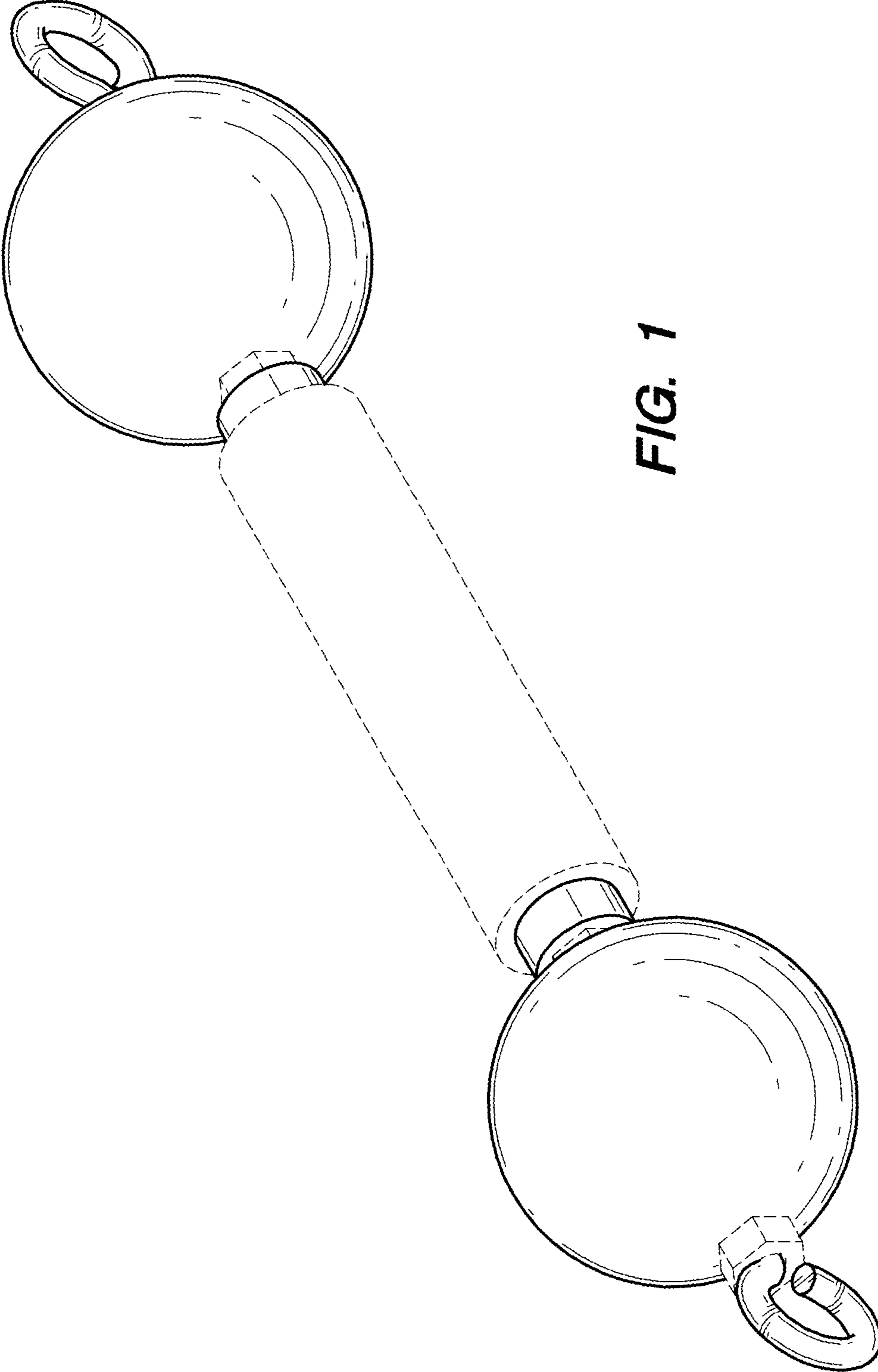
OTHER PUBLICATIONS

YCHLCHL Wooden Pull Up Grips and Balls, first available, Jan. 8, 2021, amazon.com[online], site visited [Apr. 21, 2022]. Available from internet URL: <https://amzn.to/38bVw6a> (Year: 2021).\*

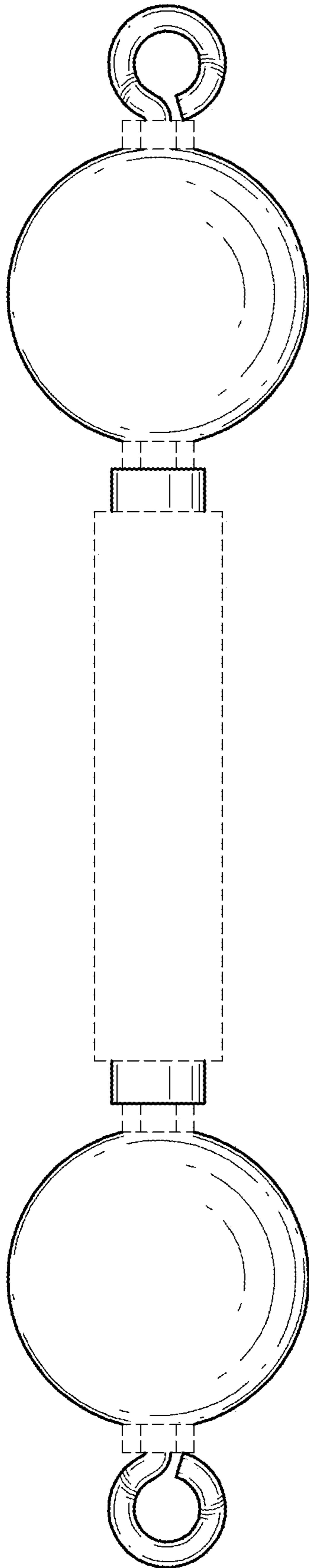
“DIY Home Gym Workout Room” Apr. 29, 2016, Youtube, site visited Sep. 28, 2022: <https://www.youtube.com/watch?v=qoGUe80HcCk> (Year: 2016).\*

“DIY Grip Grenades” Feb. 22, 2012, Youtube, site visited Sep. 28, 2022: <https://www.youtube.com/watch?v=RK4C60uVi0k> (Year: 2012).\*

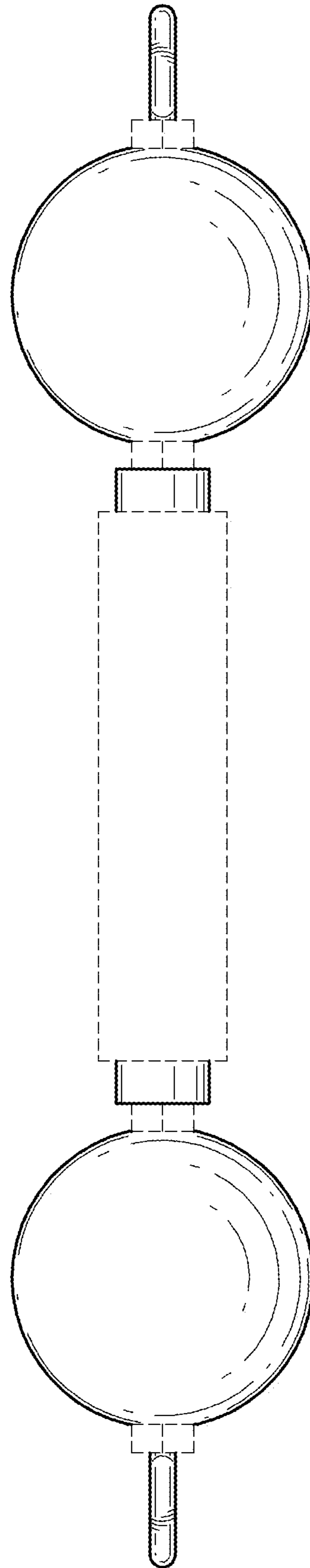
\* cited by examiner



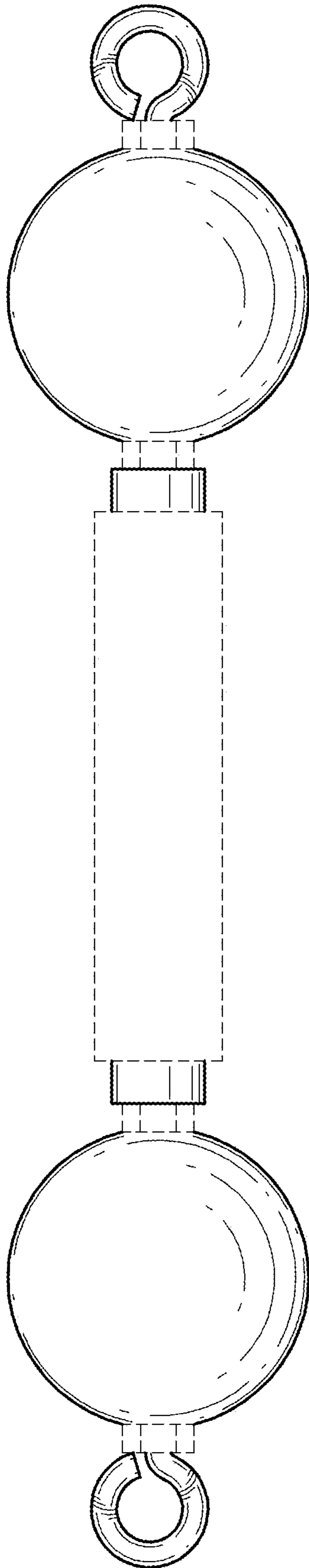
**FIG. 1**



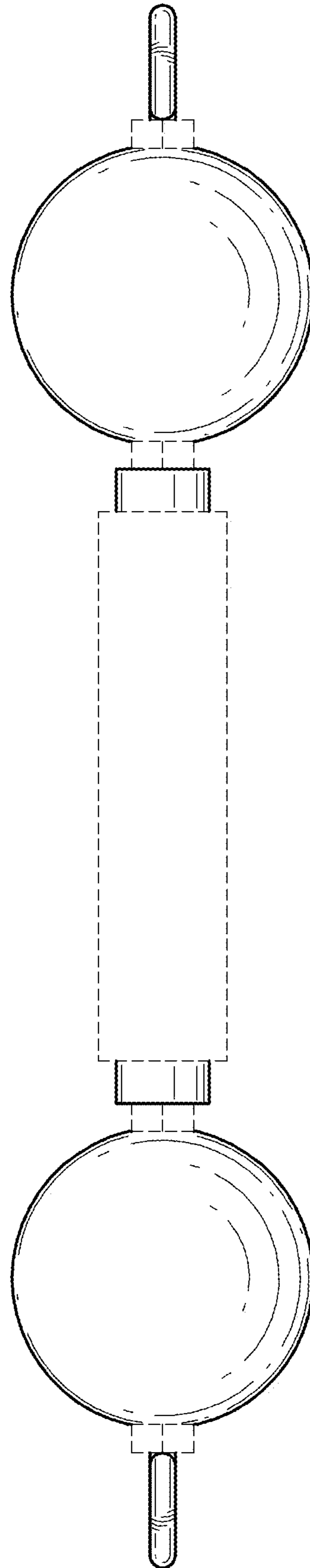
**FIG. 2**



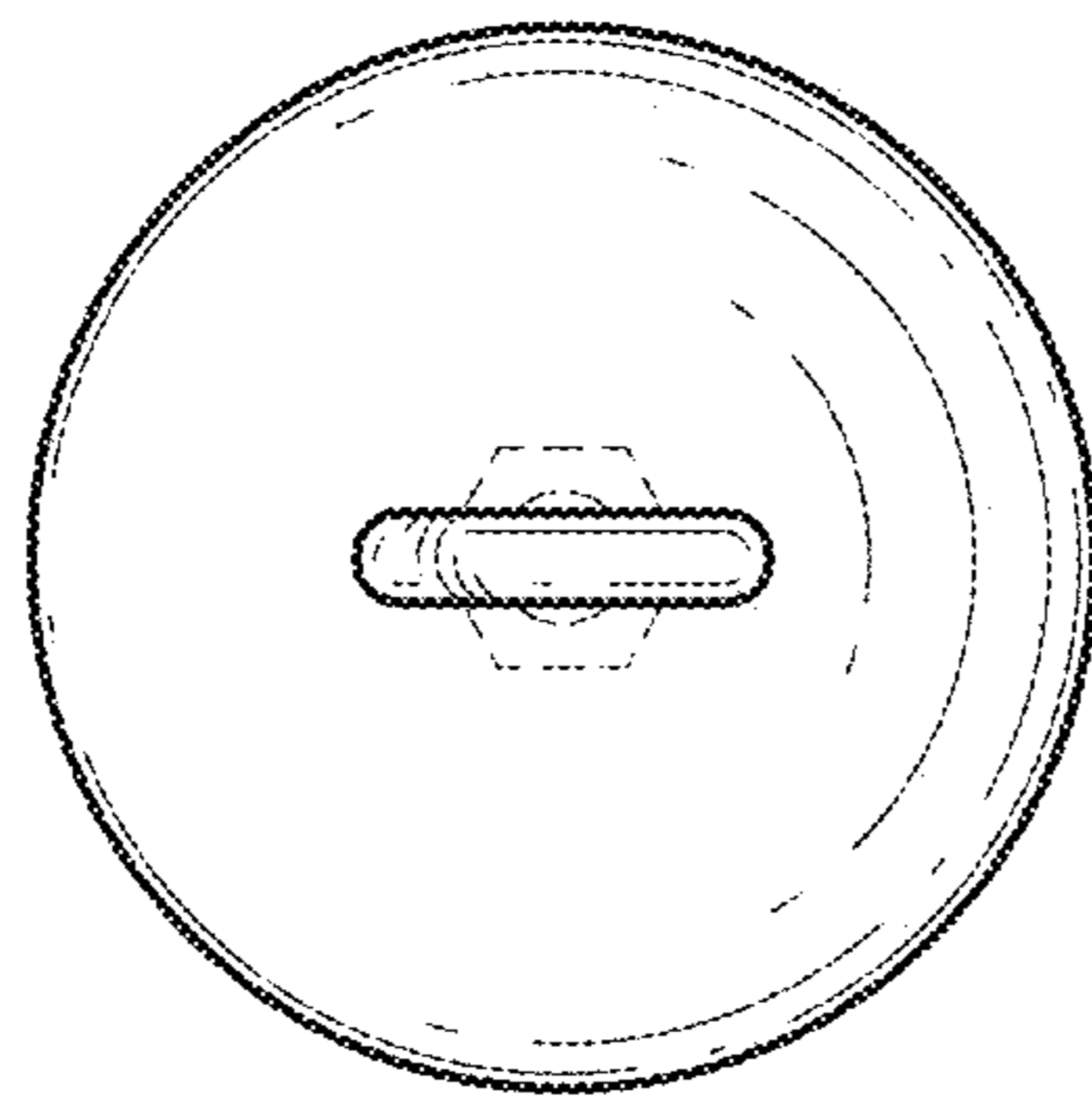
**FIG. 3**



**FIG. 4**



**FIG. 5**



**FIG. 6**