



US00D978265S

(12) **United States Design Patent** (10) **Patent No.:** **US D978,265 S**  
**Wang** (45) **Date of Patent:** **\*\* Feb. 14, 2023**

(54) **EXERCISE DEVICE**  
(71) Applicant: **Hongan Wang**, Ankang (CN)  
(72) Inventor: **Hongan Wang**, Ankang (CN)  
(\*\*) Term: **15 Years**

(21) Appl. No.: **29/797,283**  
(22) Filed: **Jun. 30, 2021**

(30) **Foreign Application Priority Data**

Jun. 4, 2021 (CN) ..... 202130345943.9

(51) **LOC (14) Cl.** ..... **21-02**

(52) **U.S. Cl.**  
USPC ..... **D21/673**

(58) **Field of Classification Search**  
USPC ..... D21/686, 662, 679, 694, 797, 673, 670,  
D21/665, 687, 682; D6/329; D25/35, 38  
CPC ..... A63B 21/4035; A63B 21/4047; A63B  
21/0628; A63B 23/0211; A63B 23/03525;  
A63B 21/068; A63B 23/1218; A63B  
23/1209; A63B 1/00  
See application file for complete search history.

(56) **References Cited**

**U.S. PATENT DOCUMENTS**

D348,706 S *	7/1994	Harrell	.....	D21/691
D425,151 S *	5/2000	Landfair	.....	D21/679
D633,156 S *	2/2011	Caswell	.....	D21/679
D686,286 S *	7/2013	Orakwusi	.....	D21/679
D863,467 S *	10/2019	Weng	.....	D21/679
D868,910 S *	12/2019	Huang	.....	D21/679
D936,761 S *	11/2021	Jiang	.....	D21/679
D956,150 S *	6/2022	He	.....	D21/679
D962,361 S *	8/2022	Srihari	.....	D21/679
D968,535 S *	11/2022	Wang	.....	D21/679

2013/0178338 A1 *	7/2013	Ross	.....	A63B 21/1645 482/40
2014/0094347 A1 *	4/2014	Orakwusi	.....	A63B 23/1218 482/38
2014/0221163 A1 *	8/2014	McBride	.....	A63B 21/00047 482/40

**OTHER PUBLICATIONS**

Iron Age Pull Up Bar For Doorway. Online, published date Jun. 18, 2019. Retrieved on Nov. 29, 2022 from URL: <https://www.amazon.com/IRON-AGE-Pull-Bar-Doorway/dp/B07TB24V9C/>.  
AOAOGYM Pull Up Bar for Doorway. Online, published date Sep. 15, 2019. Retrieved on Nov. 29, 2022 from URL: <https://www.amazon.com/AOAOGYM-Doorway-Exercise-Strength-Training/dp/B07WTSCNB2/>.

\* cited by examiner

*Primary Examiner* — Omeed Agilee  
*Assistant Examiner* — David Truong

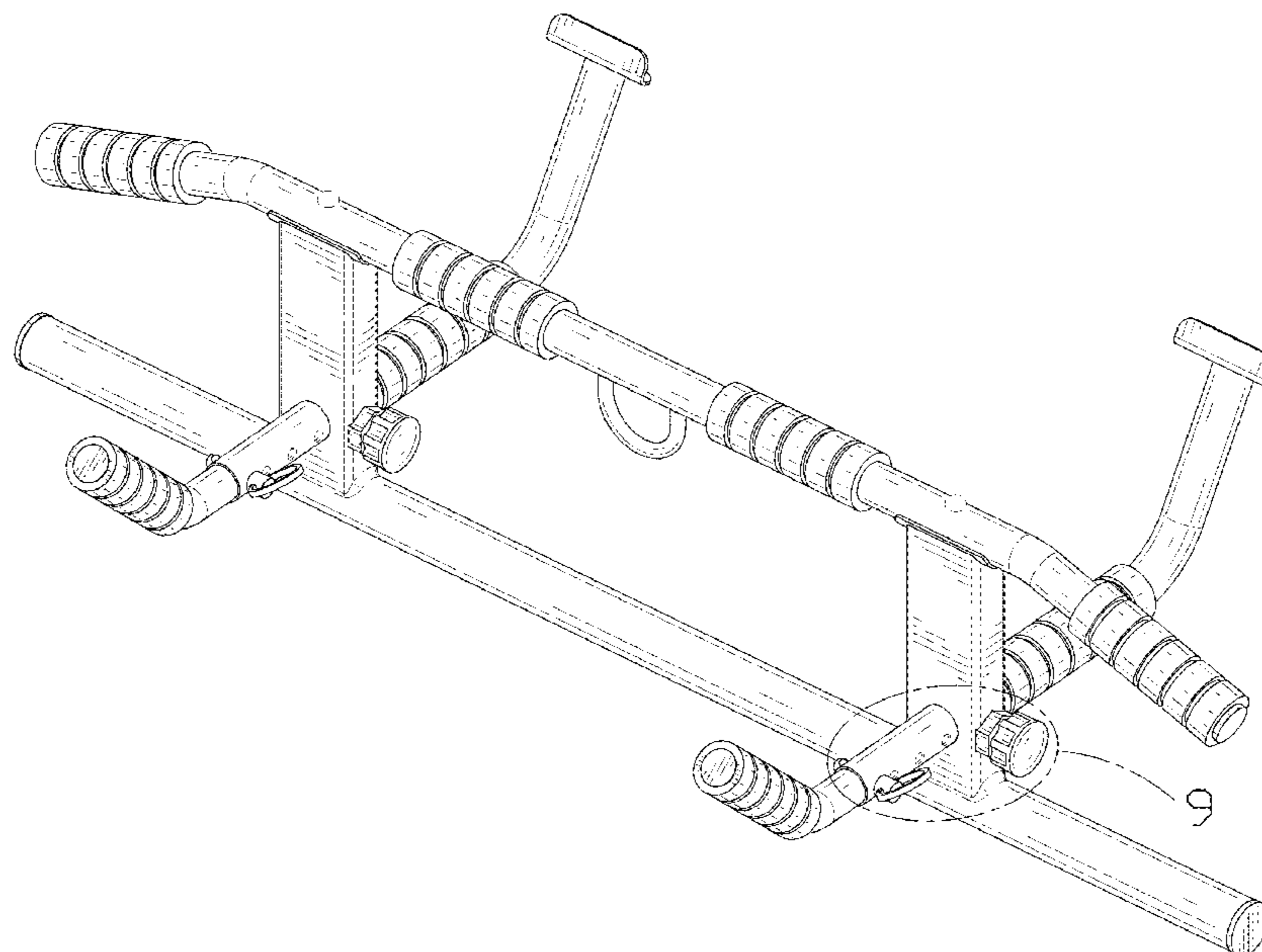
(57) **CLAIM**

The ornamental design for an exercise device, as shown and described.

**DESCRIPTION**

FIG. 1 is a perspective view of an exercise device showing my new design;  
FIG. 2 is another perspective view thereof;  
FIG. 3 is a front elevational view thereof;  
FIG. 4 is a rear elevational view thereof;  
FIG. 5 is a left side elevational view thereof;  
FIG. 6 is a right side elevational view thereof;  
FIG. 7 is a top plan view thereof;  
FIG. 8 is a bottom plan view thereof.  
FIG. 9 is an enlarged view of portion 9 shown in FIG. 1; and,  
FIG. 10 is an enlarged view of portion 10 shown in FIG. 2.  
The broken lines in the drawings depict portions of the exercise device that form no part of the claimed design.

**1 Claim, 10 Drawing Sheets**



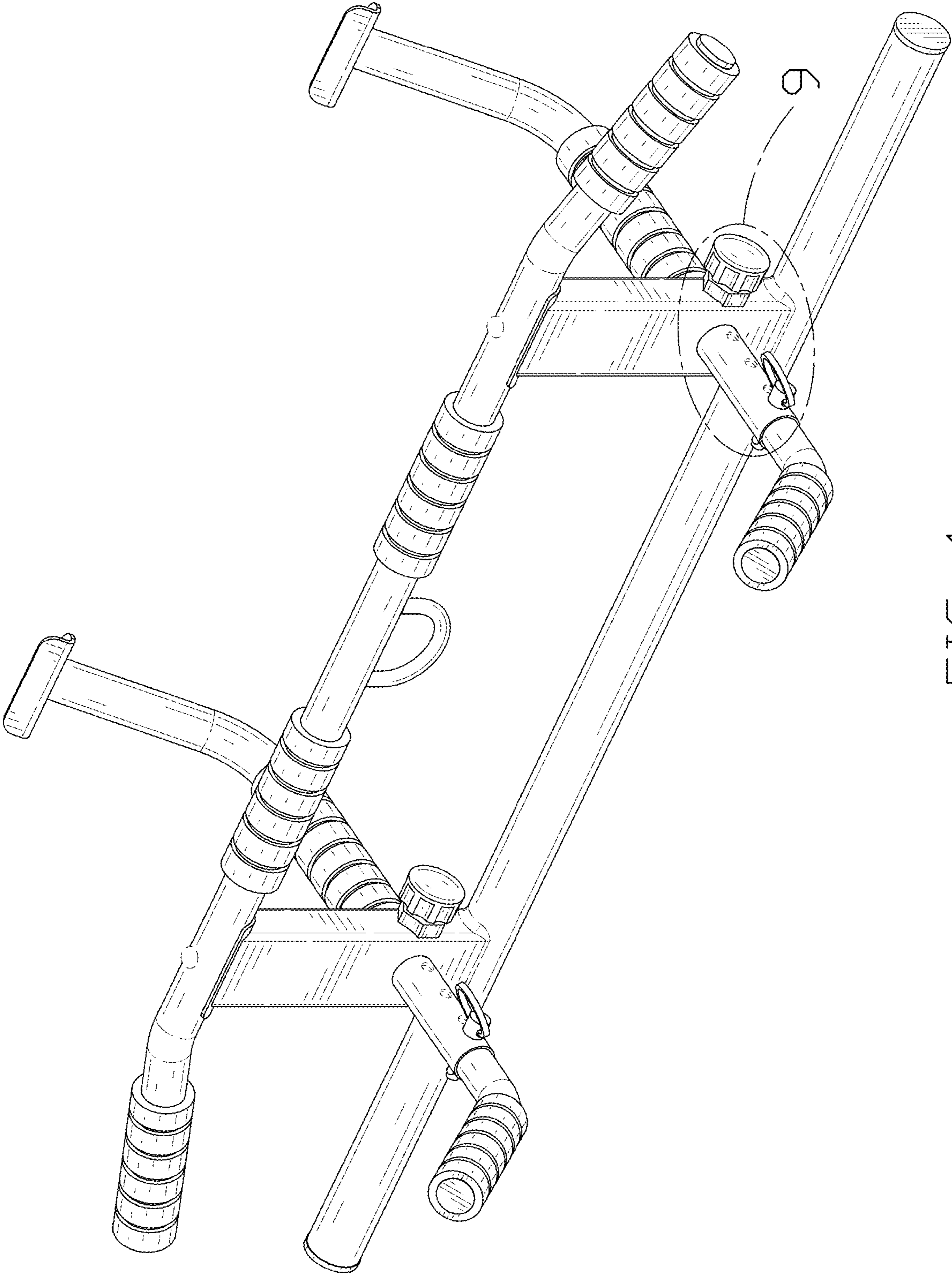


FIG. 1

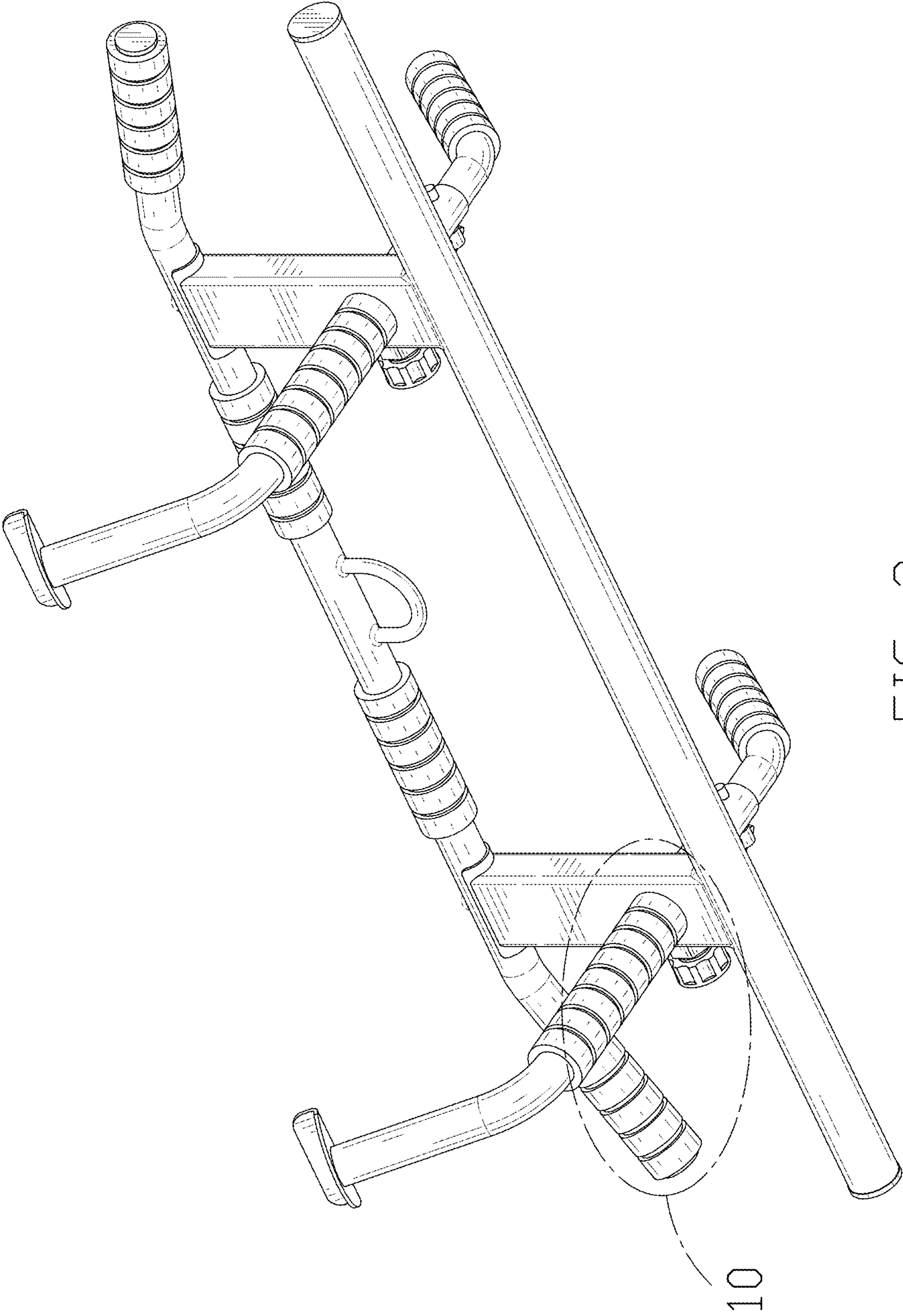


FIG. 2

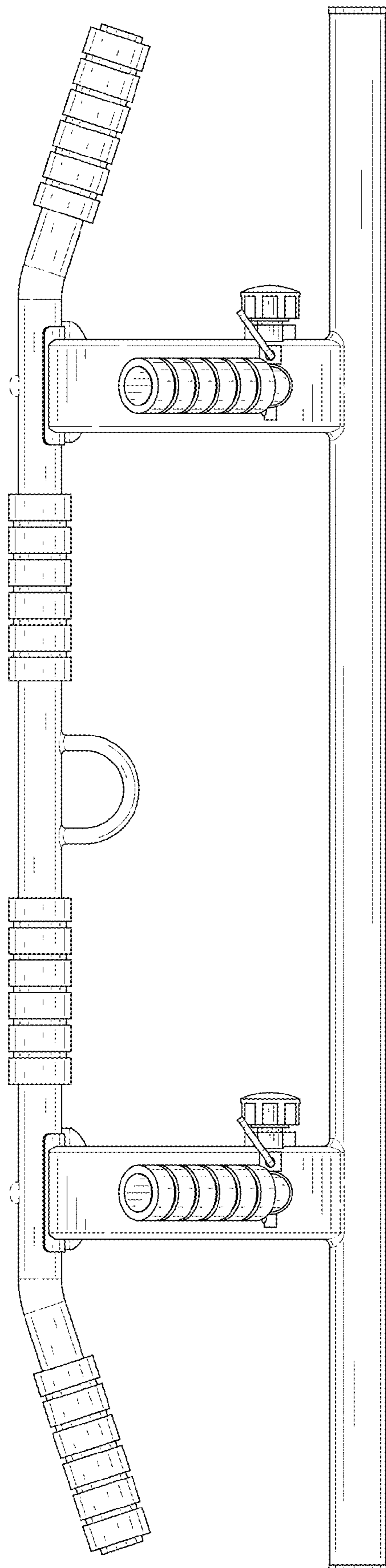


FIG. 3

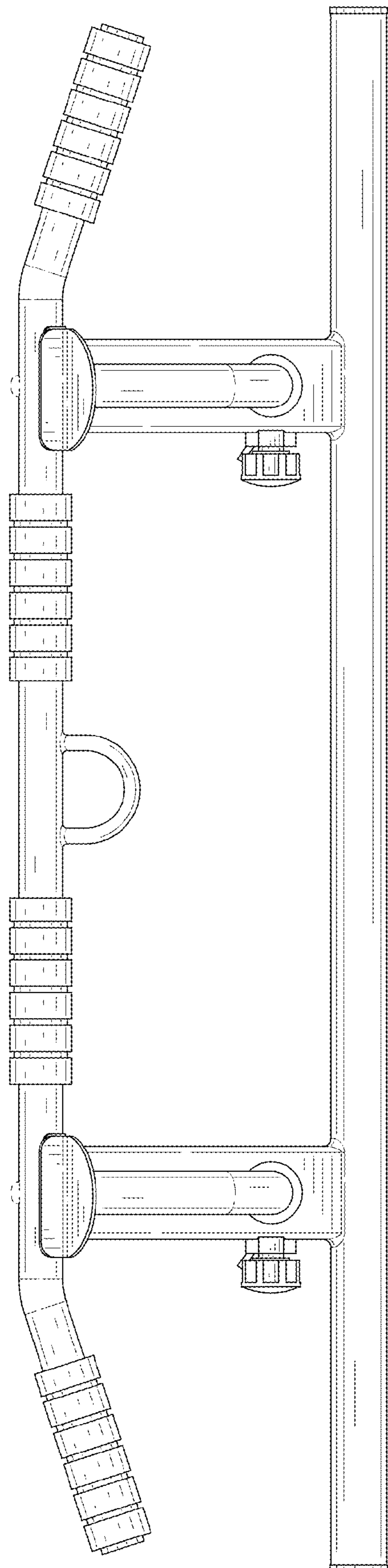


FIG. 4

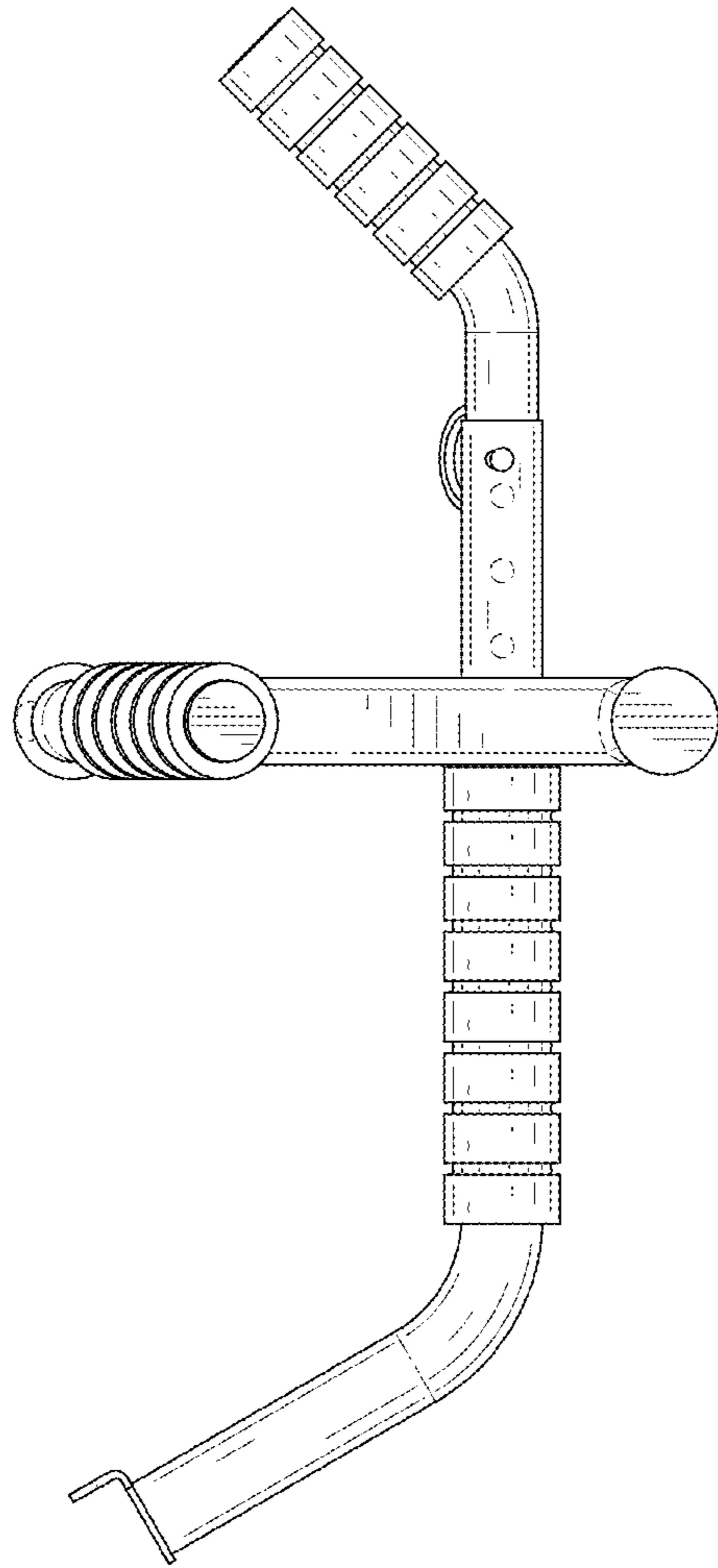


FIG. 5

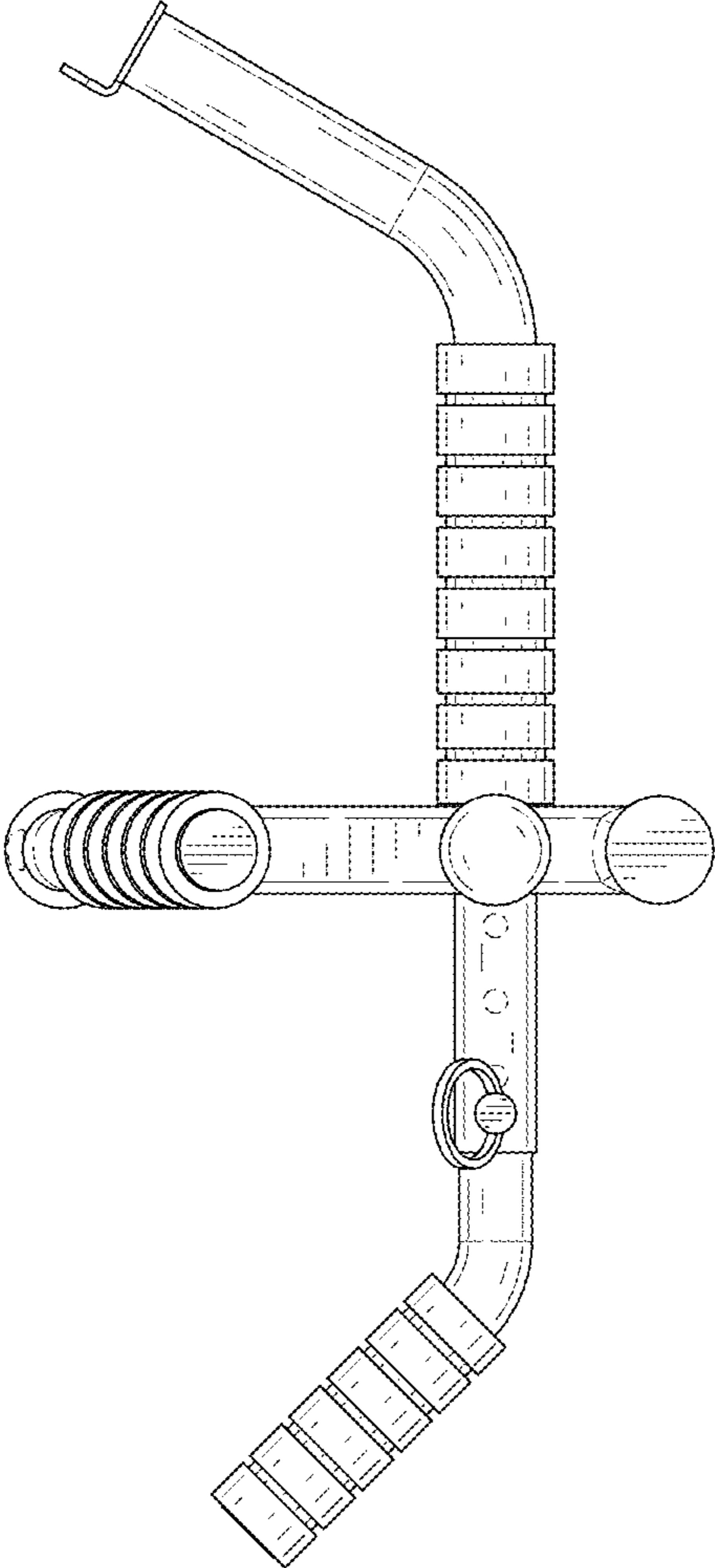


FIG. 6

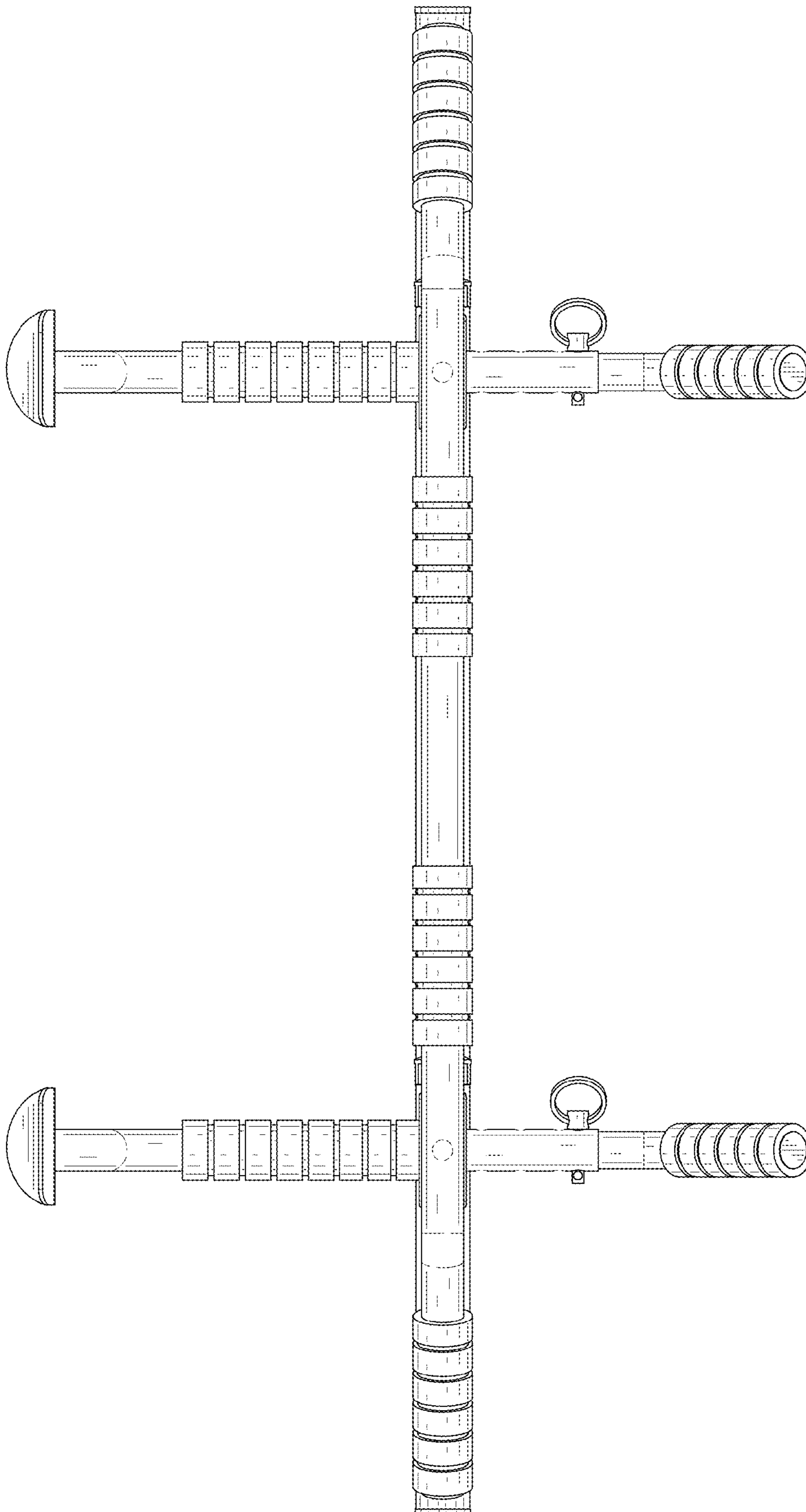


FIG. 7



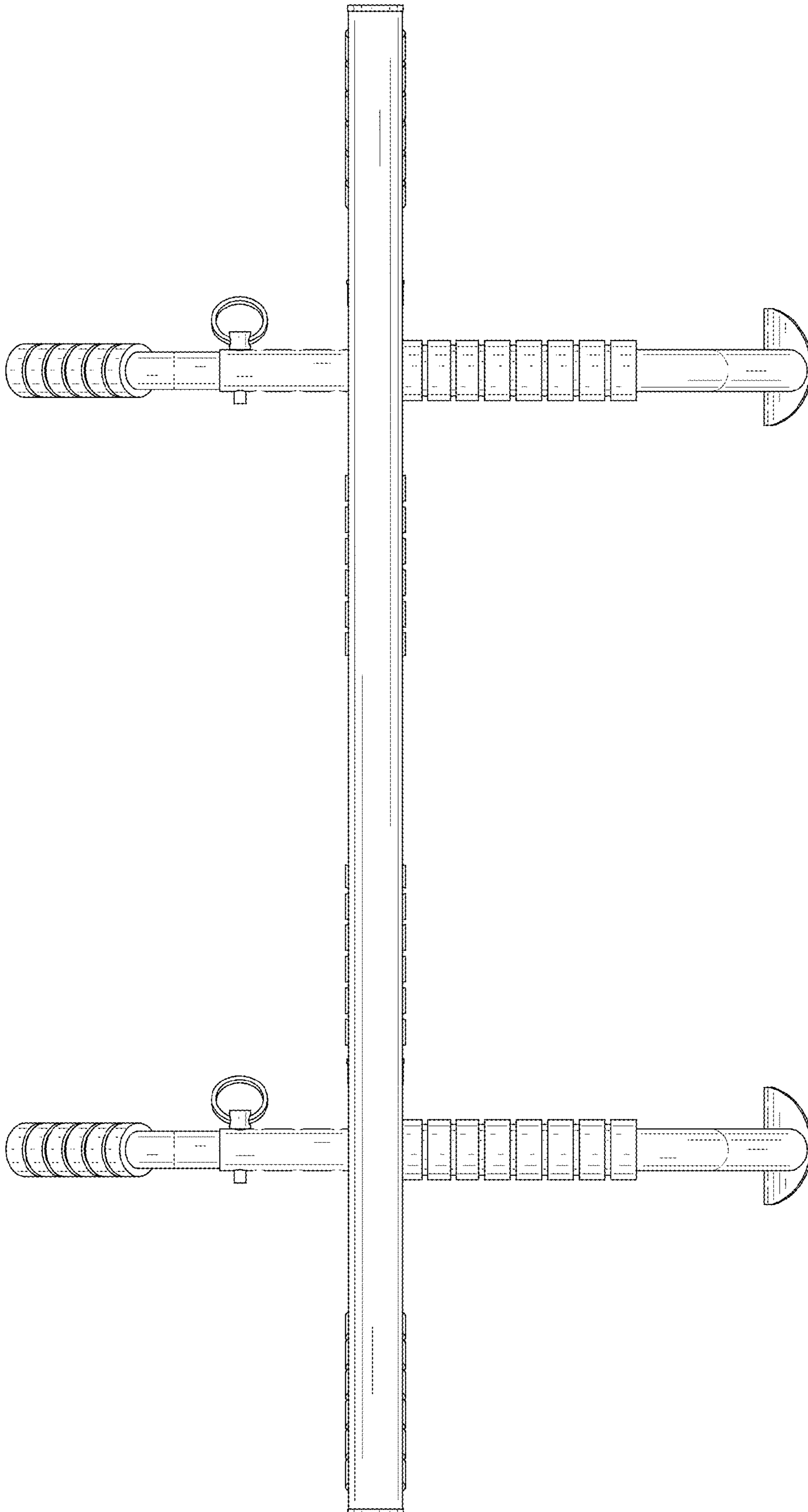


FIG. 8

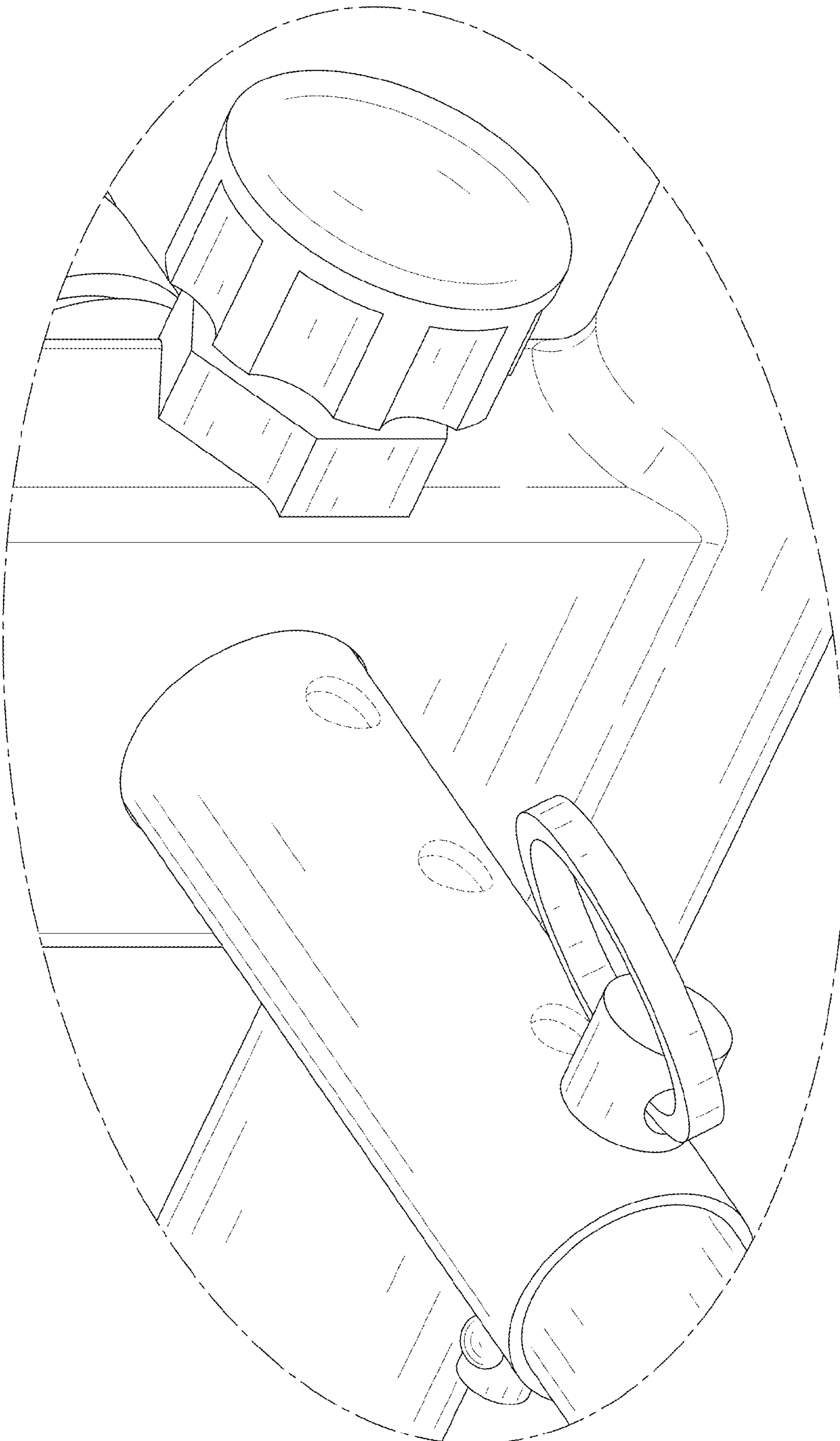


FIG. 9

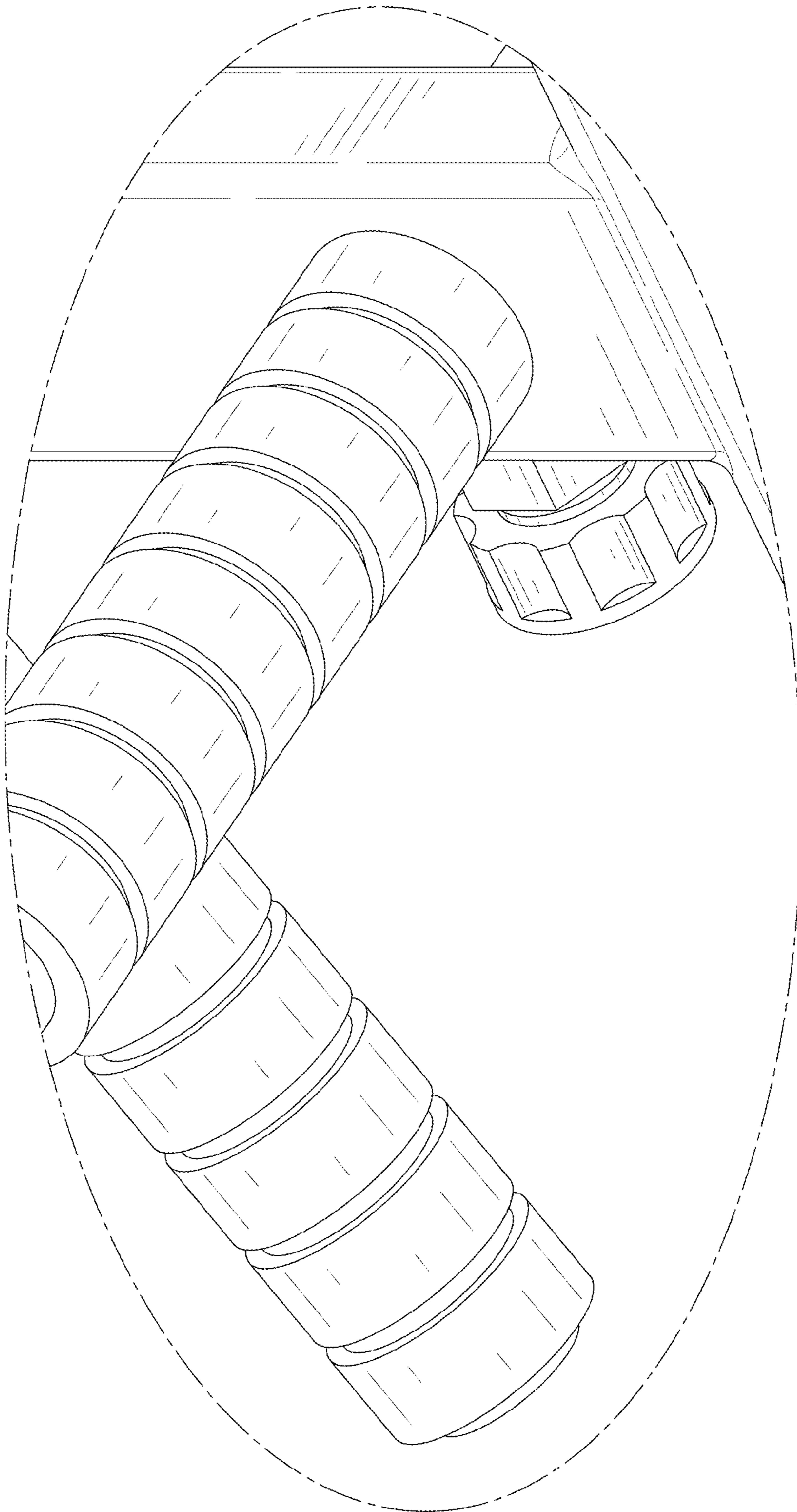


FIG. 10