



US00D978263S

(12) **United States Design Patent**
Zhong

(10) **Patent No.:** **US D978,263 S**

(45) **Date of Patent:** **** Feb. 14, 2023**

(54) **ROBOT TOY**

(71) Applicant: **Feiyan Zhong**, Shenzhen Guangdong (CN)

(72) Inventor: **Feiyan Zhong**, Shenzhen Guangdong (CN)

(73) Assignee: **Shenzhen Huipin Design Co., Ltd.**, Shenzhen Guangdong (CN)

(**) Term: **15 Years**

(21) Appl. No.: **29/854,948**

(22) Filed: **Sep. 29, 2022**

(51) **LOC (14) Cl.** **21-01**

(52) **U.S. Cl.**
USPC **D21/578**

(58) **Field of Classification Search**
USPC D21/593, 398, 418, 584, 621, 594, 611,
D21/578, 588, 585
See application file for complete search history.

(56) **References Cited**

U.S. PATENT DOCUMENTS

D292,110 S	*	9/1987	Tamakoshi	D21/578
D450,788 S	*	11/2001	Kawasaki	D21/578
D515,639 S	*	2/2006	Robinson	D21/578
D529,967 S	*	10/2006	Bowen	D21/533
D554,205 S	*	10/2007	Sato	D21/579
D588,654 S	*	3/2009	Sato	D21/578
D590,453 S	*	4/2009	Sato	D21/584
D592,712 S	*	5/2009	Sato	D21/584
D918,314 S		5/2021	Zhou		
D962,357 S	*	8/2022	Lee	D21/578
D966,434 S	*	10/2022	Lee	D21/578

FOREIGN PATENT DOCUMENTS

CN 3020190018216 * 4/2019

* cited by examiner

Primary Examiner — Khawaja Anwar
Assistant Examiner — Julice Seung Eun Oum

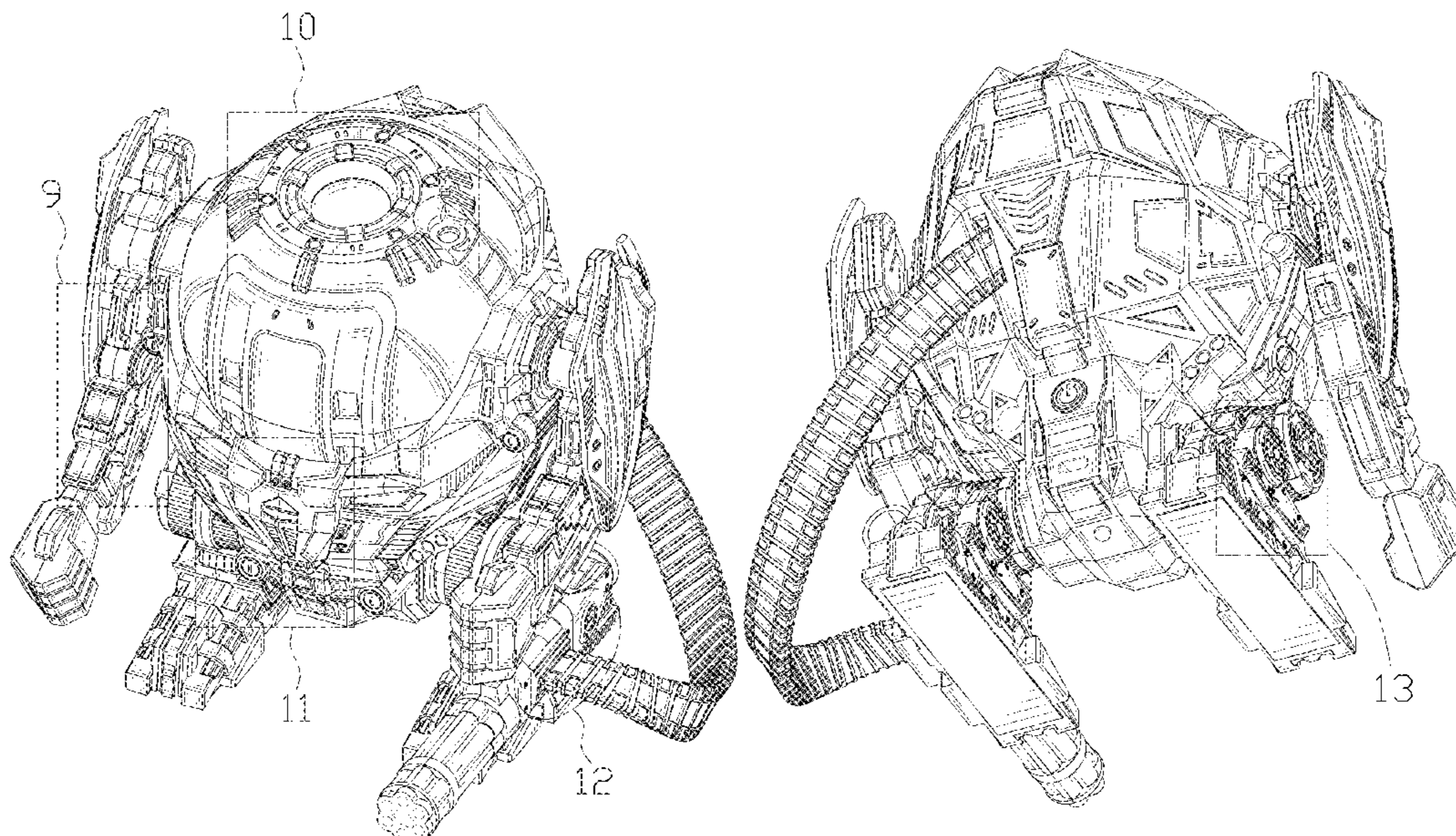
(57) **CLAIM**

The ornamental design for a robot toy, as shown and described.

DESCRIPTION

FIG. 1 is a front and top perspective view of a robot toy, showing my new design;
 FIG. 2 is a rear and bottom perspective view thereof;
 FIG. 3 is a front elevation view thereof;
 FIG. 4 is a rear elevation view thereof;
 FIG. 5 is a left side elevation view thereof;
 FIG. 6 is a right side elevation view thereof;
 FIG. 7 is a top plan view thereof;
 FIG. 8 is a bottom plan view thereof;
 FIG. 9 is an enlarged perspective view of detail "9" identified in FIG. 1;
 FIG. 10 is an enlarged perspective view of detail "10" identified in FIG. 1;
 FIG. 11 is an enlarged perspective view of detail "11" identified in FIG. 1;
 FIG. 12 is an enlarged perspective view of detail "12" identified in FIG. 1; and,
 FIG. 13 is an enlarged perspective view of detail "13" identified in FIG. 2.
 The dashed lines in the figures illustrate portions of the robot toy that form no part of the claimed design. The dash dot dash lines in FIGS. 1, 2, 9, 10, 11, 12 and 13 are for the purpose of illustrating the enlarged views indicators and form no part of the claimed design.

1 Claim, 13 Drawing Sheets



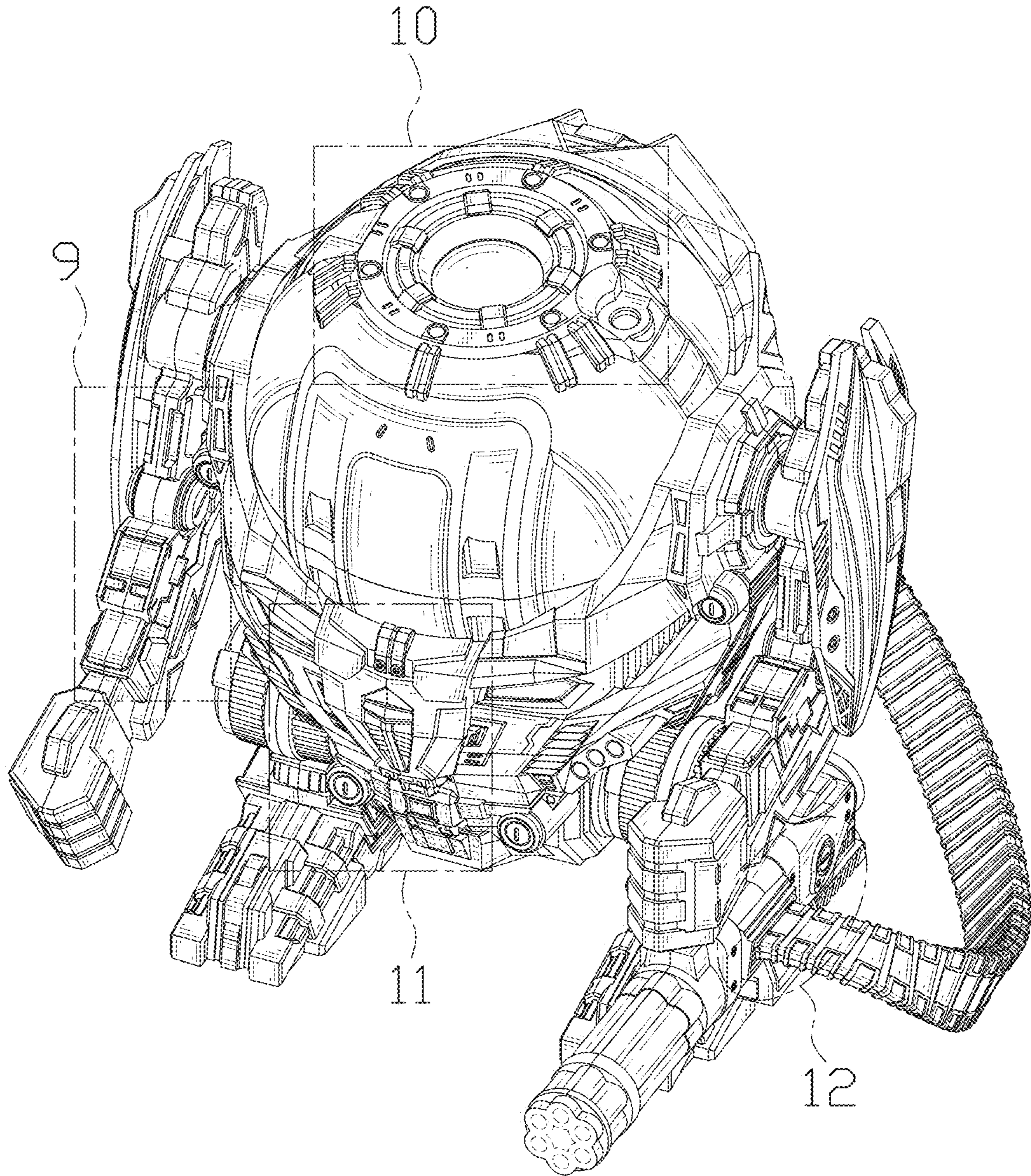


FIG. 1

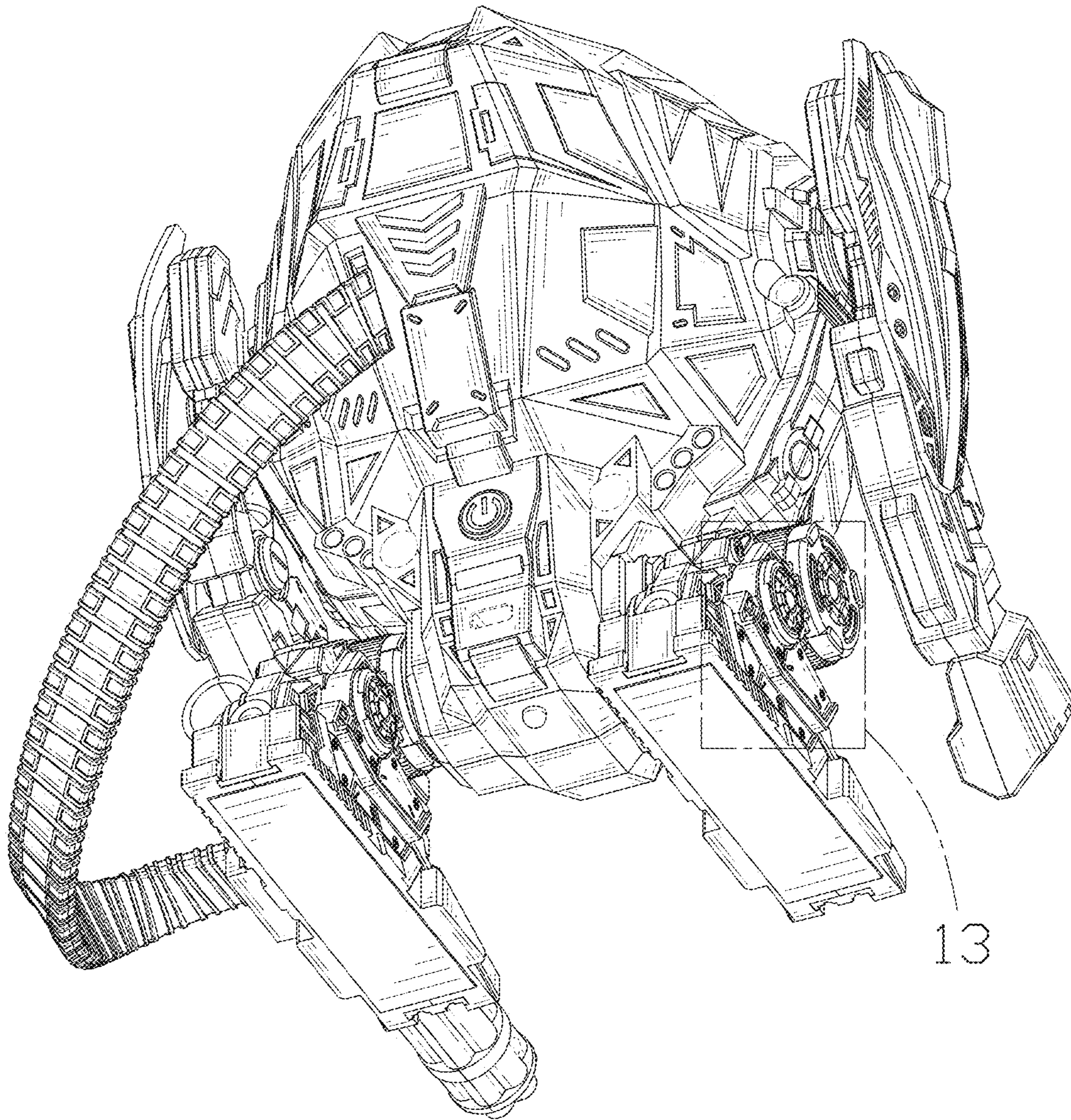


FIG. 2

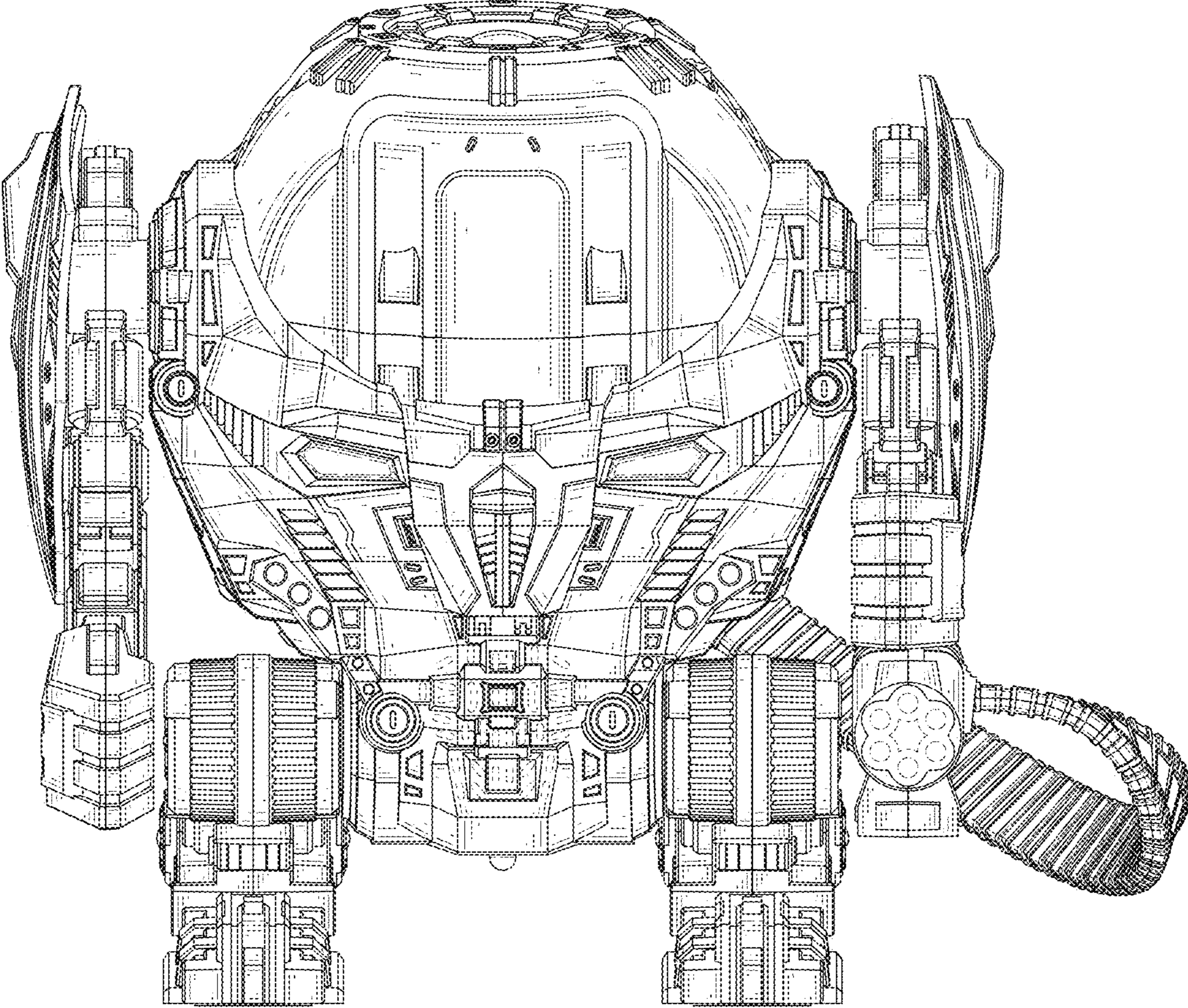


FIG. 3

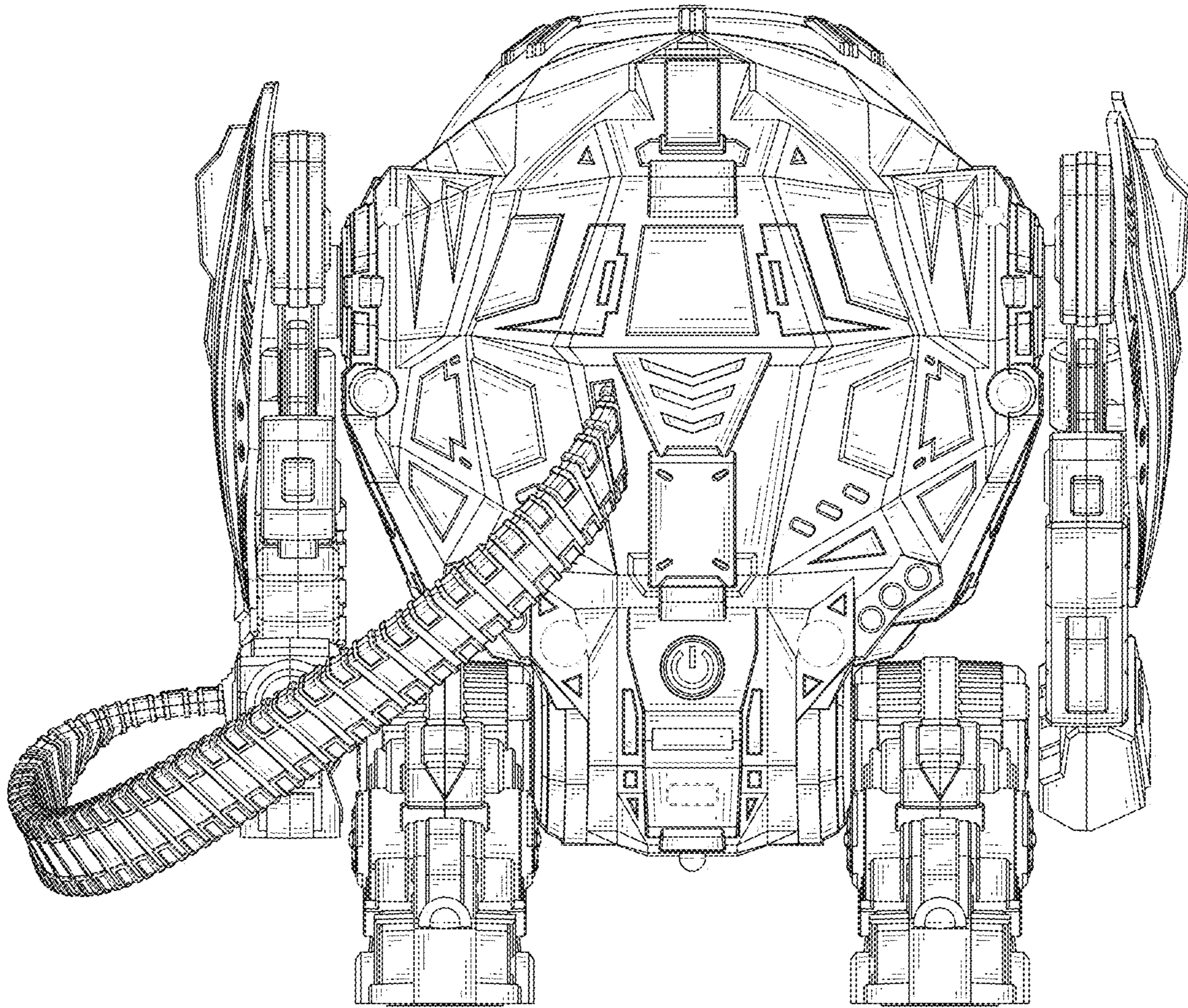


FIG. 4

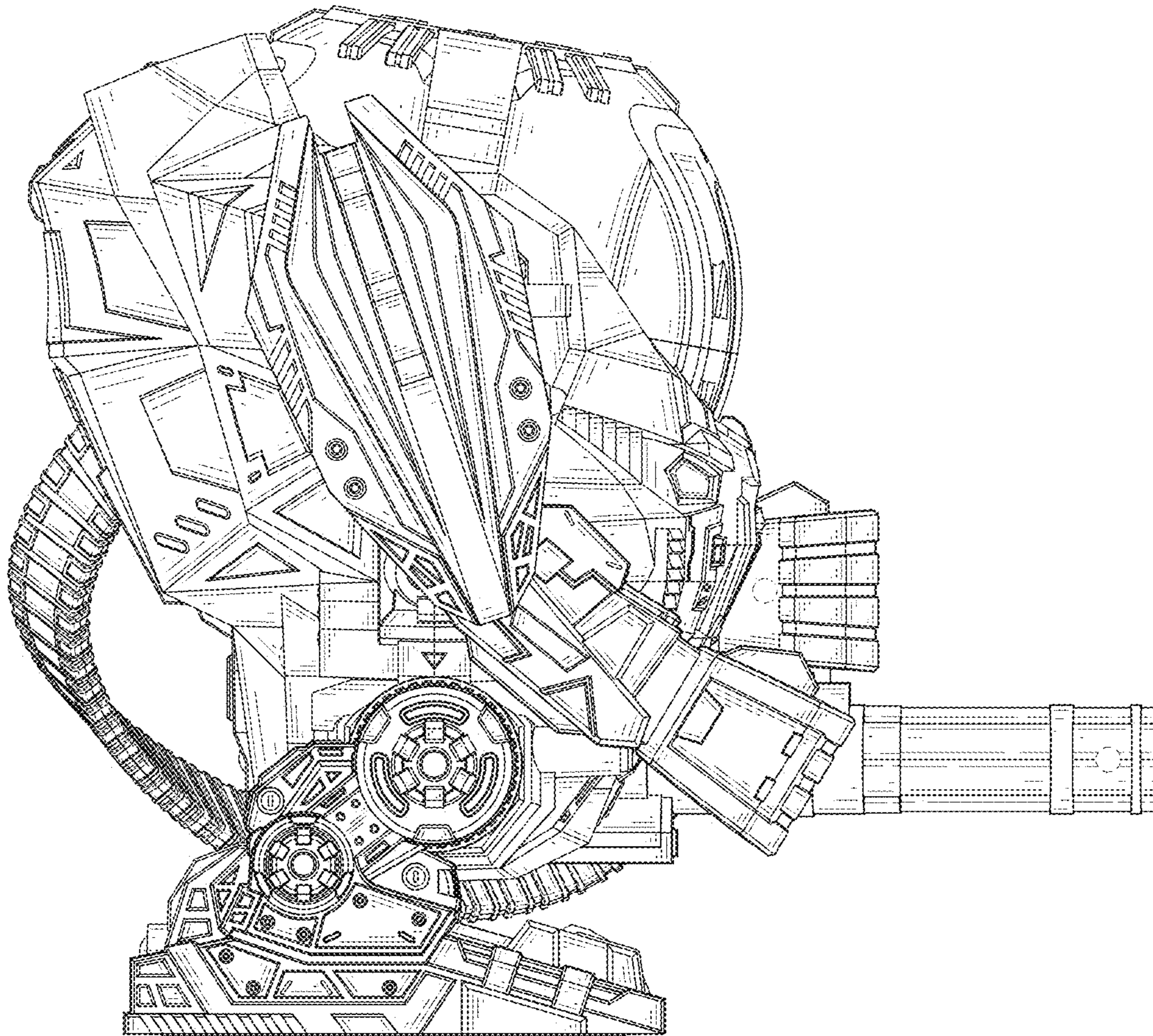


FIG. 5

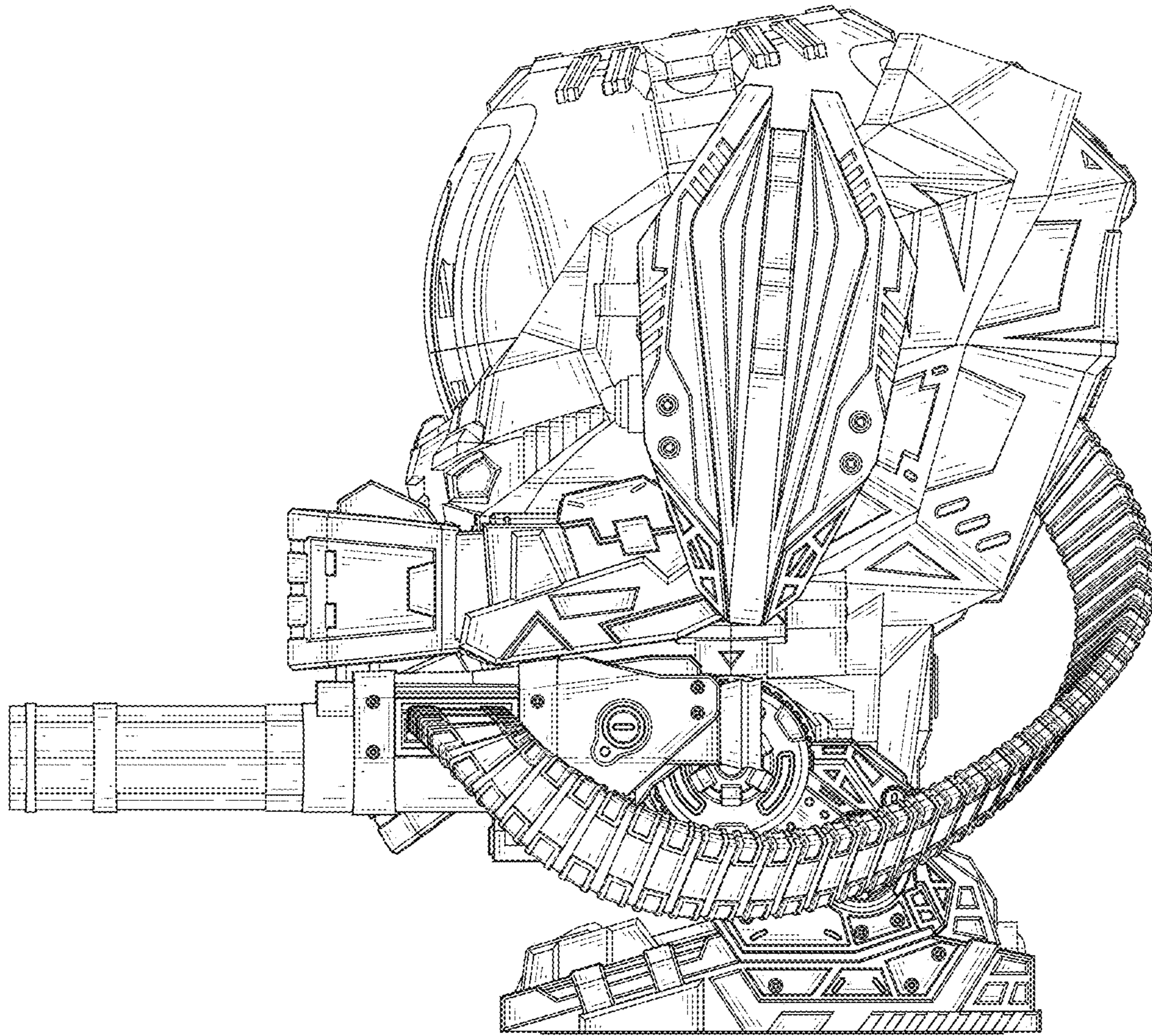


FIG. 6

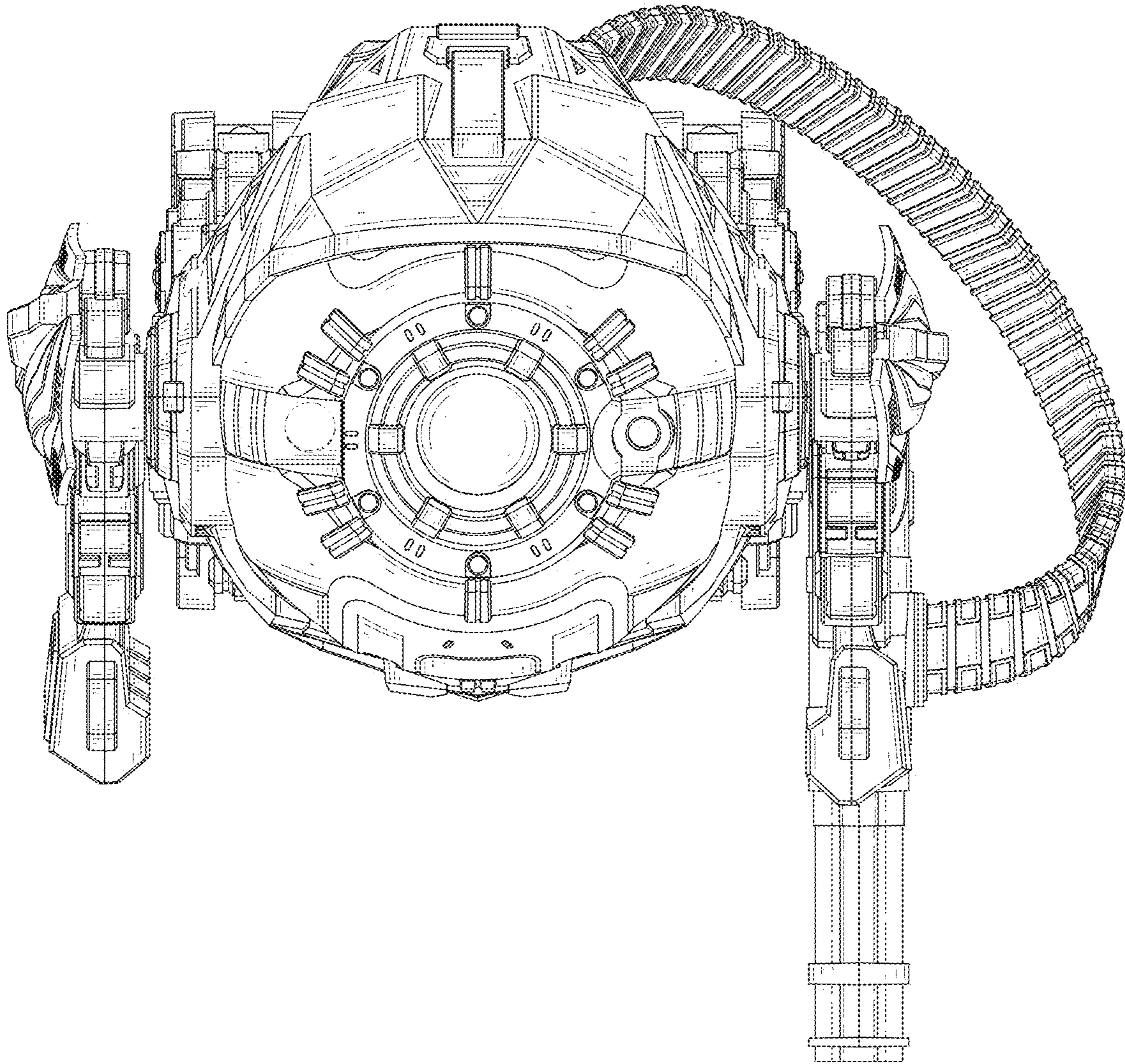


FIG. 7

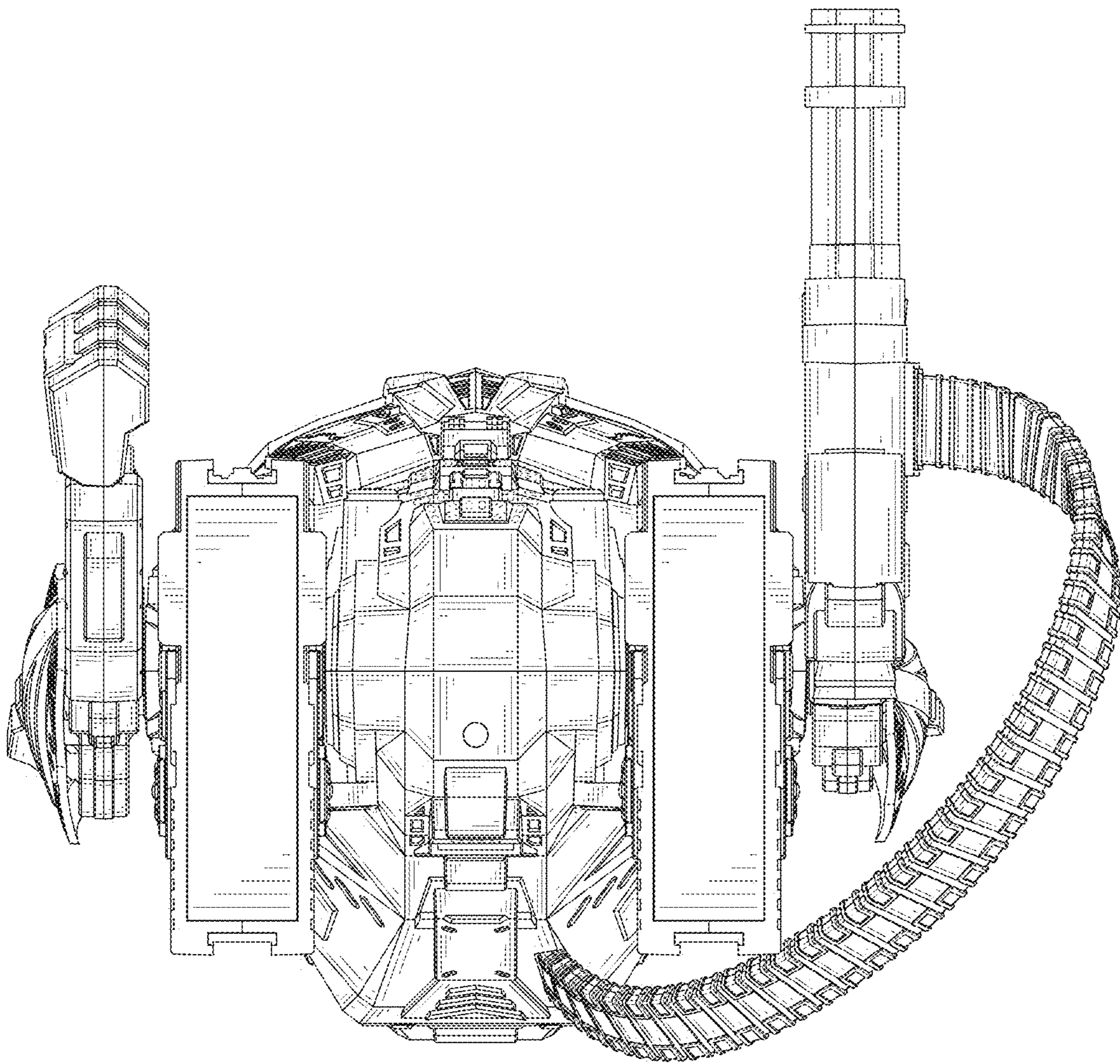


FIG. 8

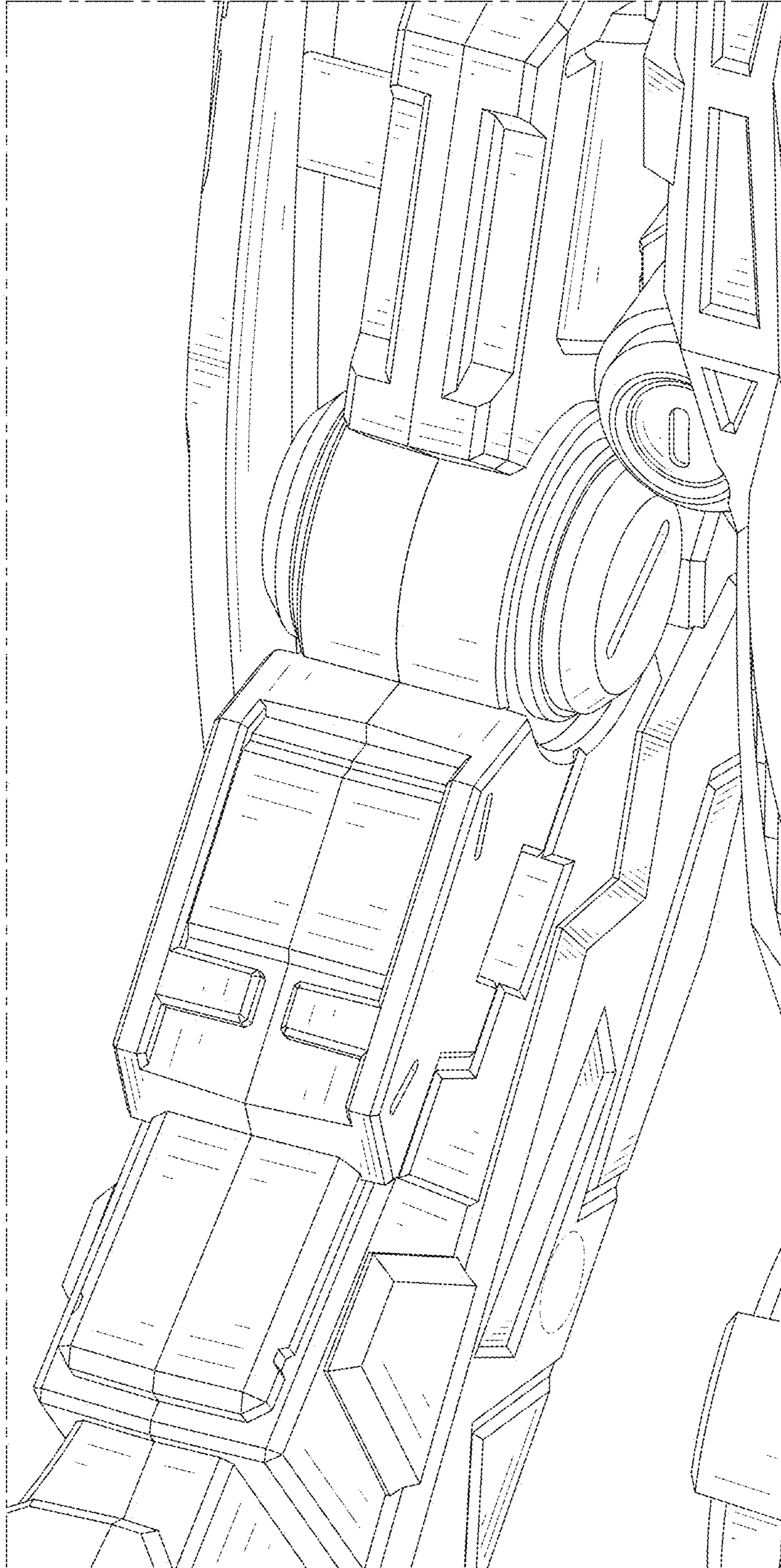


FIG. 9

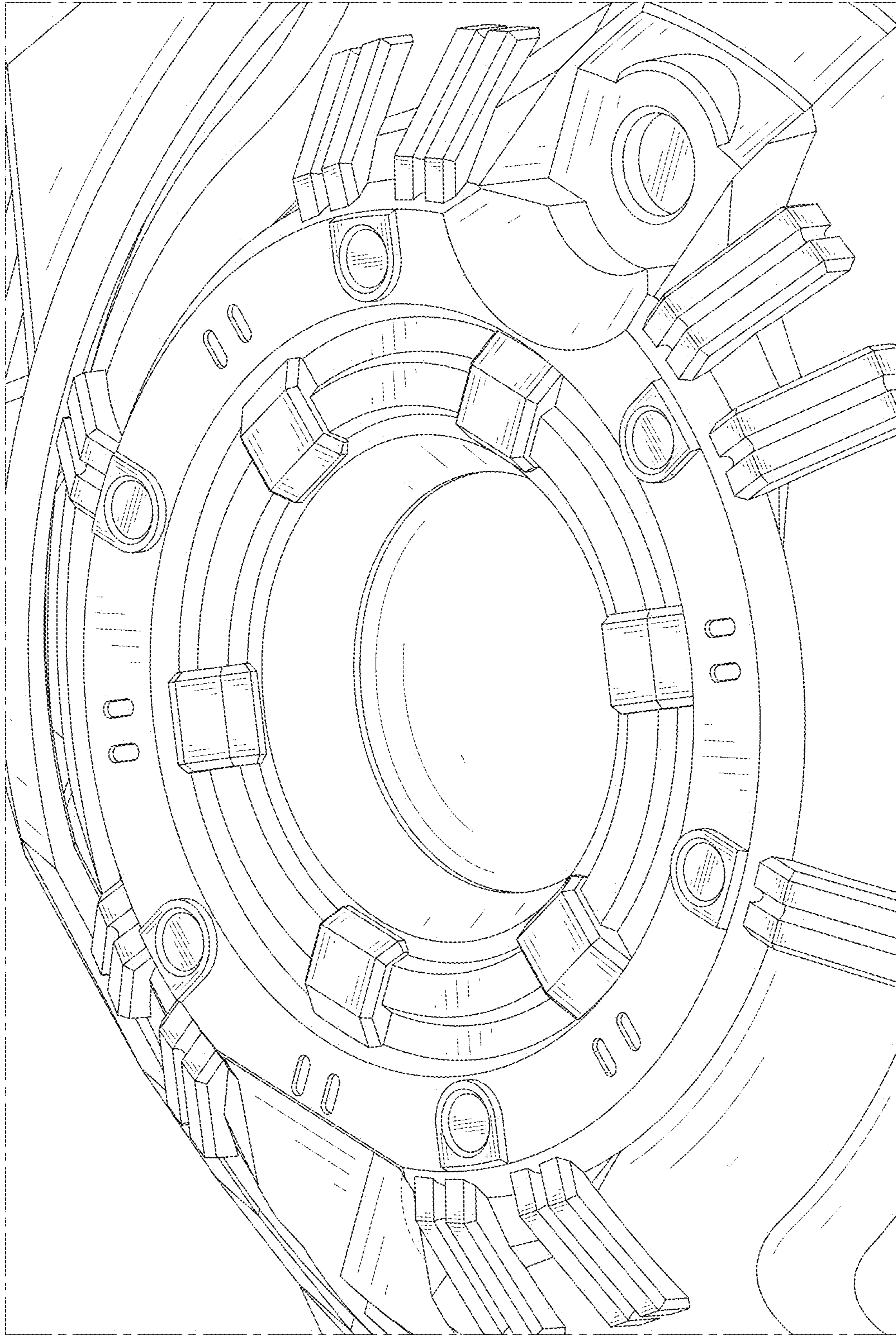


FIG. 10

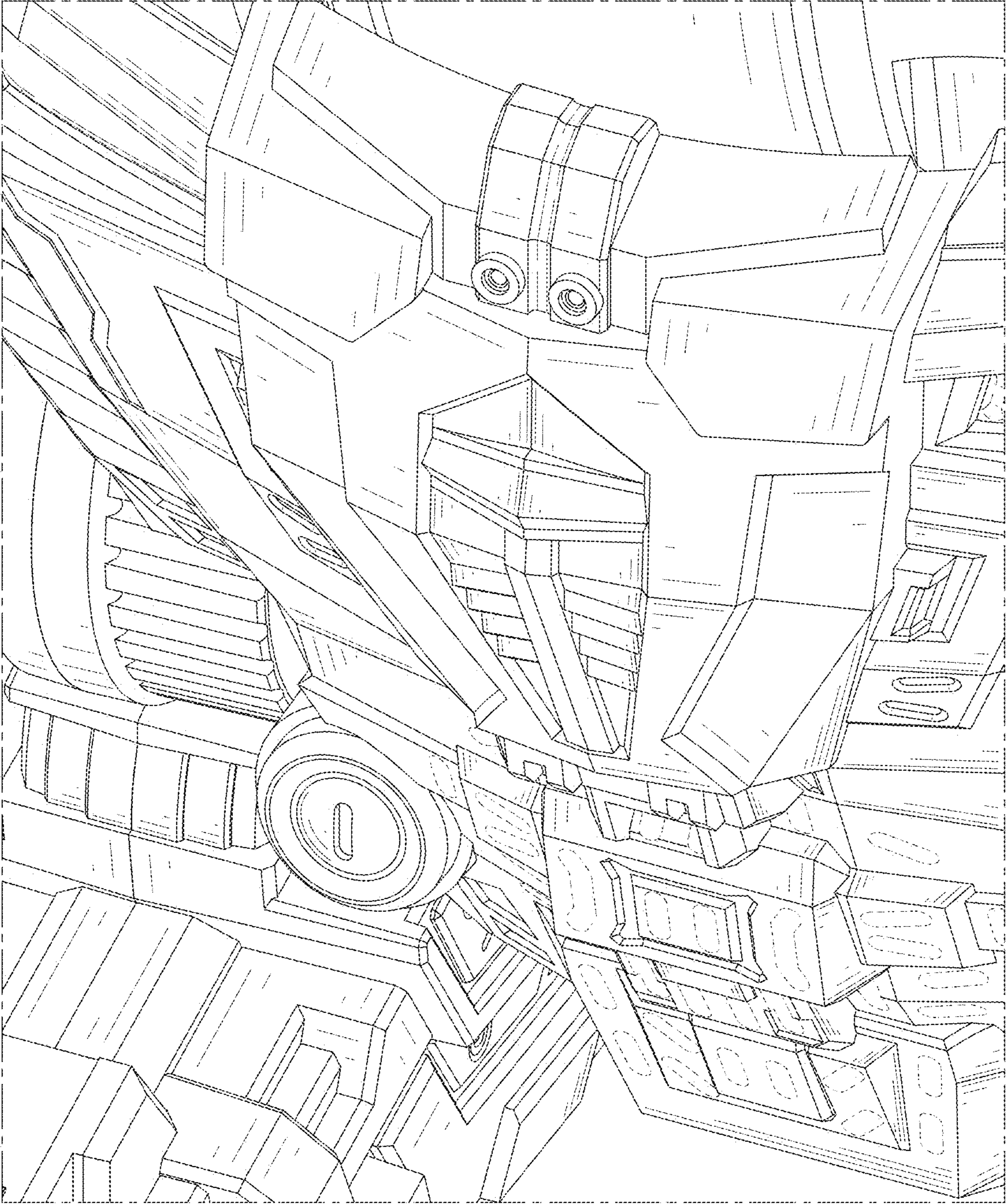


FIG. 11

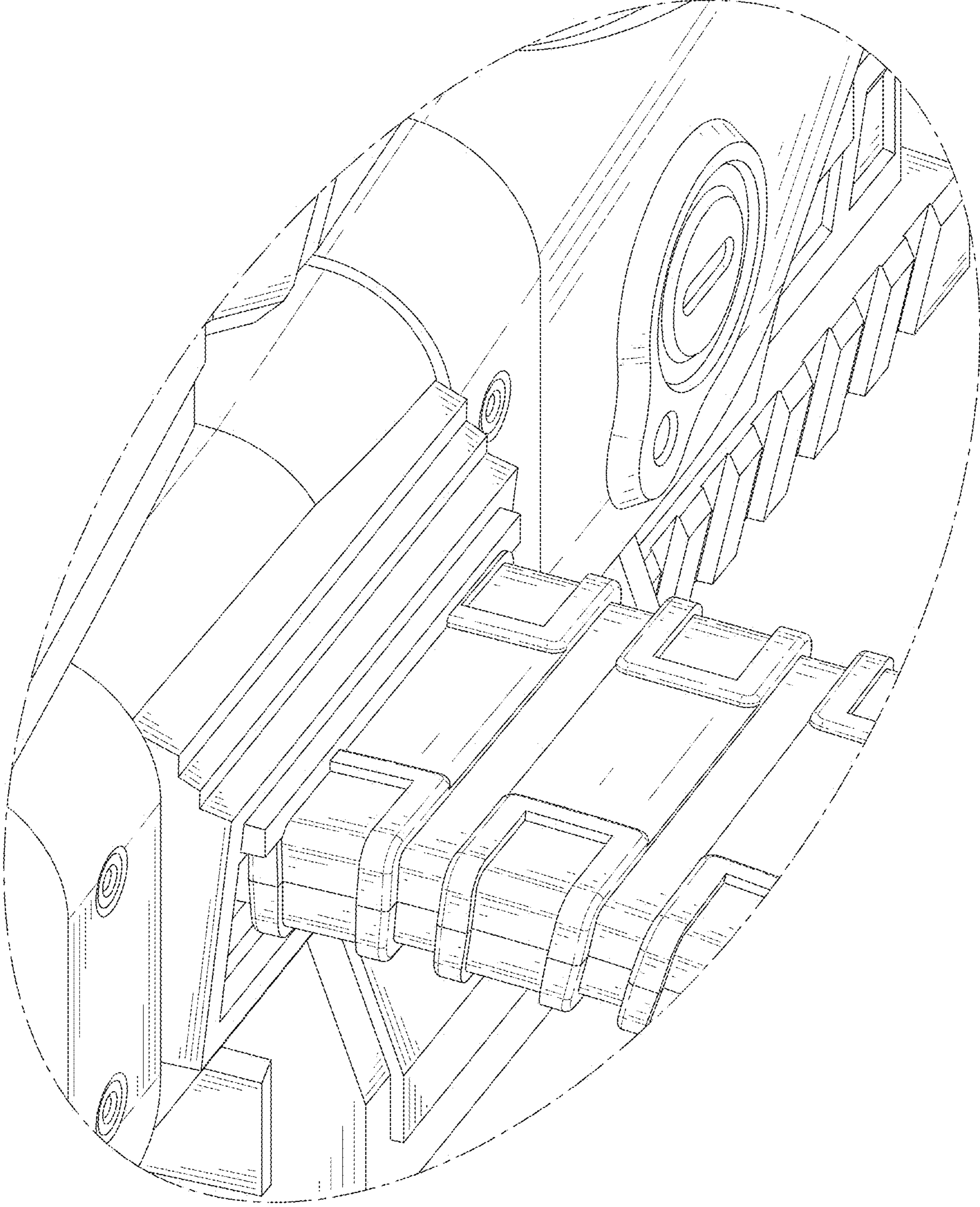


FIG. 12

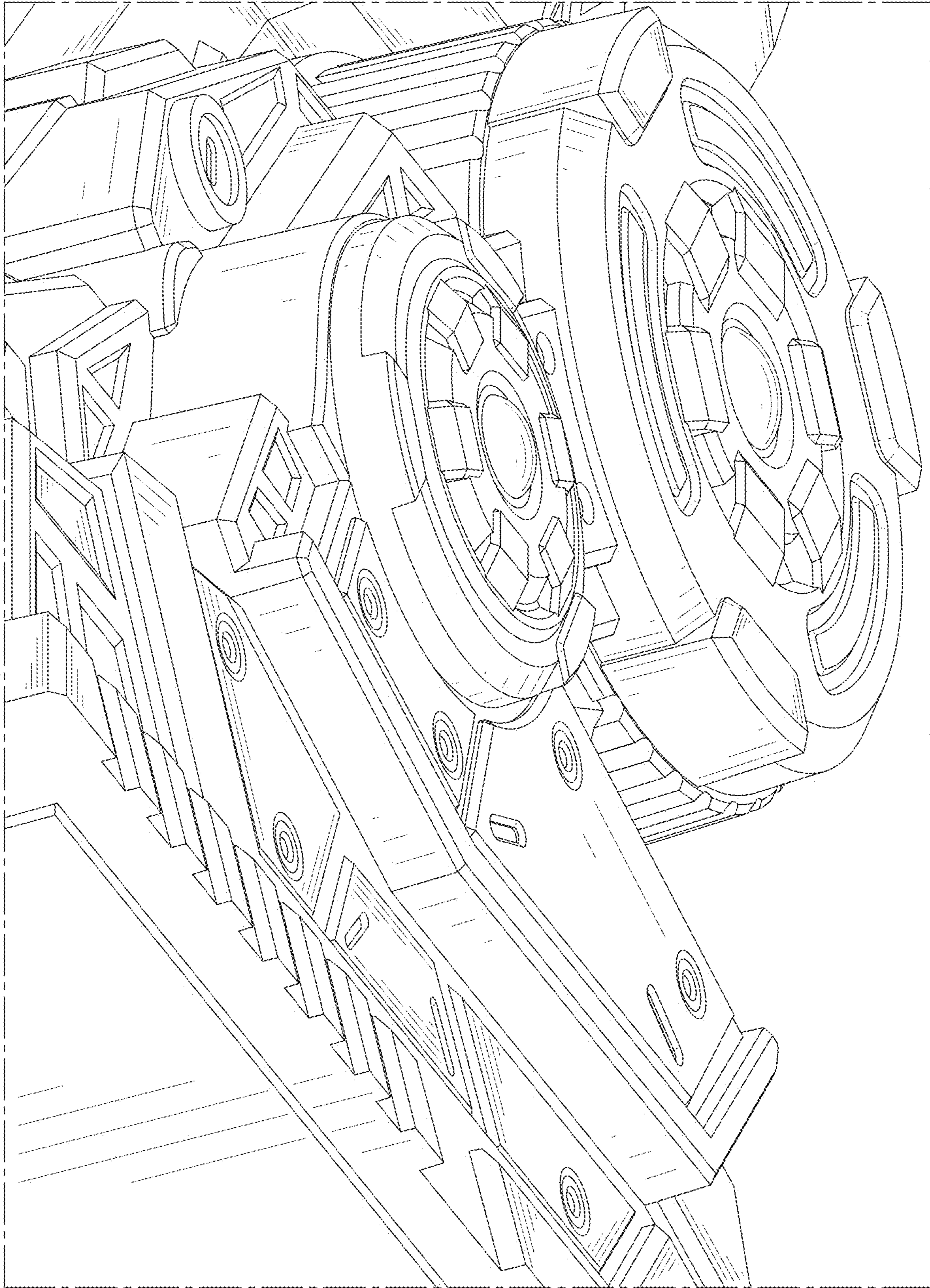


FIG. 13