



US00D978262S

(12) **United States Design Patent** (10) **Patent No.:** **US D978,262 S**
Wu (45) **Date of Patent:** **** Feb. 14, 2023**

(54) **TOY GUN**

(71) Applicant: **Xiaoping Wu**, Shantou (CN)

(72) Inventor: **Xiaoping Wu**, Shantou (CN)

(**) Term: **15 Years**

(21) Appl. No.: **29/838,490**

(22) Filed: **May 13, 2022**

(51) **LOC (14) Cl.** **21-01**

(52) **U.S. Cl.**
USPC **D21/572; D21/573**

(58) **Field of Classification Search**

USPC D21/301, 324–327, 331–333, 385, 401,
D21/567–575; D22/100–108;
D14/412–413, 415–416, 418, 426–428,
D14/430; D10/46, 98
CPC A63H 33/009; A63H 33/28; A63H 33/30;
A63H 33/3072; A63H 33/36; A63H
2200/00; F41C 3/005; F41C 3/06; F41C
3/08; F41C 3/10; F41C 3/12; F41C 3/00;
F41C 3/14; F41C 3/16; F41C 7/00; F41C
7/02; F41C 7/025; F41C 7/04; F41C
7/06; F41C 7/11; F41C 7/12; F41C 9/00;
F41C 27/00; F41C 33/08; F41B 7/08;
F41B 11/89; F41B 5/00; F41B 5/0005;
F41B 5/001; F41B 5/0026; F41B 5/0031;
F41B 5/0052; F41B 5/0073; F41B
5/0094; F41B 5/10; F41B 5/12; F41B
5/123; F41B 5/126; F41B 1/00; F41B
9/00; F41B 9/005; F41B 9/0053; F41B
9/0009; F41B 9/0012; F41B 9/0028;
F41B 9/0031; F41B 9/0078; F41B
9/0081; F41B 9/0096; A63F 13/837;
A63F 13/92; A63F 13/98; A63F 13/00;
A63F 13/20; A63F 13/24; A63F 13/245;
A63F 9/02; A63F 9/0252; A63F
2009/0256; A63F 2009/0265; A63F
2009/026; G06F 3/011;

(Continued)

(56) **References Cited**

U.S. PATENT DOCUMENTS

5,150,819 A * 9/1992 Johnson F41B 9/0018
222/401
D336,938 S * 6/1993 D'Andrade D21/572
(Continued)

OTHER PUBLICATIONS

Trevisca Gel Ball Blaster, posted at Amazon, question posting date Aug. 25, 2022. Site visited Sep. 17, 2022. URL: <<https://www.amazon.com/Trevisca-Ball-Blaster-Automatic-Beads/dp/B0B79LK8Z3/>> (Year: 2022).*

(Continued)

Primary Examiner — Kathleen L Jones

(74) *Attorney, Agent, or Firm* — Che-Yang Chen; Law Office of Michael Chen

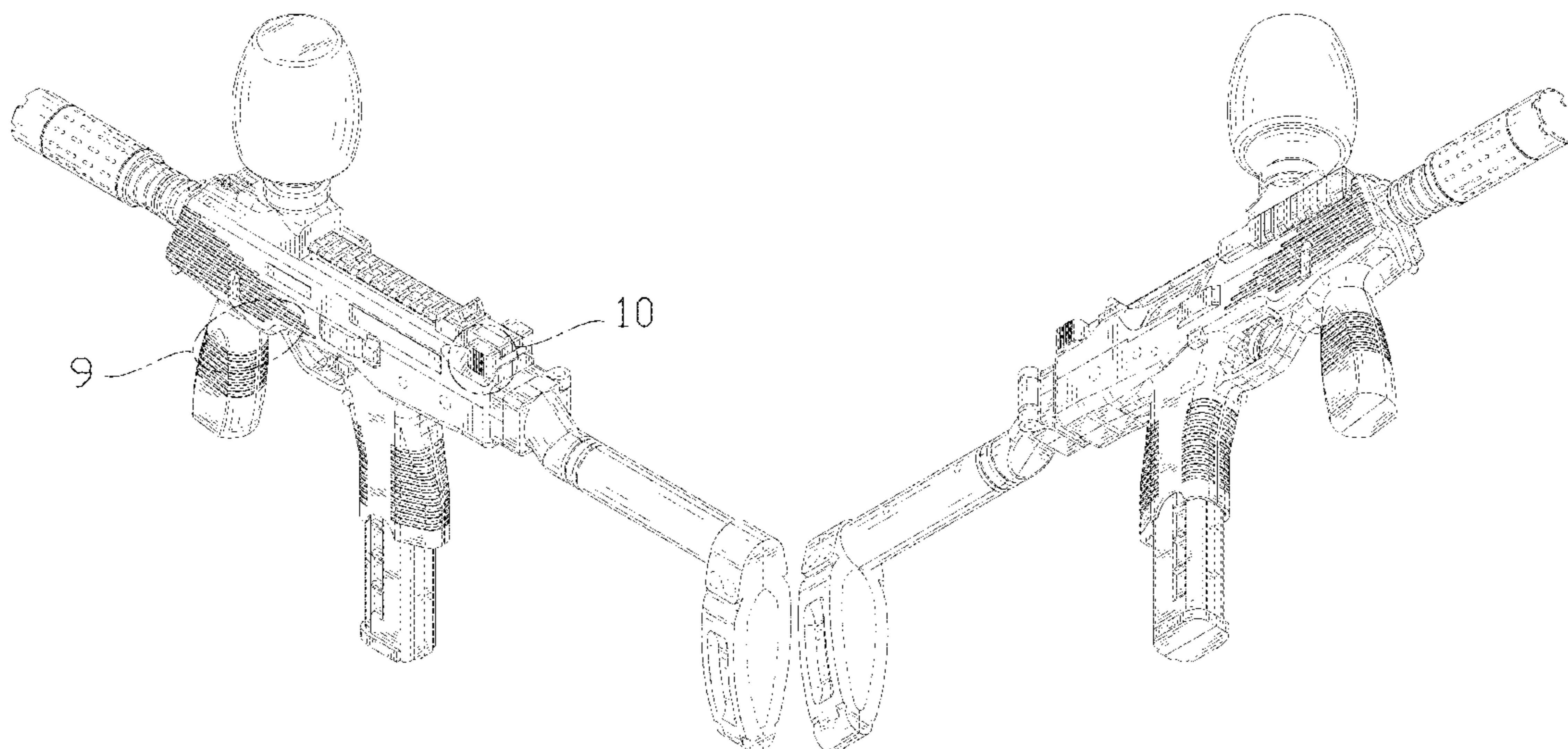
(57) **CLAIM**

The ornamental design for a toy gun, as shown and described.

DESCRIPTION

FIG. 1 is a perspective view of the toy gun showing my new design;
FIG. 2 is a perspective view thereof from another angle;
FIG. 3 is a front elevational view thereof;
FIG. 4 is a rear elevational view thereof;
FIG. 5 is a left side elevational view thereof;
FIG. 6 is a right side elevational view thereof;
FIG. 7 is a top plan view thereof;
FIG. 8 is a bottom plan view thereof;
FIG. 9 is a partial enlarged view of portion 9 in FIG. 1; and,
FIG. 10 is a partial enlarged view of portion 10 in FIG. 1.
The evenly spaced broken lines showing portions of the toy gun form no part of the claimed design; the unevenly spaced broken lines delineate areas of the figures shown enlarged and form no part of the claimed design.

1 Claim, 10 Drawing Sheets



(58) **Field of Classification Search**

CPC G06F 3/014; G06F 3/02; G06F 3/0202;
G06F 2203/0331; G01S 13/92; G01S
13/91; G01S 13/93; G01S 13/931; G01S
2013/932

See application file for complete search history.

(56) **References Cited**

U.S. PATENT DOCUMENTS

D337,627	S	*	7/1993	Moran	D21/572
D338,697	S	*	8/1993	Salmon	D21/572
D340,957	S	*	11/1993	D'Andrade	D21/572
D348,912	S	*	7/1994	Camino	D21/572
D350,574	S	*	9/1994	Camino	D21/572
D359,529	S	*	6/1995	Nguyen	D21/572
6,540,108	B1	*	4/2003	Johnson	F41B 9/0012 222/401
D947,291	S		3/2022	Wu		
D948,634	S		4/2022	Lin		

OTHER PUBLICATIONS

Janniress, Splatter Soft Water Ball Blasters, posted at Amazon, question posting date Apr. 11, 2022/ Site visited Sep. 16, 2022. URL: <<https://www.amazon.com/Splatter-Blasters-Outdoor-Activities-Birthday/dp/B09VH4PH4F/>> (Year: 2022).*

Hikewintoy, Electric Splatter Ball Gun, posted at Amazon, question posting date Jun. 7, 2022. Site visited Sep. 16, 2022. URL: <<https://www.amazon.com/Electric-Splatter-Ball-Gun-Hikewintoy/dp/B09WR1DDCF/>> (Year: 2022).*

* cited by examiner

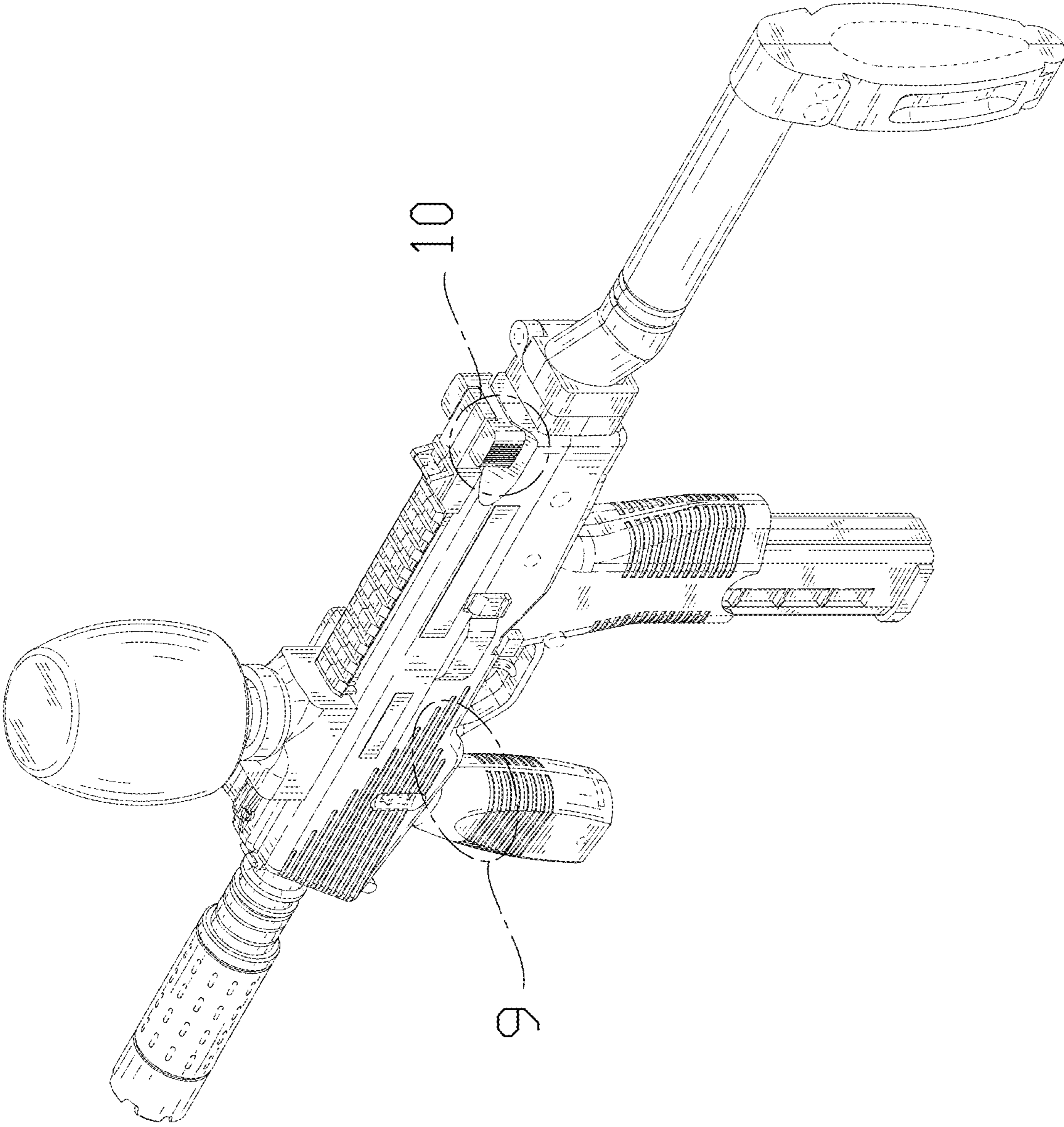


FIG. 1

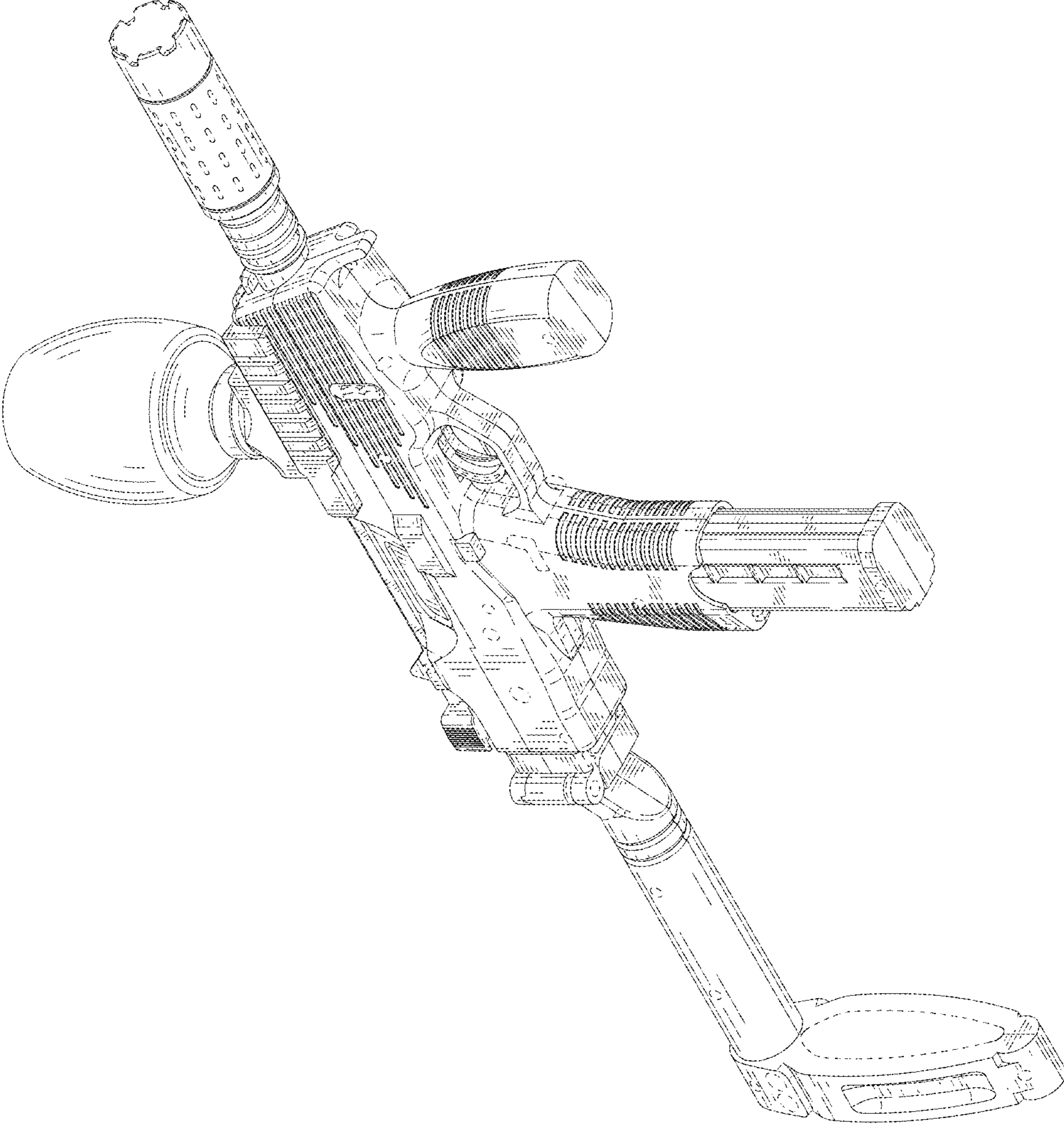


FIG. 2

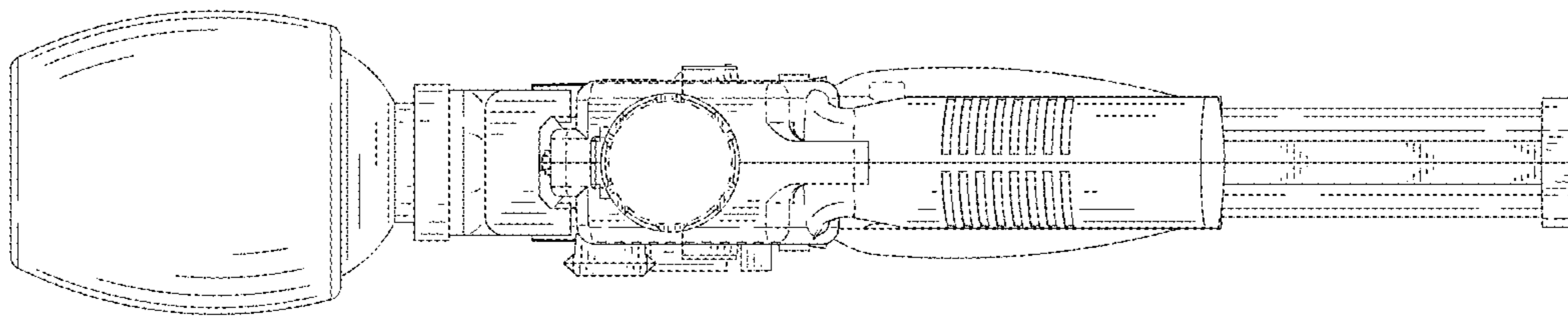


FIG. 3

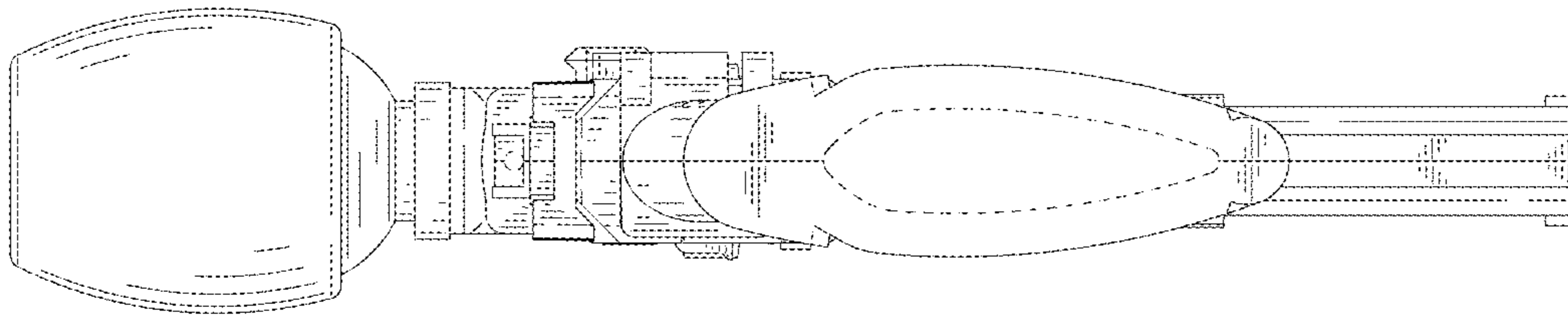


FIG. 4

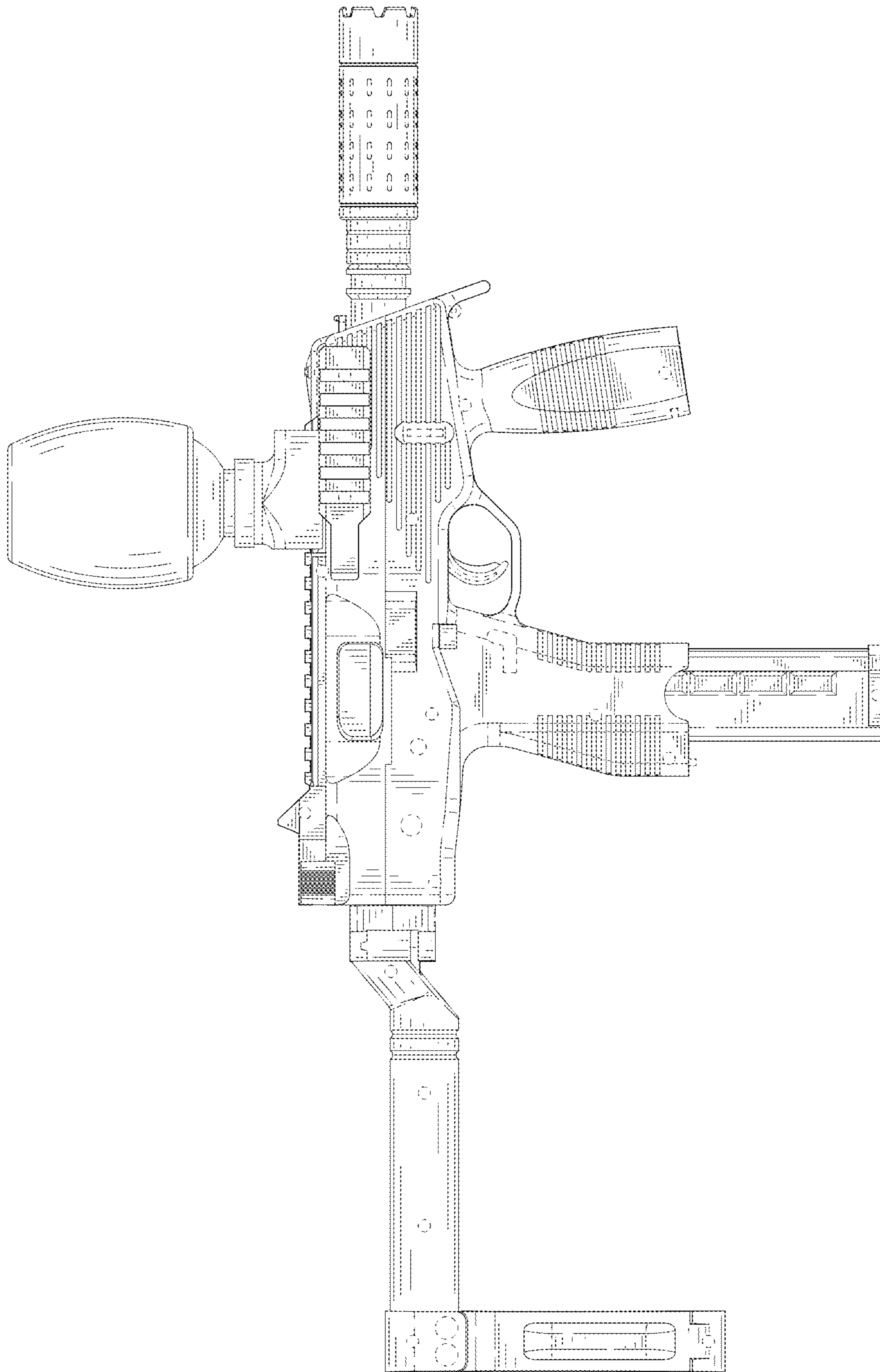


FIG. 5

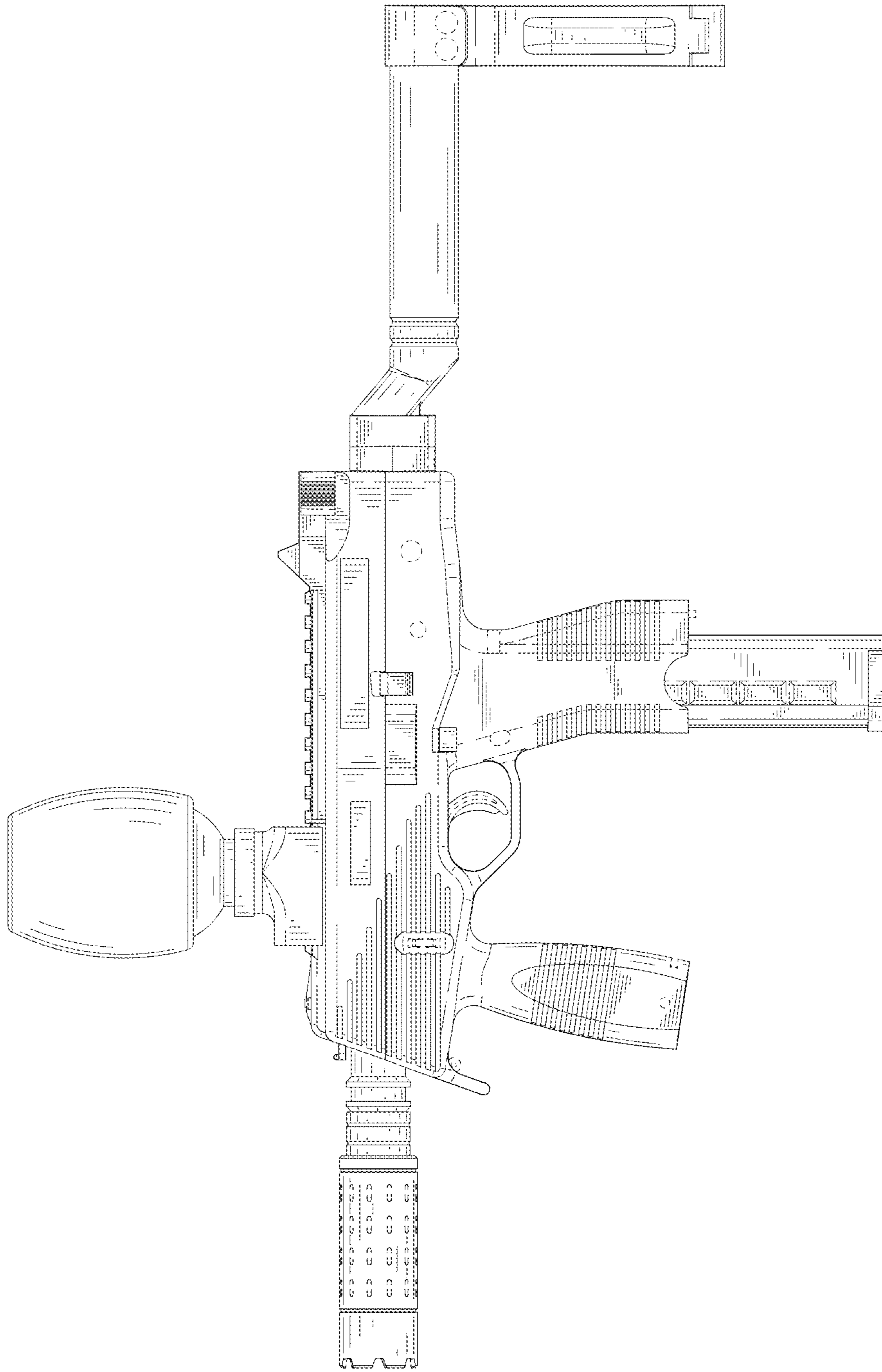


FIG. 6

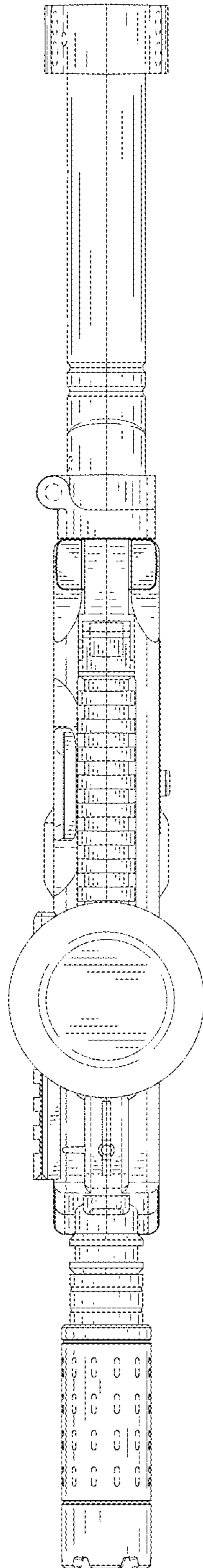


FIG. 7

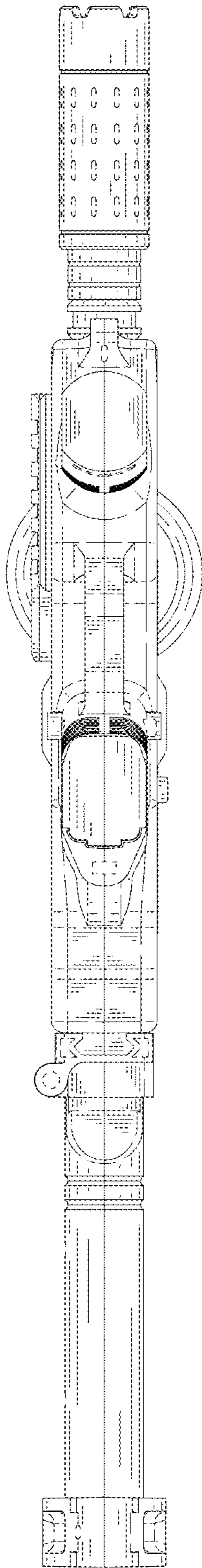


FIG. 8

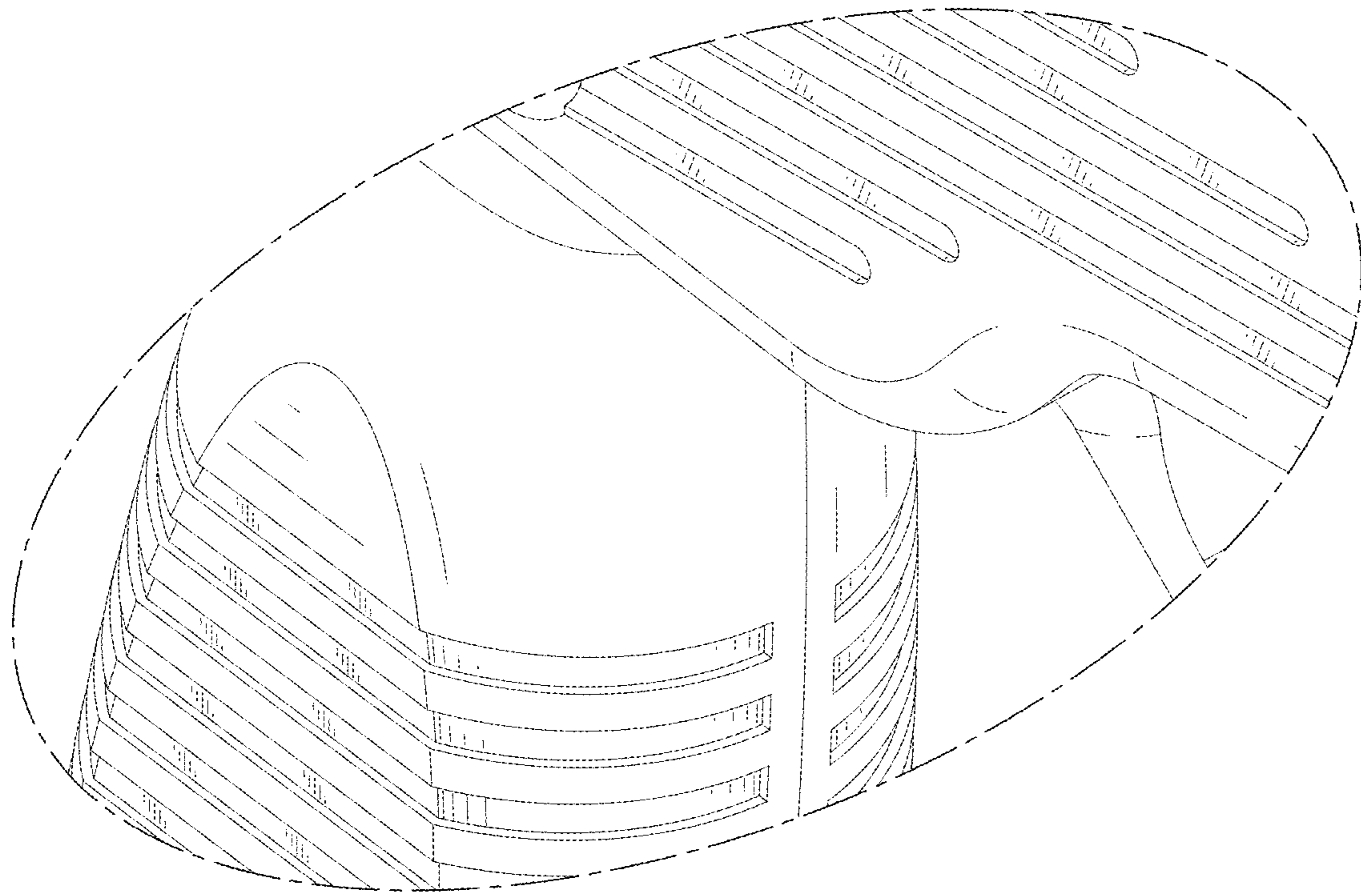


FIG. 9

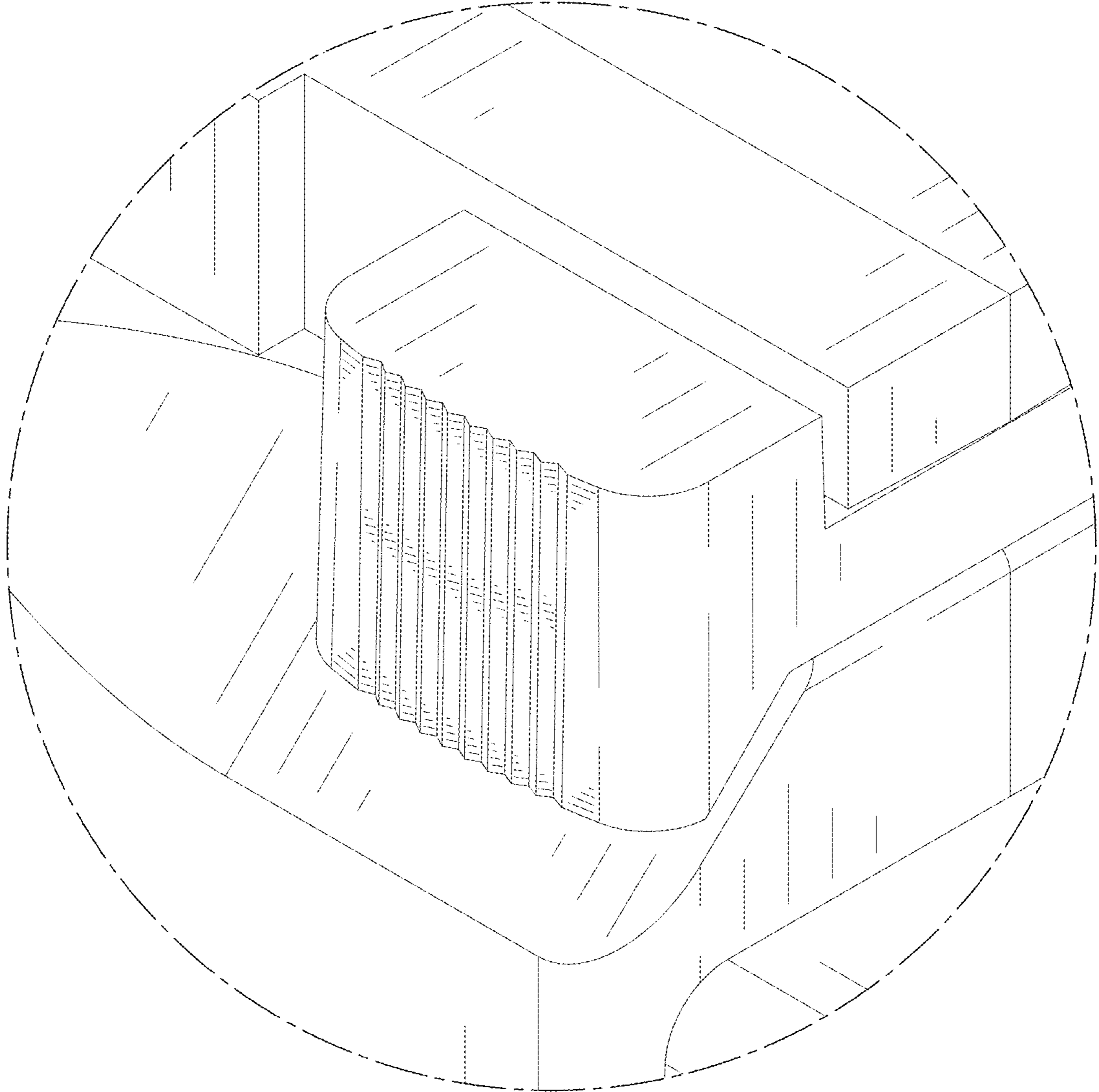


FIG. 10