

US00D978260S

(12) **United States Design Patent** (10) **Patent No.:** **US D978,260 S**
Liu (45) **Date of Patent:** **** Feb. 14, 2023**

(54) **TOY CRANE**
(71) Applicant: **Wenrui Liu**, Shantou (CN)
(72) Inventor: **Wenrui Liu**, Shantou (CN)
(73) Assignee: **SHANTOU JIABAILE BABY PRODUCTS CO. LTD**, Shantou (CN)
(**) Term: **15 Years**

D424,130 S * 5/2000 Wei D21/537
6,695,568 B2 * 2/2004 Bares E02F 3/34
414/685
D538,303 S * 3/2007 Kumagai D15/24
(Continued)

FOREIGN PATENT DOCUMENTS

CN 303289217 * 7/2015
CN 304658261 * 6/2018
(Continued)

(21) Appl. No.: **29/731,127**
(22) Filed: **Apr. 13, 2020**
(51) **LOC (14) Cl.** **21-01**
(52) **U.S. Cl.**
USPC **D21/537**
(58) **Field of Classification Search**
USPC D21/533, 548, 549, 550, 551, 552, 431,
D21/537, 554, 556
CPC .. A63H 17/12; A63H 17/06; B60Y 2200/412;
B60Y 2200/416
See application file for complete search history.

OTHER PUBLICATIONS

Robots for Kids, available on amazon.com, oldest customer review Oct. 6, 2019, [site visited Dec. 27, 2021], URL: <https://www.amazon.com/HBUDS-Intelligent-Interactive-Programmable-Rechargeable/dp/B07YHRX1TX/> (Year: 2019).*
(Continued)

Primary Examiner — Dana K Weiland
Assistant Examiner — Emily Anna Saunders
(74) *Attorney, Agent, or Firm* — Jeenam Park

(56) **References Cited**

U.S. PATENT DOCUMENTS

3,744,181 A * 7/1973 Gagnon A63H 17/12
446/425
3,874,111 A * 4/1975 Pauly A63H 17/12
446/425
D249,576 S * 9/1978 Dunbar D21/537
D251,626 S * 4/1979 Nakao D21/537
D261,787 S * 11/1981 Breneman D21/537
D287,986 S * 1/1987 Matsui D21/578
D290,146 S * 6/1987 Horiuchi D21/578
D292,604 S * 11/1987 Seo D21/578
D293,345 S * 12/1987 Takizawa D21/578
D298,766 S * 11/1988 Tanno D21/578
5,487,428 A * 1/1996 Yamamoto E02F 3/845
172/4.5
5,609,464 A * 3/1997 Moffitt E02F 3/3405
414/685
D401,292 S * 11/1998 Park D21/537

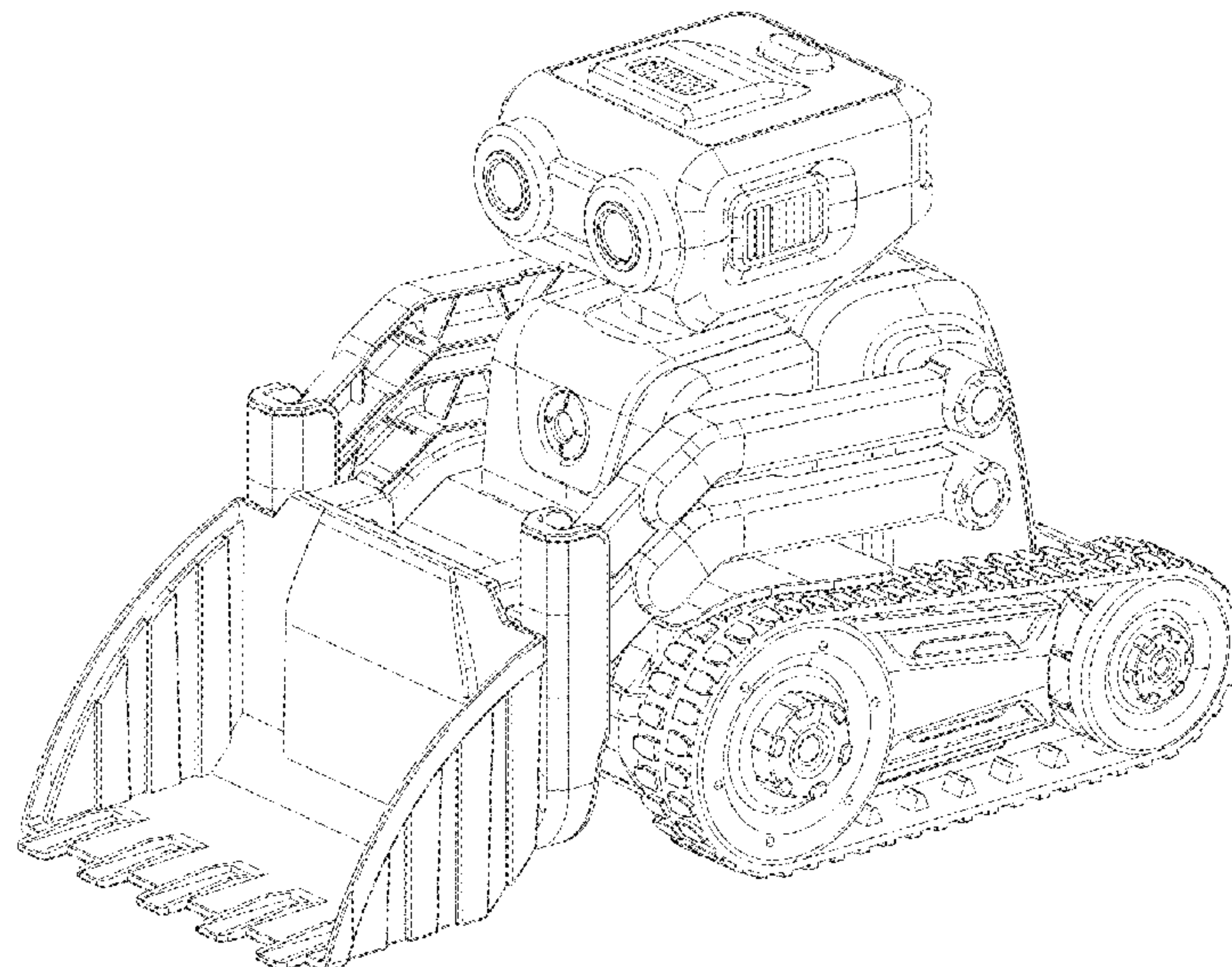
(57) **CLAIM**

The ornamental design for a toy crane, as shown and described.

DESCRIPTION

FIG. 1 is a perspective view of a toy crane showing my new design;
FIG. 2 is a front elevational view thereof;
FIG. 3 is a top plan view thereof;
FIG. 4 is a right side elevational view thereof;
FIG. 5 is a rear elevational view thereof;
FIG. 6 is a left side elevational view thereof; and,
FIG. 7 is a bottom view thereof.
The broken lines in the drawings depict portions of the toy crane that form no part of the claimed design.

1 Claim, 7 Drawing Sheets



(56)

References Cited

U.S. PATENT DOCUMENTS

D552,629	S	*	10/2007	Kumagai	D15/24
D590,846	S	*	4/2009	Kinsinger	D15/22
9,321,386	B1	*	4/2016	Thomas	B66F 9/06
9,970,176	B2	*	5/2018	Azure	E02F 3/3405
10,202,266	B2	*	2/2019	Thomas	B66F 9/0759
D879,210	S	*	3/2020	Bloch	D21/522
D907,132	S	*	1/2021	Lin	D21/578
D922,464	S	*	6/2021	Xin	D15/199
D962,358	S	*	8/2022	Chen	D21/578
D963,068	S	*	9/2022	Liu	D21/537
D965,700	S	*	10/2022	Liu	D21/537
D966,433	S	*	10/2022	Tian	D15/199
2009/0116943	A1	*	5/2009	Valere	B62D 55/14 414/467

FOREIGN PATENT DOCUMENTS

CN	305126044	*	4/2019
CN	305372938	*	10/2019
CN	305524287	*	12/2019
CN	305626764	*	2/2020
CN	306231796	*	12/2020
CN	306231798	*	12/2020
CN	306648964	*	6/2021

OTHER PUBLICATIONS

Remoking Remote Control Robot, available on amazon.co.uk, date first available Mar. 5, 2021, [site visited Dec. 27, 2021] URL: <https://www.amazon.co.uk/REMOKING-Construction-Bulldozer-Learning-Educational/dp/B08Y576297/> (Year: 2021).*

Remoking Robot Toys, available on amazon.co.uk, date first available Jan. 28, 2021, [site visited Dec. 27, 2021], URL: <https://www.amazon.co.uk/REMOKING-Flexible-Children-Educational-Birthday/dp/B08V8RM9ZG/> (Year: 2021).*

Small battery operation smart robot toy, available on globalsources.com, release date Sep. 29, 2020, [site visited Dec. 27, 2021], URL: <https://www.globalsources.com/Toy-robot/RC-smart-robot-1180121248p.htm> (Year: 2020).*

Robot Toy, available on amazon.com, date first available Oct. 21, 2021, [site visited Dec. 27, 2021], URL: <https://www.amazon.com/dp/B08SR4J6XX/> (Year: 2021).*

Vector Robot by Anki, available on amazon.co.uk, release date Oct. 12, 2018, [site visited Dec. 27, 2021], URL: <https://www.amazon.co.uk/Vector-Robot-Anki-Controlled-Built/dp/B078T42JCM/> (Year: 2018).*

* cited by examiner

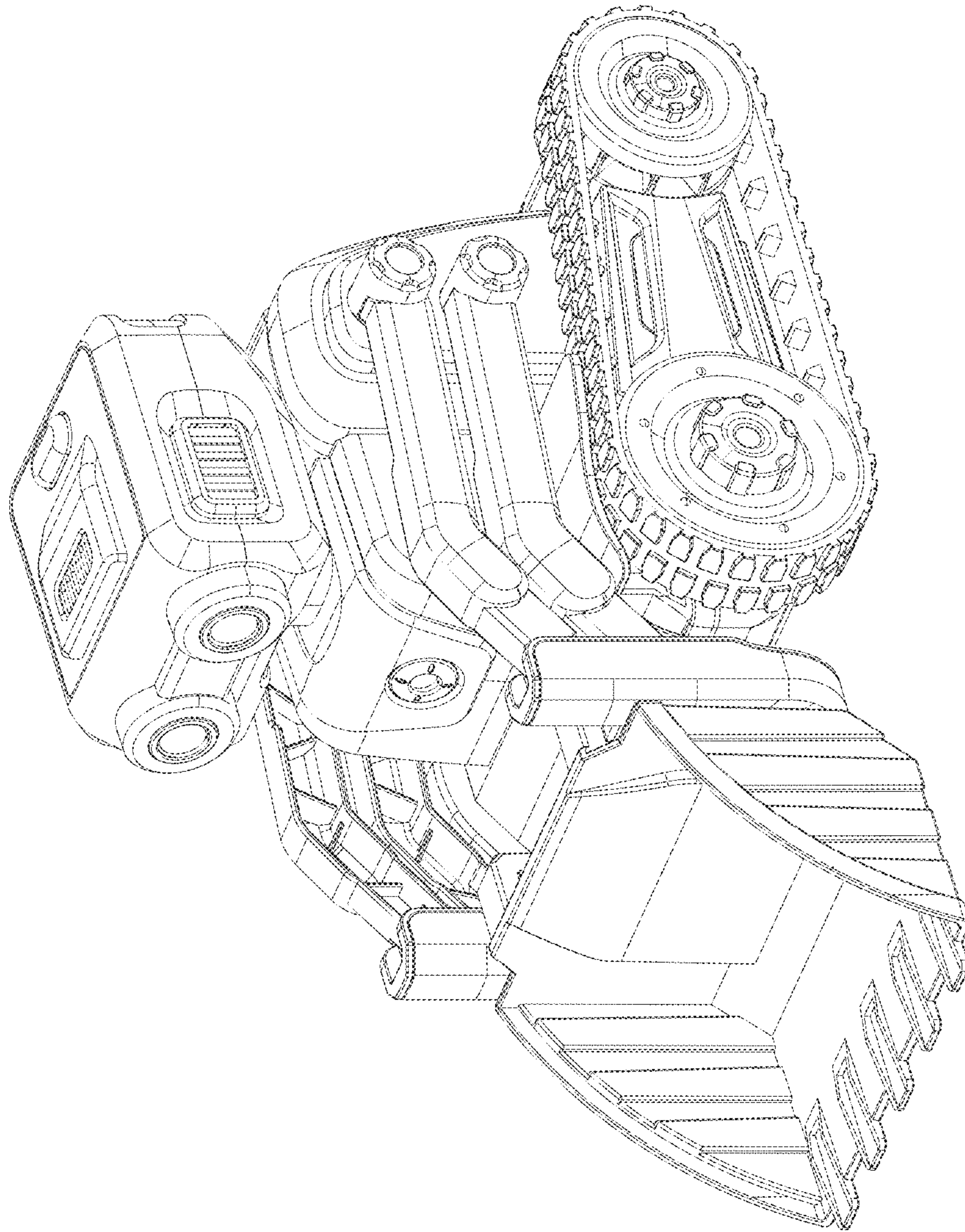


FIG. 1

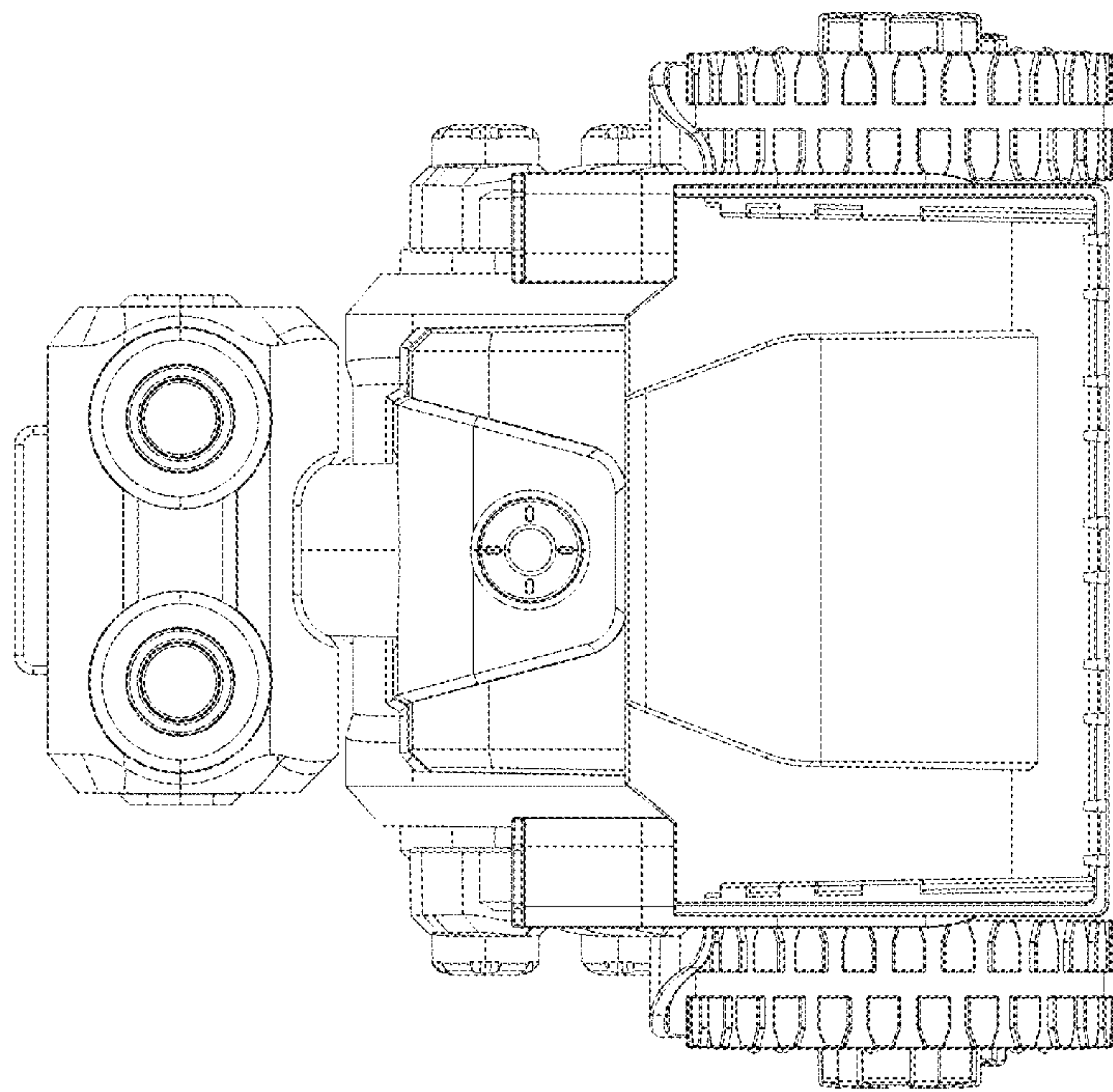


FIG. 2

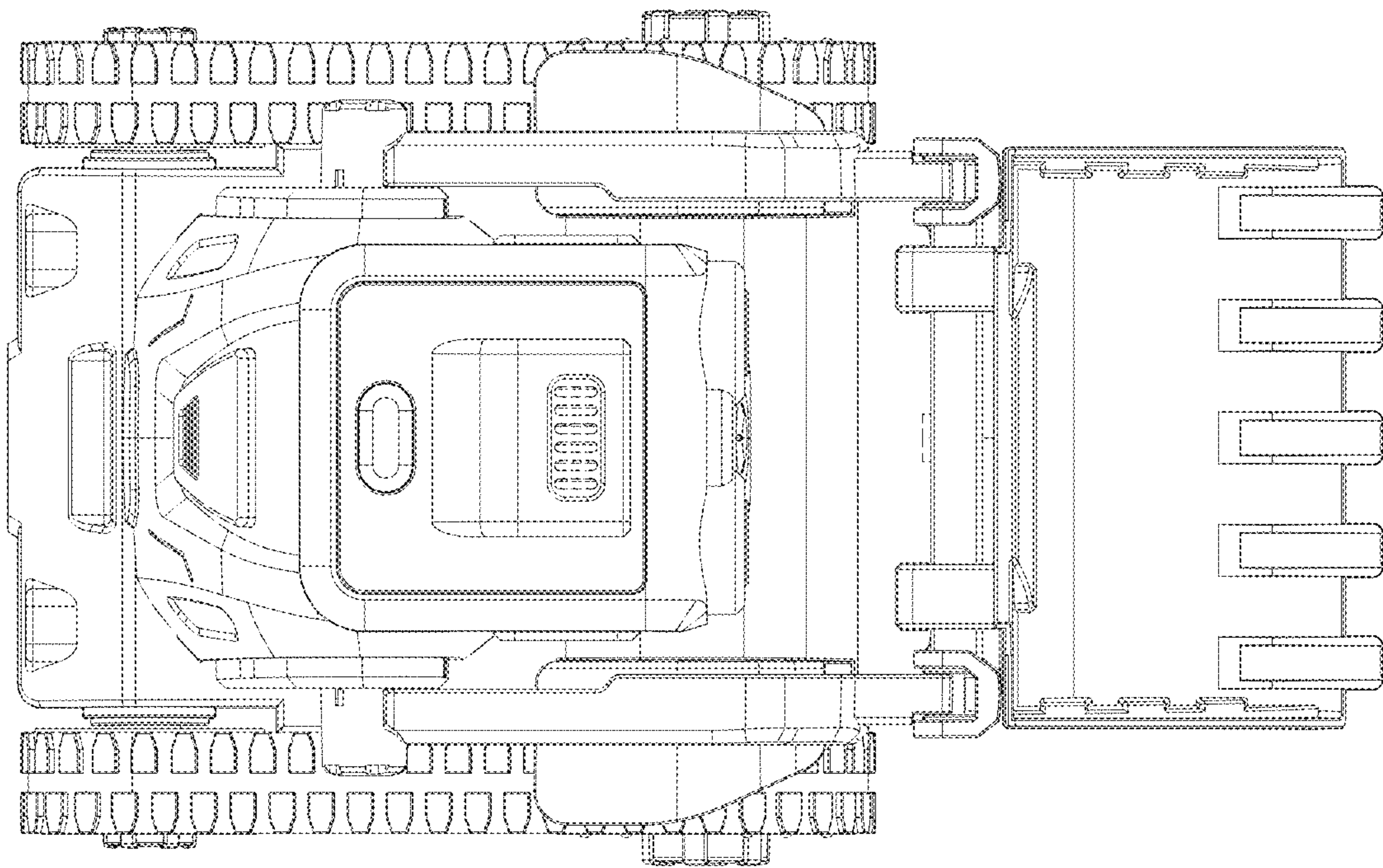


FIG. 3

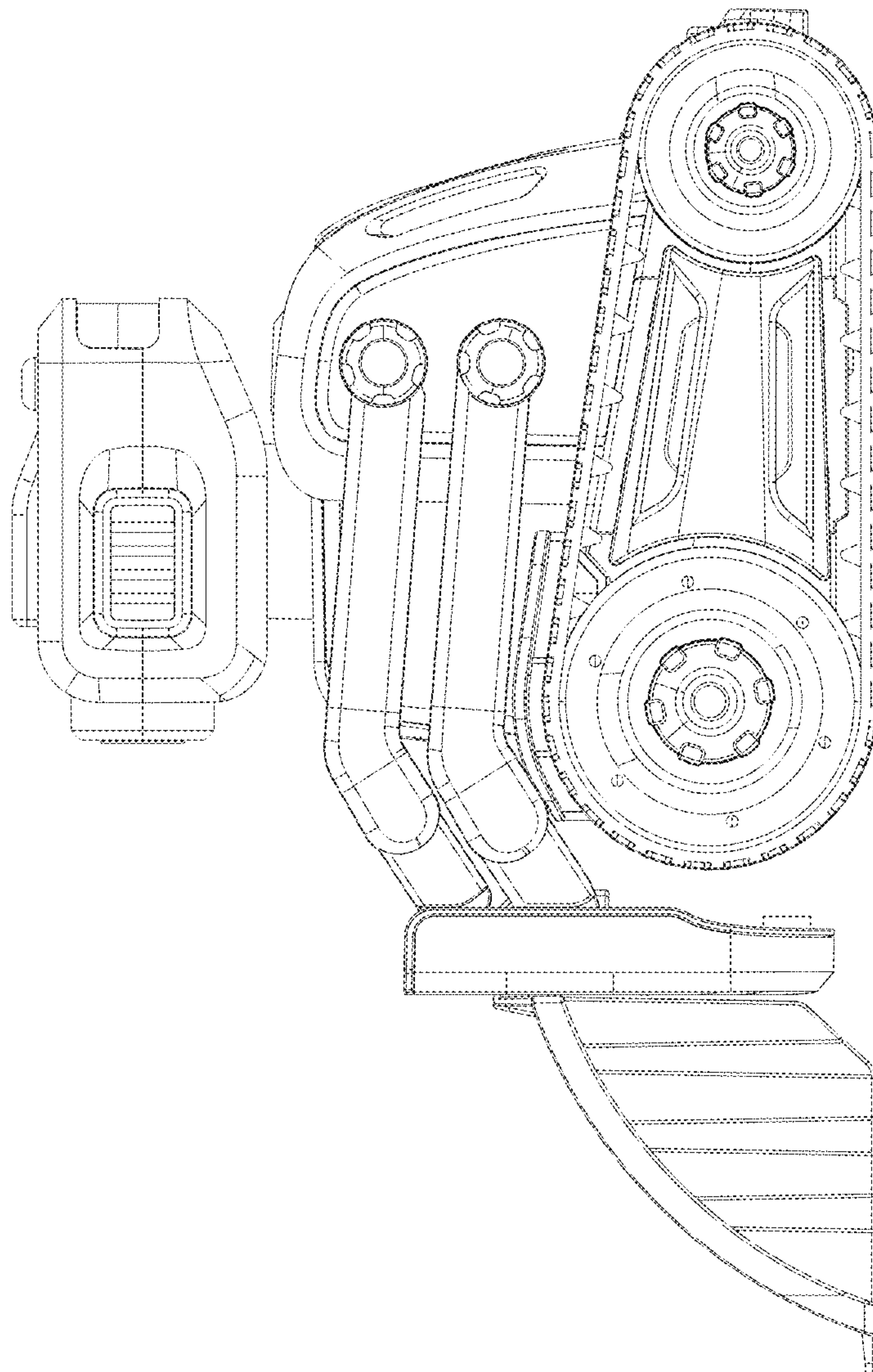


FIG. 4

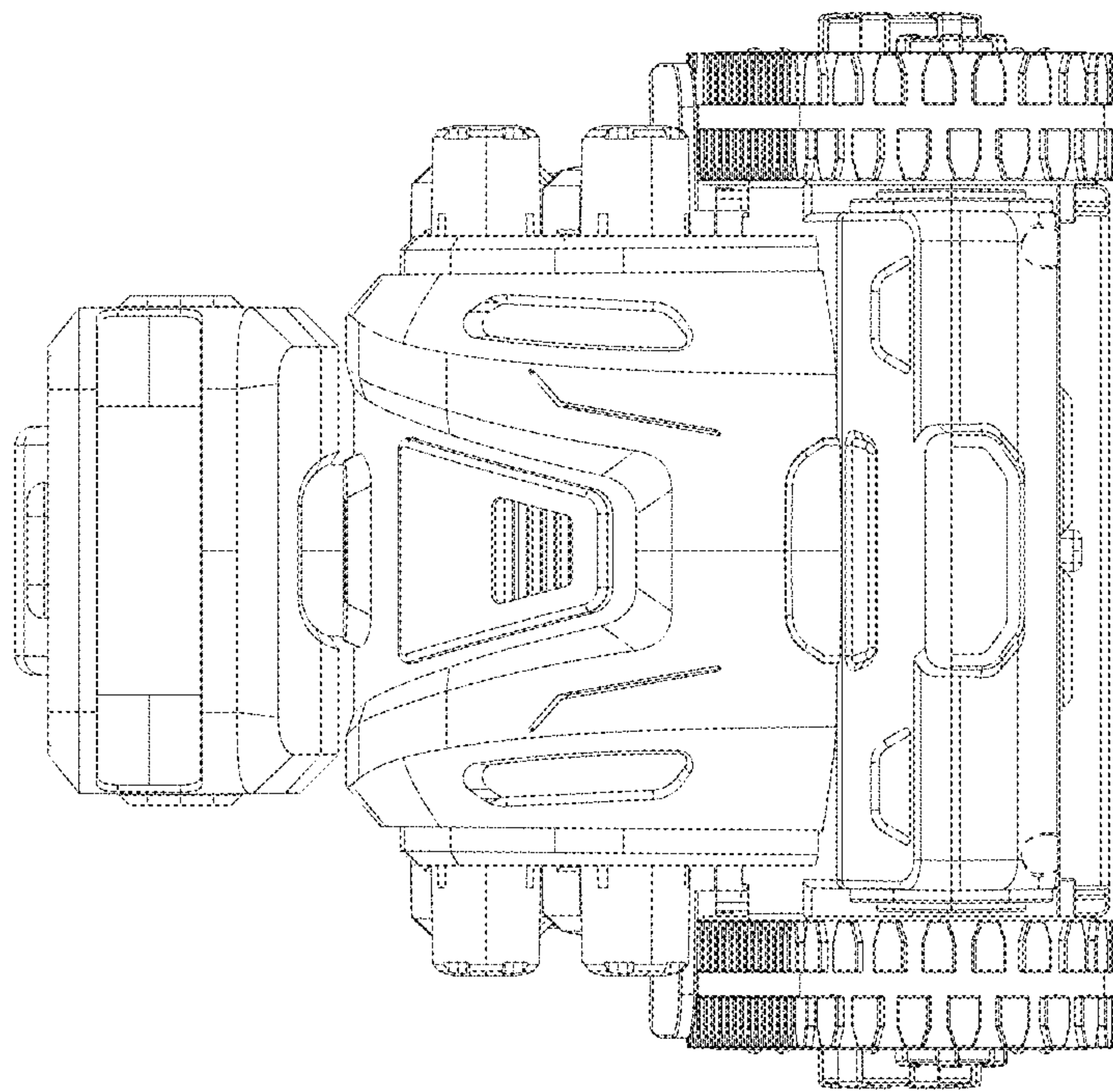


FIG. 5

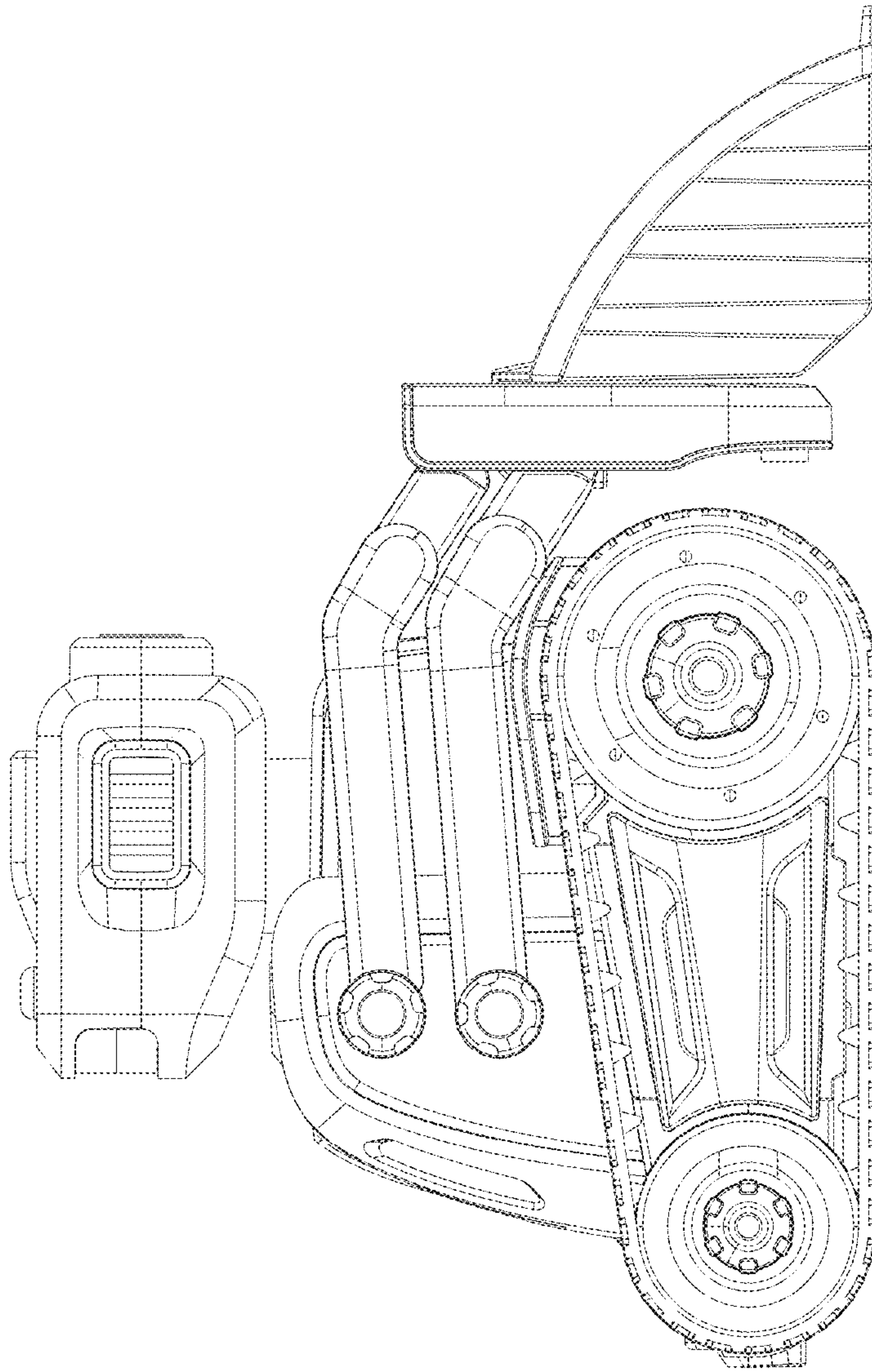


FIG. 6

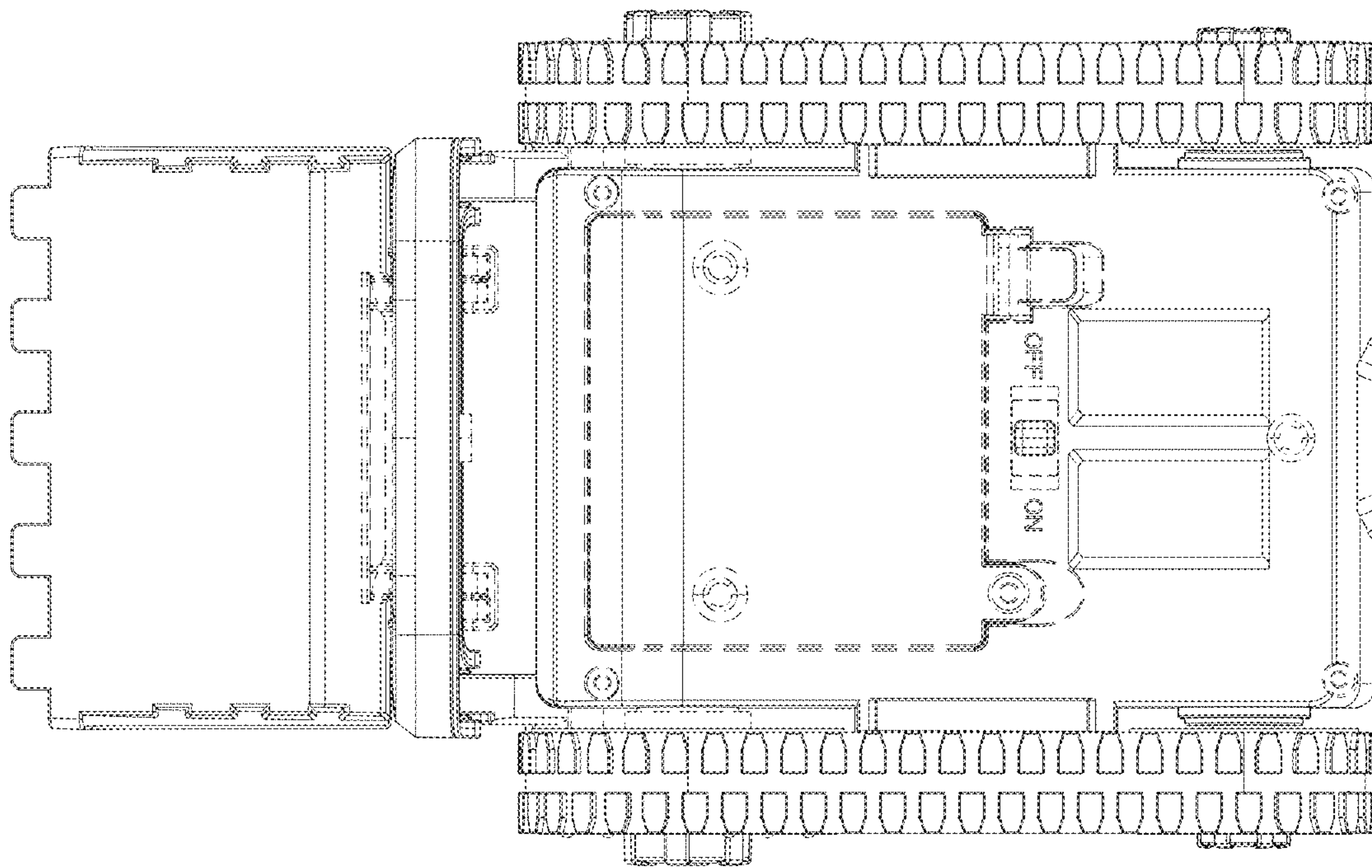


FIG. 7