



US00D978259S

(12) **United States Design Patent**  
**Chen**

(10) **Patent No.:** **US D978,259 S**  
(45) **Date of Patent:** **\*\* Feb. 14, 2023**

(54) **SLIDING PUZZLE**

FOREIGN PATENT DOCUMENTS

(71) Applicant: **Shenzhen Dasam Electric Appliances Co., Ltd.**, Shenzhen (CN)

CN 3517184 \* 4/2006  
CN 306237166 \* 12/2020  
EM 009072358-0001 \* 7/2022

(72) Inventor: **Yong Chen**, Shenzhen (CN)

(\*\*) Term: **15 Years**

OTHER PUBLICATIONS

(21) Appl. No.: **29/844,623**

Amazon Website, Cylinder Puzzle, Earliest comment date: Jul. 4, 2019, [Website Visited on Sep. 16, 2022], Available on the internet URL <https://www.amazon.com/GDAY-Cylinder-Decompression-Education-Anti-Anxiety/dp/B07JDLJBDK/> (Year: 2019).\*

(22) Filed: **Jun. 30, 2022**

(Continued)

(30) **Foreign Application Priority Data**

Dec. 31, 2021 (CN) ..... 202130880784.2

(51) **LOC (14) Cl.** ..... **21-01**

(52) **U.S. Cl.**  
USPC ..... **D21/478**; D21/468

(58) **Field of Classification Search**  
USPC ..... D21/455, 468, 478, 489, 504, 363, 471,  
D21/484, 479, 475, 398, 331, 487, 480,  
D21/392, 393; D19/136, 137, 177;  
D3/201, 316; D9/738, 763, 773, 774  
CPC ..... A63F 9/12; A63F 2009/1228; A63F  
2009/124  
See application file for complete search history.

*Primary Examiner* — S. Bryan Reinholdt, Jr.

*Assistant Examiner* — James T Tyree

(74) *Attorney, Agent, or Firm* — Runit Ranjit Kanakia

(57) **CLAIM**

The ornamental design for a sliding puzzle, as shown and described.

**DESCRIPTION**

FIG. 1 is a first perspective view of a sliding puzzle showing my new design;  
FIG. 2 is a second perspective view thereof;  
FIG. 3 is a front view thereof;  
FIG. 4 is a back view thereof;  
FIG. 5 is a left side view thereof;  
FIG. 6 is a right side view thereof;  
FIG. 7 is a top view thereof;  
FIG. 8 is a bottom view thereof;  
FIG. 9 is a perspective view of another state of the sliding puzzle thereof; and,  
FIG. 10 is a perspective view of another state of the sliding puzzle thereof.  
The broken lines shown in the drawings depict portions of the sliding puzzle that form no part of the claimed design.

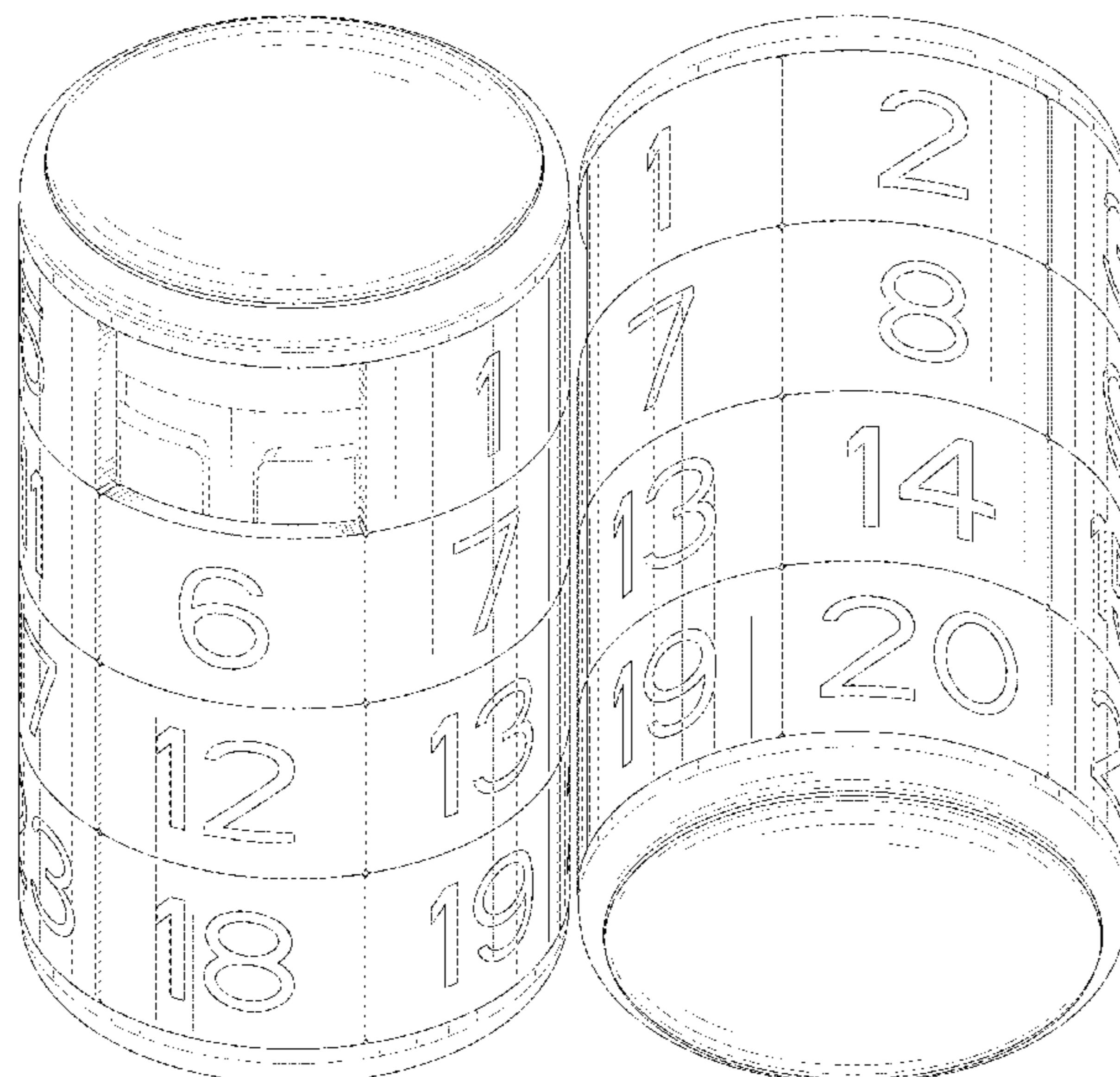
(56) **References Cited**

U.S. PATENT DOCUMENTS

3,704,892 A \* 12/1972 Moravick ..... A63F 9/12  
273/157 R  
4,376,537 A \* 3/1983 Yokoi ..... A63F 9/083  
273/153 S  
D274,074 S \* 5/1984 Brunko ..... D21/478  
5,116,053 A \* 5/1992 Blankenburg ..... A63F 9/0811  
273/153 S  
5,429,364 A \* 7/1995 Chang ..... A63F 9/083  
273/153 S  
5,845,904 A \* 12/1998 Hawkins ..... A63F 9/0811  
273/153 S

(Continued)

**1 Claim, 10 Drawing Sheets**



(56)

**References Cited**

U.S. PATENT DOCUMENTS

D519,166 S \* 4/2006 Chuang ..... D21/479  
D532,834 S \* 11/2006 Chuang ..... D21/478  
7,147,224 B2 \* 12/2006 Chuang ..... A63F 9/083  
273/153 S  
7,311,306 B2 \* 12/2007 Chuang ..... A63F 9/10  
273/153 S  
D729,324 S 5/2015 Wallace  
D739,476 S 9/2015 Linden  
D774,146 S 12/2016 Stoyanov  
2003/0173738 A1 \* 9/2003 Simmons ..... A63F 9/001  
273/153 S  
2006/0175752 A1 \* 8/2006 Chuang ..... A63F 9/083  
273/153 S  
2007/0164514 A1 \* 7/2007 Chuang ..... A63F 9/10  
273/157 R  
2016/0151719 A1 \* 6/2016 Pijanowski ..... A63F 9/12  
446/71

OTHER PUBLICATIONS

Amazon Website, Handheld Magnetic Number & Equation Game,  
Earliest comment date: Feb. 15, 2015, [Website Visited on Sep. 16,  
2022], Available on the internet URL [https://www.amazon.com/  
Geospace-Math-Spin-Magnetic-Travel/dp/B0009VRSO6/](https://www.amazon.com/Geospace-Math-Spin-Magnetic-Travel/dp/B0009VRSO6/) (Year:  
2015).\*

\* cited by examiner

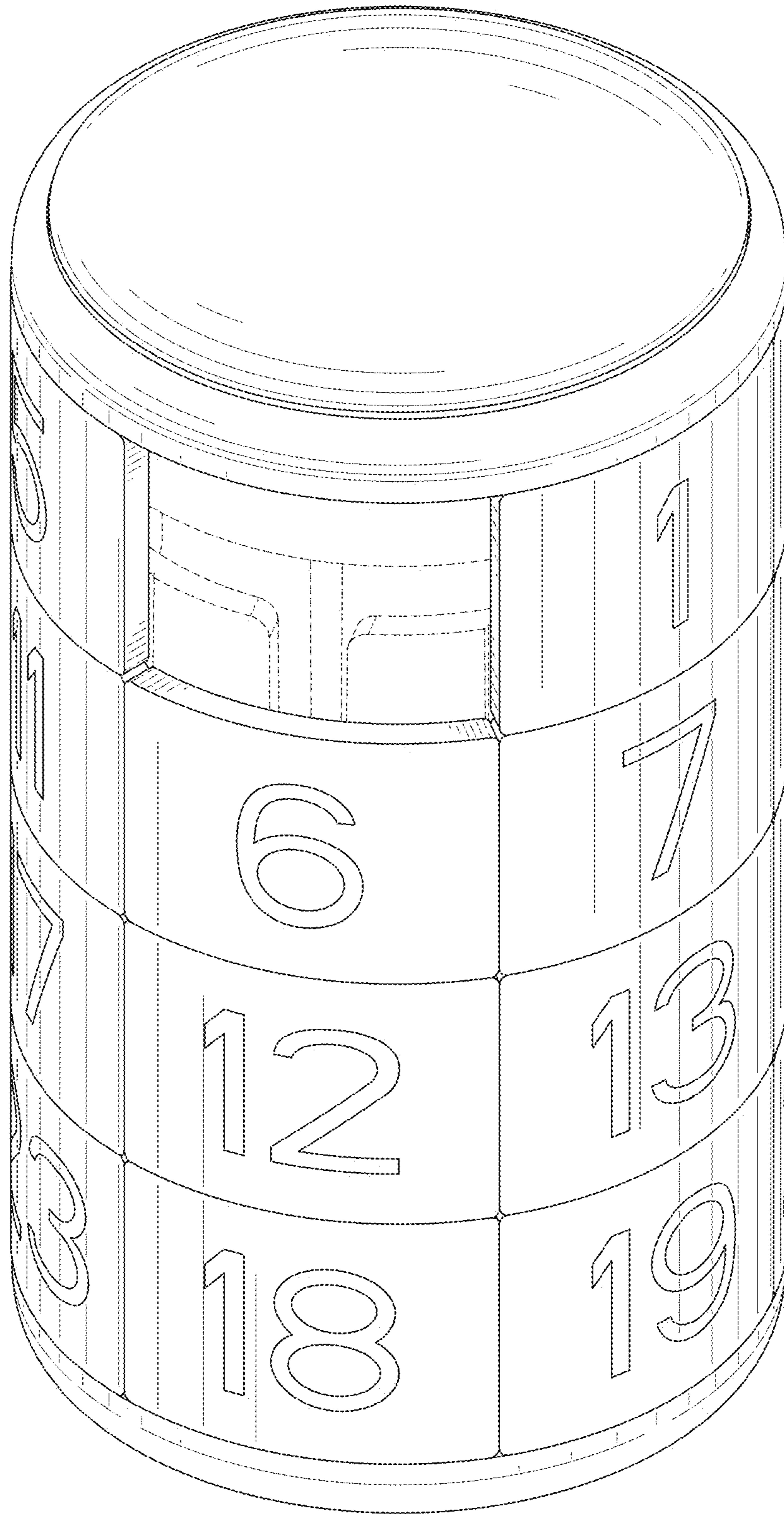


FIG. 1



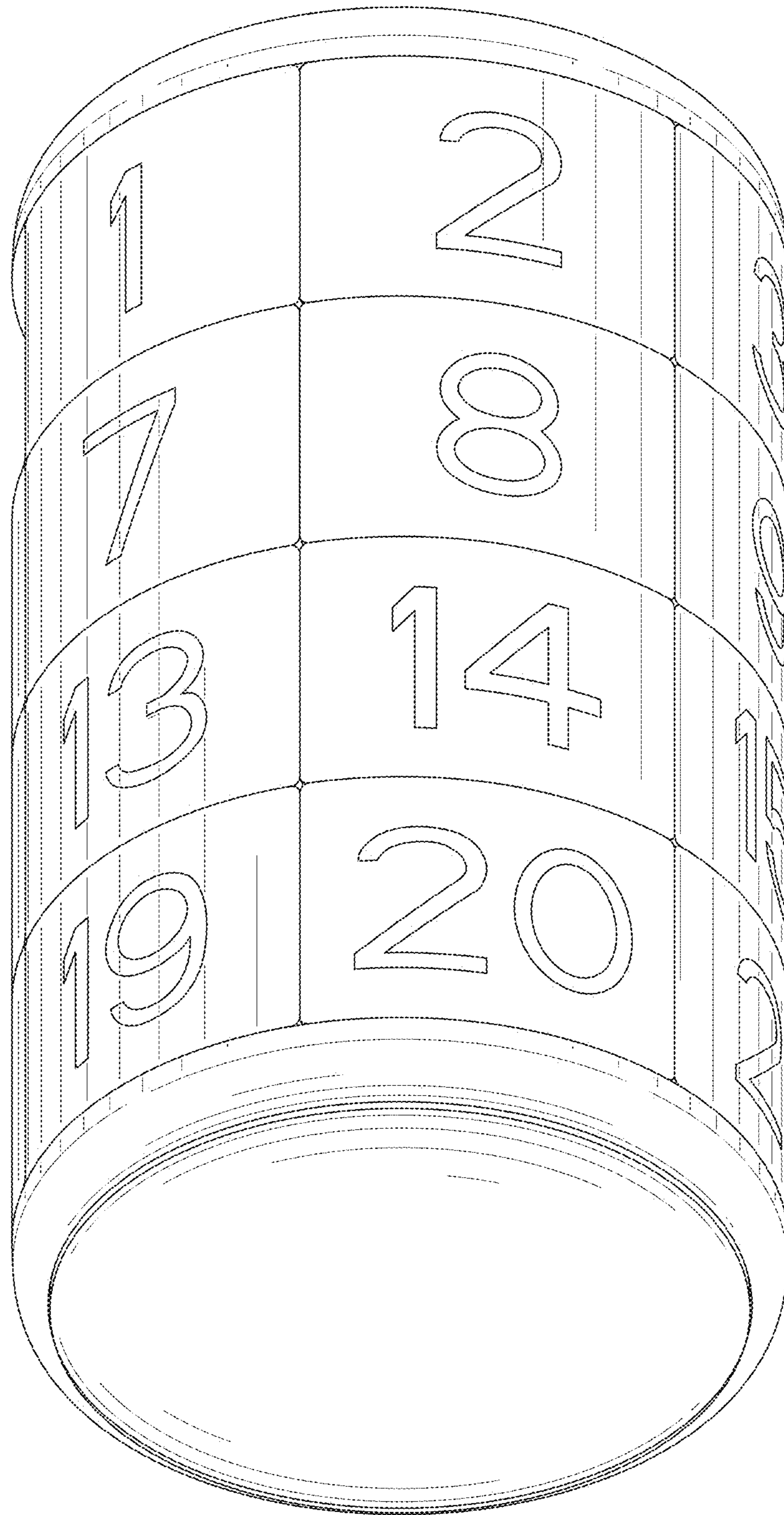


FIG. 2

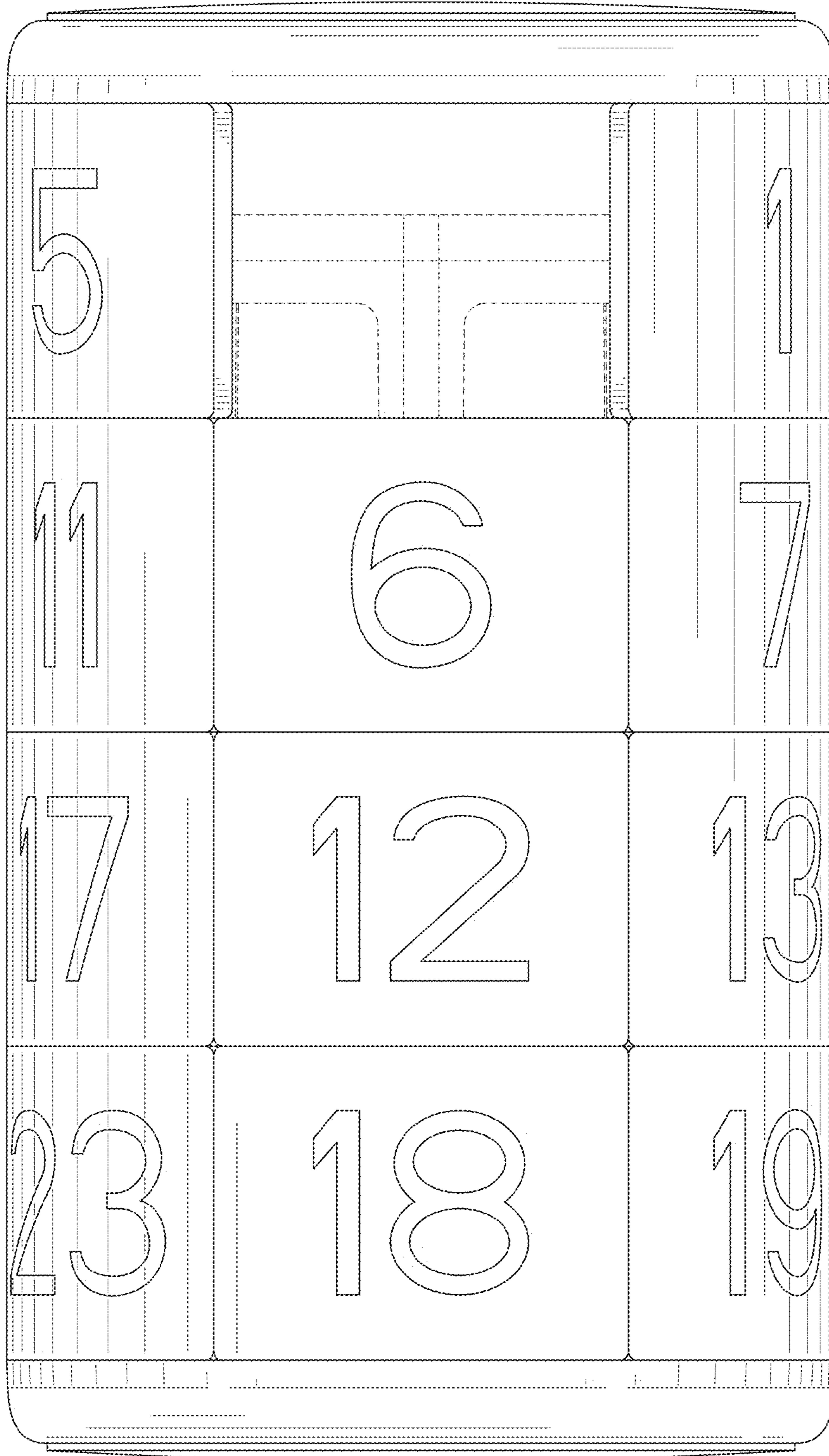


FIG. 3

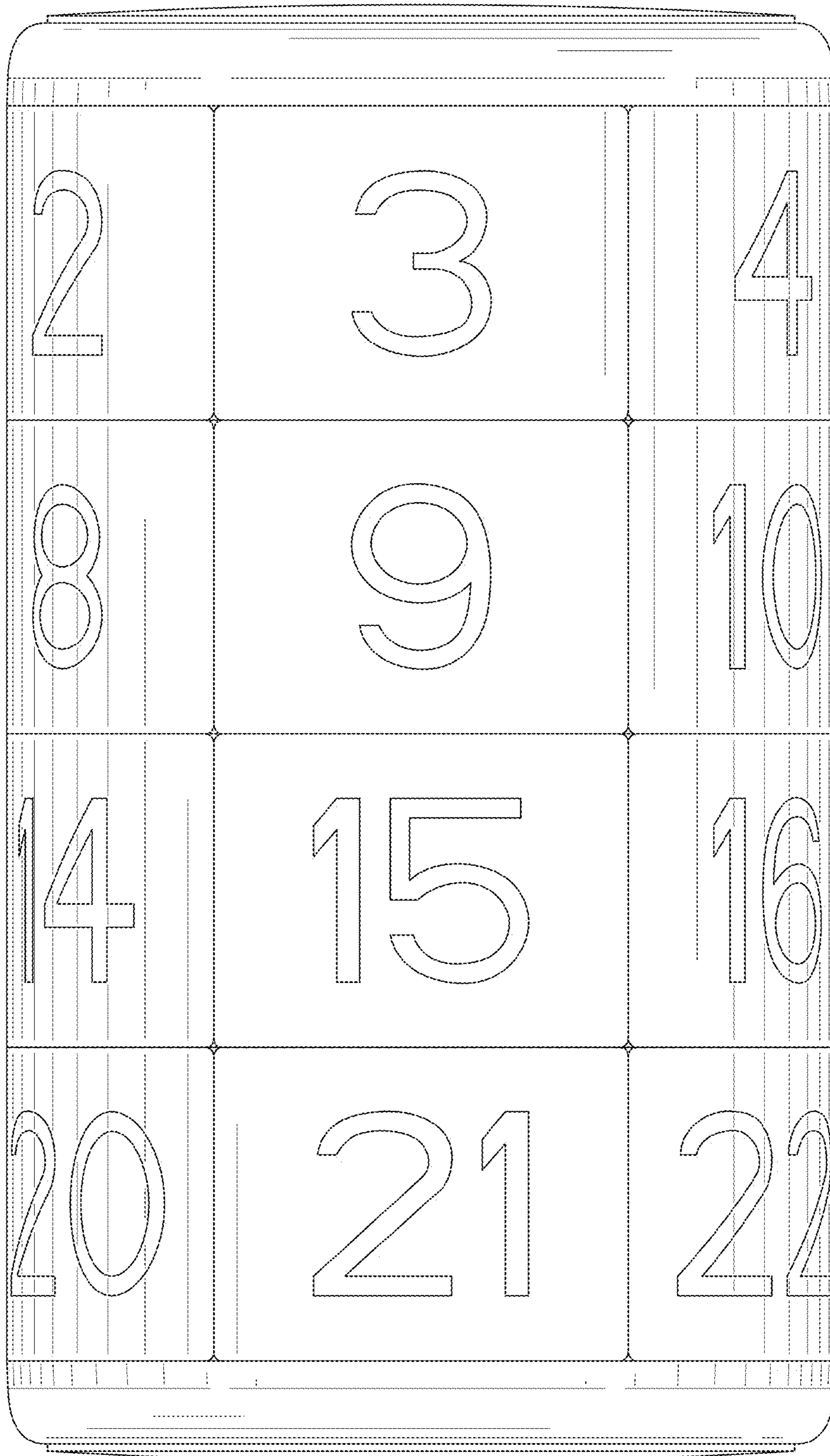


FIG. 4



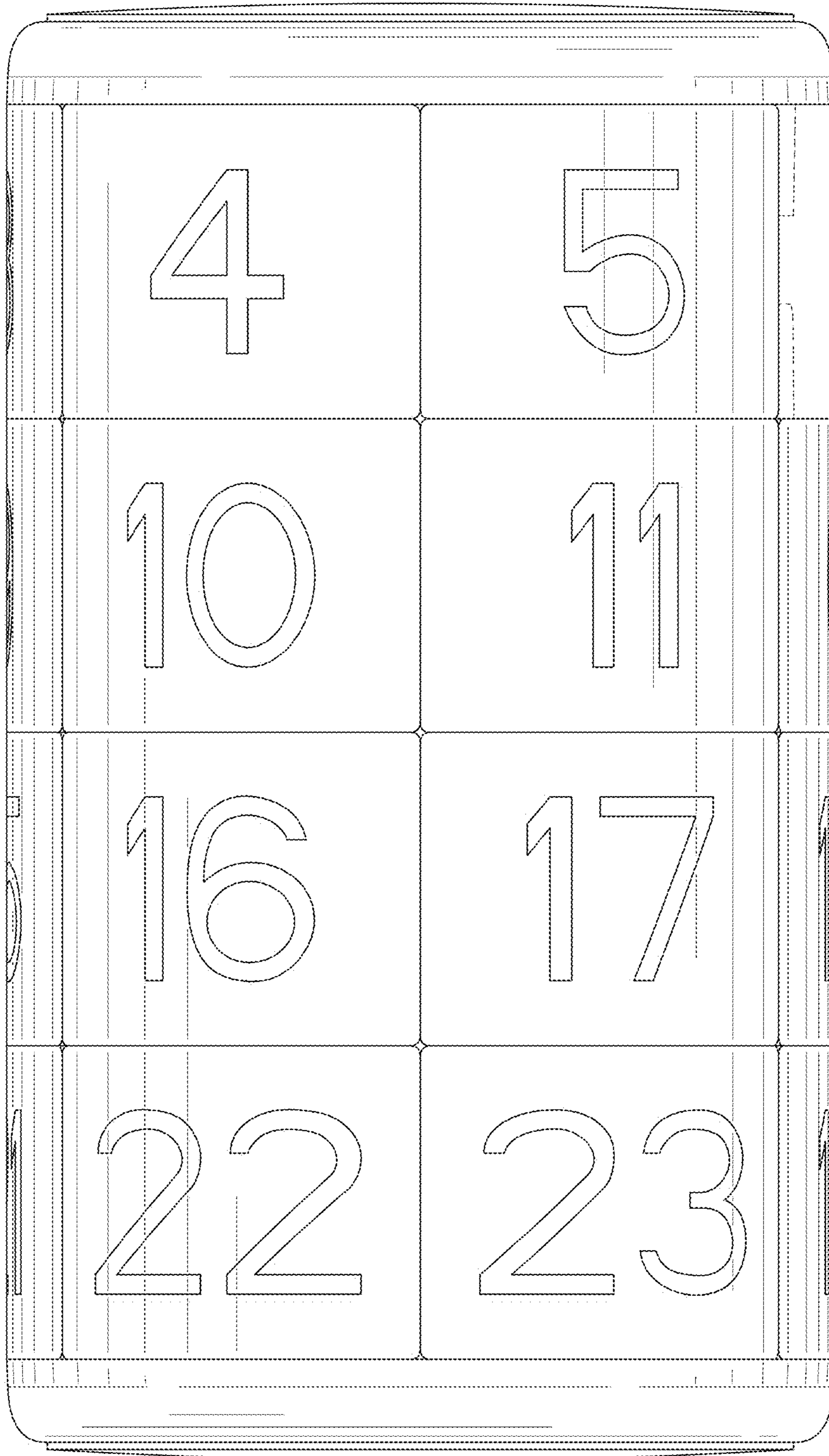


FIG. 5

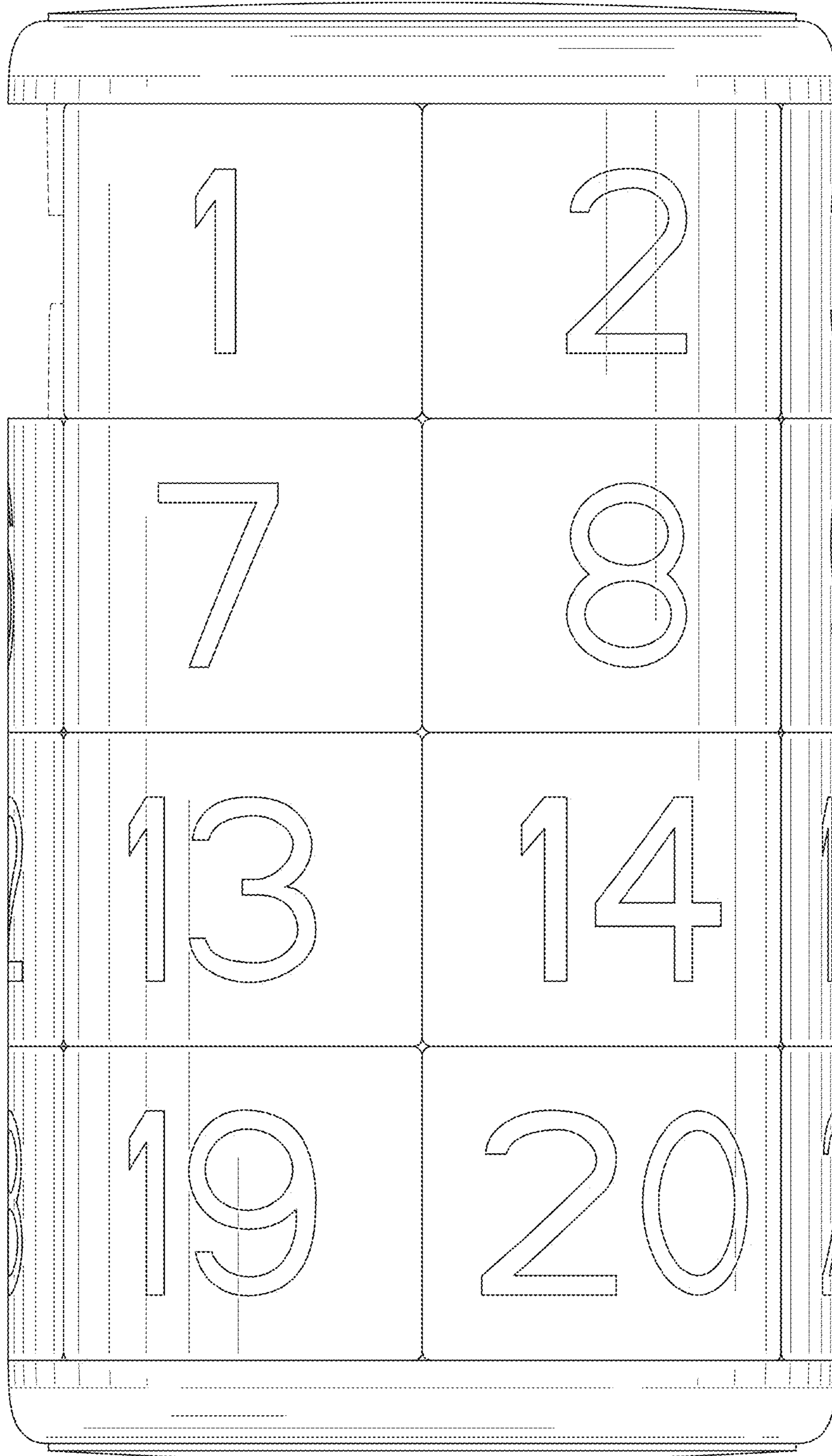


FIG. 6



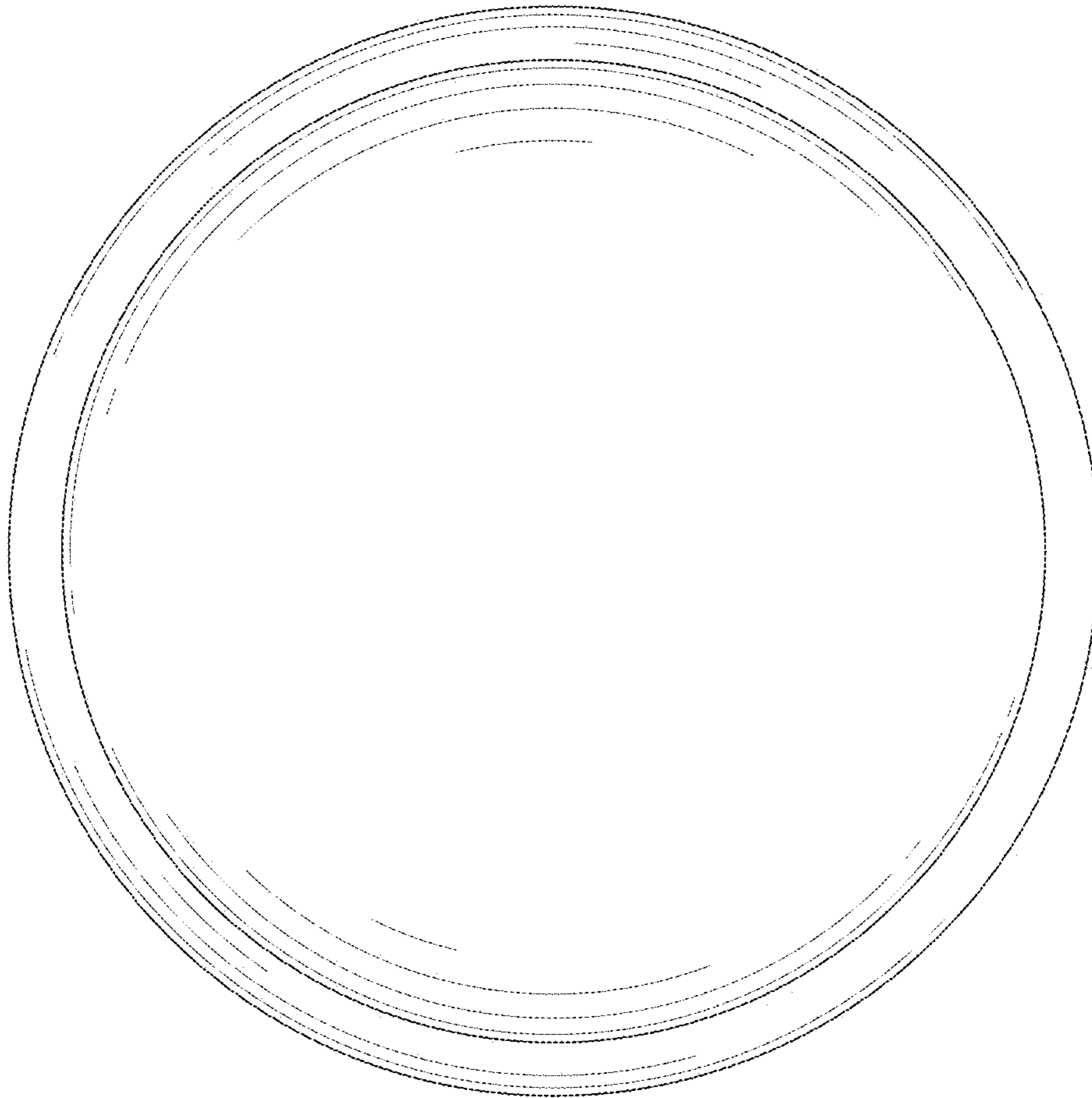


FIG. 7

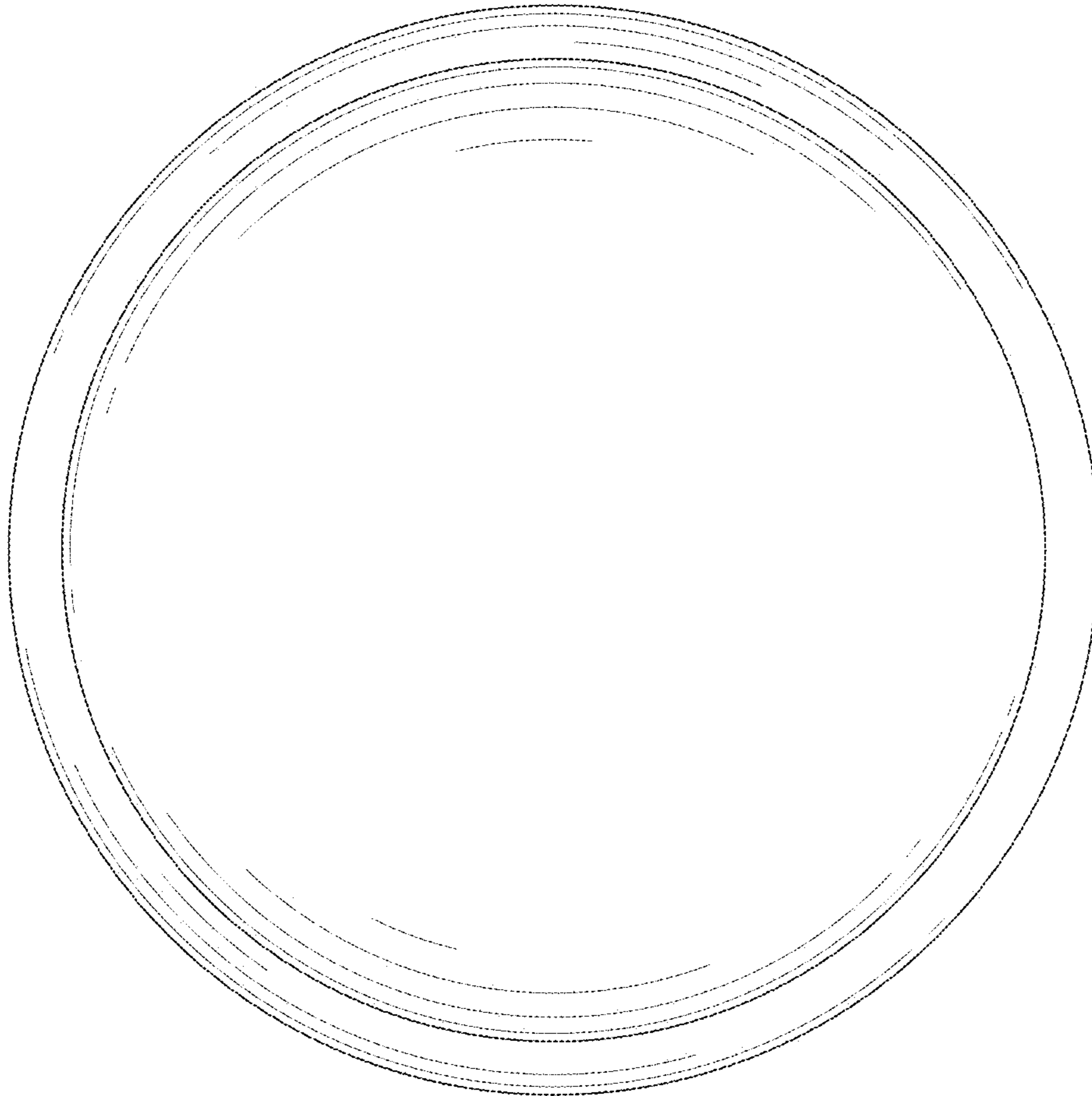


FIG. 8

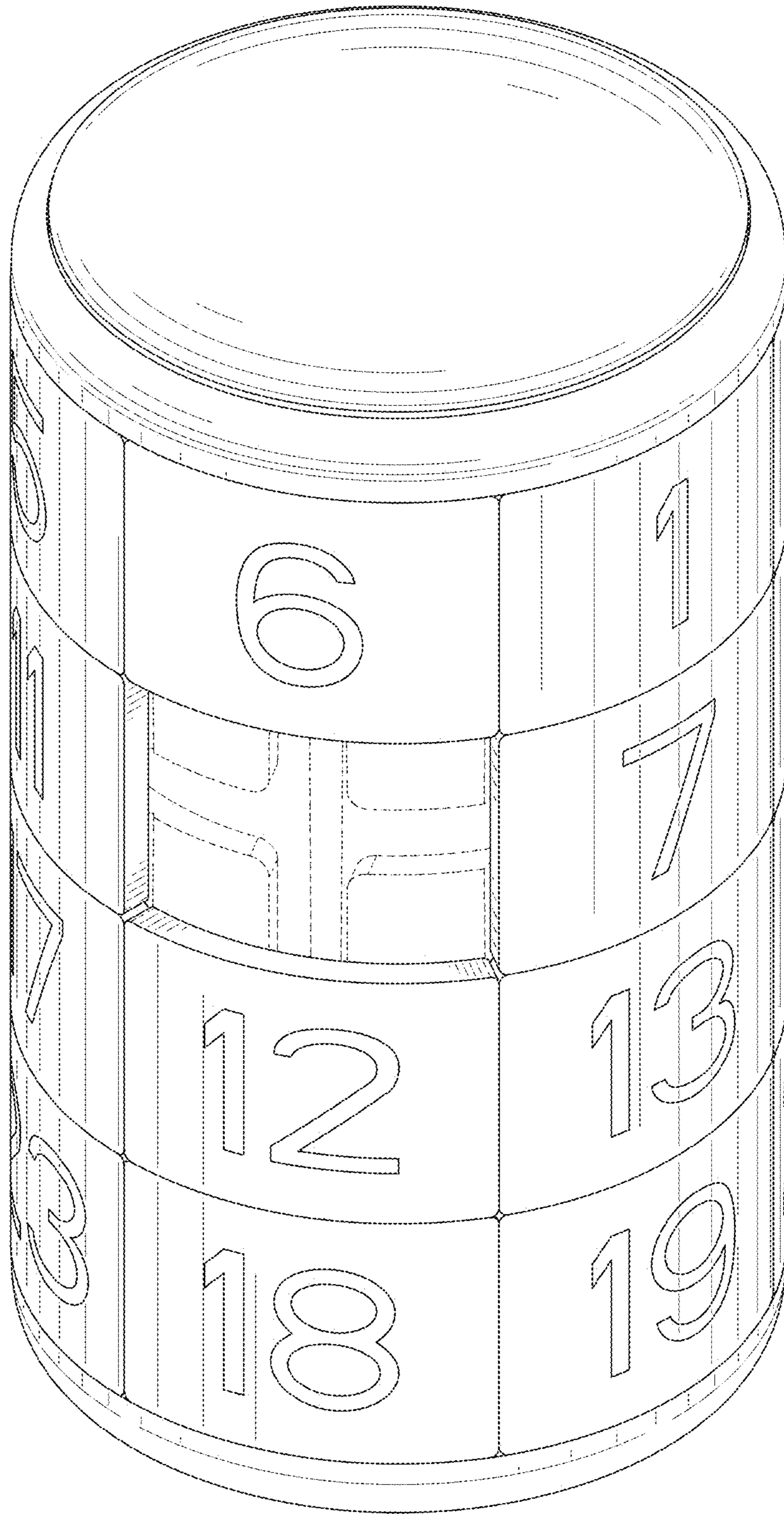


FIG. 9



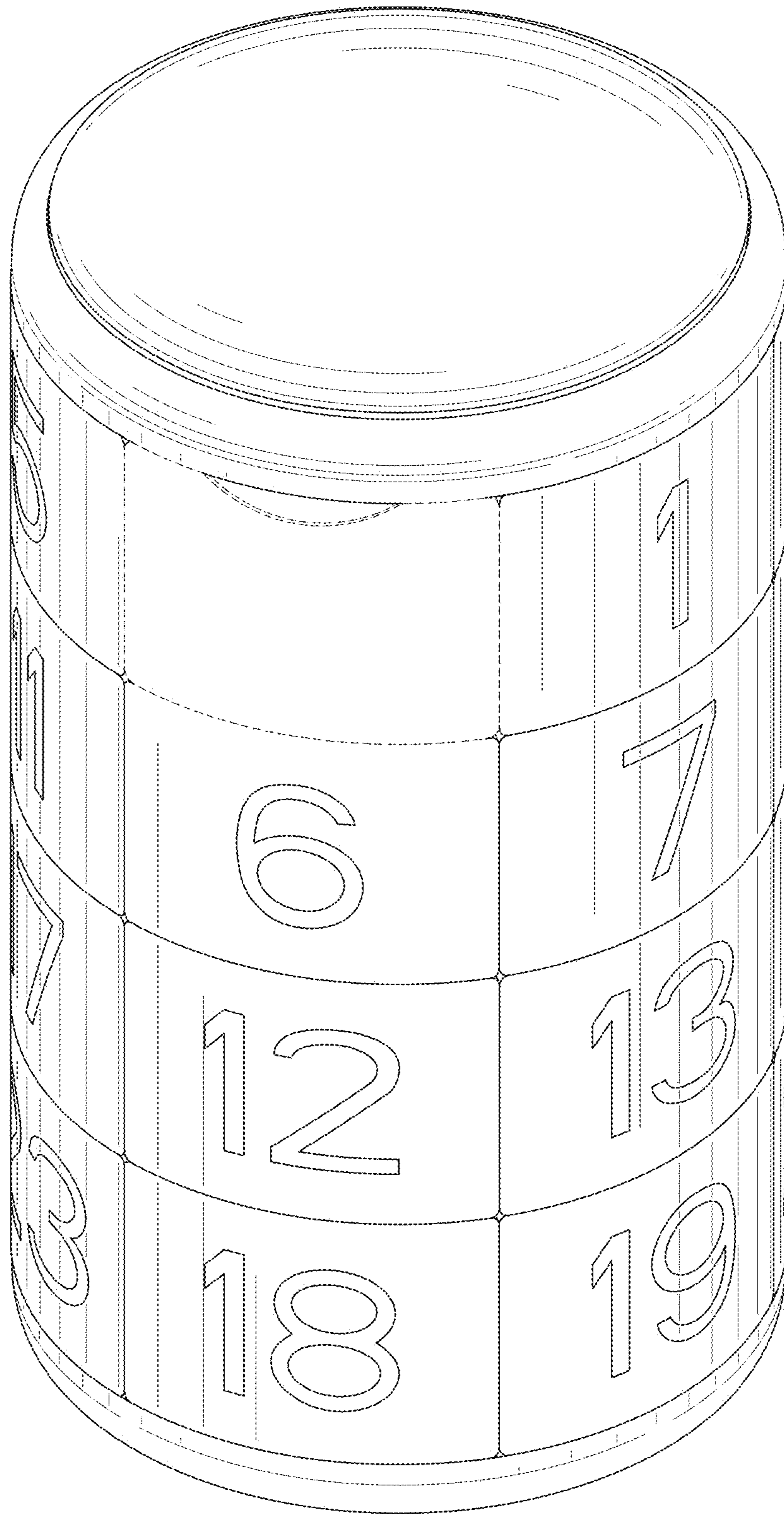


FIG. 10