



US00D978257S

(12) **United States Design Patent**  
**McGowan**

(10) **Patent No.:** **US D978,257 S**

(45) **Date of Patent:** **\*\* Feb. 14, 2023**

(54) **TOY VEHICLE**

(71) Applicant: **Yvolve Sports Ltd.**, Dublin (IE)

(72) Inventor: **John McGowan**, Balbriggan (IE)

(73) Assignee: **YVOLVE SPORTS LTD.**, Dublin (IE)

(\*\*) Term: **15 Years**

(21) Appl. No.: **29/755,569**

(22) Filed: **Oct. 21, 2020**

(51) **LOC (14) Cl.** ..... **21-01**

(52) **U.S. Cl.**  
USPC ..... **D21/424**

(58) **Field of Classification Search**  
USPC ..... D21/419, 424, 427, 428, 431, 433, 434,  
D21/477, 483, 495, 533, 537, 539, 548,  
D21/549, 550-554, 556-562; D12/12,  
D12/19, 82, 83, 84, 85, 86, 87, 88, 90,  
D12/91, 93, 163, 167  
CPC ..... A63H 17/26; A63H 33/28; A63G 19/00;  
A63G 19/02; A63G 19/04; A63G 13/00;  
A63G 13/10  
See application file for complete search history.

(56) **References Cited**

**U.S. PATENT DOCUMENTS**

- 2,473,295 A \* 6/1949 O'Connor ..... A63G 19/00  
D12/108
- D215,108 S \* 9/1969 Cohn ..... A47L 11/22  
D21/428
- D250,851 S \* 1/1979 Nakao ..... D21/428
- D257,375 S \* 10/1980 Nottingham ..... A63H 17/00  
D21/428
- D400,952 S \* 11/1998 Jensen ..... D21/428
- D424,126 S \* 5/2000 Goes ..... D21/419
- D444,825 S \* 7/2001 Child ..... D21/428
- D449,861 S \* 10/2001 Chiapetta ..... D21/433
- D578,579 S \* 10/2008 Seckel ..... D21/428

- D587,322 S \* 2/2009 Child ..... D21/427
- D638,885 S \* 5/2011 Herlitz ..... D21/419
- D652,085 S \* 1/2012 Van Der Merwe ..... D21/427

(Continued)

**FOREIGN PATENT DOCUMENTS**

- CA 2762892 A1 \* 6/2012 ..... B62K 9/00
- EM 002383455-0010 \* 1/2014

(Continued)

**OTHER PUBLICATIONS**

“Prince Lionheart Wheely Ride-On Toy for Kids,” Oct. 15, 2010, amazon.com, site visited Jan. 28, 2022, URL: <https://www.amazon.com/Prince-Lionheart-Wheely-Mouse-Small/dp/B002OFUJ2S/> (Year: 2010).\*

(Continued)

*Primary Examiner* — Eric L Goodman  
*Assistant Examiner* — Sarah L Smith

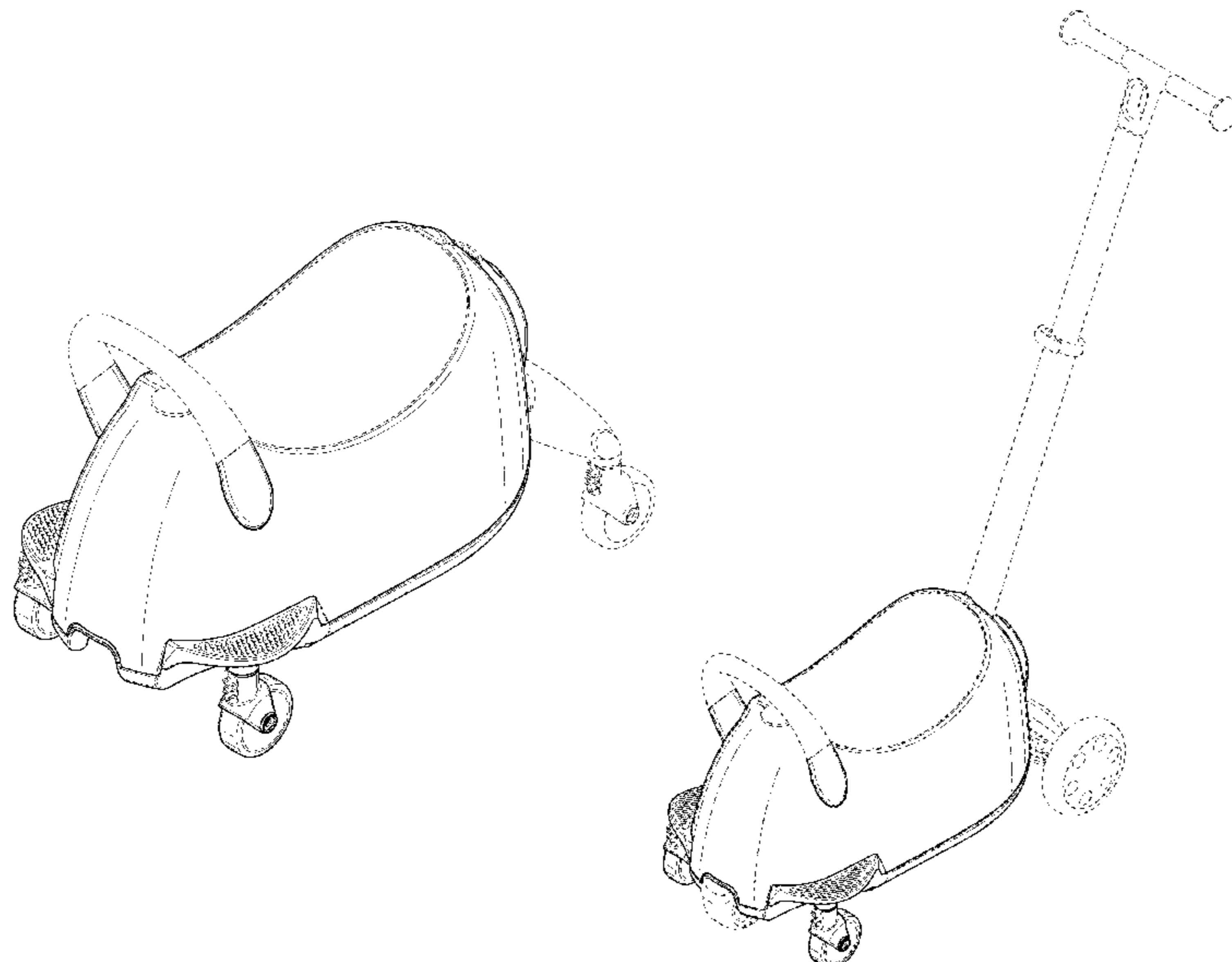
(57) **CLAIM**

The ornamental design for a toy vehicle, as shown and described.

**DESCRIPTION**

FIG. 1 is a perspective view from above, to the front and to the left side of the new design for a toy vehicle;  
FIG. 2 is a front view thereof;  
FIG. 3 is a rear view thereof;  
FIG. 4 is a left side view thereof;  
FIG. 5 is a right side view thereof;  
FIG. 6 is a top plan view thereof;  
FIG. 7 is a bottom plan view thereof; and,  
FIG. 8 is a perspective view from above, to the front and to the left side thereof, optionally modified to mount a scooter. In the drawings, the broken lines are for the purpose of illustrating portions of the article that form no part of the claim.

**1 Claim, 8 Drawing Sheets**



(56)

References Cited

OTHER PUBLICATIONS

U.S. PATENT DOCUMENTS

D652,456	S	*	1/2012	Child	.....	D21/654
D662,555	S	*	6/2012	Badanjo	.....	D21/424
D708,679	S	*	7/2014	Badanjo	.....	D21/424
D711,971	S	*	8/2014	Child	.....	D21/428
D724,674	S	*	3/2015	Child	.....	D21/428
D725,196	S	*	3/2015	Child	.....	D21/426
D795,966	S	*	8/2017	Lee	.....	D21/424
D877,815	S	*	3/2020	Aslan	.....	D21/426
D878,480	S	*	3/2020	De Roeck	.....	D21/426
D889,559	S	*	7/2020	Child	.....	D21/618
D889,560	S	*	7/2020	Child	.....	D21/611
D912,737	S	*	3/2021	Bao	.....	D21/424
2002/0094744	A1	*	7/2002	Cheng	.....	A63H 17/00 446/15
2006/0292966	A1	*	12/2006	Byers	.....	B60G 3/20 446/431
2014/0217685	A1	*	8/2014	Byrne	.....	B62K 13/00 280/7.15
2021/0339155	A1	*	11/2021	Reitano	.....	A47L 11/22

FOREIGN PATENT DOCUMENTS

EM	005138658-0001	*	4/2018
EM	005217510-0001	*	7/2018
KR	300866968.0000	*	8/2016

“Chillafish Trackie,” Aug. 9, 2020, [instagram.com](https://www.instagram.com/p/CDqoc6RHrLj/), site visited Jan. 27, 2022, URL: <https://www.instagram.com/p/CDqoc6RHrLj/> (Year: 2020).\*

“Chillafish,” May 29, 2020, [instagram.com](https://www.instagram.com/p/CAXd9xrAt2d/), site visited Jan. 2022, URL: <https://www.instagram.com/p/CAXd9xrAt2d/> (Year: 2020).\*

“Wiggle Car Ride On Toy,” Oct. 1, 2020, [amazon.com](https://www.amazon.com/Ride-Toy-Wiggle-Lil-Rider/dp/B00I0NXLI2?th=1), site visited Jan. 28, 2022, URL: <https://www.amazon.com/Ride-Toy-Wiggle-Lil-Rider/dp/B00I0NXLI2?th=1> (Year: 2020).\*

“Globber Product Family Scooters With Seat”, Web page <<https://www.globber.com/product-family/scooters-with-seat>>, 2019, retrieved Jan. 22, 2021.

“Micro Mobility EN Products Mini2go Deluxe Plus Blue”, Web page <<https://www.micro-mobility.com/en/products/mini2go-deluxe-plus-blue>>, 2019, retrieved Jan. 22, 2021.

“Micro Scooters IE Mini Micro 3in1 Deluxe Push Along Scooter Blue”, Web page <<https://www.micro-scooters.ie/mini-micro-3in1-deluxe-push-along-scooter-blue.html>>, 2019, retrieved Jan. 22, 2021.

“Scootandride At Highwaykick1 Details”, Web page <<https://www.scootandride.at/highwaykick1-details?lang=en>>, 2019, retrieved Jan. 22, 2021.

“Yvolution US EN YV Y-glider-3-in-1 Kids Scooter”, Web page <[https://www.yvolution.com/us\\_en\\_yv/y-glider-3-in-1-kids-scooter.html](https://www.yvolution.com/us_en_yv/y-glider-3-in-1-kids-scooter.html)>, 2019, retrieved Jan. 22, 2021.

\* cited by examiner

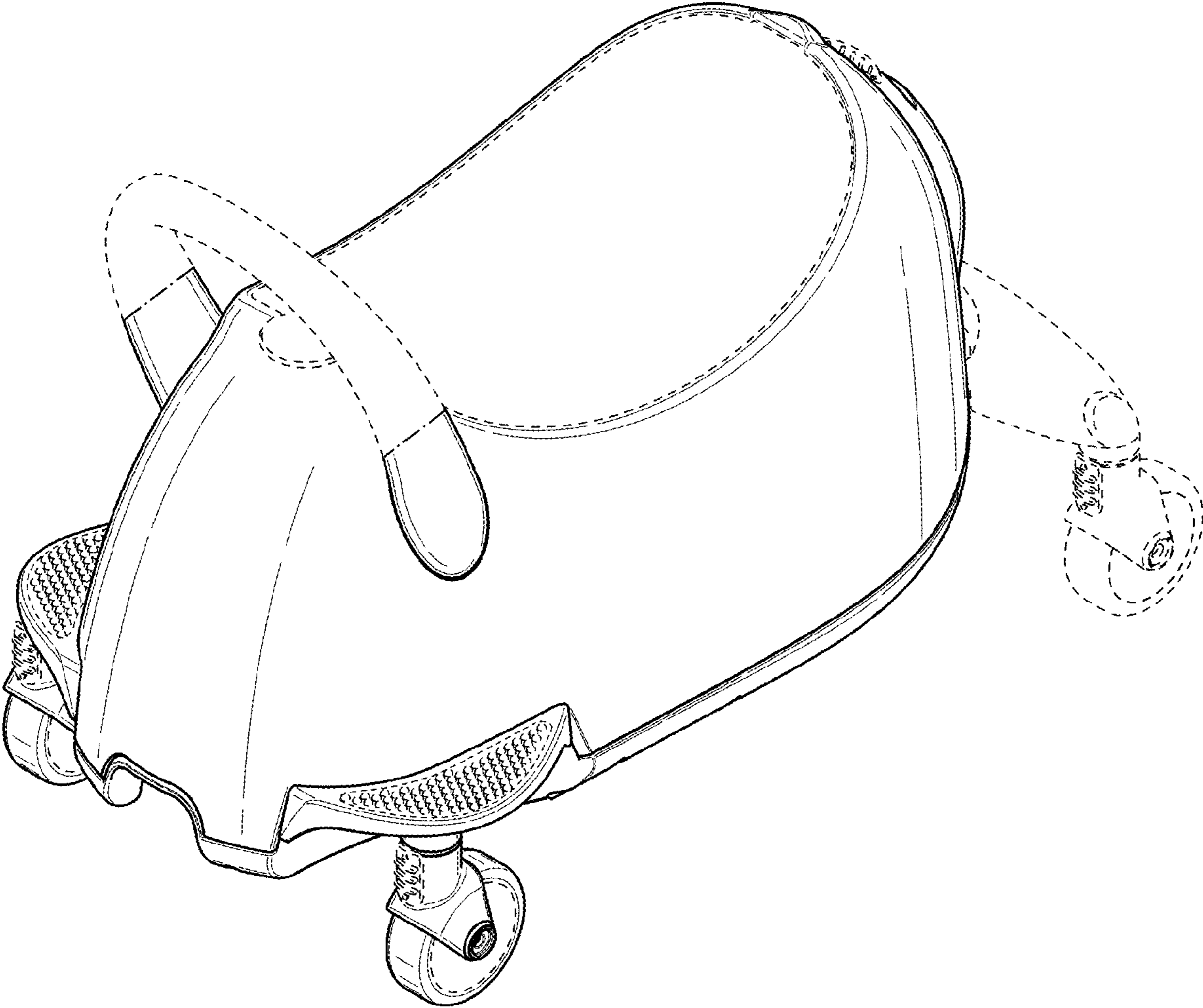


FIG. 1

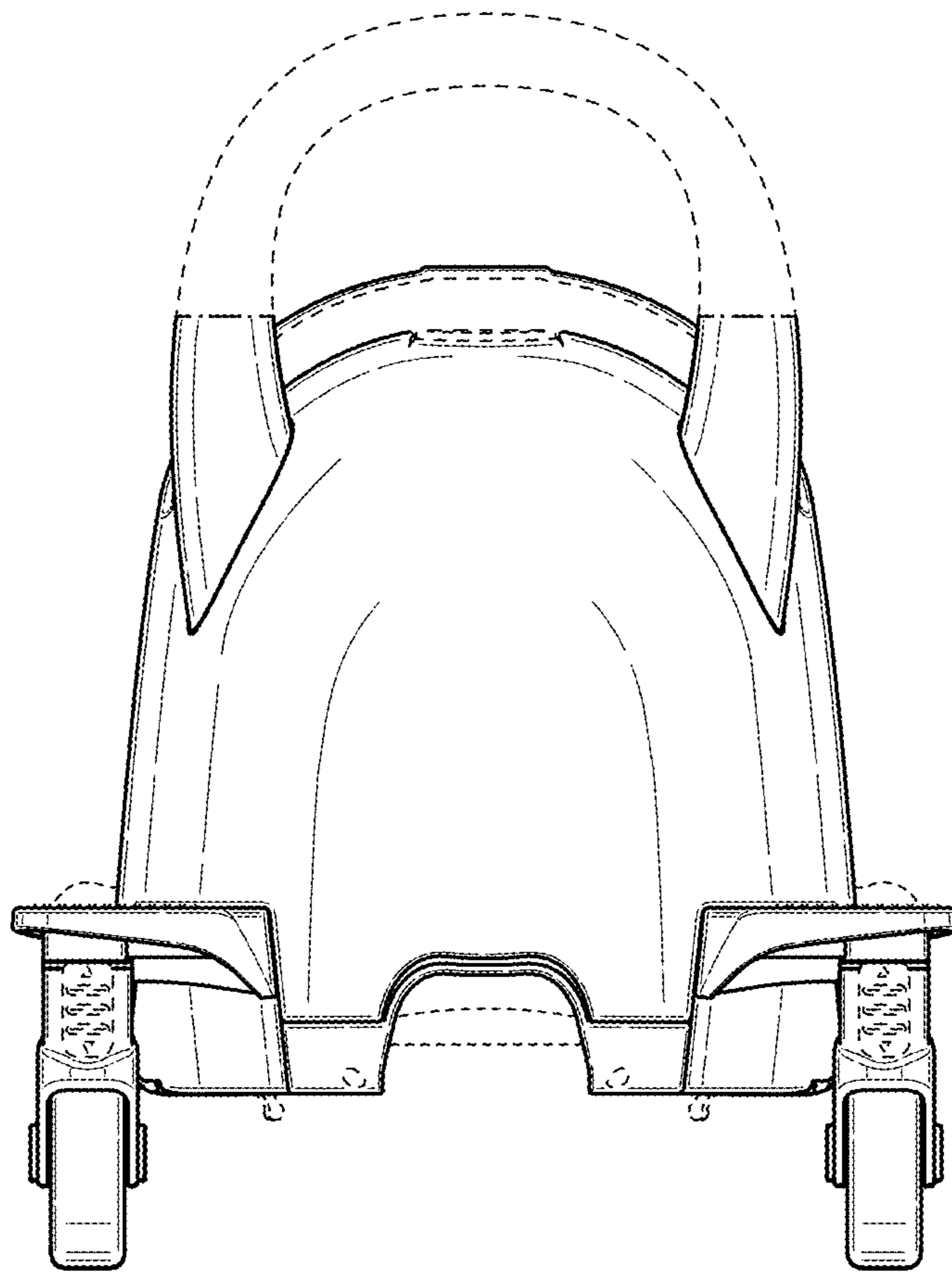
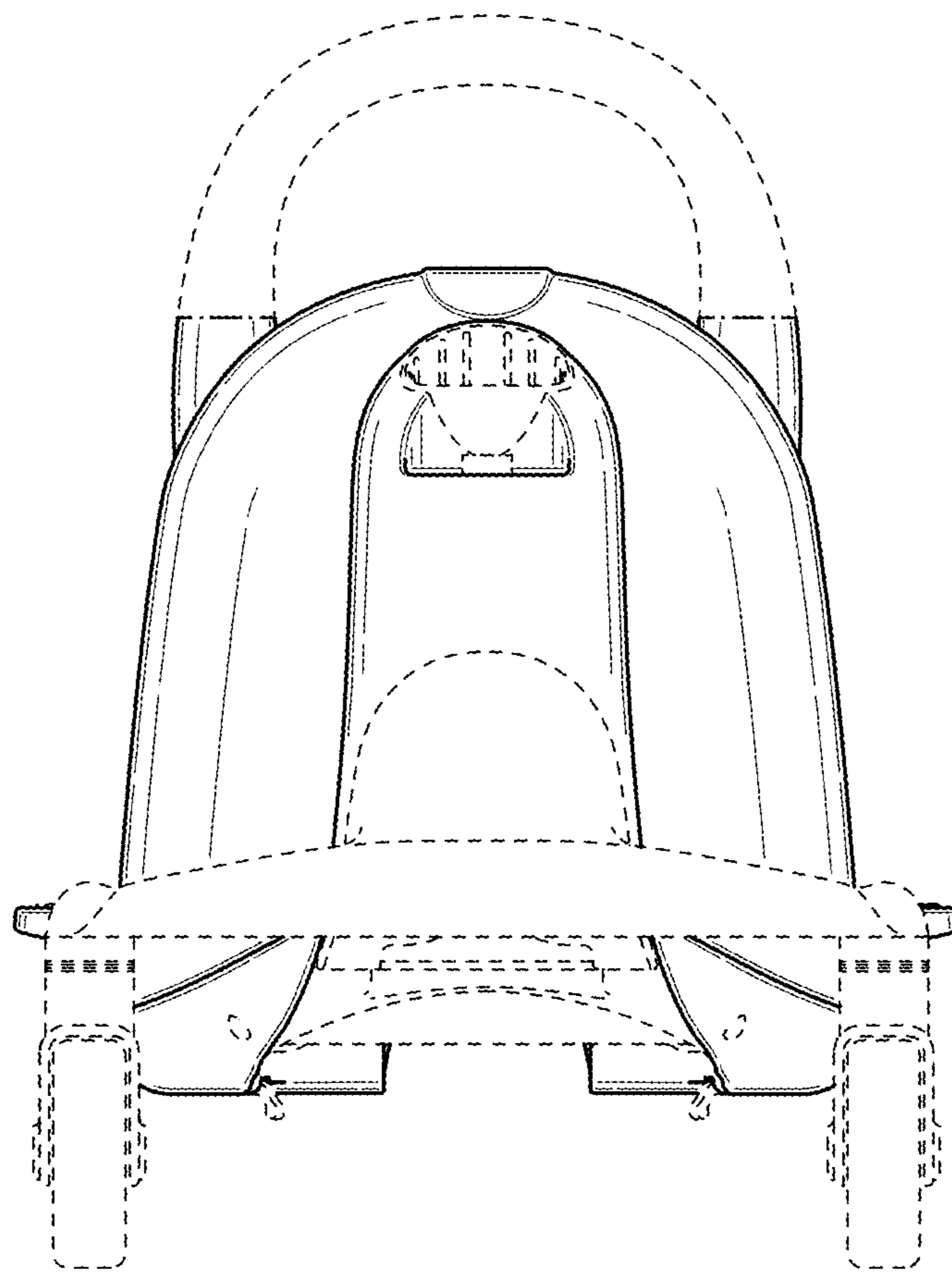


FIG. 2



**FIG. 3**

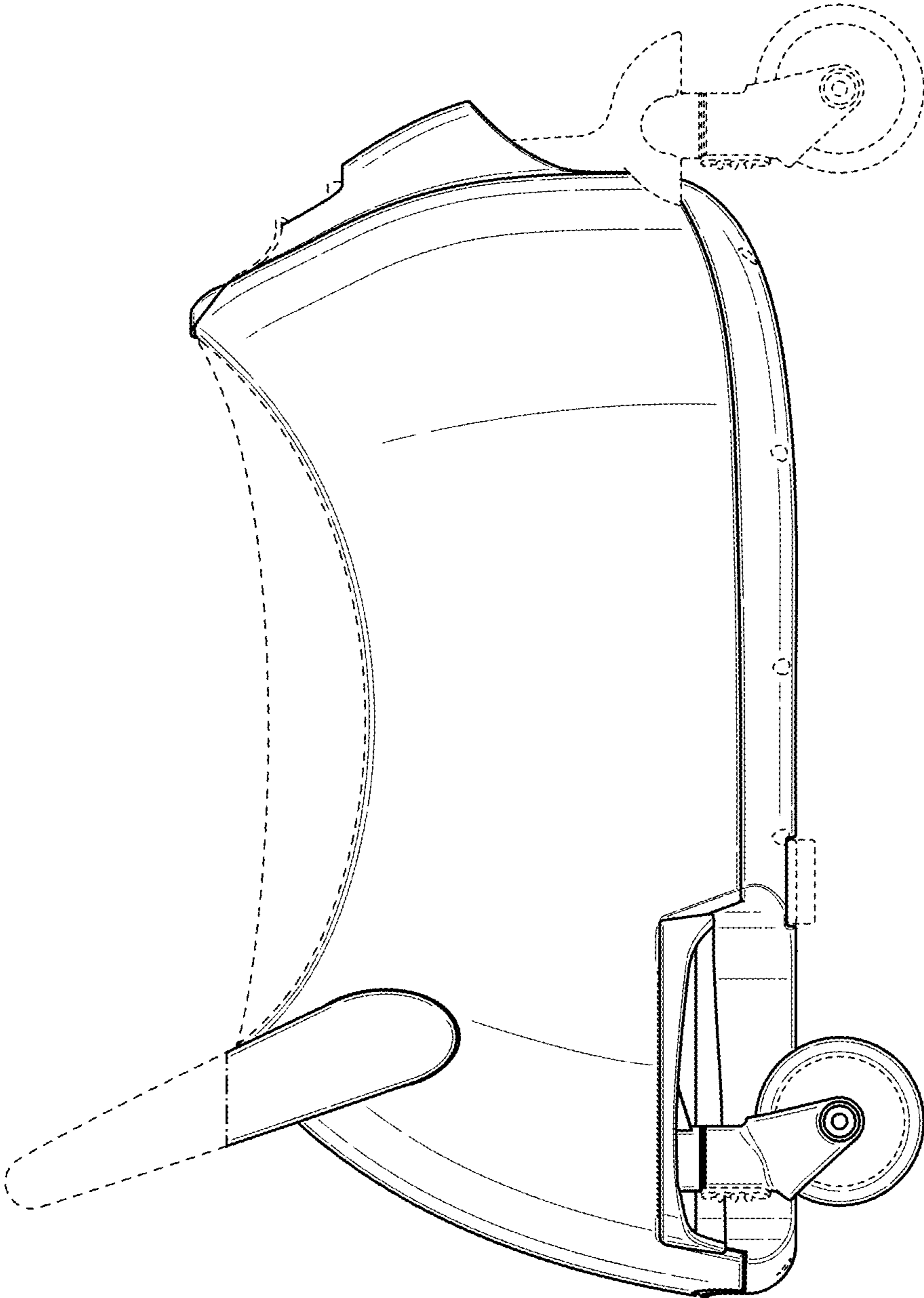


FIG. 4

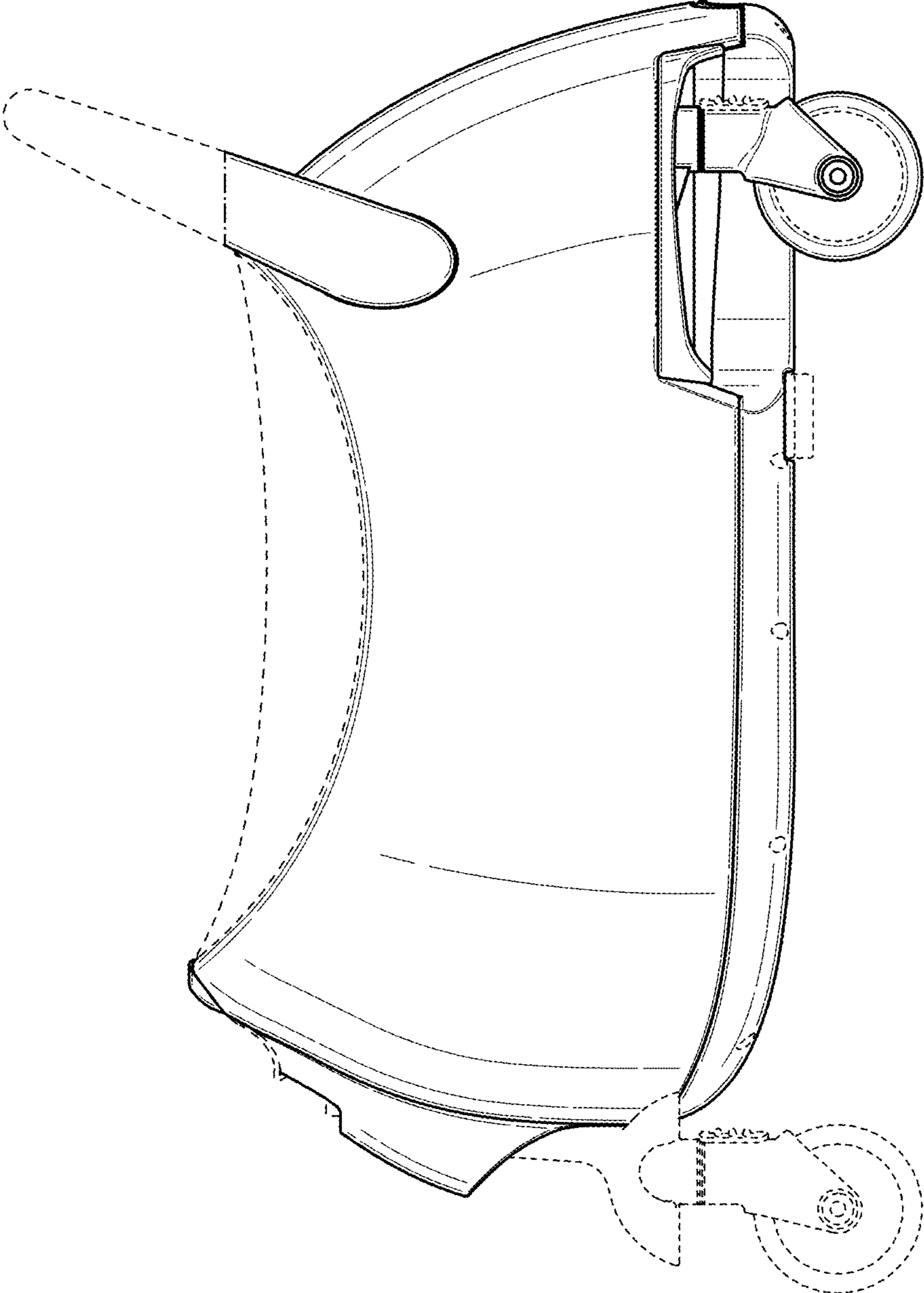


FIG. 5

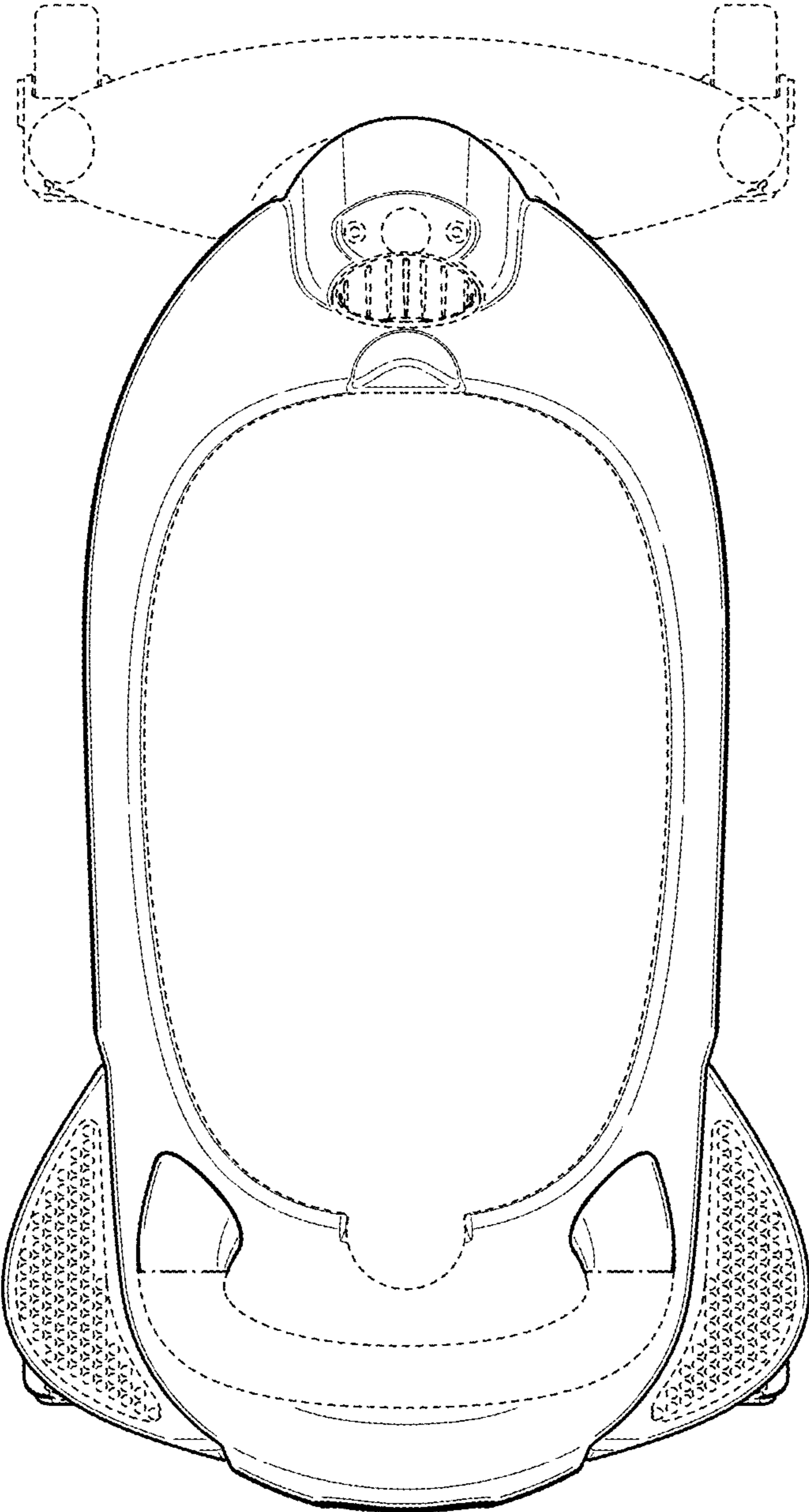


FIG. 6



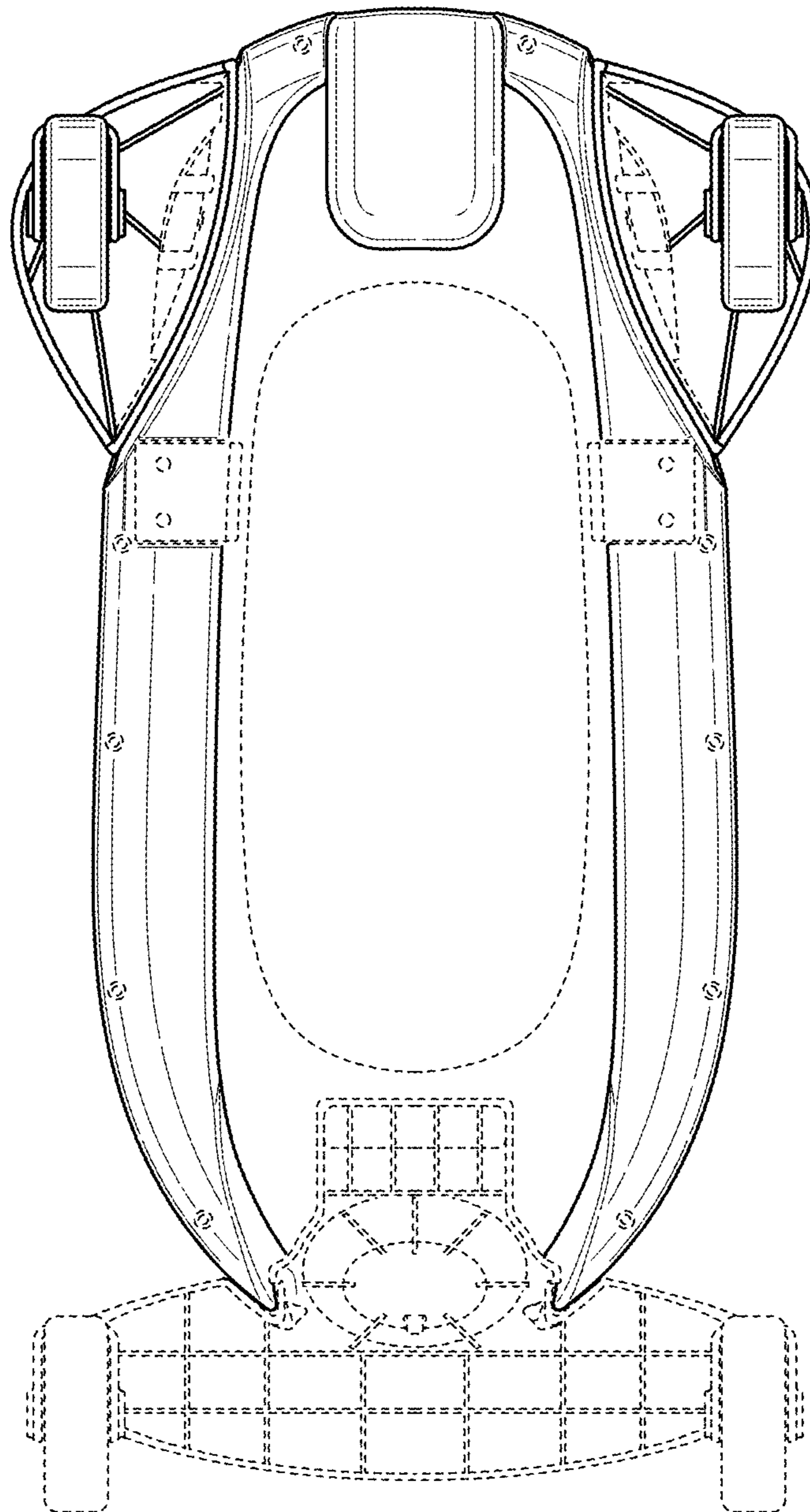


FIG. 7

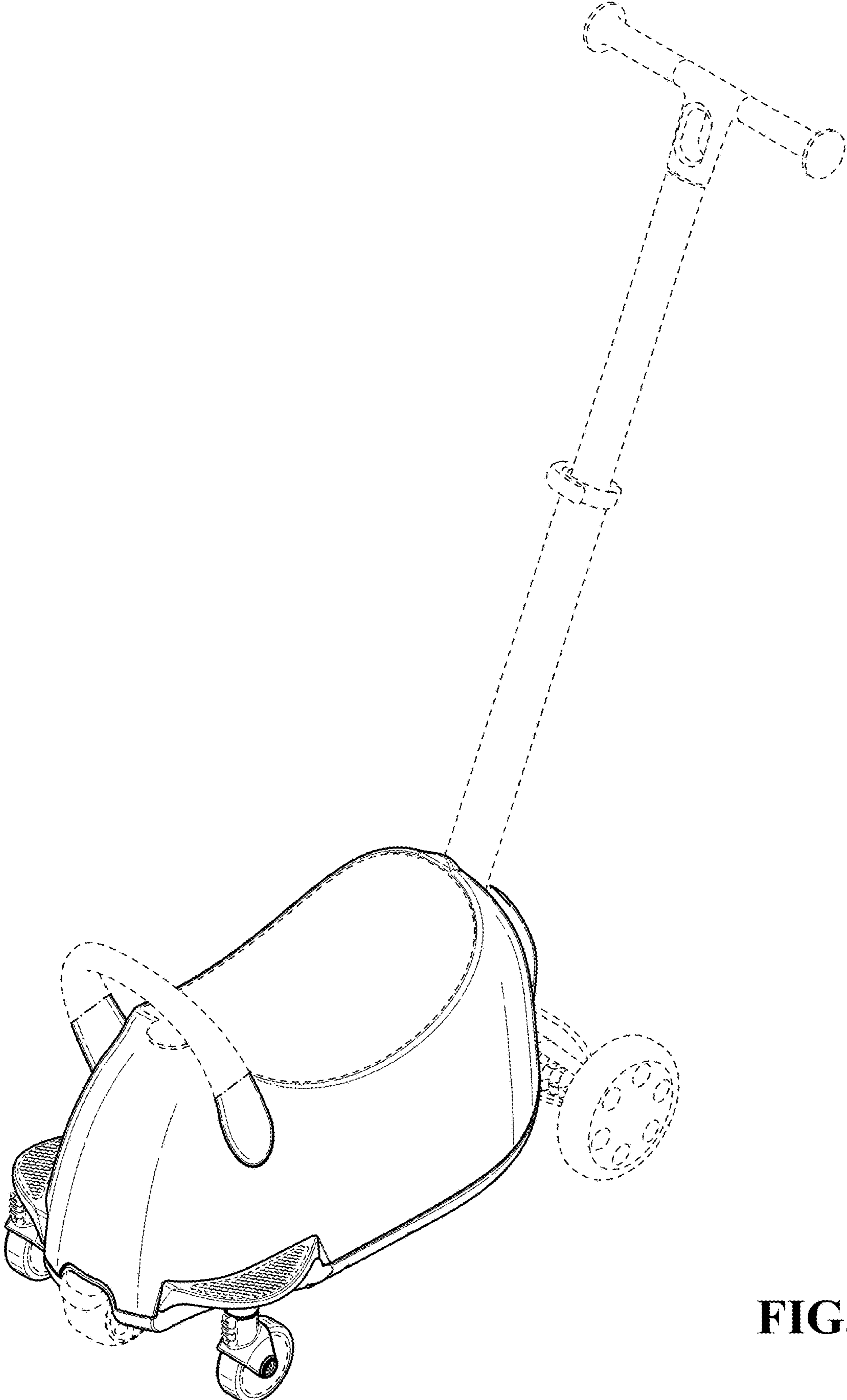


FIG. 8