



US00D978256S

(12) **United States Design Patent** (10) **Patent No.:** **US D978,256 S**
Soon-Shiong et al. (45) **Date of Patent:** **** Feb. 14, 2023**

- (54) **PERSONAL TRANSPORT VEHICLE**
- (71) Applicant: **NantMobility, LLC**, Culver City, CA (US)
- (72) Inventors: **Patrick Soon-Shiong**, Los Angeles, CA (US); **Thomas M. Wittenschlaeger**, Flowery Branch, GA (US); **Nathan H. Allen**, Pasadena, CA (US)
- (73) Assignee: **NANTMOBILITY, LLC**, Culver City, CA (US)

- 4,379,393 A 4/1983 Schott et al.
- 4,522,281 A 6/1985 Snider
- D293,092 S 12/1987 Yamada
- D312,485 S 11/1990 Turner
- 5,265,695 A 11/1993 Piazzi et al.
- D414,220 S 9/1999 Catto
- D433,654 S 11/2000 Gorvine
- D441,323 S 5/2001 Cheng
- D445,144 S 7/2001 Lin
- D449,860 S 10/2001 Lin
- D450,355 S 11/2001 Chan
- D456,460 S 4/2002 Tseng

(Continued)

- (**) Term: **15 Years**
- (21) Appl. No.: **29/837,502**
- (22) Filed: **May 5, 2022**

OTHER PUBLICATIONS

U.S. Appl. No. 29/521,418, filed Mar. 23, 2015, (now U.S. Pat. No. D. 774,961), Nathan Howard Allen.

(Continued)

Related U.S. Application Data

- (63) Continuation of application No. 29/750,478, filed on Sep. 14, 2020, now Pat. No. Des. 951,361.
- (51) **LOC (14) Cl.** **21-01**
- (52) **U.S. Cl.**
USPC **D21/423**
- (58) **Field of Classification Search**
USPC D21/419, 421, 423, 424-427, 429, 432, D21/435, 760, 763, 765, 771; D12/1, D12/110
CPC B62K 3/002; B62K 9/00; B62K 2202/00; B62K 15/00; B62K 2015/001; B62K 2015/003; B60Y 2200/126
See application file for complete search history.

Primary Examiner — Cynthia M. Chin

(74) *Attorney, Agent, or Firm* — Harness Dickey & Pierce P.L.C.

(57) **CLAIM**

The ornamental design for a personal transport vehicle, as shown and described.

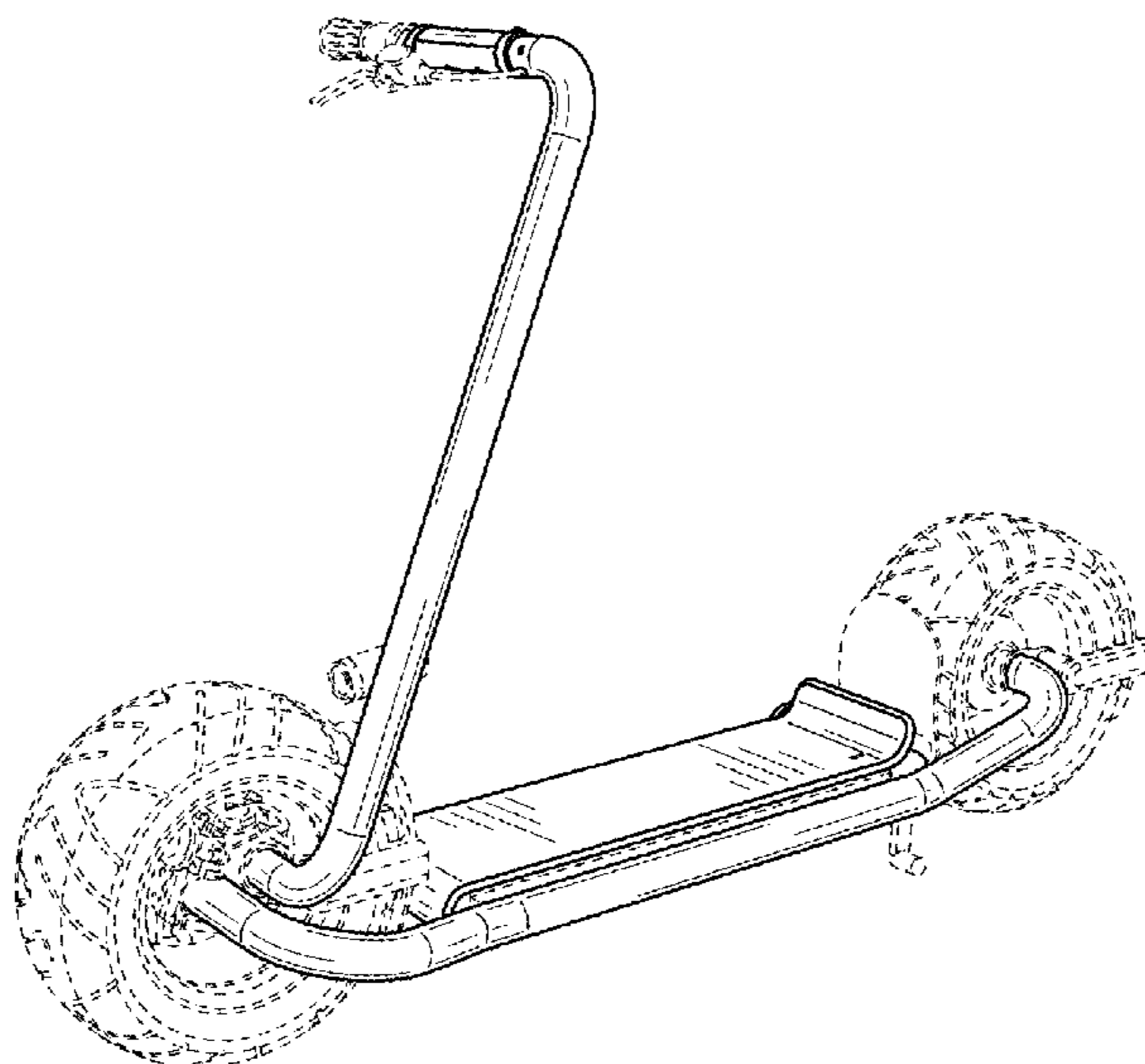
DESCRIPTION

FIG. 1 is an isometric view of a personal transport vehicle in accordance with our new design; FIG. 2 is a front elevation view thereof; FIG. 3 is a rear elevation view thereof; FIG. 4 is a right side elevation view thereof; FIG. 5 is a left side elevation view thereof; FIG. 6 is a top plan view thereof; and, FIG. 7 is a bottom plan view thereof. The broken lines shown are included for the purpose of illustrating portions of the personal transport vehicle which form no part of the claimed design.

(56) **References Cited**
U.S. PATENT DOCUMENTS

- 1,872,142 A 8/1932 Holtzman
- D210,839 S 4/1968 Jones
- 3,897,842 A 8/1975 Rheaume et al.
- 3,948,563 A 4/1976 Replin
- 4,007,614 A 2/1977 Schott et al.

1 Claim, 7 Drawing Sheets



(56)

References Cited

U.S. PATENT DOCUMENTS

D458,563 S 6/2002 Jones
 D464,002 S 10/2002 Ho
 D464,379 S 10/2002 Lin
 6,505,846 B1 1/2003 Hoffman
 D479,285 S 9/2003 Jung
 D480,662 S 10/2003 Ou
 D483,078 S 12/2003 Jung
 D487,908 S 3/2004 Mayer
 D492,367 S 6/2004 Dennis
 D494,507 S 8/2004 Doong
 D508,093 S 8/2005 Wu
 D513,629 S 1/2006 Sramek
 D513,772 S 1/2006 Otis
 D563,484 S 3/2008 Laatz
 D679,223 S 4/2013 Loasby
 D693,414 S 11/2013 Hadley
 8,776,932 B1 7/2014 Bussinger et al.
 9,051,019 B2 6/2015 Reck
 9,440,698 B2 9/2016 Dadoosh et al.
 D774,961 S 12/2016 Allen
 9,873,476 B2 1/2018 Etzelsberger et al.
 D890,852 S 7/2020 Yang
 D892,244 S * 8/2020 Basar D21/765
 D893,636 S 8/2020 Forte et al.
 10,889,347 B2 1/2021 Allen
 10,946,923 B2 3/2021 Allen
 2003/0102647 A1 6/2003 Morrone
 2005/0269793 A1 12/2005 Mackin et al.
 2006/0266570 A1 11/2006 Roth et al.
 2009/0020350 A1 1/2009 Wu
 2011/0298193 A1 12/2011 Fan
 2012/0193159 A1 8/2012 Wu et al.

2013/0341885 A1 12/2013 Nagakubo
 2014/0203538 A1 7/2014 Huang
 2015/0068828 A1 3/2015 Delgatty et al.
 2017/0001683 A1 1/2017 Gerencser
 2018/0015978 A1 1/2018 Delgatty et al.
 2018/0022411 A1 1/2018 Kistemaker et al.
 2019/0382072 A1 12/2019 Allen
 2020/0231240 A1 7/2020 Allen

OTHER PUBLICATIONS

U.S. Appl. No. 16/441,706, filed Jun. 14, 2019, Nathan Howard Allen.
 U.S. Appl. No. 16/501,471, filed Dec. 15, 2014, Nathan Howard Allen.
 U.S. Appl. No. 17/198,109, filed Mar. 10, 2021, Nathan Howard Allen.
 U.S. Appl. No. 29/750,478, filed Sep. 14, 2020, Patrick Soon-Shiong.
 “Sbyke P16 Skateboard/Bicycle Hybrid.” Brookston., Mar. 29, 2012 [online], [retrieved on Jun. 25, 2016]. Retrieved from the Internet <URL: <http://www.brookstone.com/sbyke-p16-skateboard-bicycle-hybrid/877781p.htm-I?bkeid=compare|mercent|googlebaseads|search&adpos=1o7&creative=9761900900-4&device=c&matchtype=&network=s&gclid=C>>.
 “Scrooser Electric Scooter.” Weezbo., Jul. 6, 2012 [online], [retrieved on Jun. 25, 2016]. Retrieved from the Internet <URL: <http://weezbo.com/scrooser-electric-scooter.html>>.
 “2016 Newest Big Wheel Scooter 2 Wheel City Scooter.” Every China website., Jan. 11, 2016 [online], [retrieved on Jun. 25, 2016]. Retrieved from the Internet <URL: <http://weezbo.com/scrooser-electric-scooter.html>>.

* cited by examiner

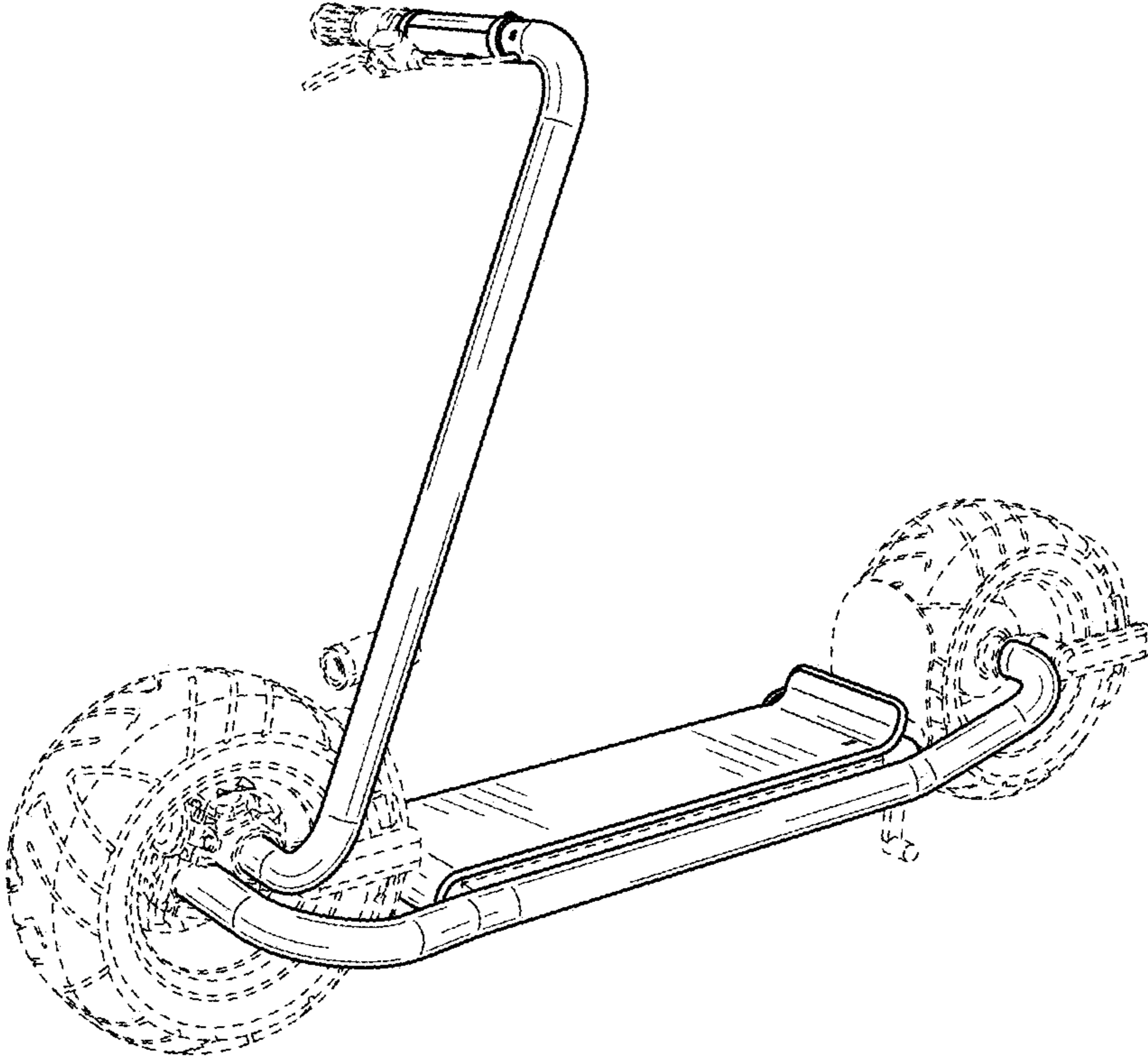


FIG. 1

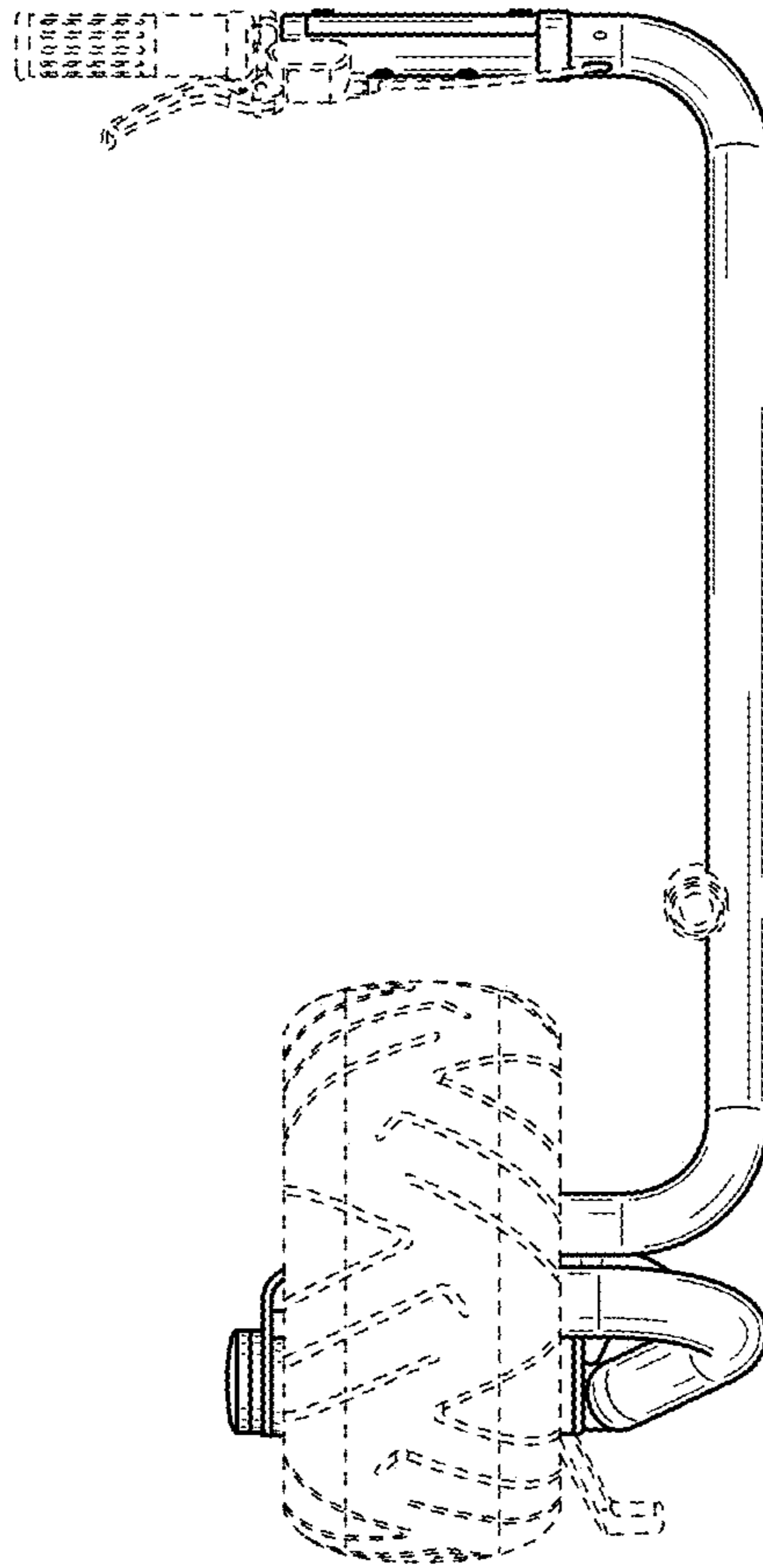


FIG. 2

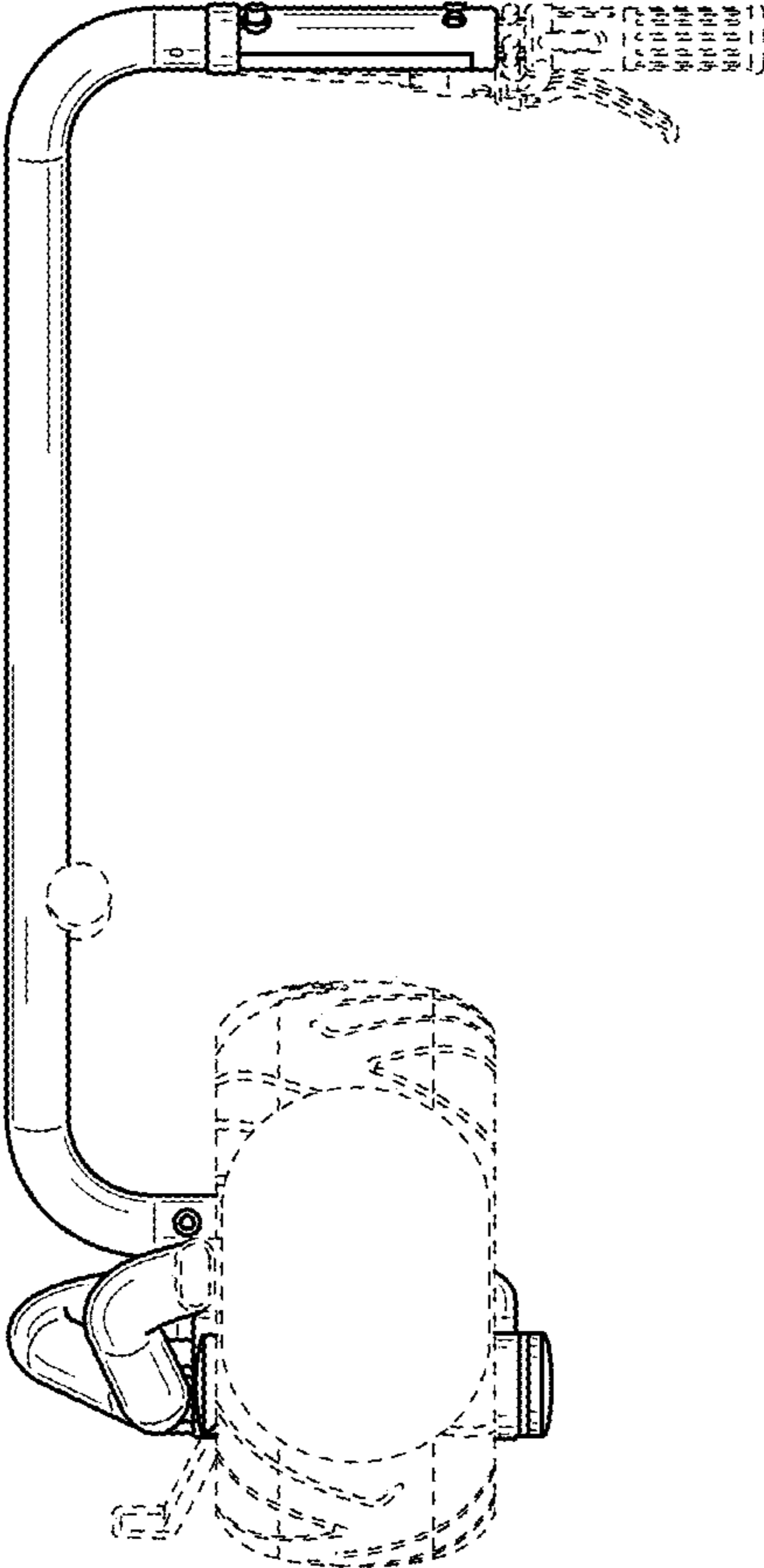


FIG. 3

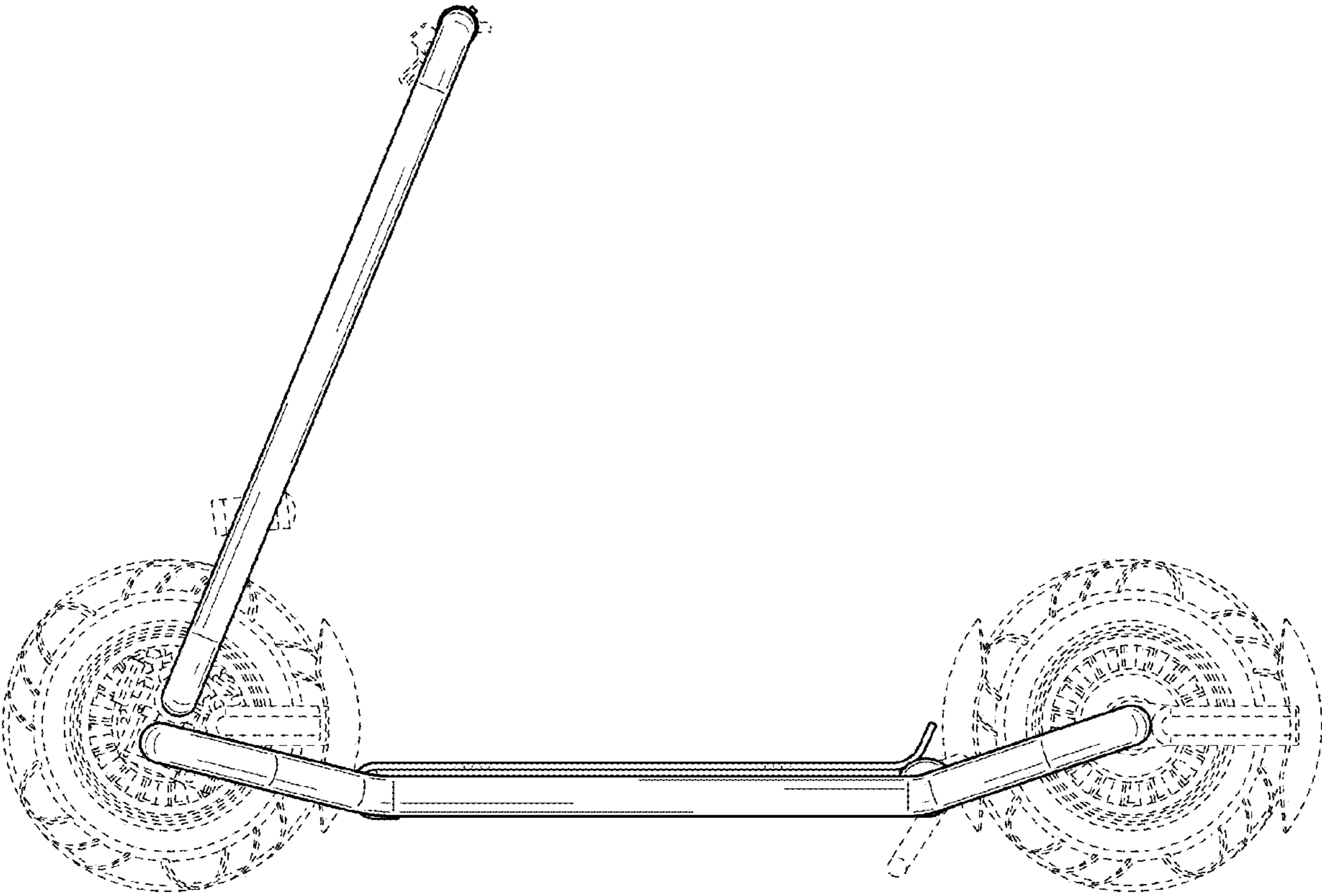


FIG. 4

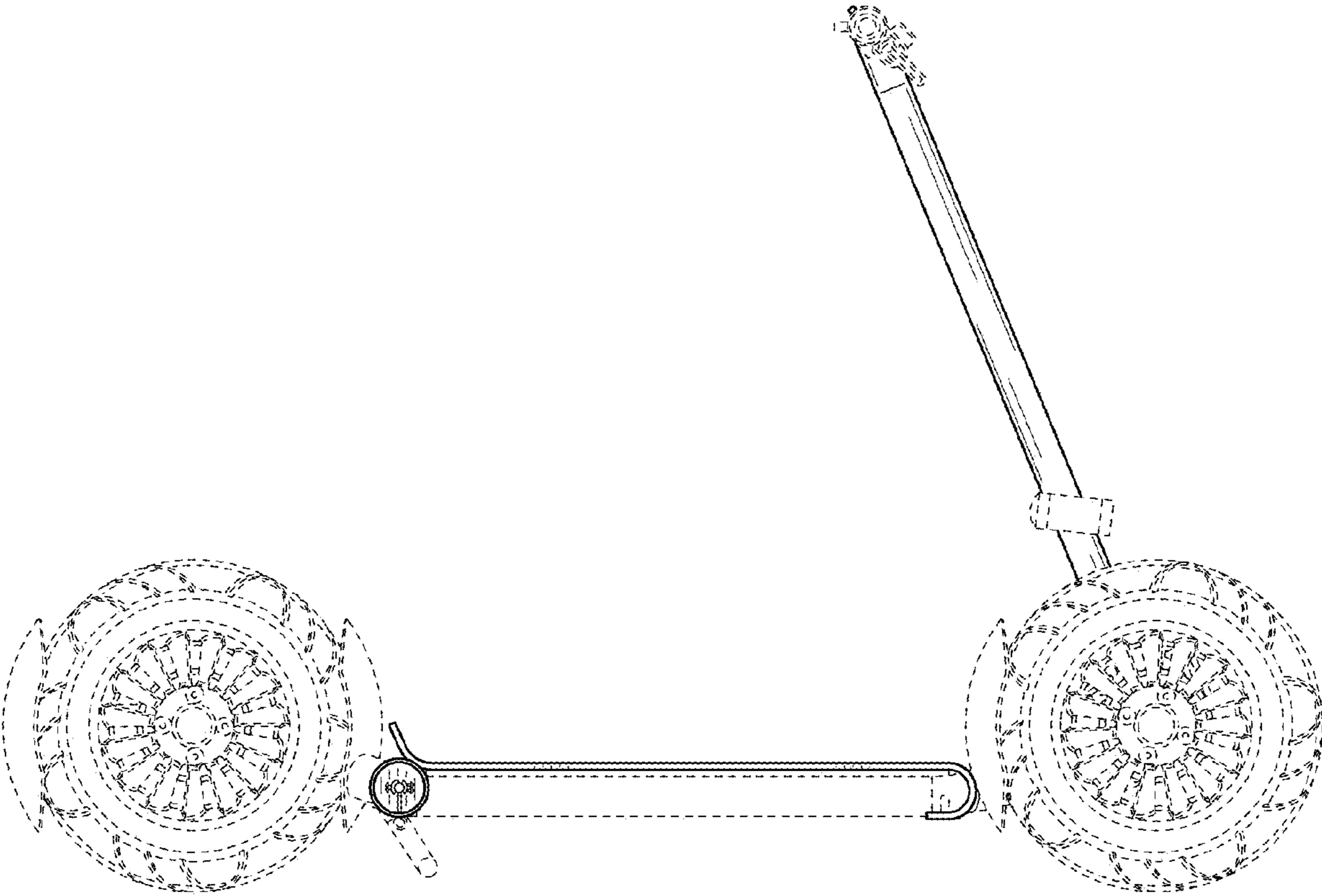


FIG. 5

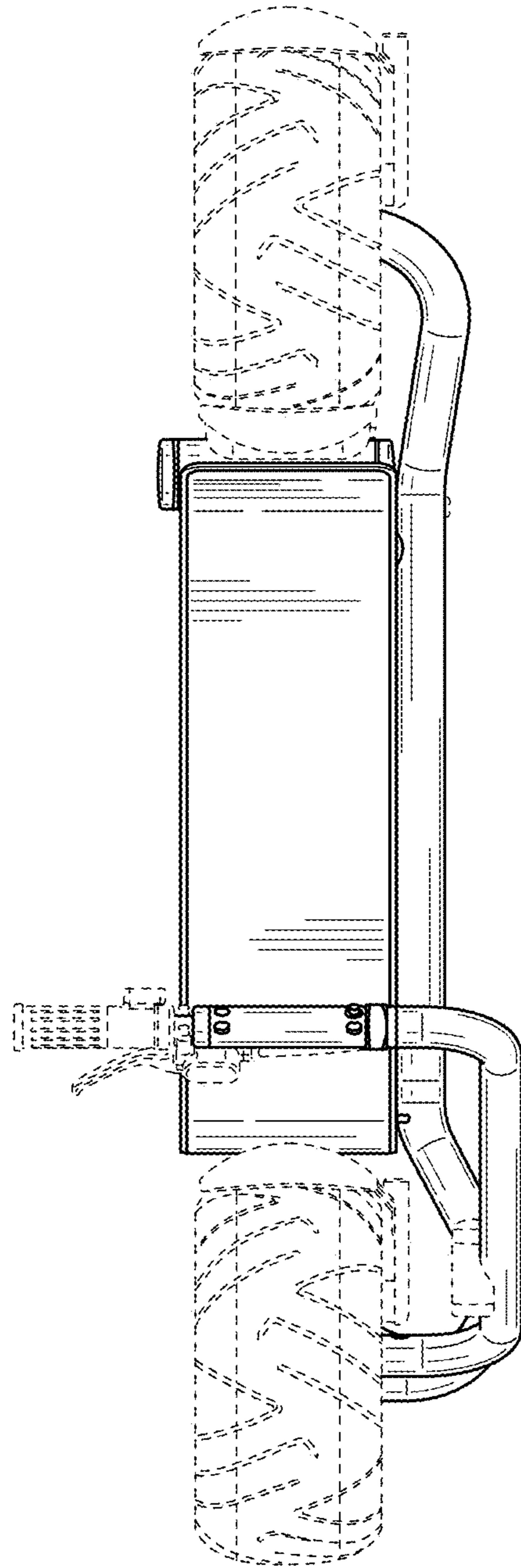


FIG. 6

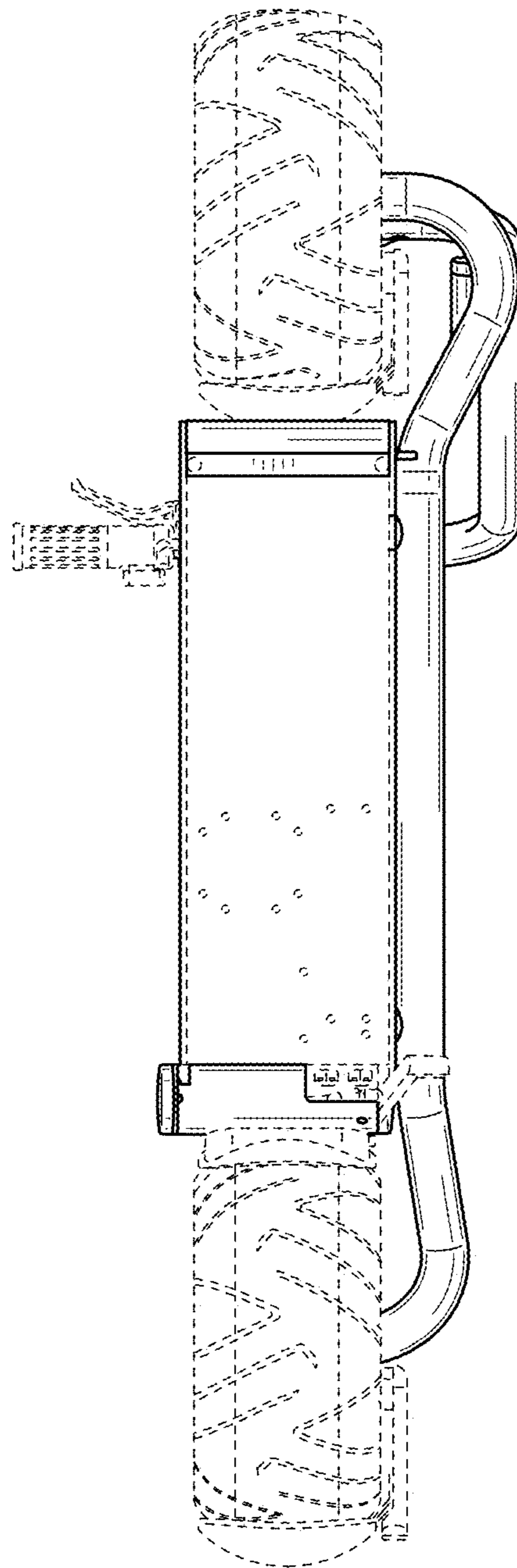


FIG. 7