



US00D978255S

(12) **United States Design Patent** (10) **Patent No.:** **US D978,255 S**
Desberg (45) **Date of Patent:** **** Feb. 14, 2023**

(54) **SCOOTER KICKSTAND**

FOREIGN PATENT DOCUMENTS

(71) Applicant: **RAZOR USA LLC**, Cerritos, CA (US)

CN 2 425 680 Y 4/2001
CN 2 457 013 Y 10/2001

(72) Inventor: **Ian Desberg**, Cerritos, CA (US)

(Continued)

(73) Assignee: **Razor USA LLC**, Cerritos, CA (US)

OTHER PUBLICATIONS

(**) Term: **15 Years**

Dirt King, "Declaration of James R. Funk",—Alleged public use and service in 1985; drawings and xerographic copies of photographs, Dec. 14, 2000.

(21) Appl. No.: **29/823,187**

(Continued)

(22) Filed: **Jan. 14, 2022**

Related U.S. Application Data

Primary Examiner — Cynthia M. Chin

(63) Continuation of application No. 29/755,363, filed on Oct. 20, 2020, now Pat. No. Des. 941,396, which is a continuation of application No. 29/711,903, filed on Nov. 4, 2019, now Pat. No. Des. 900,241, which is a continuation of application No. 29/674,371, filed on Dec. 20, 2018, now Pat. No. Des. 866,675, which is a continuation of application No. 29/643,133, filed on Apr. 4, 2018, now Pat. No. Des. 837,303, which is a continuation of application No. 29/577,036, filed on Sep. 8, 2016, now Pat. No. Des. 815,215.

(74) *Attorney, Agent, or Firm* — Knobbe, Martens, Olson & Bear, LLP

(51) **LOC (14) Cl.** **21-01**

(57) **CLAIM**

(52) **U.S. Cl.**

The ornamental design for a scooter kickstand, as shown and described.

USPC **D21/423**; D12/120

(58) **Field of Classification Search**

DESCRIPTION

USPC D21/423, 760, 771; D12/1, 112, 114, D12/120

FIG. 1 is a top, rear, left-side perspective view showing a scooter kickstand of my design; FIG. 2 is an enlarged partial view thereof, taken from FIG. 1; FIG. 3 is a bottom, front, left-side view thereof; FIG. 4 is a left-side view thereof; FIG. 5 is a right-side view thereof; FIG. 6 is a front view thereof; FIG. 7 is a rear view thereof; FIG. 8 is a top view thereof; and, FIG. 9 is a bottom view thereof. The dot-dash line in FIG. 2 represents the boundary of the enlarged partial view. All other broken lines are for the purpose of illustrating the environment in which the article resides. None of the broken lines form a part of the claimed design.

CPC ... B62H 1/00; B62H 1/02; B62H 1/04; B62H 1/06; B62H 2700/00; B62K 3/002; B62K 9/00; B62K 2202/00; B62K 13/00

See application file for complete search history.

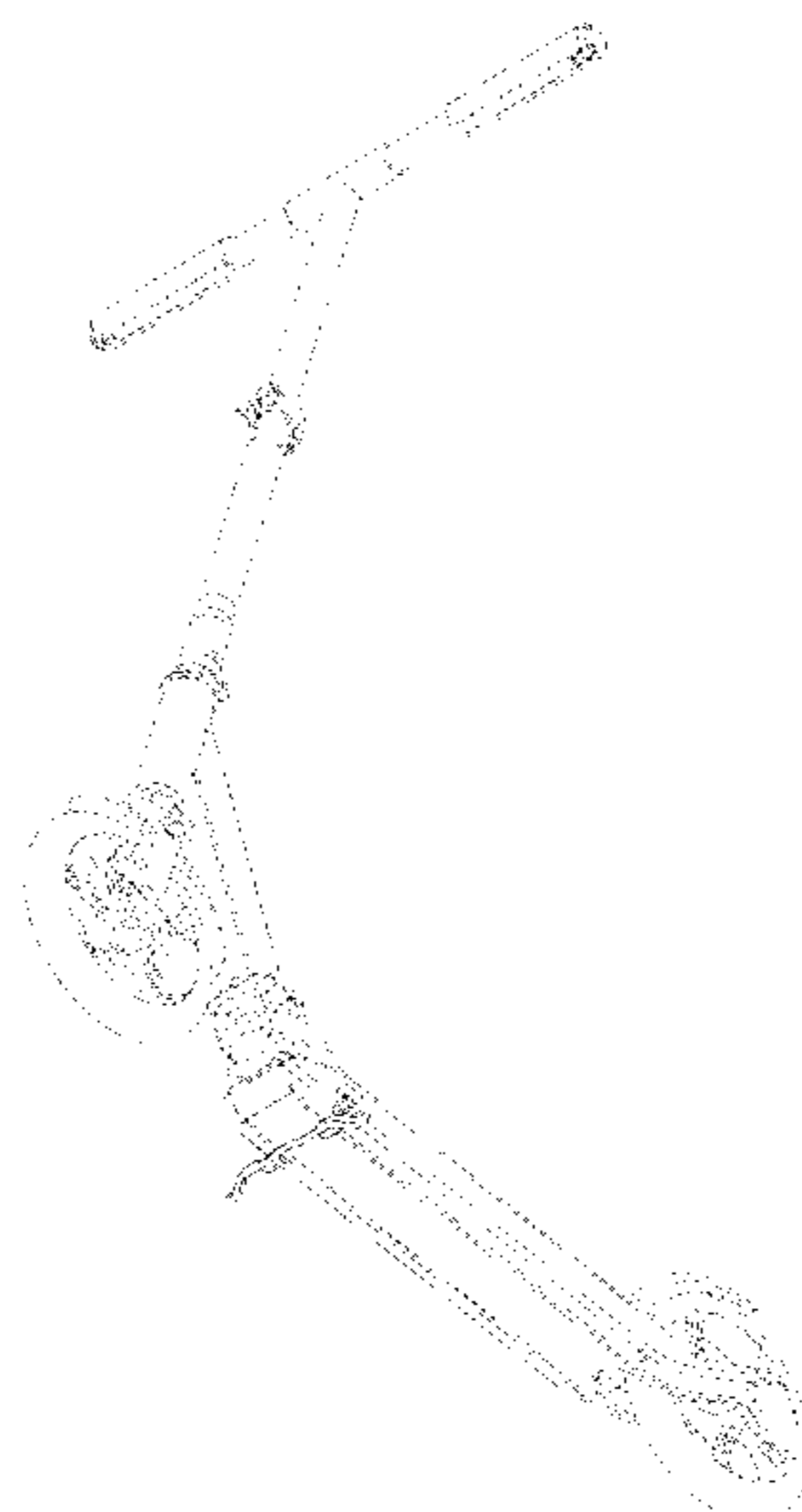
(56) **References Cited**

1 Claim, 8 Drawing Sheets

U.S. PATENT DOCUMENTS

606,525 A 6/1898 Dunning
D30,815 S * 5/1899 Hart, Jr. D12/120
D30,816 S * 5/1899 Hart, Jr. D12/120

(Continued)



(56)

References Cited

U.S. PATENT DOCUMENTS

D30,817 S *	5/1899	Hart, Jr.	D12/120	6,234,501 B1	5/2001	Chen	
628,433 A	7/1899	Finch		D446,259 S	8/2001	Udwin et al.	
D31,479 S *	8/1899	Hart, Jr.	D12/120	D447,187 S	8/2001	Powers	
D31,480 S *	8/1899	Hart, Jr.	D12/120	6,270,095 B1	8/2001	Chang	
730,622 A	6/1903	Milton		6,273,205 B1	8/2001	Tsai	
1,060,649 A *	5/1913	Tobin	B62H 1/00 280/297	6,276,701 B1	8/2001	Chen	
1,297,282 A	3/1919	White		6,279,929 B1	8/2001	Fruechtenicht	
1,345,038 A	6/1920	Uppling		6,298,952 B1	10/2001	Tsai	
1,391,312 A	9/1921	Gebhardt		D452,284 S	12/2001	McGinnis	
1,534,601 A	4/1925	Matveyeff		6,332,621 B1	12/2001	Wu	
1,570,189 A	1/1926	Sturm		D453,198 S	1/2002	Dudley	
1,614,822 A	1/1927	Bukolt		D454,377 S	3/2002	Hsu et al.	
1,653,558 A	12/1927	Fisher		D456,460 S	4/2002	Tseng	
1,658,068 A	2/1928	White		6,378,880 B1	4/2002	Lin	
1,687,739 A	10/1928	Slusher		6,390,483 B1	5/2002	Hsu et al.	
1,687,953 A	10/1928	Starks		6,409,190 B1	6/2002	Tsai	
1,701,410 A	2/1929	Hornquist		6,428,021 B1	8/2002	Tung	
1,714,000 A	5/1929	Davis		6,431,567 B2	8/2002	Tsai	
1,968,975 A	8/1934	Upsacker et al.		D486,532 S	2/2004	Christianson	
2,198,667 A	4/1940	Hagenes		6,742,798 B2 *	6/2004	Berkmann	B62H 1/04 280/300
2,439,556 A	4/1948	Bancroft		7,011,319 B2	3/2006	Lu	
2,460,395 A	2/1949	Reid		7,063,341 B2	6/2006	Tsai	
2,546,711 A	3/1951	Amendt		7,156,405 B1	1/2007	Ming	
3,006,659 A	10/1961	Krasnoff		D556,838 S	12/2007	Ming	
3,288,251 A	11/1966	Paul		7,407,172 B2	8/2008	Ka Ming	
3,396,928 A	8/1968	Lay		7,419,171 B1	9/2008	Ka Ming	
3,484,116 A	12/1969	Allen		7,559,561 B2	7/2009	Tsai	
3,684,305 A	8/1972	Mcdonald		7,584,974 B2	9/2009	Jackman	
3,876,217 A	4/1975	Henri		7,976,035 B2	7/2011	Chan	
3,891,225 A	6/1975	Sessa		D645,522 S	9/2011	Powers	
4,003,582 A	1/1977	Maurer		D654,963 S	2/2012	Powers et al.	
4,033,596 A	7/1977	Andorsen		8,157,275 B2	4/2012	Tsai	
4,088,334 A	5/1978	Johnson		8,292,018 B2	10/2012	Huang	
4,102,541 A	7/1978	Altorfer et al.		D671,600 S	11/2012	Horne	
4,103,917 A	8/1978	Widolf		D684,217 S	6/2013	Hadley	
4,144,822 A	3/1979	Roberts et al.		8,474,840 B2	7/2013	Tsai	
4,166,629 A	9/1979	List		8,500,144 B2	8/2013	Querro et al.	
4,169,687 A	10/1979	Schull		D691,671 S	10/2013	Chen et al.	
4,179,134 A	12/1979	Atkinson		D692,963 S	11/2013	Radtke et al.	
4,202,559 A	5/1980	Piazza, Jr.		8,870,200 B2	10/2014	Chen	
4,394,029 A	7/1983	Holmgren		D717,881 S	11/2014	Radtke et al.	
4,584,735 A	4/1986	Garber		8,925,935 B2	1/2015	Powers et al.	
4,707,884 A	11/1987	Chang		8,998,224 B2	4/2015	Ngai	
4,735,392 A	4/1988	Farmer		D756,465 S	5/2016	Byrne et al.	
4,790,550 A	12/1988	Simpson		9,422,021 B2	8/2016	Tsai	
4,795,181 A	1/1989	Armstrong		9,862,449 B2	1/2018	Xu	
4,799,701 A	1/1989	Lindau		D815,215 S	4/2018	Desberg	
4,905,946 A	3/1990	Wang		D818,541 S	5/2018	Huang	
4,969,231 A	11/1990	Mader et al.		9,969,456 B2	5/2018	Tsai	
5,042,622 A	8/1991	Smith		10,093,380 B2	10/2018	Gotfrid	
5,102,079 A	4/1992	Lee		D835,206 S	12/2018	Lin et al.	
5,183,129 A	2/1993	Powell		D836,727 S	12/2018	Wilson et al.	
5,192,099 A	3/1993	Riutta		D837,303 S	1/2019	Desberg	
5,238,082 A	8/1993	Stegeman et al.		D849,153 S	5/2019	Zhang et al.	
5,320,367 A	6/1994	Landis		D866,675 S	11/2019	Desberg	
5,383,536 A	1/1995	Butter et al.		D867,938 S *	11/2019	Brockway	D12/133
5,437,425 A	8/1995	Hou		D869,563 S	12/2019	Koller	
5,630,633 A	5/1997	Dupre et al.		10,494,044 B2 *	12/2019	Privitelli	B62H 1/04
5,692,761 A	12/1997	Havlovitz		D872,191 S	1/2020	Lee	
5,816,614 A	10/1998	Kramer, Jr. et al.		10,526,034 B2	1/2020	Hadley	
5,848,660 A	12/1998	McGreen		10,773,763 B2 *	9/2020	Kaise	B62J 11/13
5,927,733 A	7/1999	Banda		D900,241 S	10/2020	Desberg	
5,938,223 A	8/1999	Kotlier		D941,396 S	1/2022	Desberg	
5,992,566 A	11/1999	Yeh		2001/0030405 A1	10/2001	Wu et al.	
6,120,044 A	9/2000	Tsai		2002/0050696 A1	5/2002	Lan	
6,139,035 A	10/2000	Tsai		2002/0093161 A1	7/2002	Udwin et al.	
D435,873 S	1/2001	Lee		2002/0093164 A1 *	7/2002	Tai	B62K 3/002 280/87.041
D435,874 S	1/2001	Cheng		2002/0140193 A1	10/2002	Chai	
6,179,307 B1	1/2001	Mao		2002/0145264 A1	10/2002	Hung	
6,182,988 B1	2/2001	Wu		2003/0034622 A1	2/2003	van Ardenne	
D438,911 S	3/2001	Chen		2003/0067132 A1	4/2003	Lin	
D438,912 S	3/2001	Barrera		2003/0214108 A1	11/2003	Lan	
D439,623 S	3/2001	Barrera		2004/0036194 A1	2/2004	Chadwick et al.	
6,206,387 B1	3/2001	Tsai		2004/0129472 A1	7/2004	Cheng	
				2004/0154132 A1	8/2004	Ritrovato et al.	
				2005/0006866 A1	1/2005	Chen	
				2005/0073121 A1	4/2005	Chen	

(56)

References Cited

U.S. PATENT DOCUMENTS

2005/0248111	A1	11/2005	Lu	
2006/0103096	A1	5/2006	Chen	
2009/0230648	A1	9/2009	Chan	
2009/0278327	A1	11/2009	Chan	
2013/0087983	A1	4/2013	Ngai	
2013/0292921	A1*	11/2013	Vanderschuur B62H 1/04 280/299
2013/0320648	A1	12/2013	Eckert et al.	
2015/0166141	A1	6/2015	Lovely, II et al.	
2016/0368558	A1	12/2016	Xu	
2017/0240239	A1	8/2017	Huang et al.	
2018/0065702	A1	3/2018	Desberg	
2018/0186424	A1	7/2018	Sung et al.	
2020/0339212	A1	10/2020	Hadley	

DE	20 2010 002431	5/2010
DE	20 2009 007138	11/2010
DE	20 2009 013737	4/2011
EP	2 460 714 A1	6/2012
ES	2 447 969 T3	3/2014
FR	0396141	4/1909
GB	699673 A	11/1953
JP	S48-51660	10/1946
JP	H02-24264	1/1990
JP	U04-112186	9/1992
JP	H06-329069	11/1994
JP	3072486	8/2000
JP	2002-000790	1/2002
JP	2002-320702 A	11/2002
JP	2006-095303	4/2006
JP	2010-235077	10/2010
SU	912 584 A1	3/1982
WO	WO 2018/045218 A1	3/2018

FOREIGN PATENT DOCUMENTS

CN	2794988 Y	7/2006
CN	201538397 U	8/2010
CN	201721578 U	1/2011
CN	205524716 U	8/2016
CN	207523864 U	6/2018
CN	207875890 U	9/2018
CN	207875891 U	9/2018
DE	19711042 A1	9/1998
DE	200 09 044 U1	8/2000

OTHER PUBLICATIONS

Sharper Image Catalogue, Aug. 1998.
Xerographic of photographs or advertisements relating to "K2" scooter, date unknown.
Xerographic photos or advertisements relating to "Rollerboard" scooter, date unknown.
Tranz X drawings, 1998.

* cited by examiner

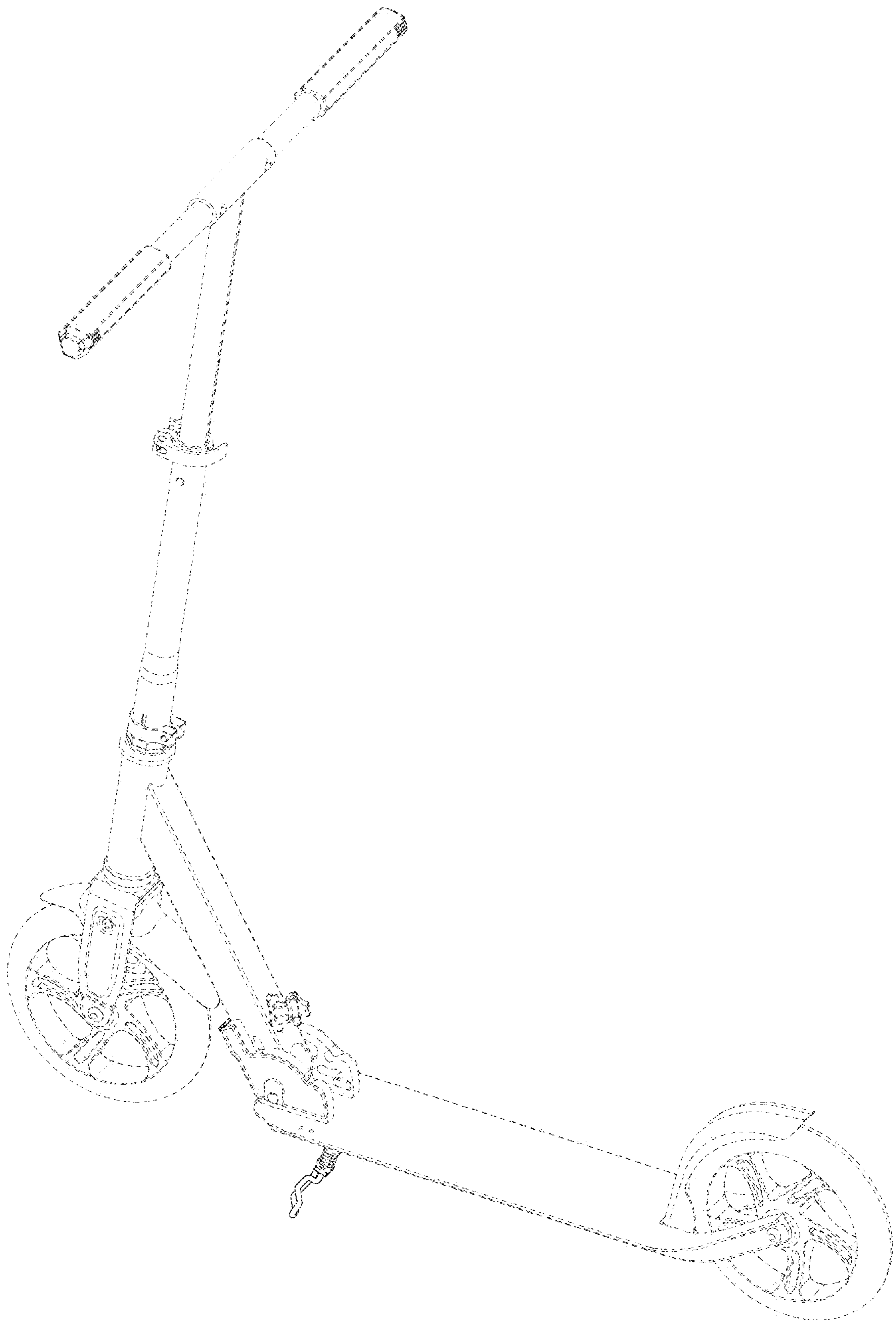


FIG. 1

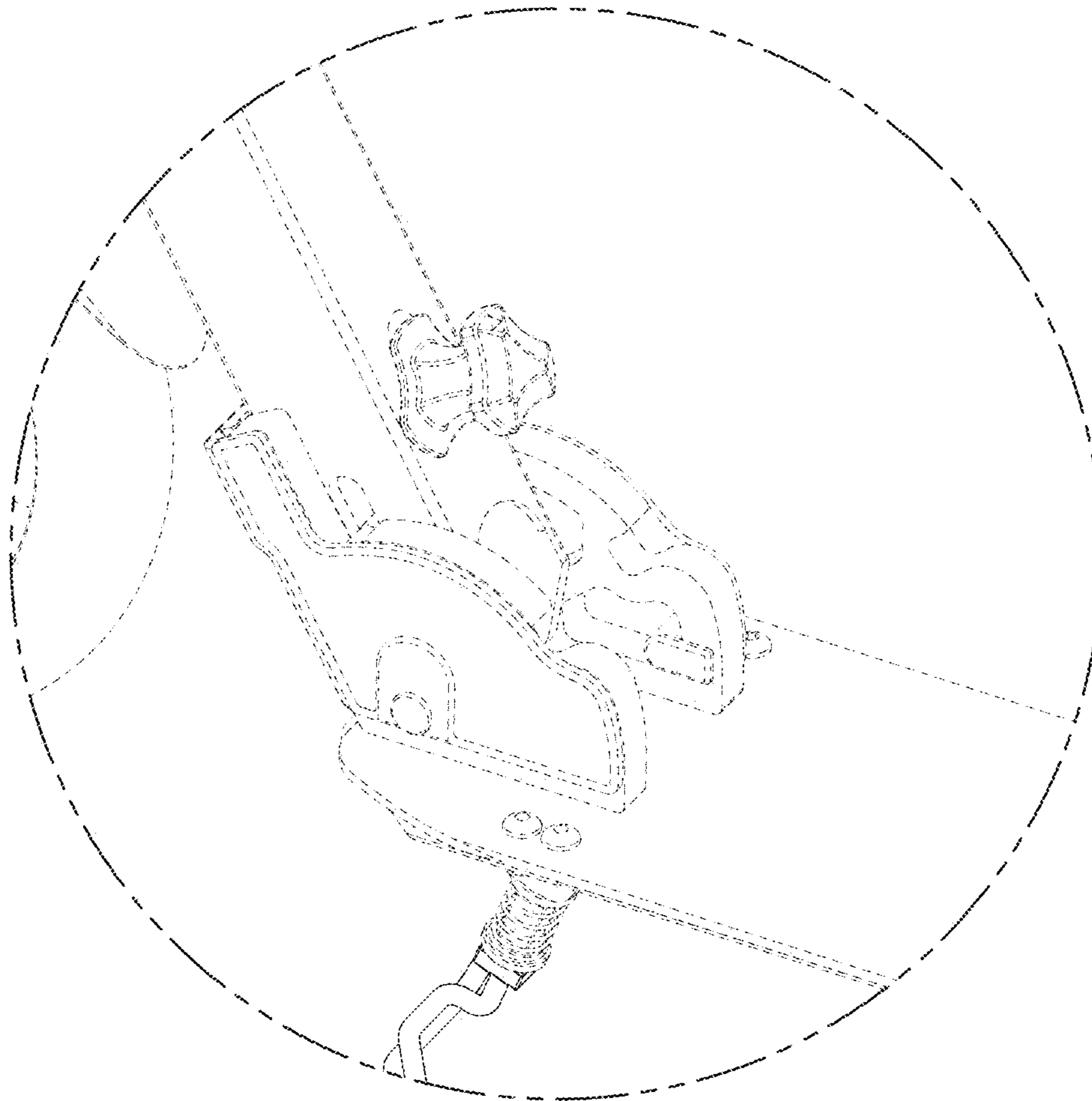


FIG. 2

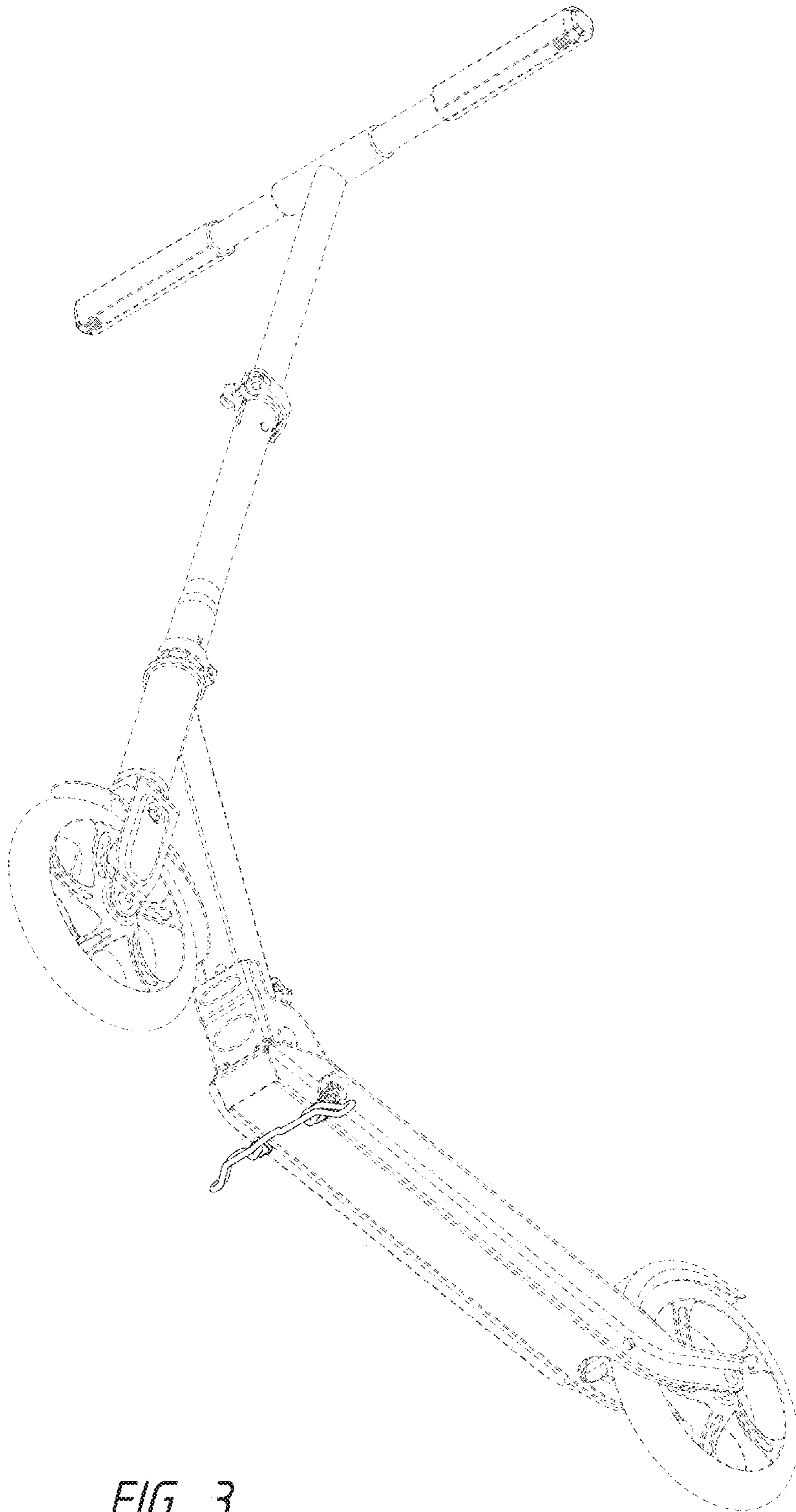


FIG. 3

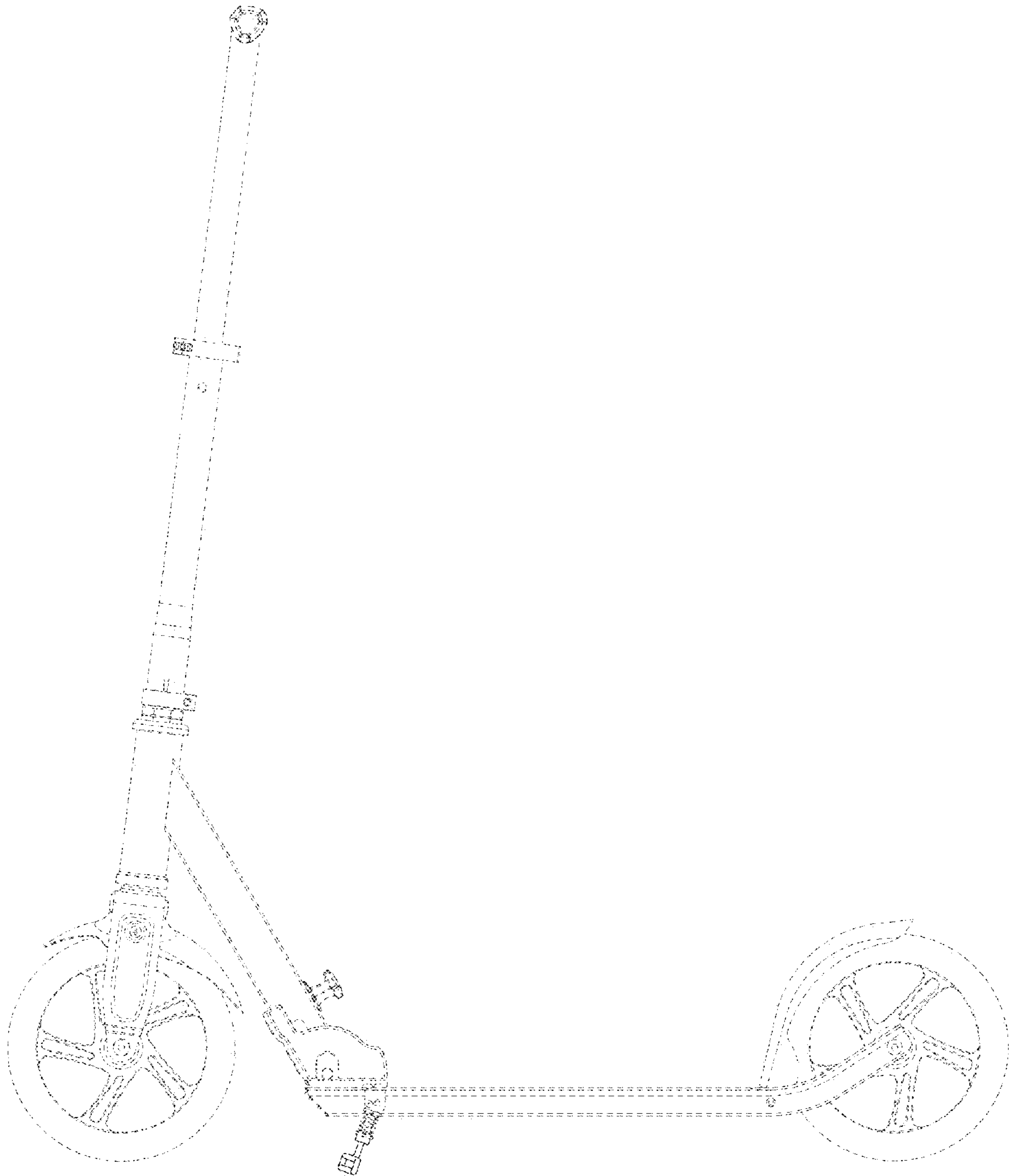


FIG. 4

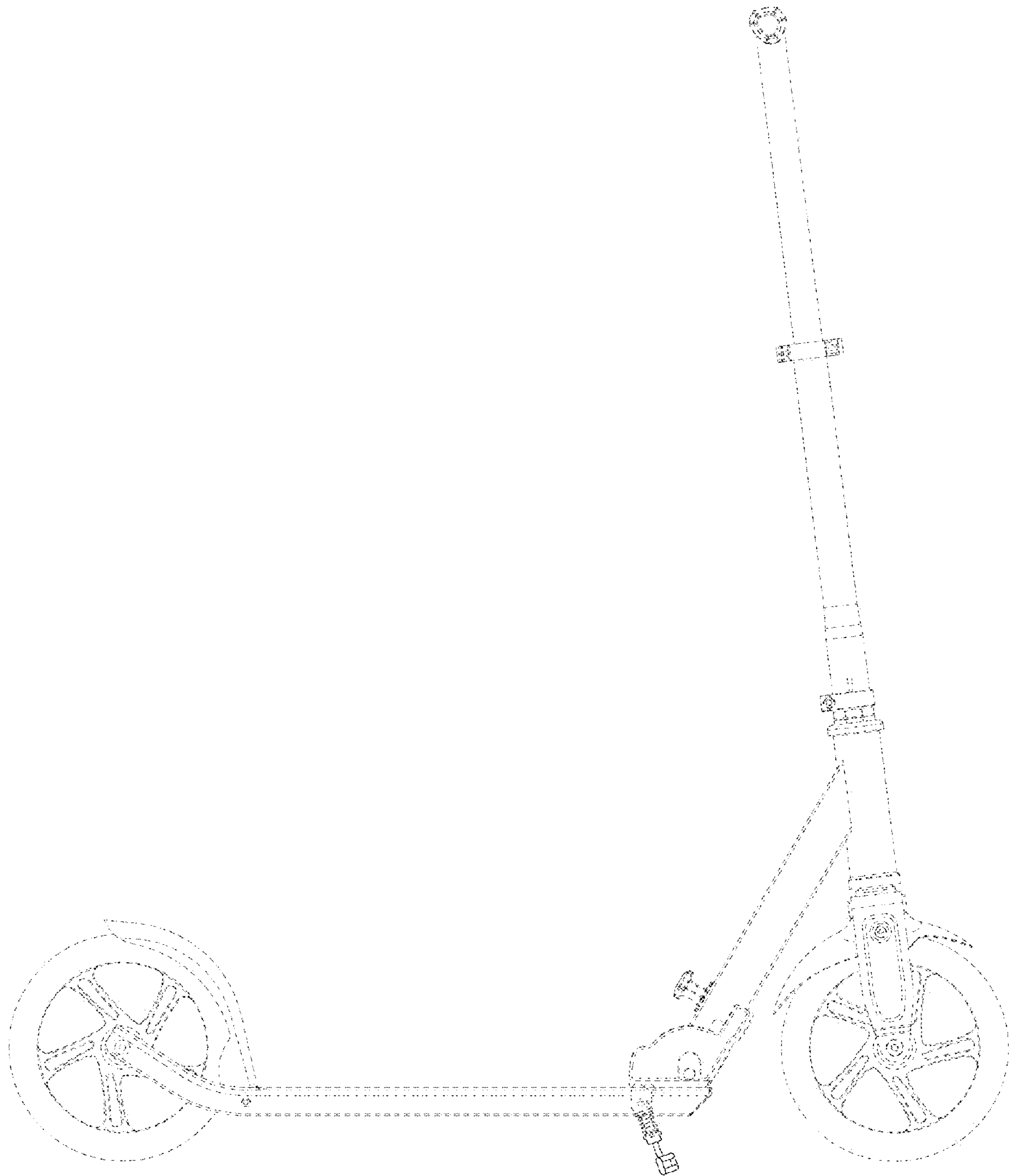


FIG. 5

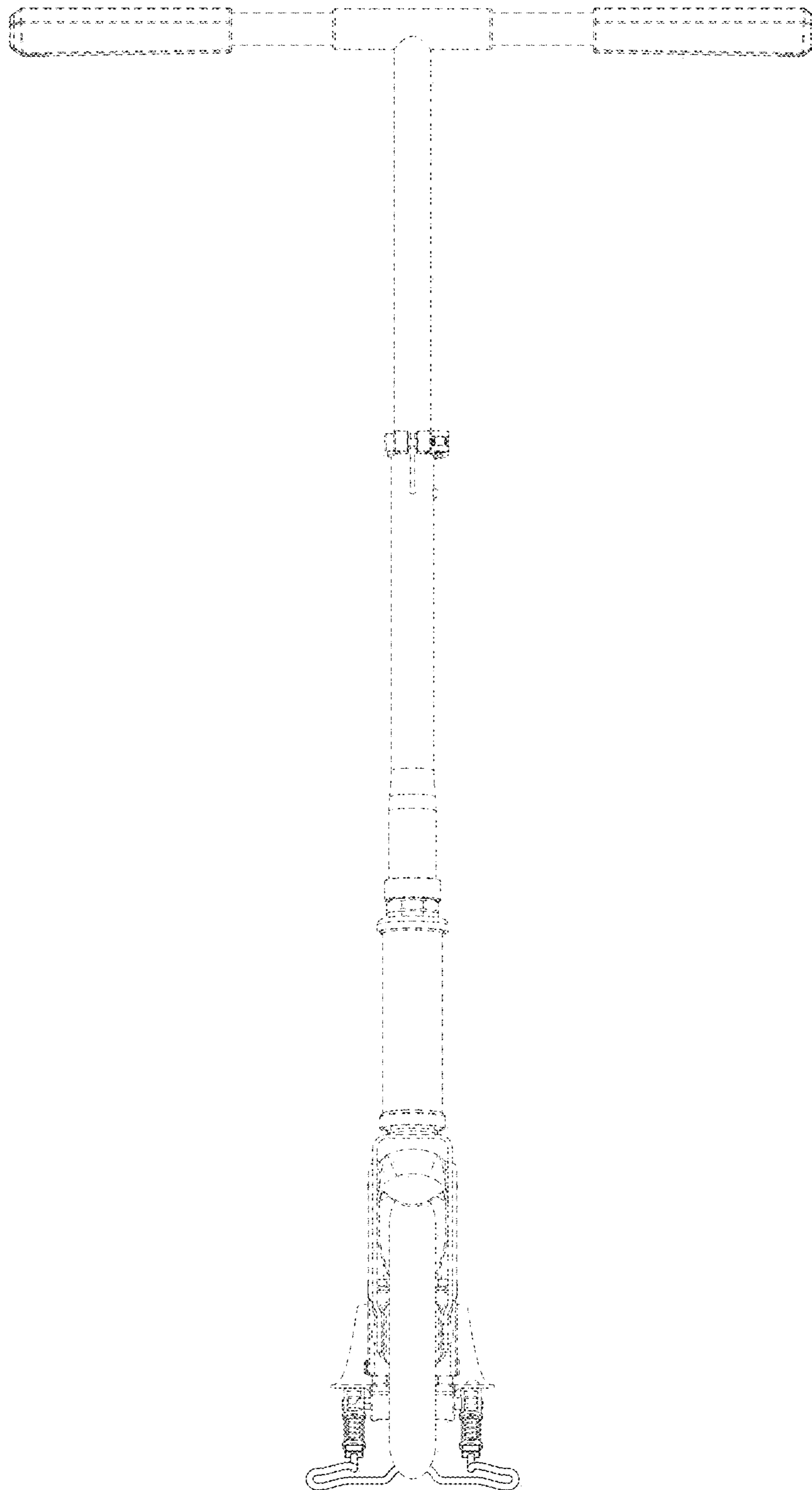


FIG. 6

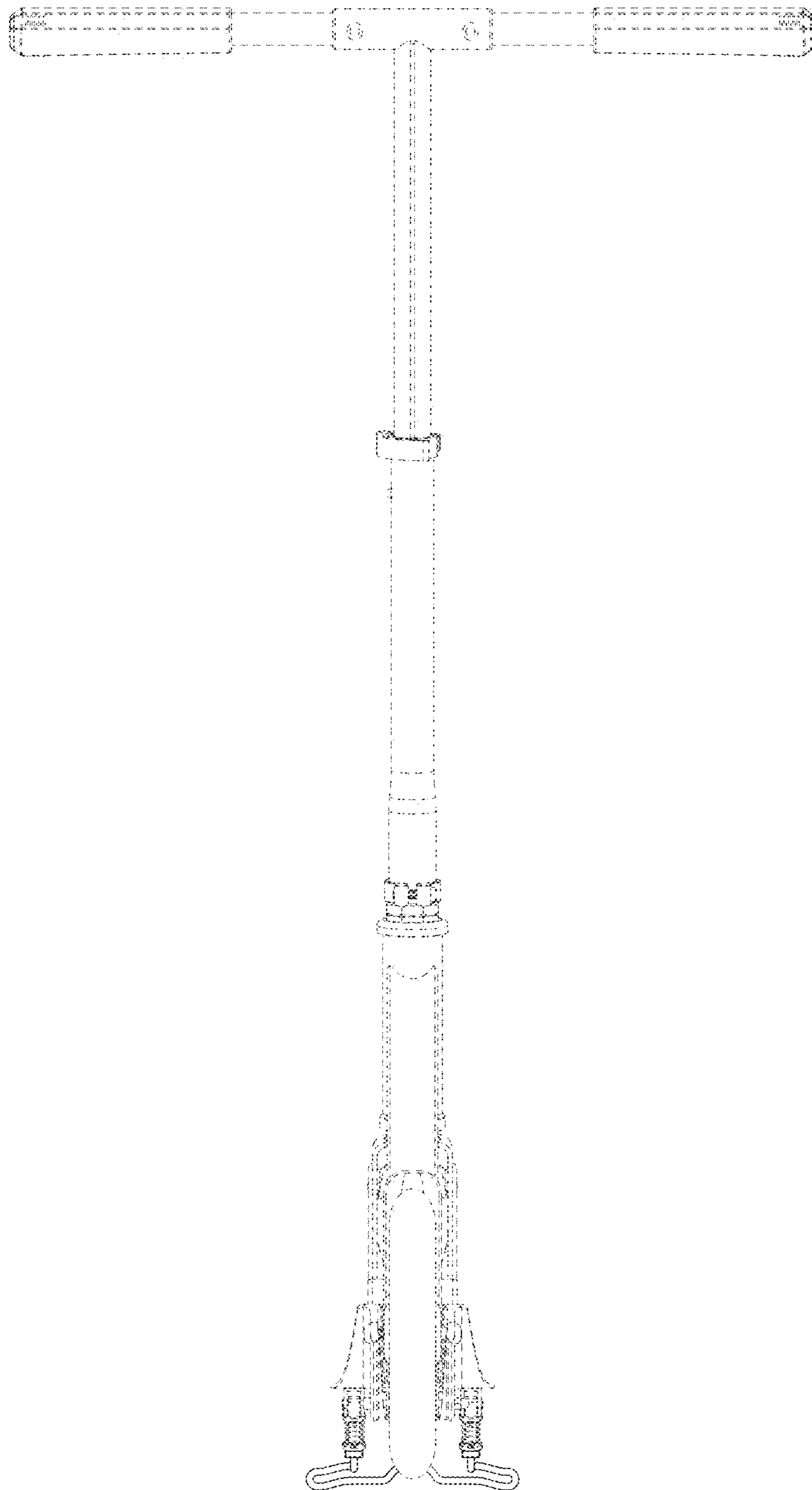


FIG. 7

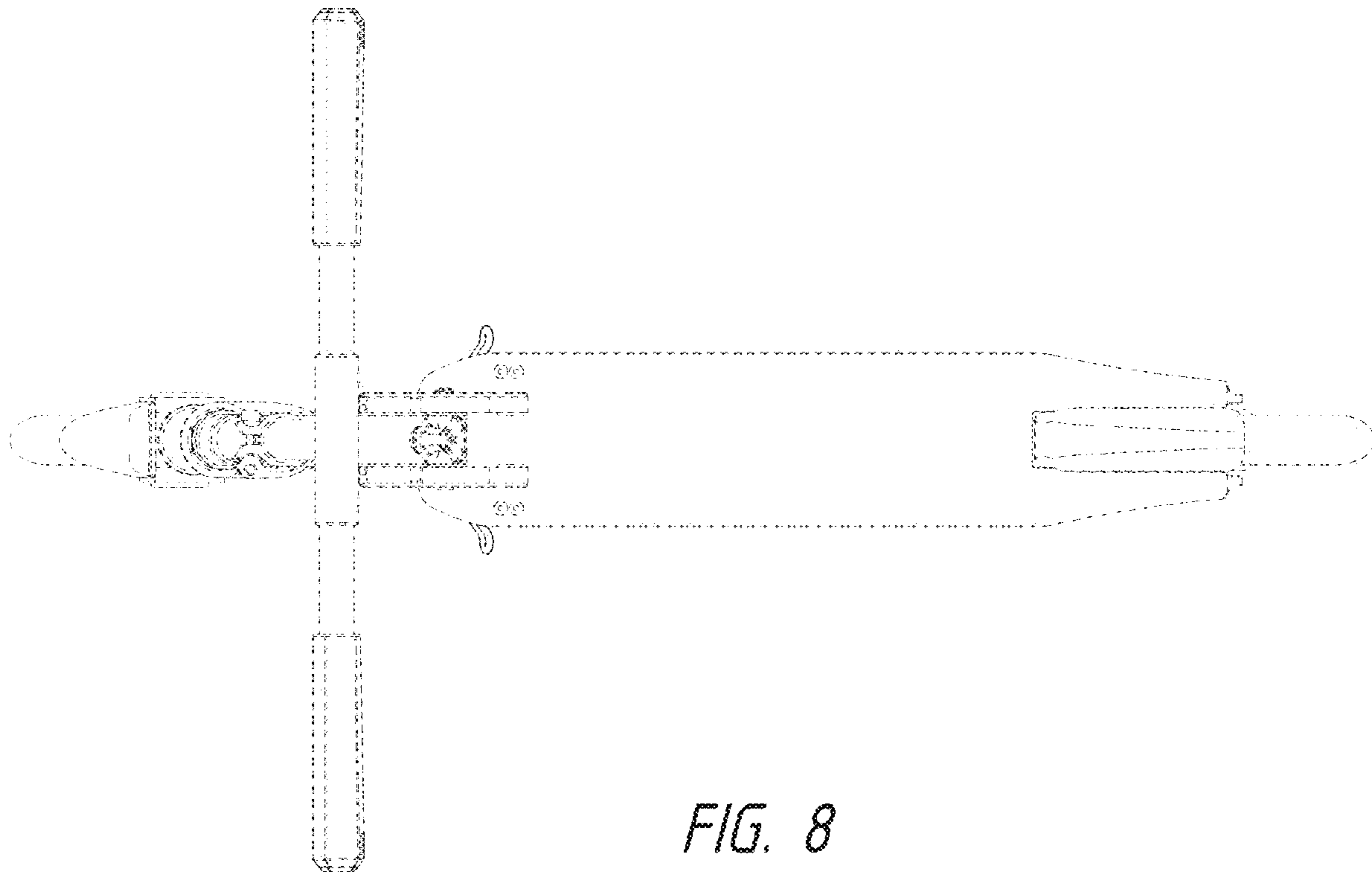


FIG. 8

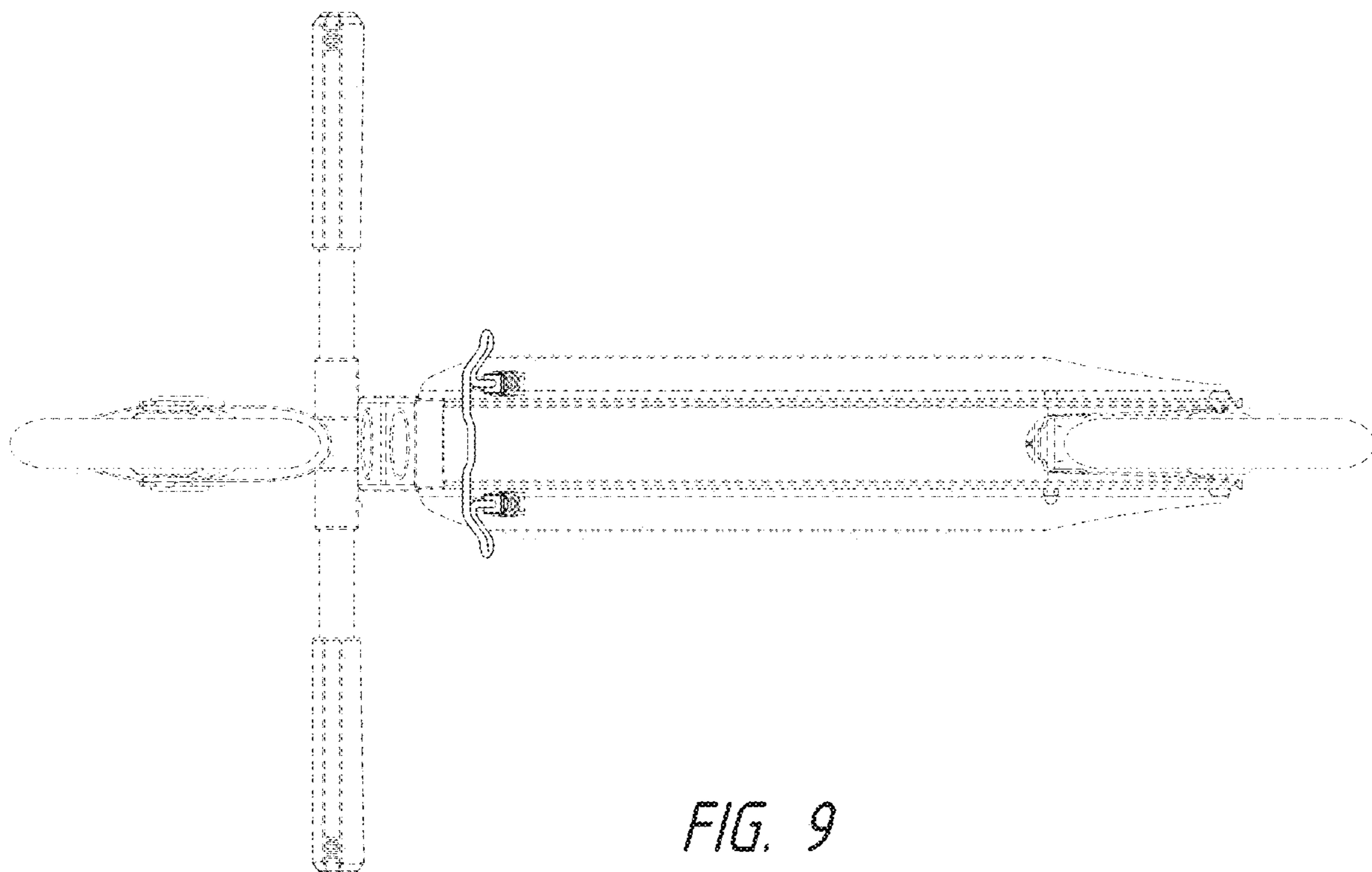


FIG. 9