



US00D978252S

(12) **United States Design Patent**
Petrucelli

(10) **Patent No.:** **US D978,252 S**

(45) **Date of Patent:** **** *Feb. 14, 2023**

- (54) **BUBBLE WAND**
- (71) Applicant: **A Sparrows Tale, LLC**, Woodbridge, NJ (US)
- (72) Inventor: **Joseph Petrucelli**, East Brunswick, NJ (US)
- (73) Assignee: **A Sparrows Tale, LLC**, Woodbridge, NJ (US)

- D357,500 S * 4/1995 Mutterperl D19/122
- D359,327 S * 6/1995 Gould D21/468
- D373,402 S * 9/1996 Williamson D21/672
- 6,098,571 A * 8/2000 Axelrod A01K 15/025
119/707
- D477,441 S * 7/2003 Willinger D21/713
- D489,494 S * 5/2004 Silvergate D21/713
- D514,263 S * 1/2006 Willinger D21/713
- D542,842 S * 5/2007 Schaaf D19/155

(Continued)

(*) Notice: This patent is subject to a terminal disclaimer.

(**) Term: **15 Years**

(21) Appl. No.: **29/716,507**

(22) Filed: **Dec. 10, 2019**

(51) **LOC (14) Cl.** **21-01**

(52) **U.S. Cl.**
USPC **D21/402**

(58) **Field of Classification Search**
 USPC D21/402, 410, 468, 470, 498, 552, 537,
 D21/447, 707-713; D30/121, 128, 160;
 D24/199; D19/122, 135; D11/17, 75,
 D11/130, 184; 119/706-711; 446/15
 CPC A63H 33/28; A63H 5/00; A63H 33/006;
 A63B 2043/001; A63B 43/00; A63B
 43/02; A63B 39/00; A61J 17/001; A61J
 9/0623; A01K 15/025; A01K 5/0114
 See application file for complete search history.

(56) **References Cited**

U.S. PATENT DOCUMENTS

- D136,581 S * 11/1943 Hagopian D21/402
- D139,940 S * 1/1945 Hagopian D21/402
- D233,358 S * 10/1974 Knot D21/402
- 4,180,938 A * 1/1980 La Fata A63H 33/28
446/15
- D304,466 S * 11/1989 Glickman D21/402
- D318,304 S * 7/1991 Neuroth D21/402

OTHER PUBLICATIONS

“Bubble Whishette Wands” posted on Apr. 15, 2020[Online],[Retrieved Sep. 28, 2021], retrieved from Internet: <https://twitter.com/asparrowstale/status/1250519712439717894>.*

(Continued)

Primary Examiner — Sandra Snapp

Assistant Examiner — Mehri Bajoul

(74) *Attorney, Agent, or Firm* — Cooper & Maersch LLC;
Lorri W. Cooper

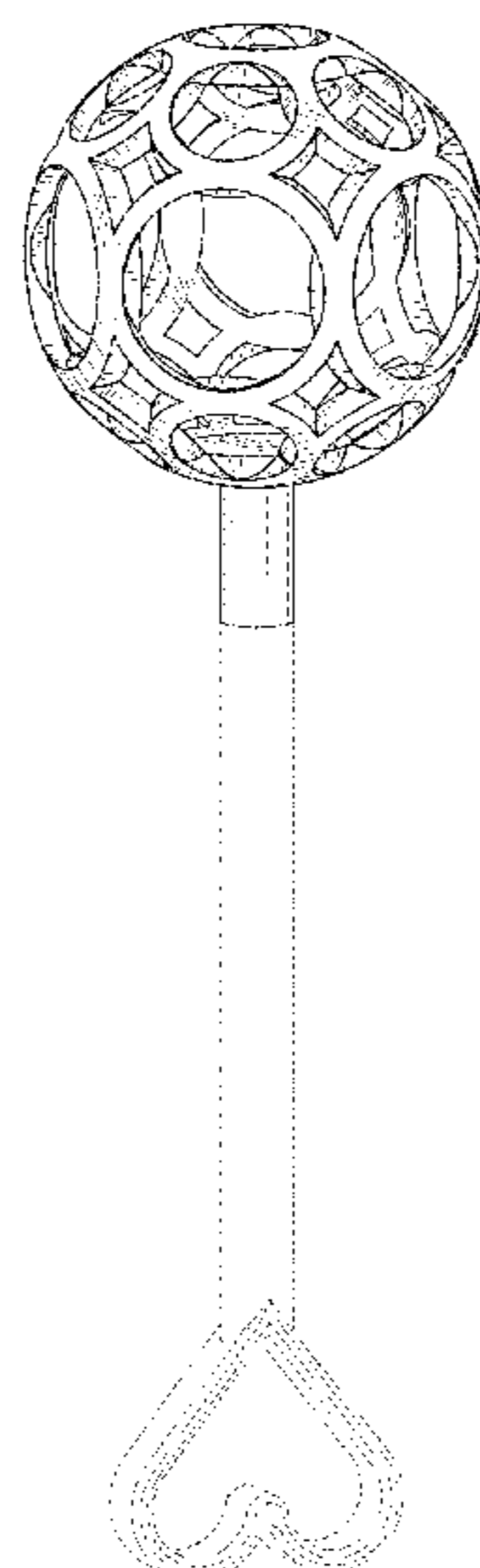
(57) **CLAIM**

The ornamental design for a bubble wand, as shown and described.

DESCRIPTION

FIG. 1 is a front elevational view of a bubble wand showing my new design;
 FIG. 2 is a front elevation view of the bubble wand of FIG. 1, the rear view being a mirror image thereof;
 FIG. 3 is a left elevation view of the bubble wand of FIG. 1, with the right-side view being a mirror image thereof;
 FIG. 4 is a top plan view thereof; and,
 FIG. 5 is a bottom plan view thereof.
 The evenly dashed lines in FIGS. 1-5 depict portions of the bubble wand that form no part of the claimed design. The dot-dash line is a boundary line and forms no part of the claim.

1 Claim, 2 Drawing Sheets



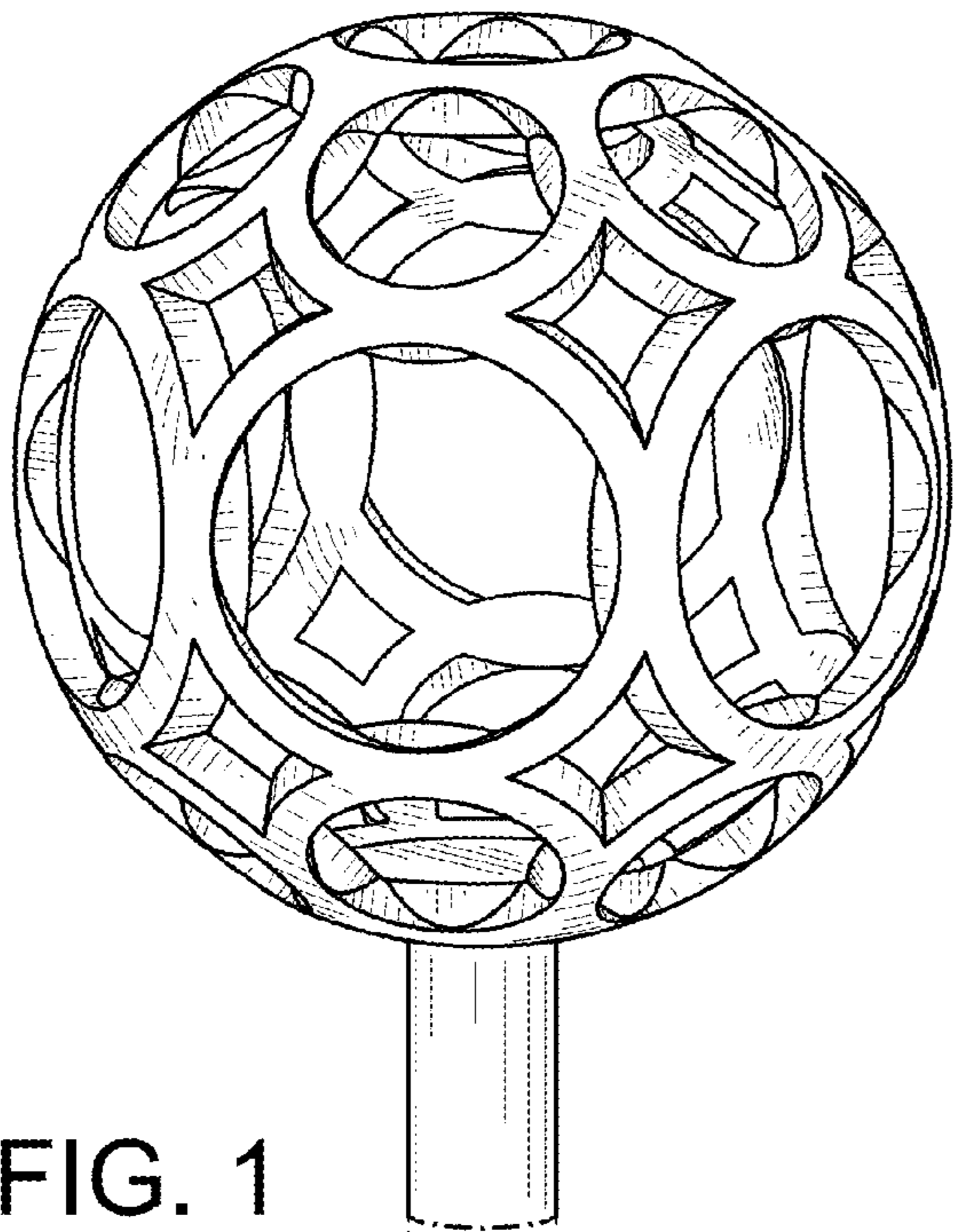


FIG. 1

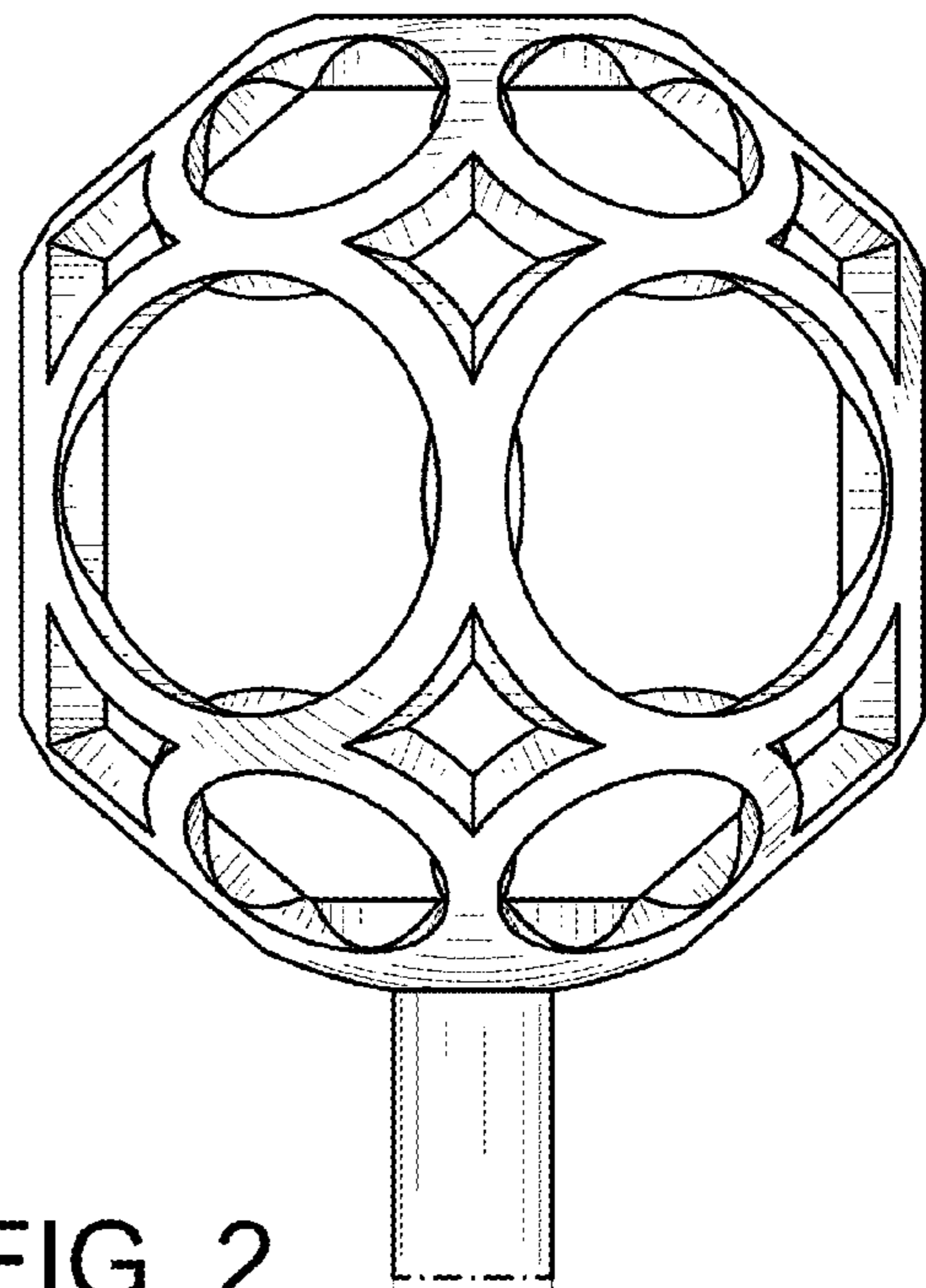


FIG. 2

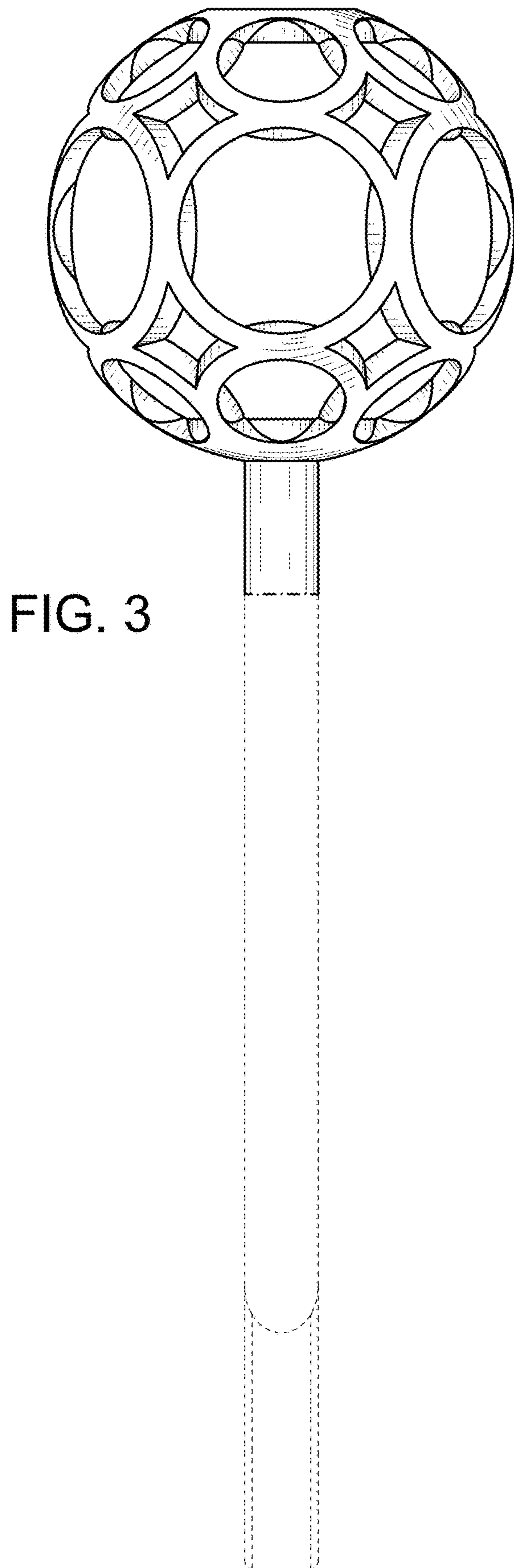


FIG. 3

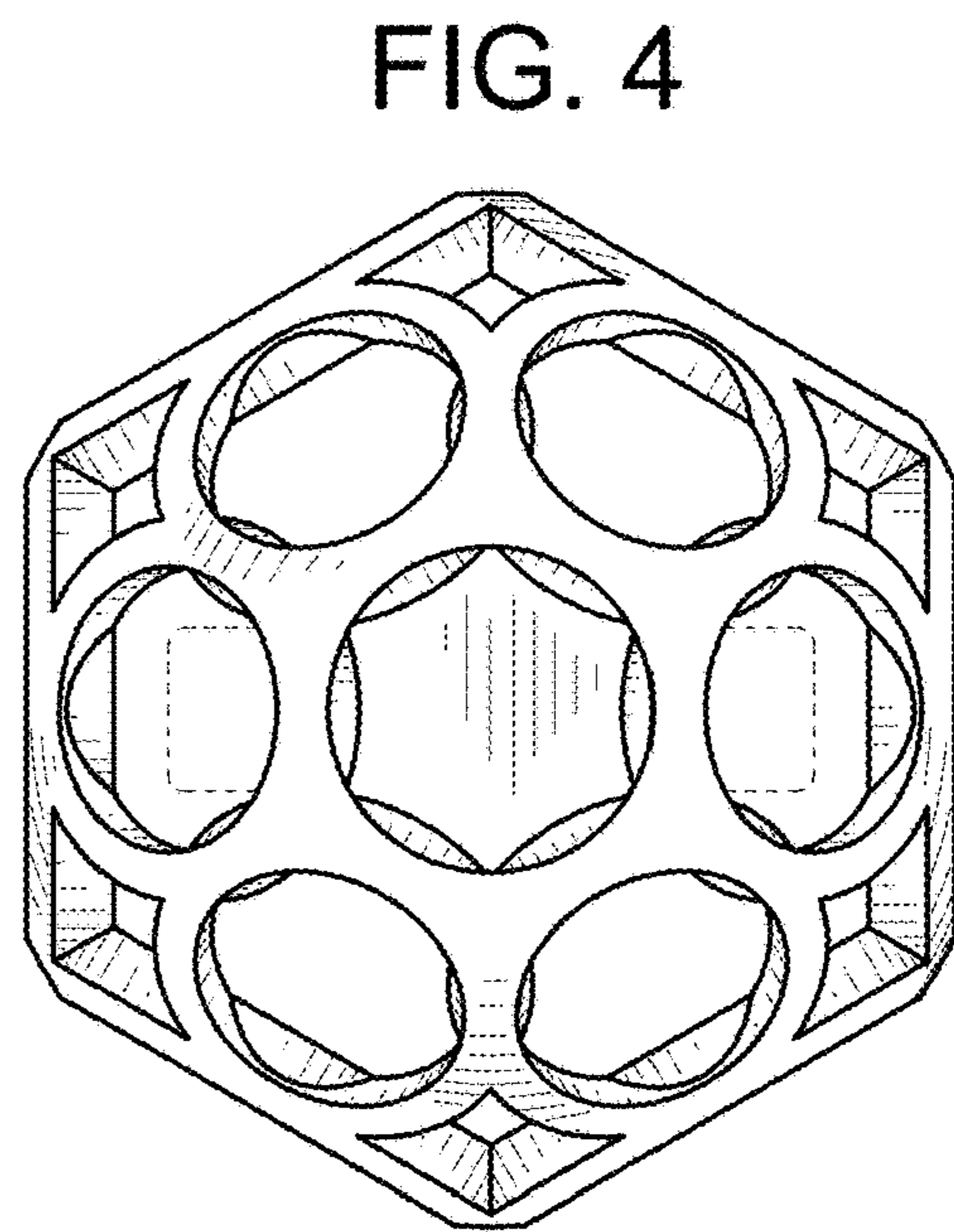


FIG. 4

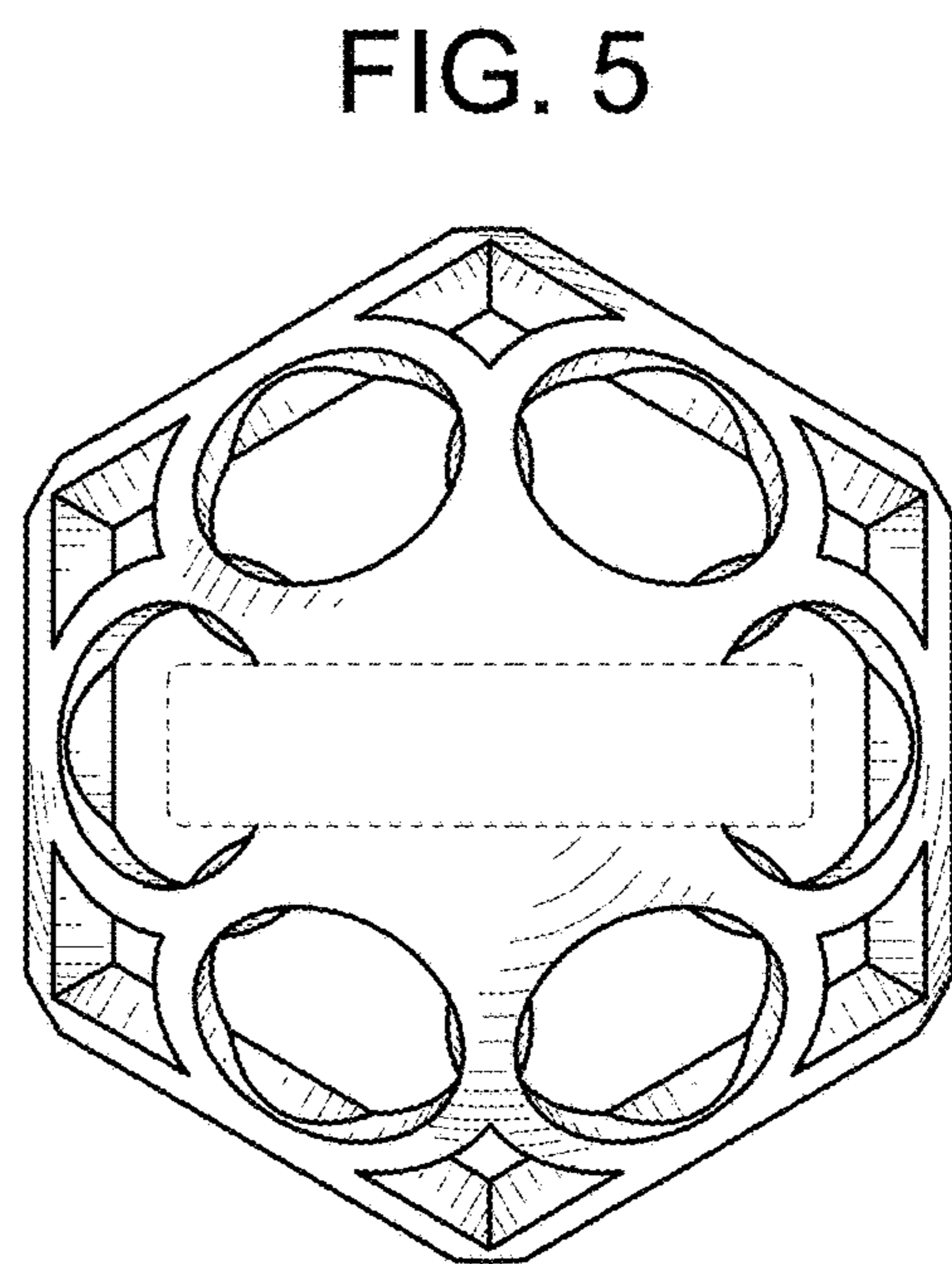


FIG. 5