



US00D978251S

(12) **United States Design Patent** (10) **Patent No.:** **US D978,251 S**
Zhang (45) **Date of Patent:** **** Feb. 14, 2023**

(54) **BUBBLE MACHINE**

OTHER PUBLICATIONS

(71) Applicant: **Xiongjun Zhang**, Shantou (CN)

Best Joy Bubble Machine for Toddlers, shown in www.amazon.com. Web. Mar. 21, 2022, ASIN B09P831GSB. (Year: 2022).*

(72) Inventor: **Xiongjun Zhang**, Shantou (CN)

* cited by examiner

(**) Term: **15 Years**

Primary Examiner — Gino Colan

(21) Appl. No.: **29/859,571**

Assistant Examiner — Gregory G McLemore

(22) Filed: **Nov. 11, 2022**

(74) *Attorney, Agent, or Firm* — Rumit Ranjit Kanakia

(51) **LOC (14) Cl.** **21-01**

(52) **U.S. Cl.**

(57) **CLAIM**

USPC **D21/401**

The ornamental design for a bubble machine, as shown and described.

(58) **Field of Classification Search**

USPC 446/15, 16, 20, 21, 161, 211, 267;

D21/401, 421, 572; D23/209, 333, 355,

D23/356, 359, 364, 366; 219/544;

237/78 R; 463/20, 31, 34

CPC . A63H 33/28; A63H 33/26; F24F 3/14; F24F

8/80; G03B 27/32; G03B 27/10

See application file for complete search history.

DESCRIPTION

FIG. 1 is a first perspective view of a bubble machine showing my new design;

FIG. 2 is a second perspective view thereof;

FIG. 3 is a front view thereof;

FIG. 4 is a back view thereof;

FIG. 5 is a left side view thereof;

FIG. 6 is a right side view thereof;

FIG. 7 is a top view thereof; and,

FIG. 8 is a bottom view thereof.

The broken lines shown in the drawings depict portions of the bubble machine that form no part of the claimed design.

(56) **References Cited**

U.S. PATENT DOCUMENTS

D896,894 S * 9/2020 Yang D21/401

D916,981 S * 4/2021 Yang D21/401

D944,897 S 3/2022 Chen

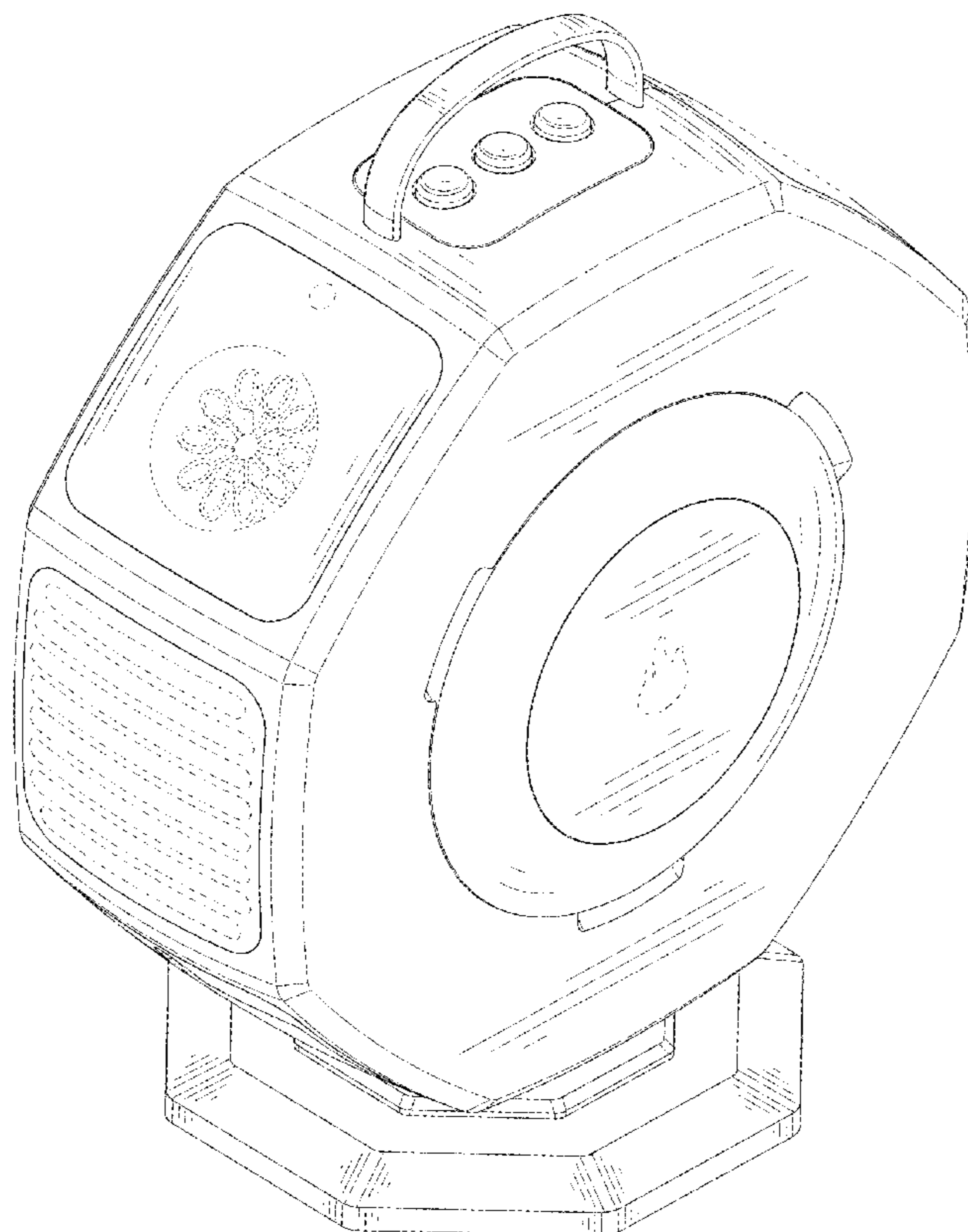
D947,951 S 4/2022 Chen

D962,350 S 8/2022 Ma

D963,051 S * 9/2022 Li D21/401

D964,472 S * 9/2022 Cai D21/401

1 Claim, 8 Drawing Sheets



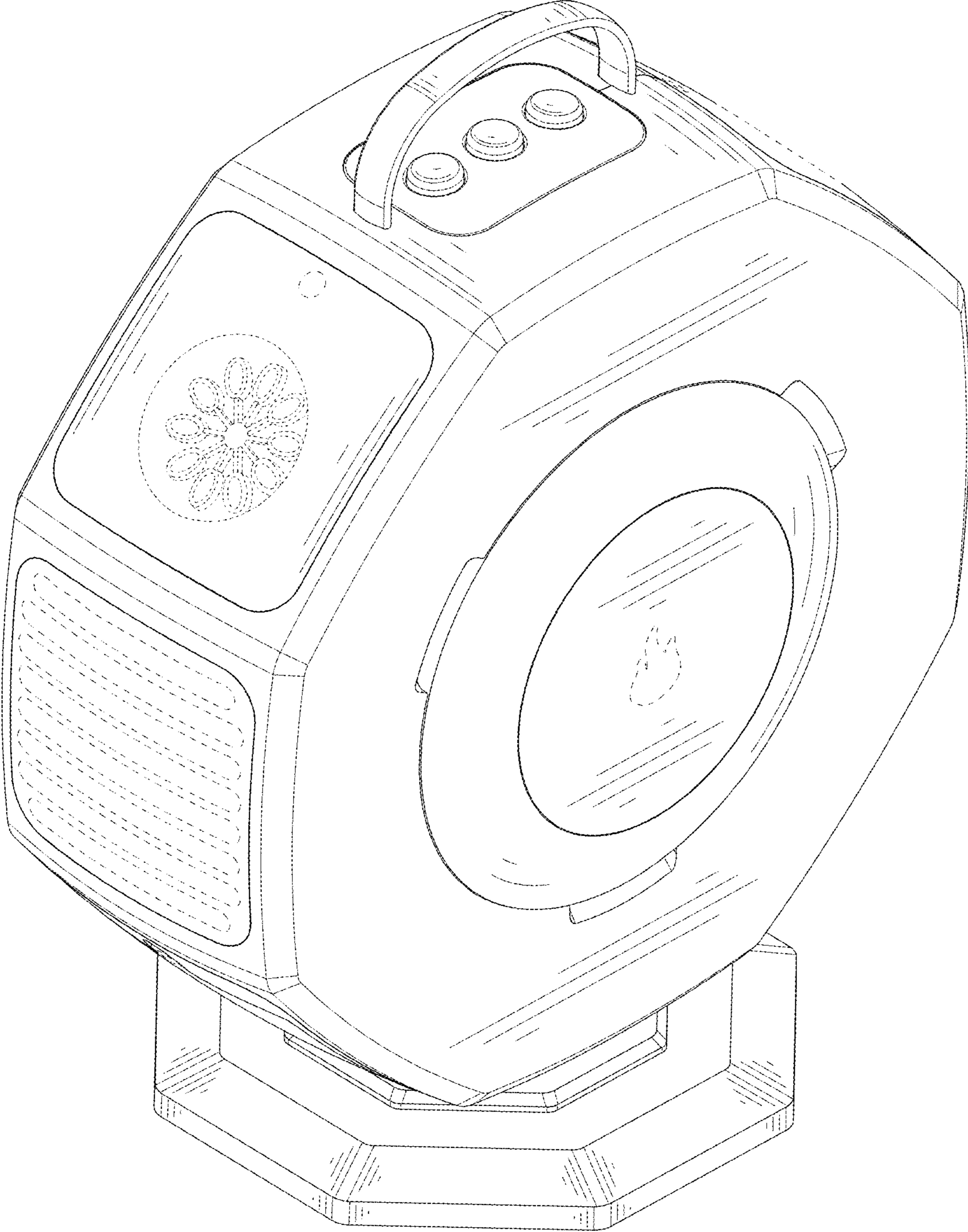


FIG. 1

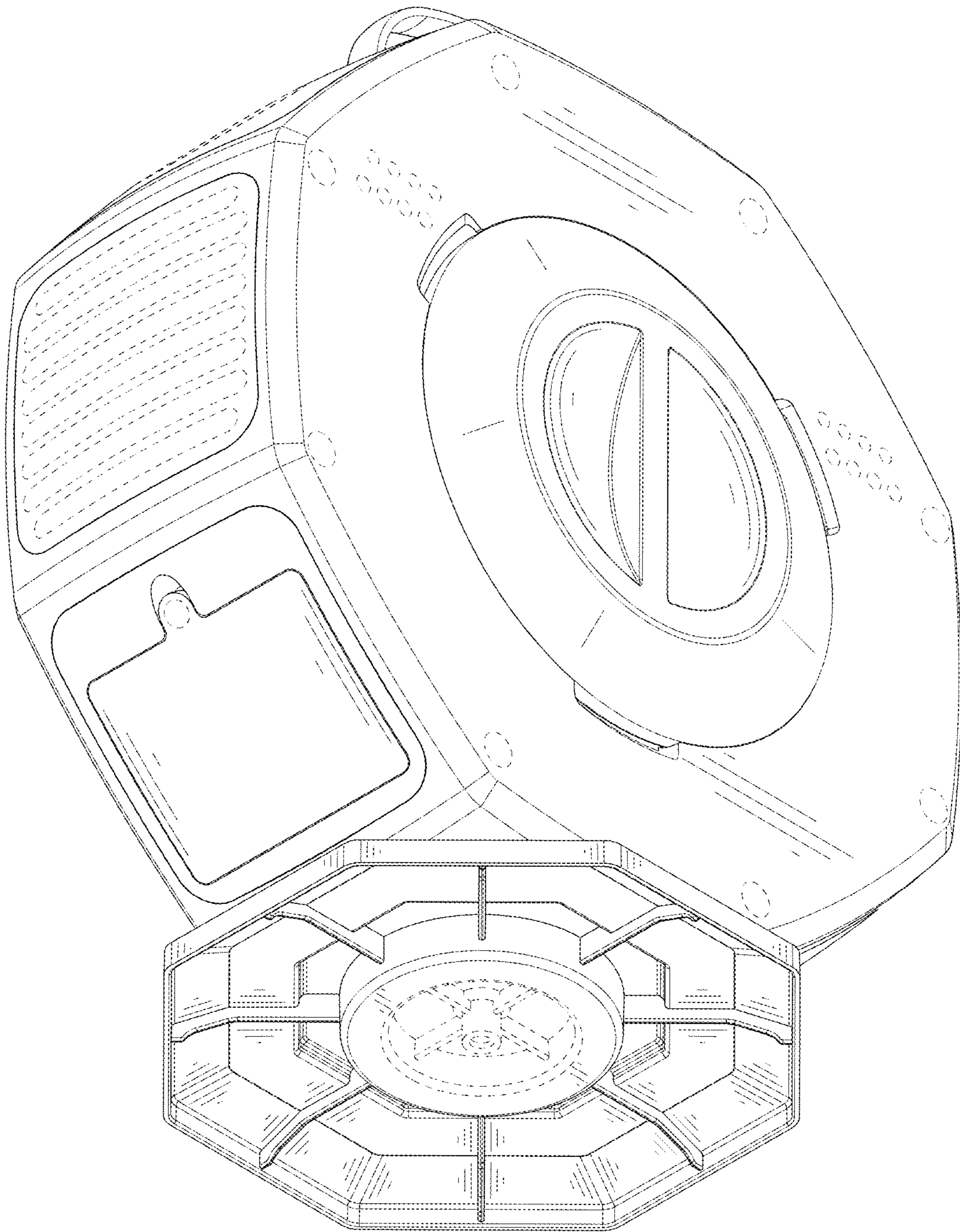


FIG. 2

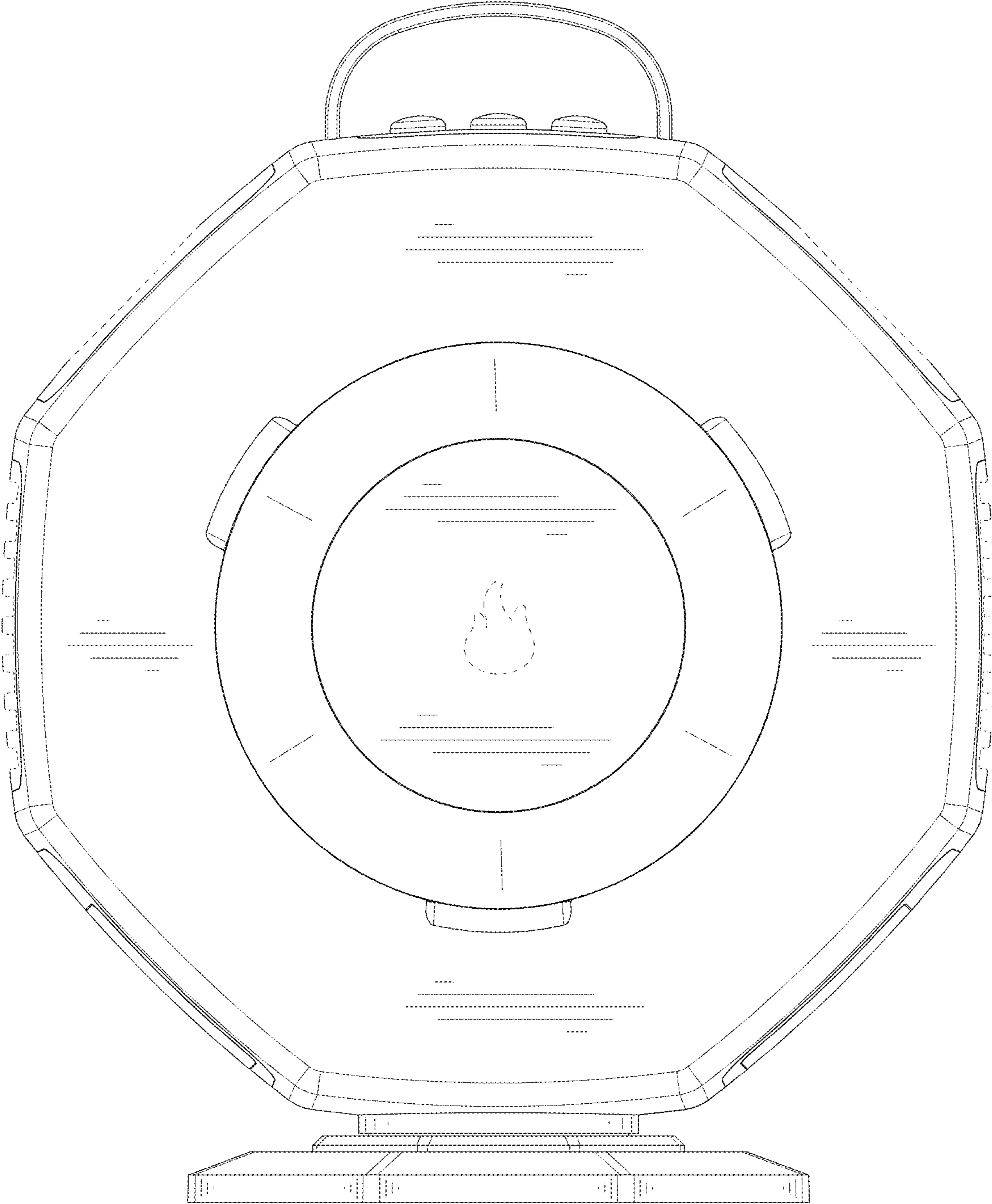


FIG. 3

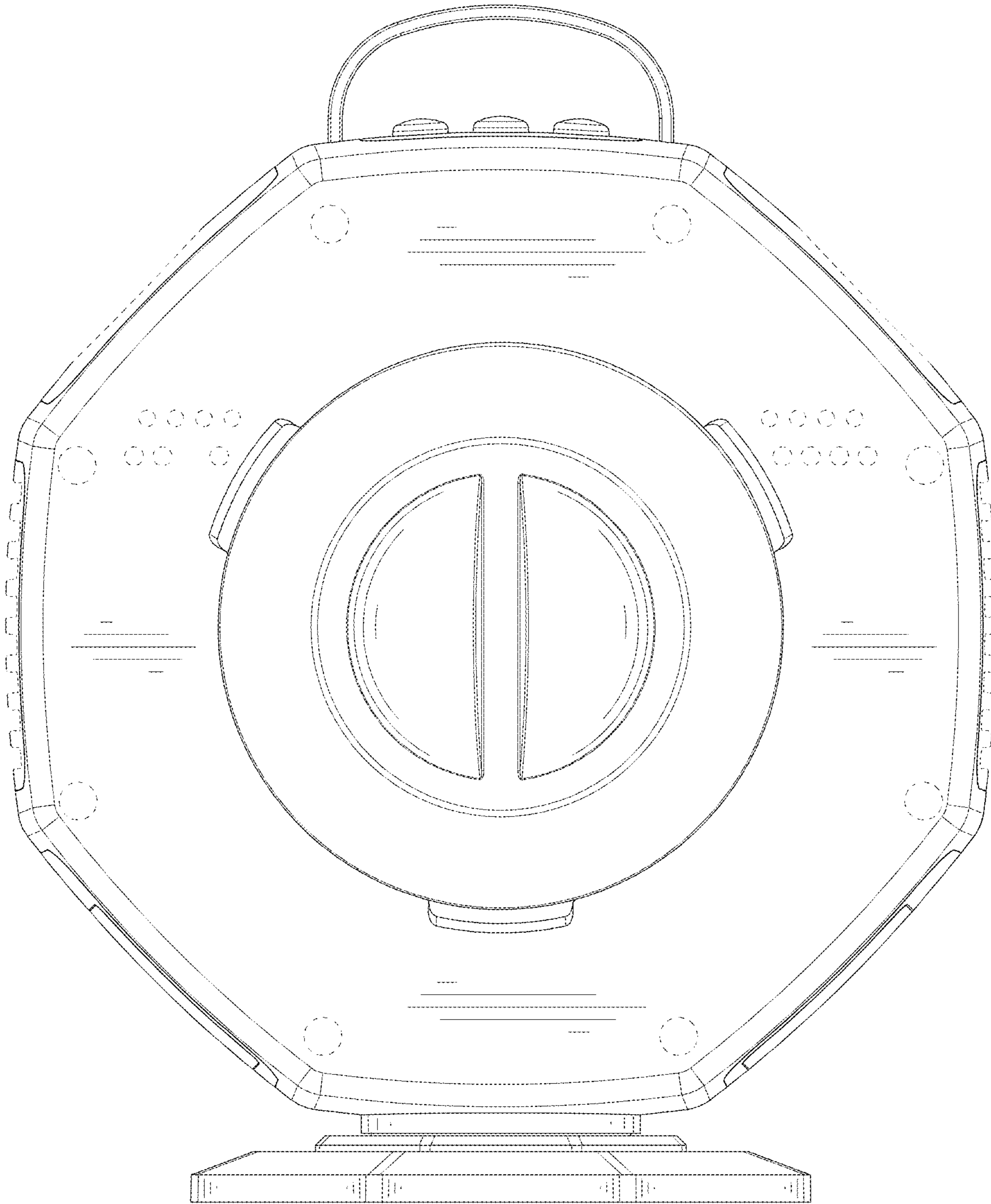


FIG. 4

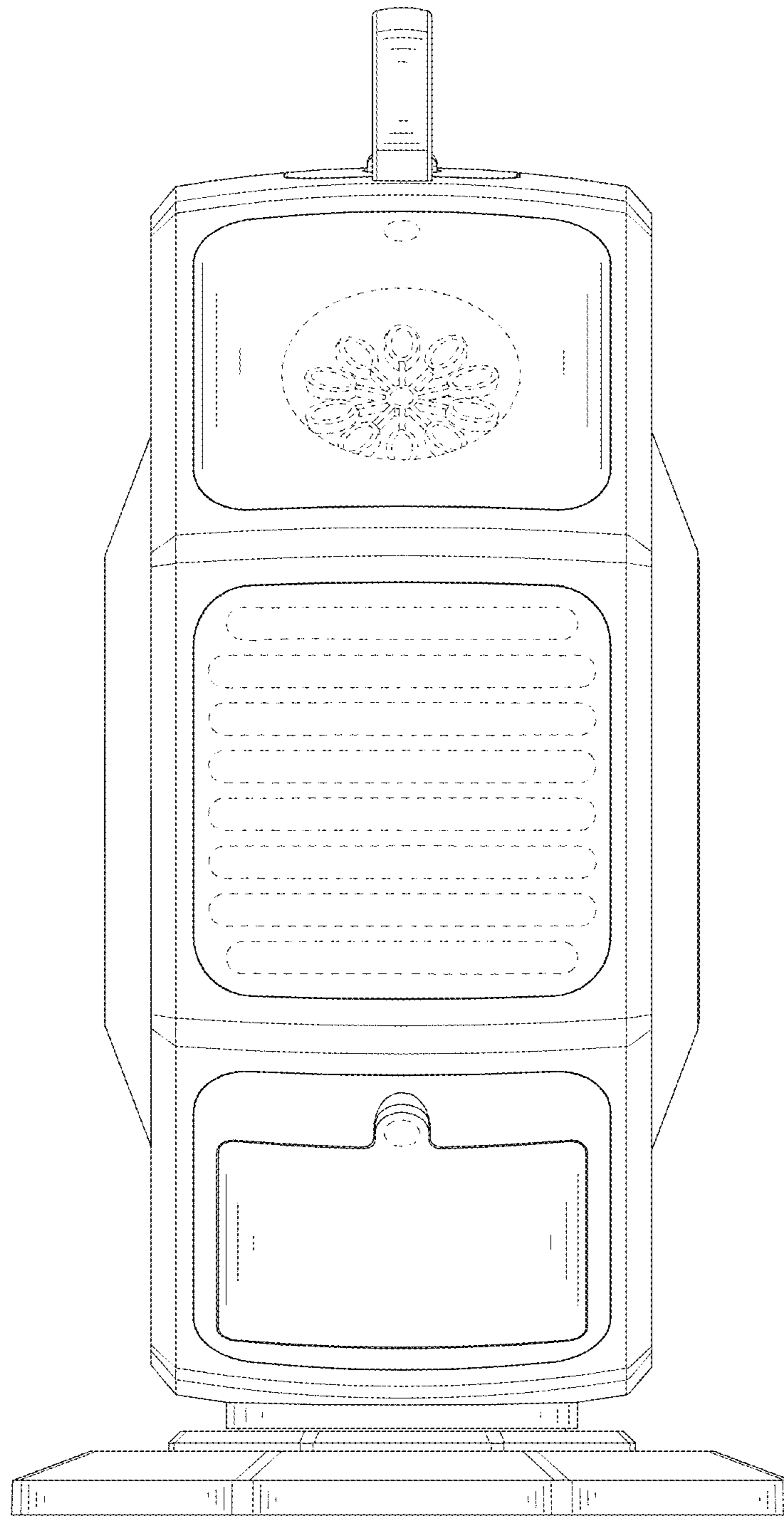


FIG. 5

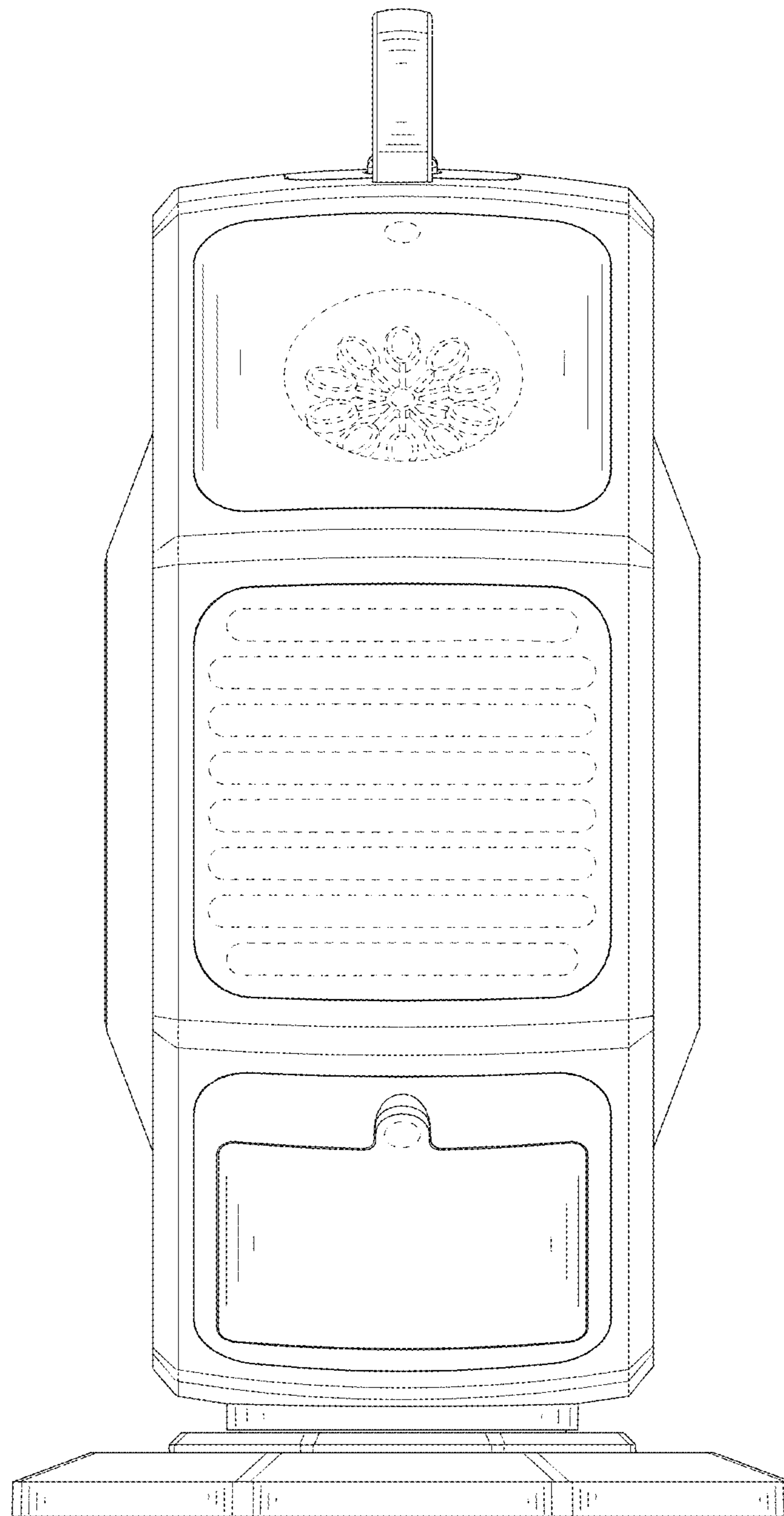


FIG. 6

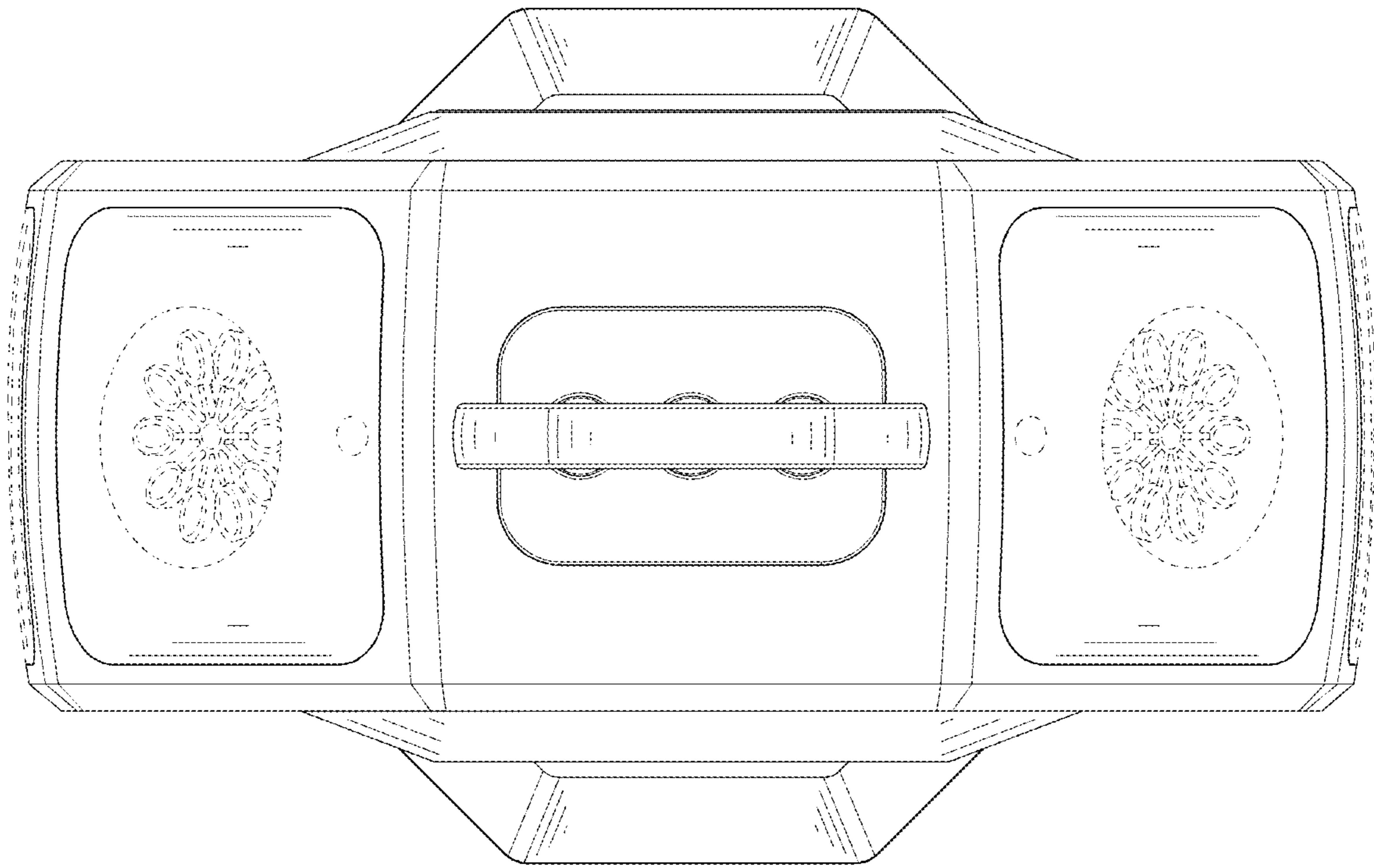


FIG. 7

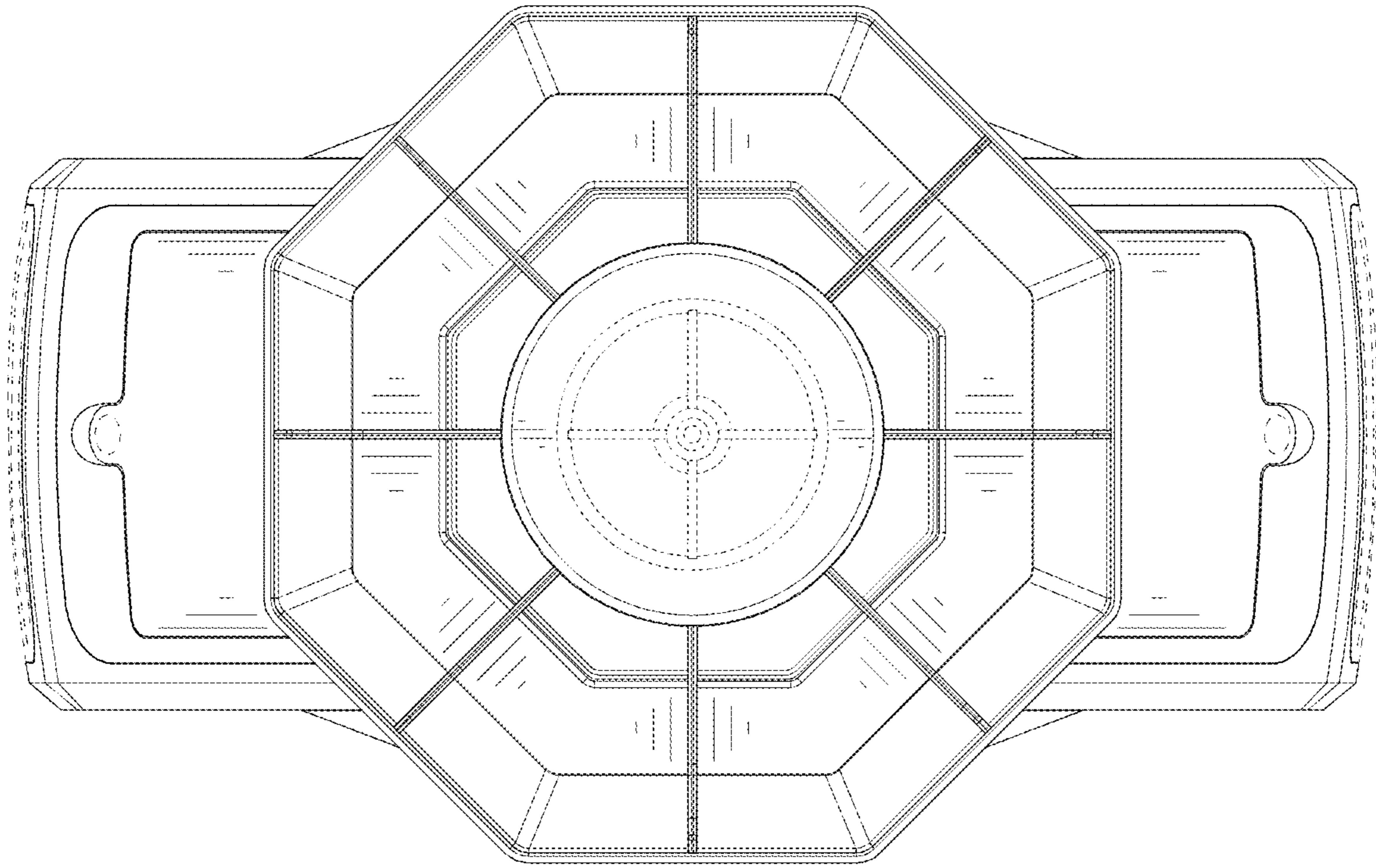


FIG. 8