

US00D978247S

(12) **United States Design Patent** (10) **Patent No.:** **US D978,247 S**
Li (45) **Date of Patent:** **** Feb. 14, 2023**

(54) **REMOTE CONTROLLER**
(71) Applicant: **SHANTOU FENGMA TOY INDUSTRY CO., LTD.**, Shantou (CN)
(72) Inventor: **Haibo Li**, Shantou (CN)
(73) Assignee: **SHANTOU FENGMA TOY INDUSTRY CO., LTD.**, Shantou (CN)
(**) Term: **15 Years**

D828,463 S *	9/2018	Xiao	D21/566
D839,969 S *	2/2019	Kim	D14/401
D847,815 S *	5/2019	Pang	D14/218
D864,312 S *	10/2019	Kim	D14/401
D875,180 S *	2/2020	Wang	D21/333
D885,497 S *	5/2020	Miller	D21/333
D892,115 S *	8/2020	Gan	D14/401
D898,130 S *	10/2020	Zhou	D21/566
D907,706 S *	1/2021	Yang	D21/333
D909,004 S *	1/2021	Brendel	D21/333
D931,386 S *	9/2021	Kim	D12/174
D953,439 S *	5/2022	Wang	D21/333
D958,253 S *	7/2022	Wang	D21/333

(21) Appl. No.: **29/774,112**
(22) Filed: **Mar. 15, 2021**
(51) **LOC (14) Cl.** **21-01**
(52) **U.S. Cl.**
USPC **D21/333**
(58) **Field of Classification Search**
USPC D21/324, 332-337, 566, 572-574, 328;
D14/217, 218, 356, 387, 388, 389, 400,
D14/401, 415, 418, 426-431, 443, 447,
D14/449, 450, 454, 455, 471, 474, 483,
D14/496, 511; D13/164, 168
CPC .. A63F 9/02; A63F 9/24; A63F 9/0291; A63F
9/0252; A63F 13/00; A63F 13/23; A63F
13/24; A63F 13/26; A63F 13/98; A63F
13/02; A63F 13/12; A63F 9/00; A63F
2300/00; A63F 2300/1031
See application file for complete search history.

OTHER PUBLICATIONS

“RC Car-4WD Rmote Control for Car” posted Oct. 13, 2022[Online], [retrieved Nov. 29, 2022]. Retrieved from Internet: <https://www.amazon.com/RC-Car-Remote-Control-Terrains/dp/B0BJ1WHJG7?th=1>.*

* cited by examiner

Primary Examiner — Mehri F Bajoul

(57) **CLAIM**

The ornamental design for a remote controller, as shown and described.

DESCRIPTION

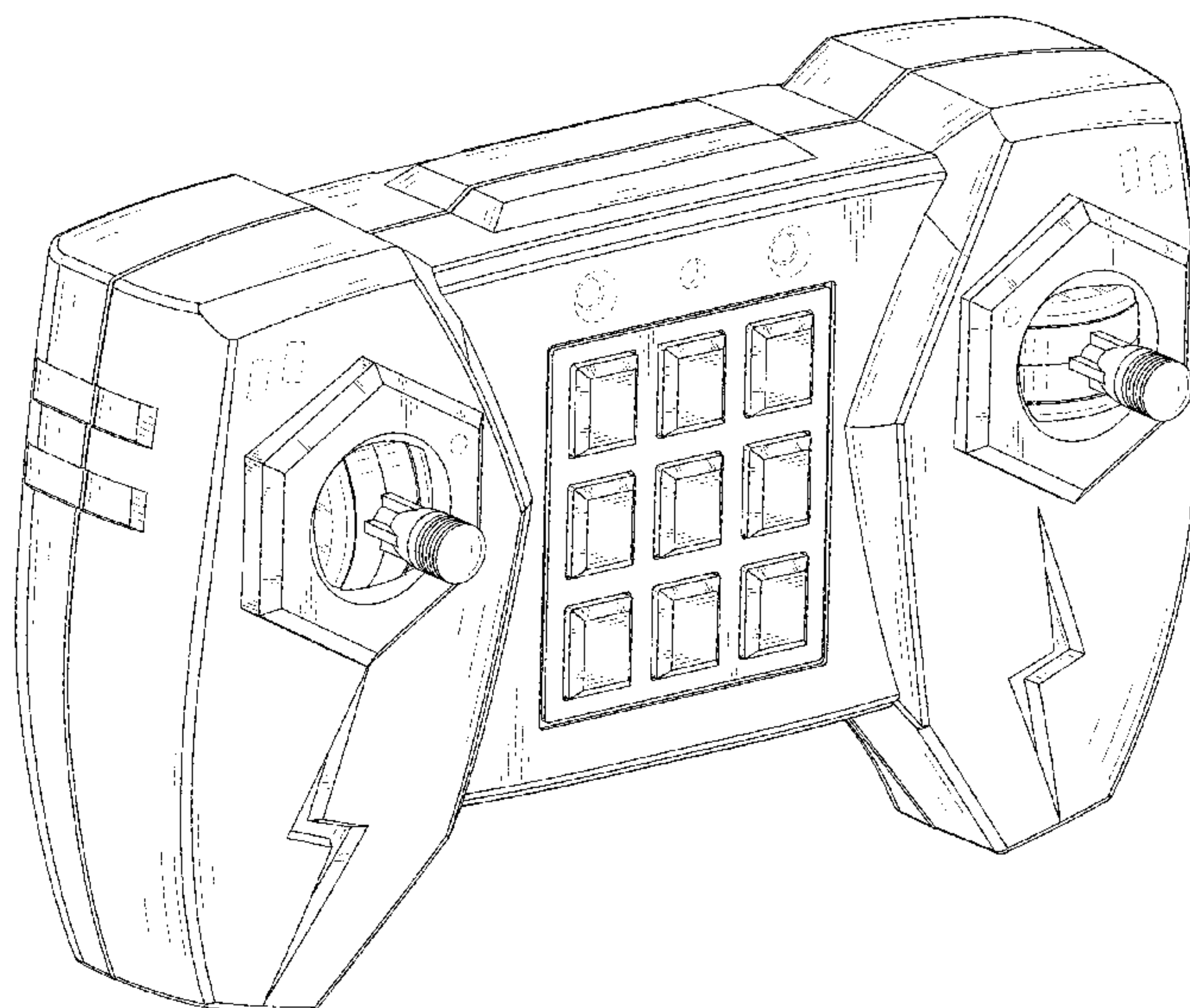
FIG. 1 is a perspective view of a remote controller showing my new design;
FIG. 2 is another perspective view thereof;
FIG. 3 is a front elevational view thereof;
FIG. 4 is a rear elevational view thereof;
FIG. 5 is a left side elevational view thereof;
FIG. 6 is a right side elevational view thereof;
FIG. 7 is a top plan view thereof; and,
FIG. 8 is a bottom plan view thereof.
The broken lines in the drawings depict portions of the remote controller that form no part of the claimed design.

1 Claim, 8 Drawing Sheets

(56) **References Cited**

U.S. PATENT DOCUMENTS

D456,050 S *	4/2002	Bao	D21/566
D478,590 S *	8/2003	Hussaini	D14/401
D546,904 S *	7/2007	Bowen	D21/566
D570,924 S *	6/2008	Wai	D21/566
D577,394 S *	9/2008	Wai	D21/566
D638,016 S *	5/2011	Ikeda	D14/401
D781,208 S *	3/2017	Li	D12/345
D815,094 S *	4/2018	Jiang	D14/398
D815,211 S *	4/2018	Buller	D21/333



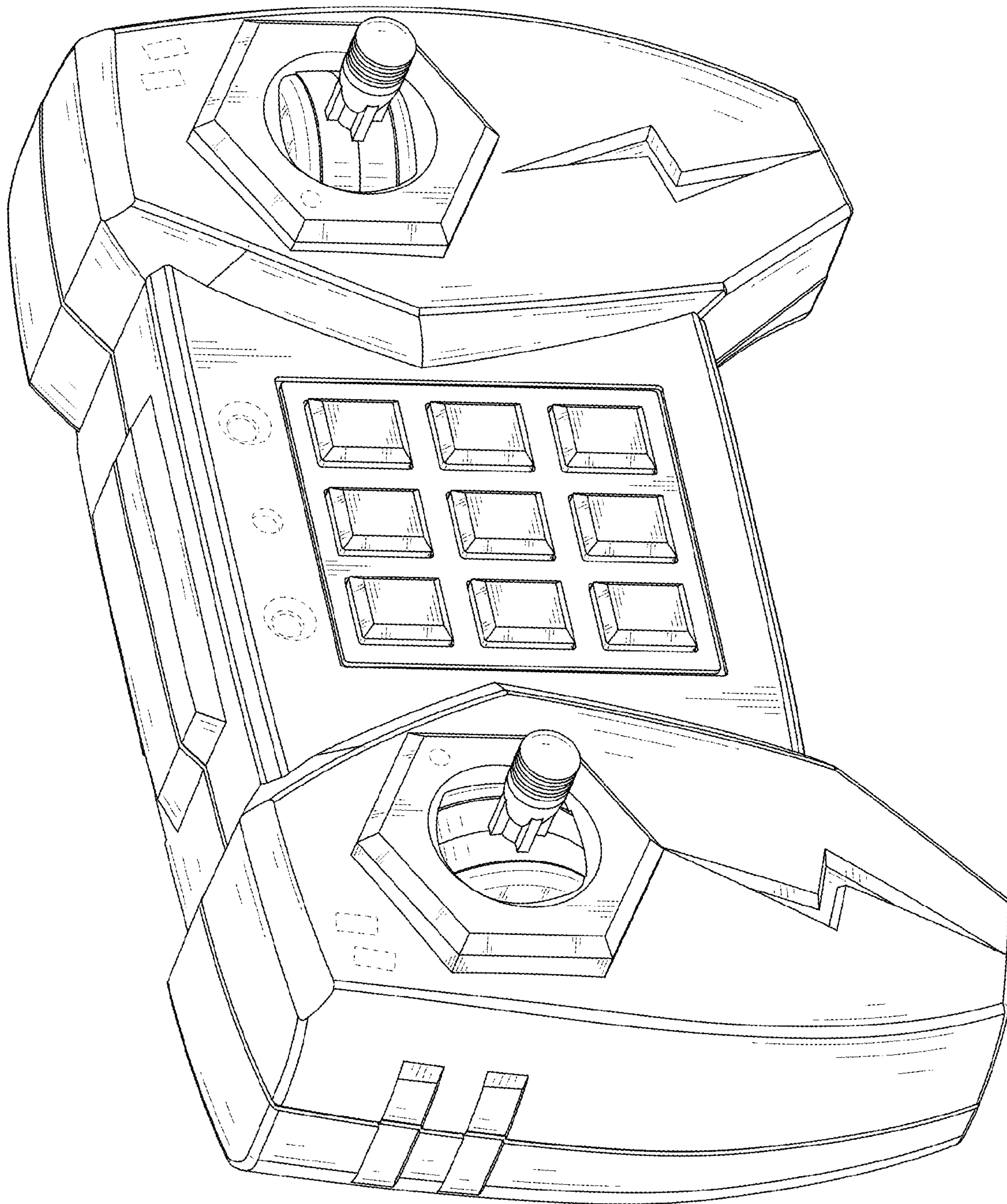


FIG. 1

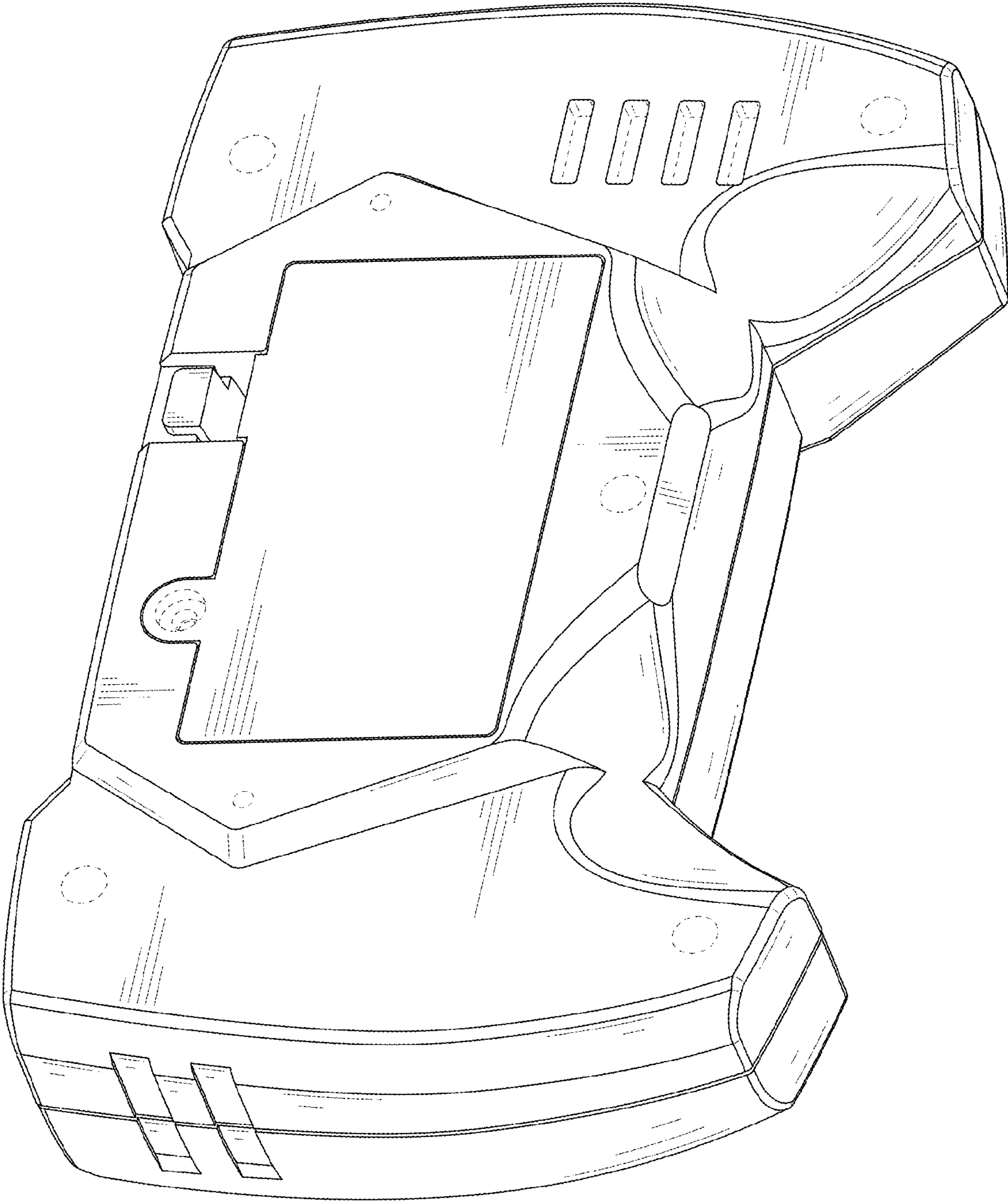


FIG. 2

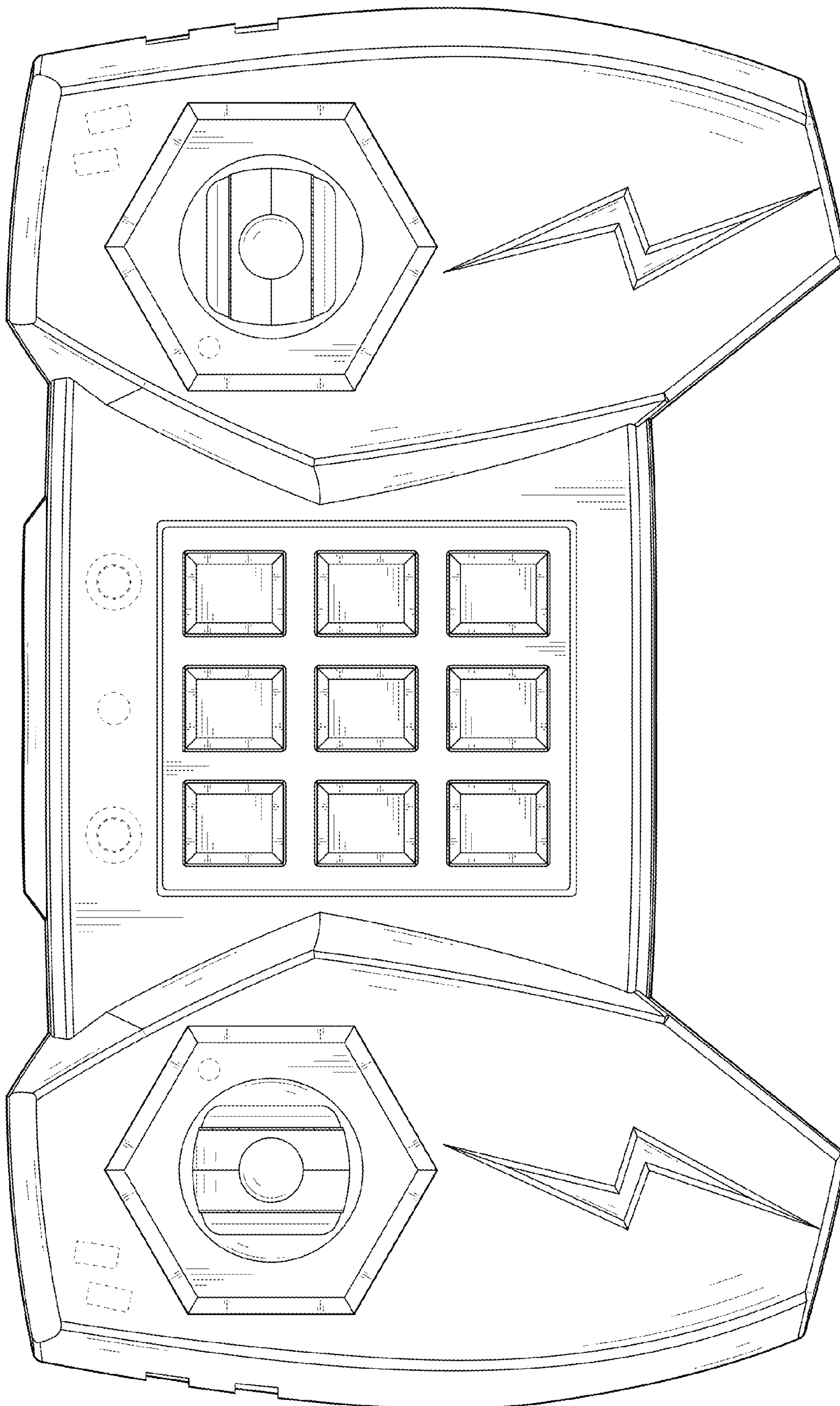


FIG. 3

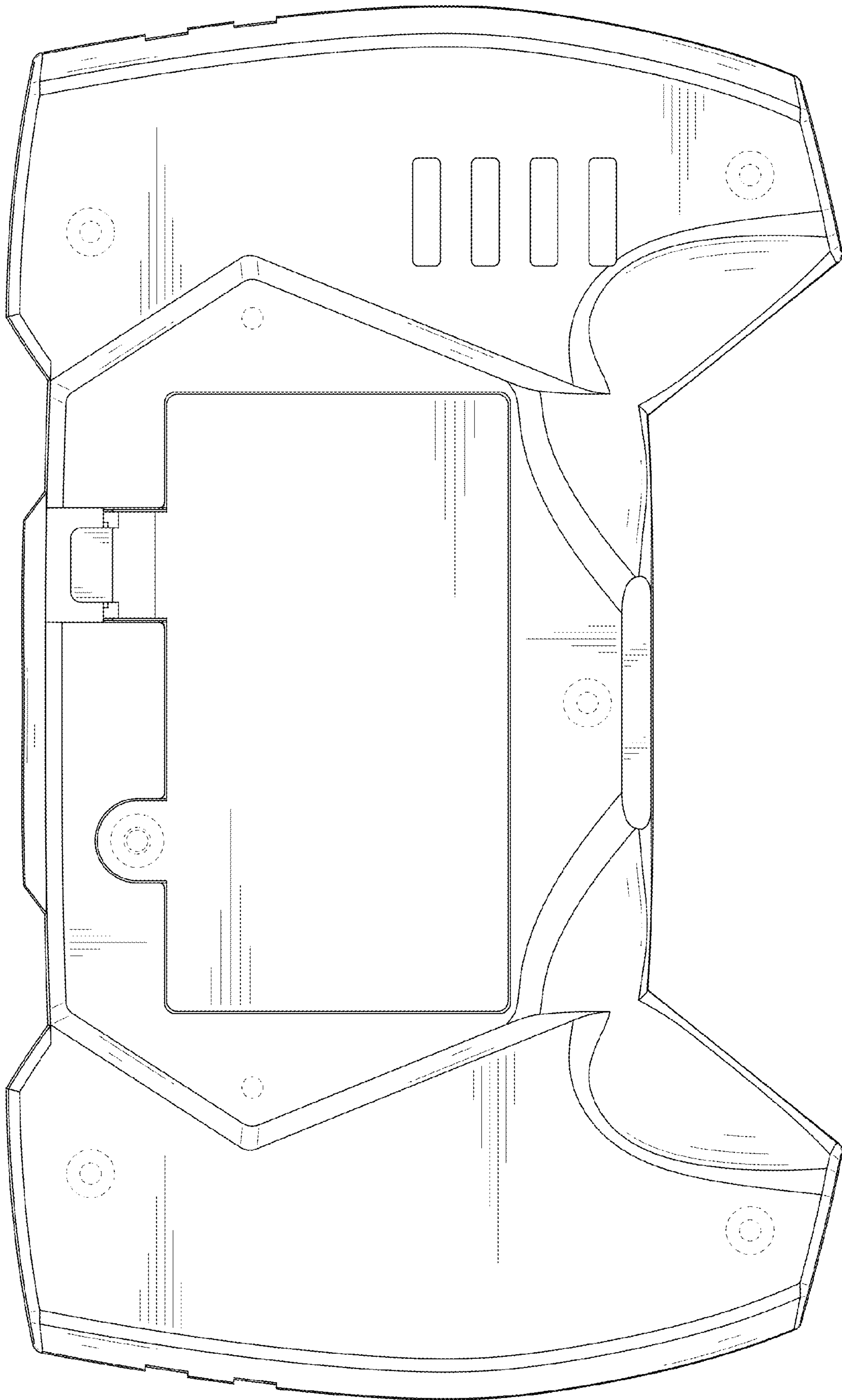


FIG. 4

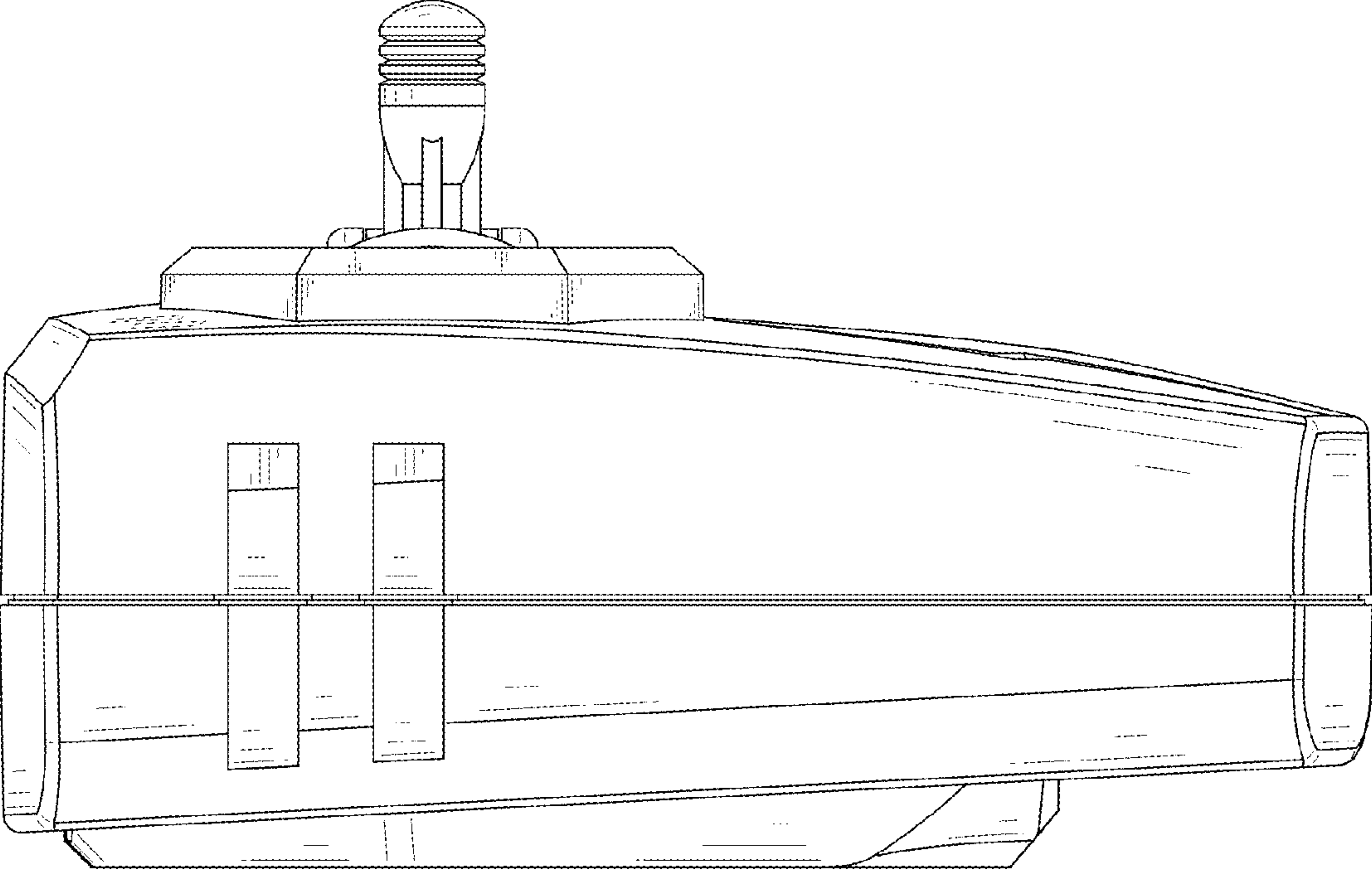


FIG. 5

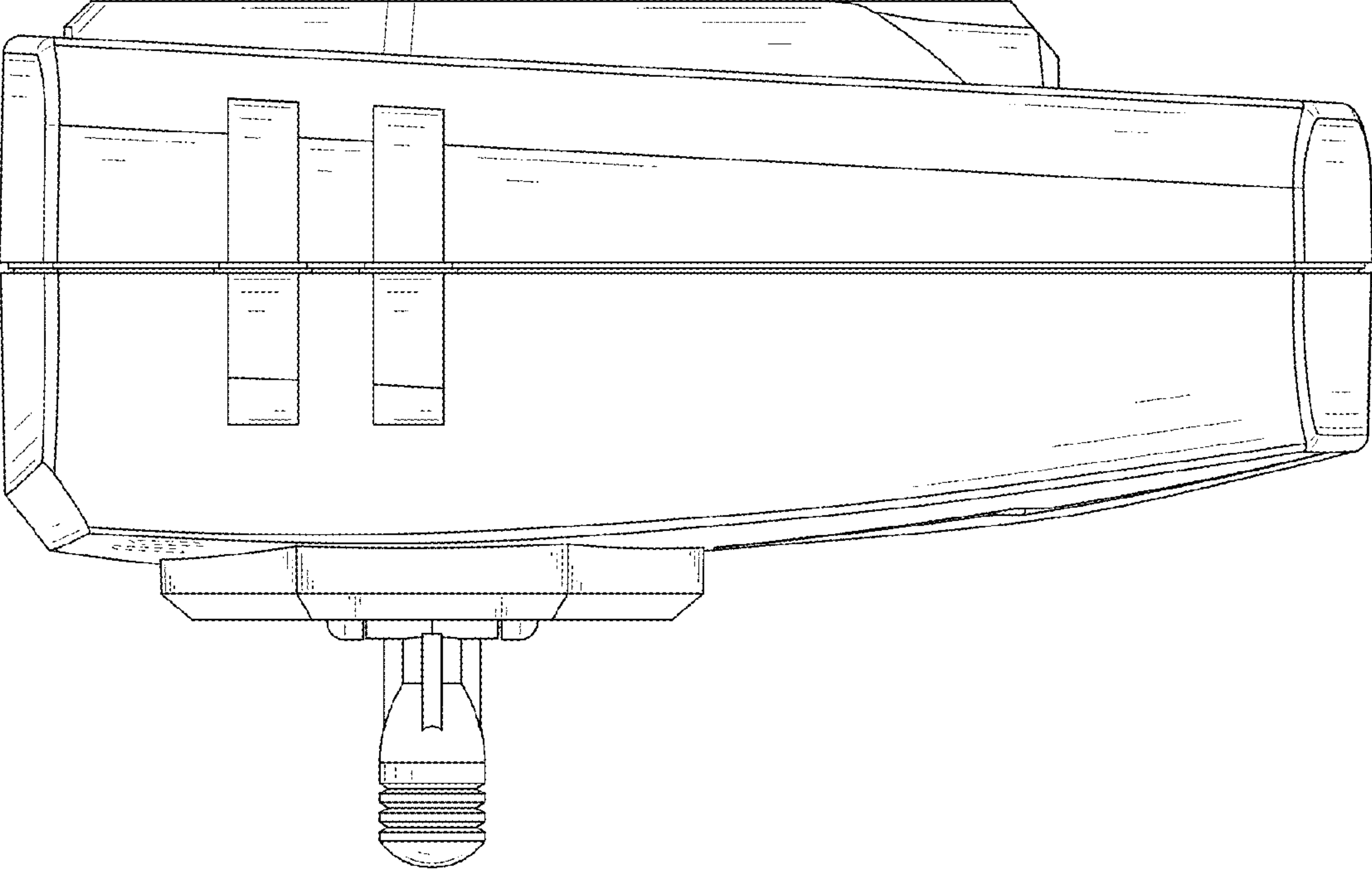


FIG. 6

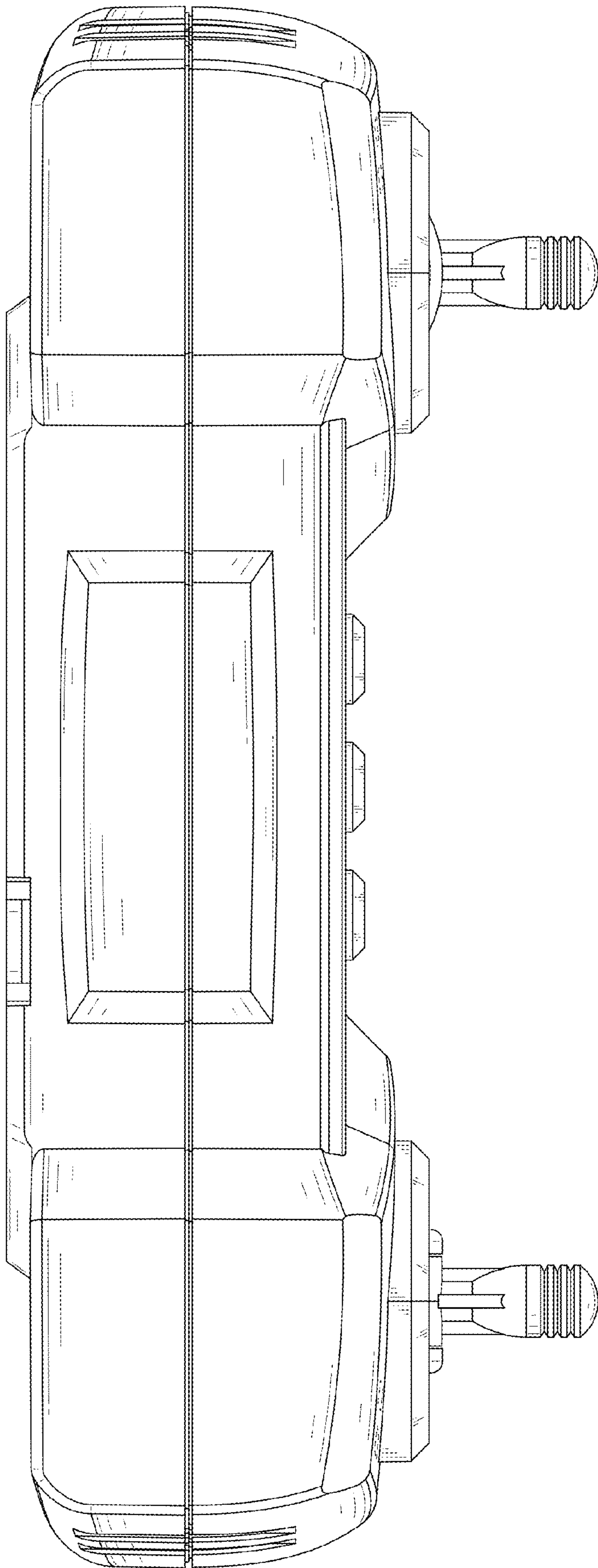


FIG. 7

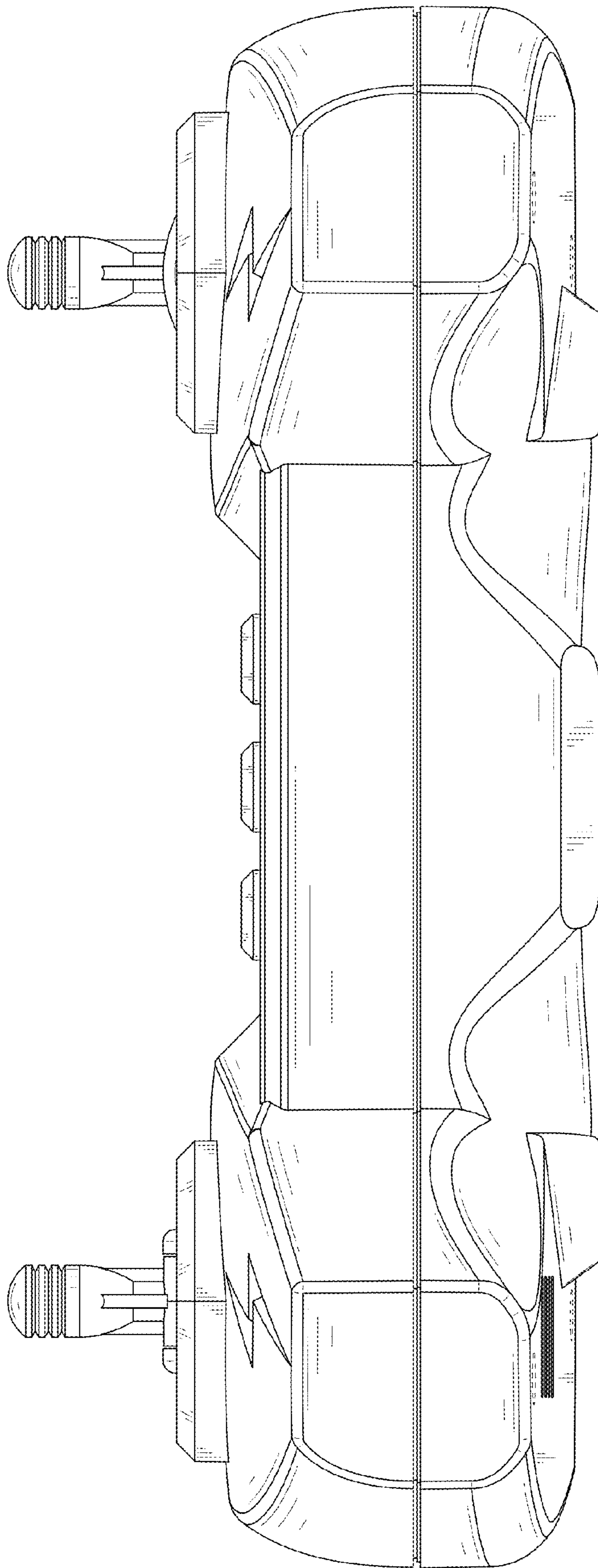


FIG. 8