



US00D978246S

(12) **United States Design Patent** (10) **Patent No.:** **US D978,246 S**
Turgel et al. (45) **Date of Patent:** **** Feb. 14, 2023**

(54) **GAMING MACHINE**

(56) **References Cited**

(71) Applicant: **Aristocrat Technologies Australia Pty Limited**, North Ryde (AU)

U.S. PATENT DOCUMENTS

(72) Inventors: **Ariel Turgel**, San Francisco, CA (US);
Daniel Harden, Palo Alto, CA (US);
Cheng-Fu Hsieh, Sunnyvale, CA (US);
Bruce Urban, Las Vegas, NV (US);
Dominic DeMarco, Round Rock, TX (US);
Timothy Barbour, Nolensville, TN (US);
Ryan Priddy, Franklin, TN (US);
William Lamb, Eagleville, TN (US);
Raquell Verri, Franklin, TN (US);
Ryan Slaybaugh, Nashville, TN (US);
James Vicain, Allen, TX (US)

D77,825	S	*	2/1929	Fey	D21/300
D139,949	S	*	1/1945	Haggstrom	D21/300
D245,359	S	*	8/1977	Wilke	D21/312
D344,296	S	*	2/1994	McKay	D21/326
5,310,152	A		5/1994	O'Neill		
D376,391	S	*	12/1996	Okumura	D21/326
5,676,231	A		10/1997	Legras		
D411,582	S	*	6/1999	Muraki	D21/325
5,993,317	A		11/1999	Majima		
D421,631	S	*	3/2000	Tsuda	D21/329
D460,915	S	*	7/2002	Lynch	D21/329
6,464,586	B1		10/2002	Kamata		
D467,977	S		12/2002	Gatto et al.		
6,530,842	B1		3/2003	Wells et al.		
6,749,515	B2		6/2004	Hedrick		
6,976,919	B2		12/2005	Cole		
7,044,423	B2		5/2006	Bober		
D537,482	S		2/2007	Gadda		
7,267,613	B2		9/2007	Cole		
7,533,762	B2		5/2009	Kuttel		
D594,068	S	*	6/2009	Hsu	D21/370
7,832,799	B2		11/2010	Davis, Jr.		
8,012,027	B2		9/2011	McGahn		
8,083,458	B2		12/2011	Wilkie		
8,113,517	B2		2/2012	Canterbury		
D658,721	S	*	5/2012	Yang	D21/370
8,210,949	B2		7/2012	Graf		
8,366,555	B2		2/2013	McGahn		
8,419,550	B2		4/2013	Anthony		
8,444,482	B2		5/2013	Aoki		
8,576,553	B2		11/2013	Myerchin		
D704,273	S	*	5/2014	Chudek	D21/369
D706,741	S	*	6/2014	Myers	D14/172
8,740,188	B1		6/2014	Foster		
8,747,225	B2		6/2014	Canterbury		
8,858,343	B2		10/2014	Filipour		
8,894,487	B2		11/2014	Granger		
8,986,109	B2		3/2015	Graf et al.		
D740,887	S	*	10/2015	Randazzo	D21/370
9,756,941	B1		9/2017	Rowland		
D802,676	S	*	11/2017	Steelman	D21/326
D808,467	S	*	1/2018	Huang	D21/369
9,858,750	B2		1/2018	Kovacs et al.		
D812,145	S	*	3/2018	Huang	D21/369
D818,048	S	*	5/2018	Calhoun	D21/369
D820,915	S	*	6/2018	Lee	D21/369
D833,535	S	*	11/2018	Lim	D21/370
D839,357	S	*	1/2019	Steelman	D21/369
D842,929	S	*	3/2019	Hung	D21/325

(73) Assignee: **Aristocrat Technologies Australia Pty Limited**, North Ryde (AU)

(**) Term: **15 Years**

(21) Appl. No.: **29/696,682**

(22) Filed: **Jun. 28, 2019**

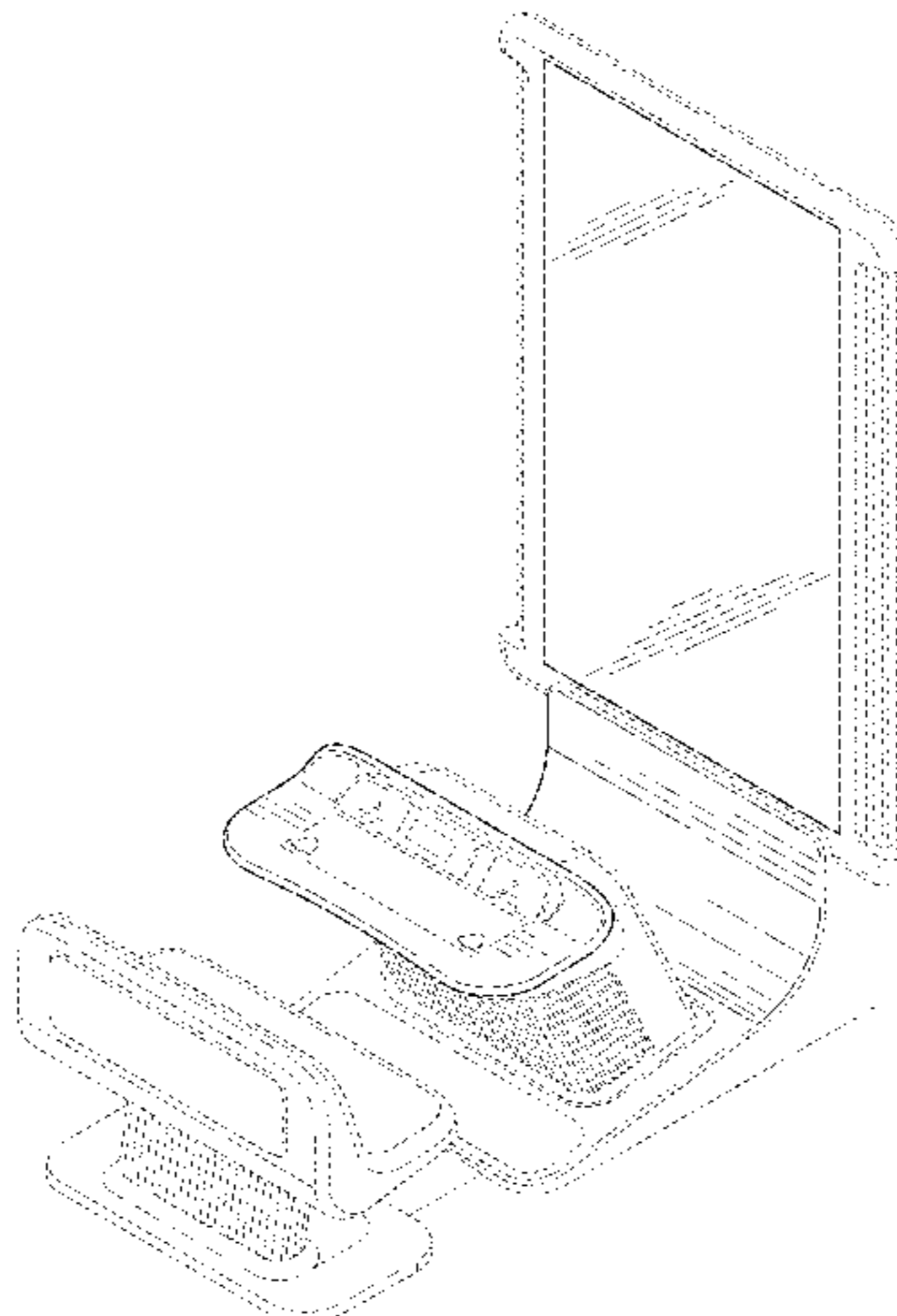
Related U.S. Application Data

(63) Continuation of application No. 29/658,892, filed on Aug. 3, 2018, now Pat. No. Des. 917,621.

(51) **LOC (14) Cl.** **21-01**

(52) **U.S. Cl.**
USPC **D21/324**

(58) **Field of Classification Search**
USPC D21/300, 323, 324, 325, 326, 327, 328,
D21/329, 330, 331, 332, 333, 334, 335,
D21/336, 337, 369, 370, 371, 372, 373,
D21/374, 385; D99/33, 34, 35, 36;
D14/125, 126, 133, 203.7, 203.8, 217,
D14/300, 301, 302, 305, 307, 334, 496,
D14/511
CPC G07F 17/3283; G07F 17/3204
See application file for complete search history.



D843,463 S *	3/2019	Castro	D21/369
D843,465 S	3/2019	Castro		
D843,472 S *	3/2019	Castro	D21/369
D843,476 S *	3/2019	Lesley	D21/369
D843,479 S *	3/2019	Castro	D21/369
D844,062 S *	3/2019	Lesley	D21/369
D847,905 S *	5/2019	Lewis	D21/369
D849,149 S	5/2019	Bussey		
10,287,148 B2	5/2019	Urban		
D852,890 S *	7/2019	Ross	D21/370
D864,305 S	10/2019	Ortiz De Viveiros		
10,445,977 B2	10/2019	Tovar		
D866,666 S	11/2019	Ditton		
D867,461 S *	11/2019	Huang	D21/369
D868,716 S	12/2019	Hodgson		
10,573,118 B2	2/2020	Goldstein		
D887,496 S	6/2020	Urban		
D889,546 S	7/2020	Jones		
D889,547 S	7/2020	Jones		
D890,848 S	7/2020	Johnson		
D905,172 S	12/2020	Boese		
D907,124 S	1/2021	Demarco		
D907,708 S	1/2021	Demarco		
D907,709 S	1/2021	Demarco		
D908,171 S	1/2021	Demarco		
D908,173 S	1/2021	Demarco		
D909,479 S	2/2021	Abele		
D909,491 S	2/2021	Demarco		
D910,119 S	2/2021	Demarco		
D910,763 S	2/2021	Demarco		
D911,724 S	3/2021	Waller et al.		
D911,992 S	3/2021	Stinson		
D913,379 S	3/2021	Calhoun		
D917,621 S	4/2021	Kaminkow		
D918,300 S	5/2021	Demarco		
D918,303 S	5/2021	Demarco		
D918,850 S	5/2021	Shim		
D918,852 S	5/2021	Shim		
D919,010 S	5/2021	Bussey		
D919,585 S	5/2021	Shim		
D919,586 S	5/2021	Lim		
D920,323 S	5/2021	Lee		
D921,762 S	6/2021	Hodgson		
2002/0198034 A1 *	12/2002	Wang	G07F 17/32 463/12
2005/0277477 A1	12/2005	Hajder		
2008/0087521 A1	4/2008	Cole		
2008/0113740 A1	5/2008	McGahn		
2008/0113768 A1	5/2008	Baerlocher		
2008/0254881 A1	10/2008	Lutnick et al.		
2009/0280911 A1	11/2009	Tsao		
2017/0039812 A1	2/2017	Baron et al.		
2018/0075707 A1	3/2018	Hirai et al.		
2019/0046872 A1	2/2019	Glenn, II et al.		
2019/0096161 A1	3/2019	Barbour		
2019/0096169 A1	3/2019	Tovar		
2019/0099000 A1	4/2019	Waller		

FOREIGN PATENT DOCUMENTS

AU	2001051810	A1	12/2001
CA	178255		11/2018
DE	001540212-0001		6/2009
DE	001540238-0001		6/2009
DE	002861336-0001		11/2015
EP	1778375		5/2007
JP	1101243		2/2001
JP	2002263262	A	9/2002
JP	1484230		10/2013
WO	2005094957	A1	10/2005

OTHER PUBLICATIONS

Office Action dated Mar. 25, 2020, for U.S. Appl. No. 29/658,892 (pp. 1-10).
Office Action dated Sep. 18, 2020 for U.S. Appl. No. 29/658,892 (pp. 1-5).

“Flappy Bird arcade cabinet will empty your wallet in record time”, Fingas, Jan. 10, 2015, retrieved from <https://www.engadget.com/2015/01/10/flappy-bird-arcade-cabinet/>.
“World’s Largest Pac-Man Game Overview”, Bandai Namco, Jul. 11, 2016, retrieved from https://www.youtube.com/watch?time_continue=54&v=4GqS9TTecGc.
“Ice Debuts Shell Game Addition To Price Is Right Redemption Lineup”, Montano, Jun. 5, 2011, retrieved from <https://www.vendingtimes.com/articles/ice-debuts-shell-game-addition-to-price-is-right-r-8412?id=5FF3782D18934396BD83A14B3BD1E0BC>.
“SD Ped pro”, Xtension, Sep. 28, 2014, retrieved from <http://www.xtensiongaming.com/products/xtension-sit-down-pedestal-arcade-cabinet-for-fight-sticks/attachment/sd-ped-pro/>.
“Incredible Technologies Details Golden Tee Live 2012”, Arcadehero, Aug. 25, 2011, retrieved from <http://arcadeheroes.com/2011/08/25/incredible-technologies-details-golden-tee-live-2012/>.
“Novomatic to showcase latest products at Peru Gaming Show”, Jun. 2, 2016, retrieved from <http://www.innovategaming.com/c63114>.
“Introductie Fazi Roulette”, Elam Group, Jun. 10, 2018, retrieved from <https://www.youtube.com/watch?v=RLrFI5QDT5U>.
Notice of Allowance dated Dec. 31, 2020 for U.S. Appl. No. 29/658,892 (pp. 1-5).
Office Action dated Apr. 29, 2021 for U.S. Appl. No. 16/867,290 (pp. 1-12).
Notice of Allowance dated Jul. 8, 2021 for U.S. Appl. No. 29/768,121 (pp. 1-10).
Notice of Allowance dated Aug. 5, 2021 for U.S. Appl. No. 16/867,290 (pp. 1-7).
Notice of Allowance dated Nov. 1, 2021 for U.S. Appl. No. 16/867,290 (pp. 1-7).

* cited by examiner

Primary Examiner — Mehri F Bajoul
(74) Attorney, Agent, or Firm — McAndrews, Held & Malloy, Ltd.

(57) CLAIM

The ornamental design for a gaming machine, as shown and described.

DESCRIPTION

FIG. 1 is a front perspective view of a gaming machine showing our new design according to a first embodiment; FIG. 2 is a front elevation view thereof; FIG. 3 is a rear elevation view thereof; FIG. 4 is a right side elevation view thereof; FIG. 5 is a left side elevation view thereof; FIG. 6 is a top plan view thereof; FIG. 7 is a bottom plan view thereof; FIG. 8 is a rear perspective view thereof; FIG. 9 is a front perspective view of a gaming machine showing our new design according to a second embodiment; FIG. 10 is a front elevation view thereof; FIG. 11 is a rear elevation view thereof; FIG. 12 is a right side elevation view thereof; FIG. 13 is a left side elevation view thereof; FIG. 14 is a top plan view thereof; FIG. 15 is a bottom plan view thereof; and, FIG. 16 is a rear perspective view thereof.

The evenly dashed broken lines in the drawings illustrate portions of the gaming machine that form no part of the claimed design. The long-short broken lines in the drawings illustrate a boundary line that forms no part of the claimed design.

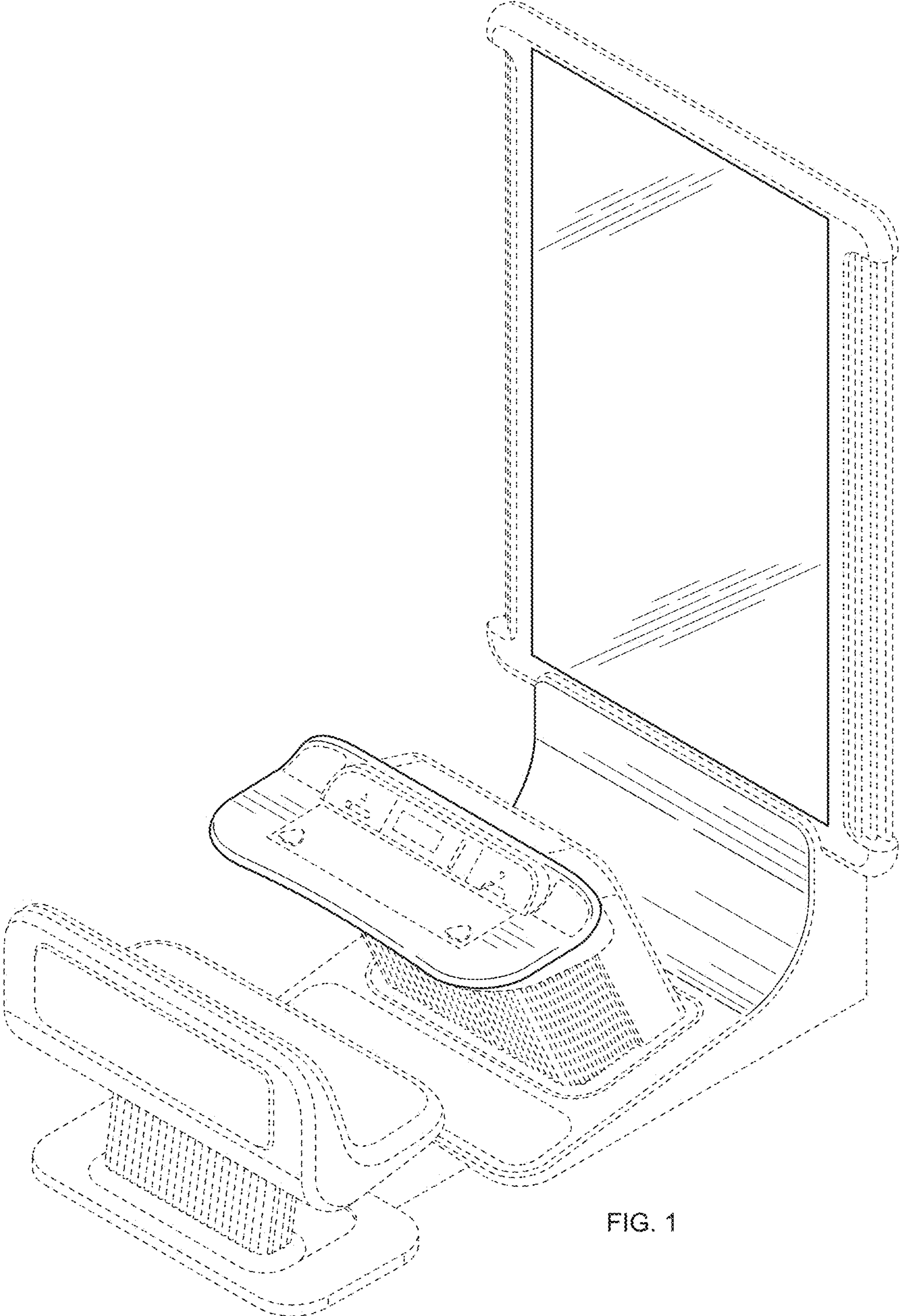


FIG. 1

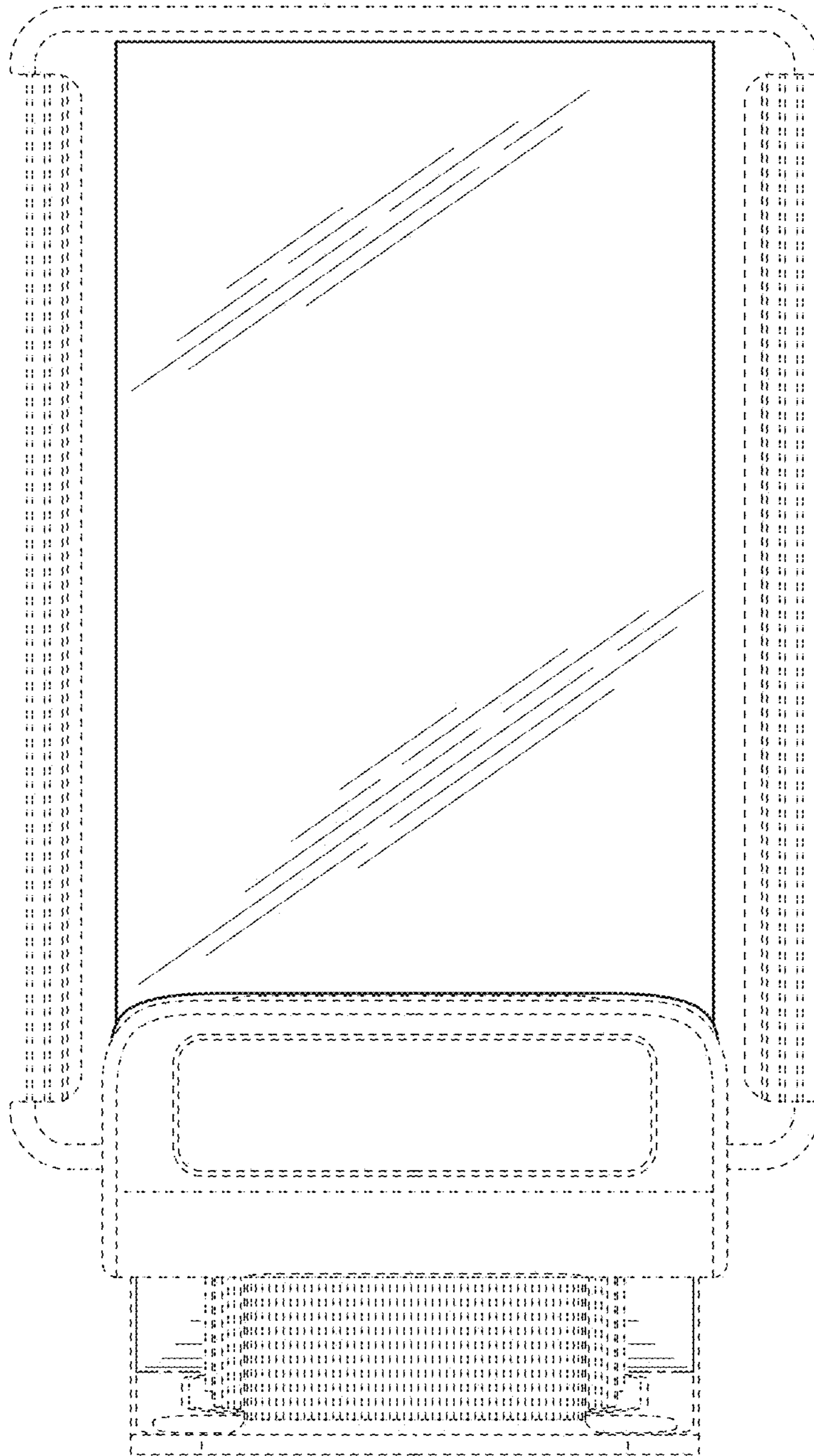


FIG. 2

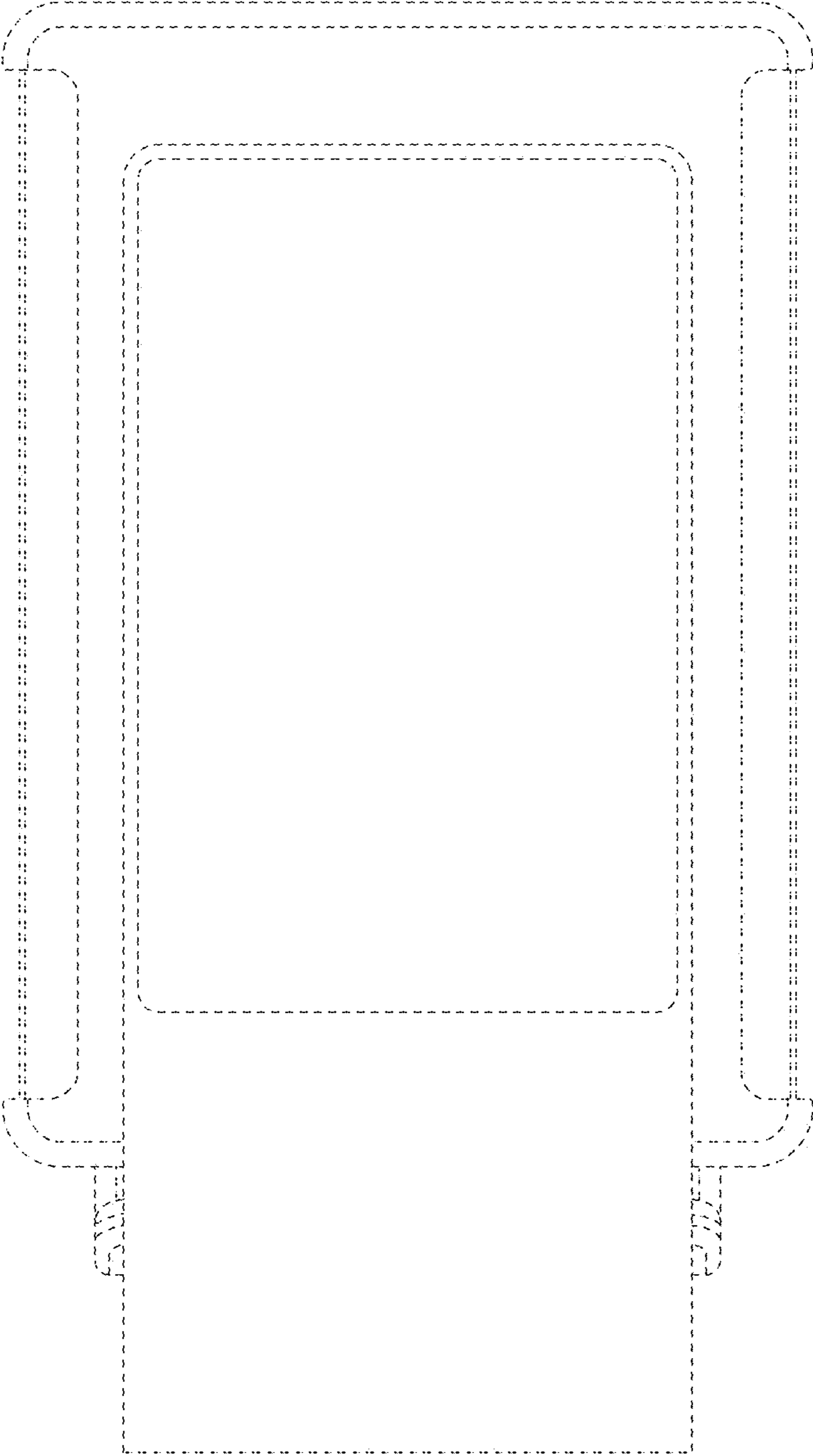


FIG. 3

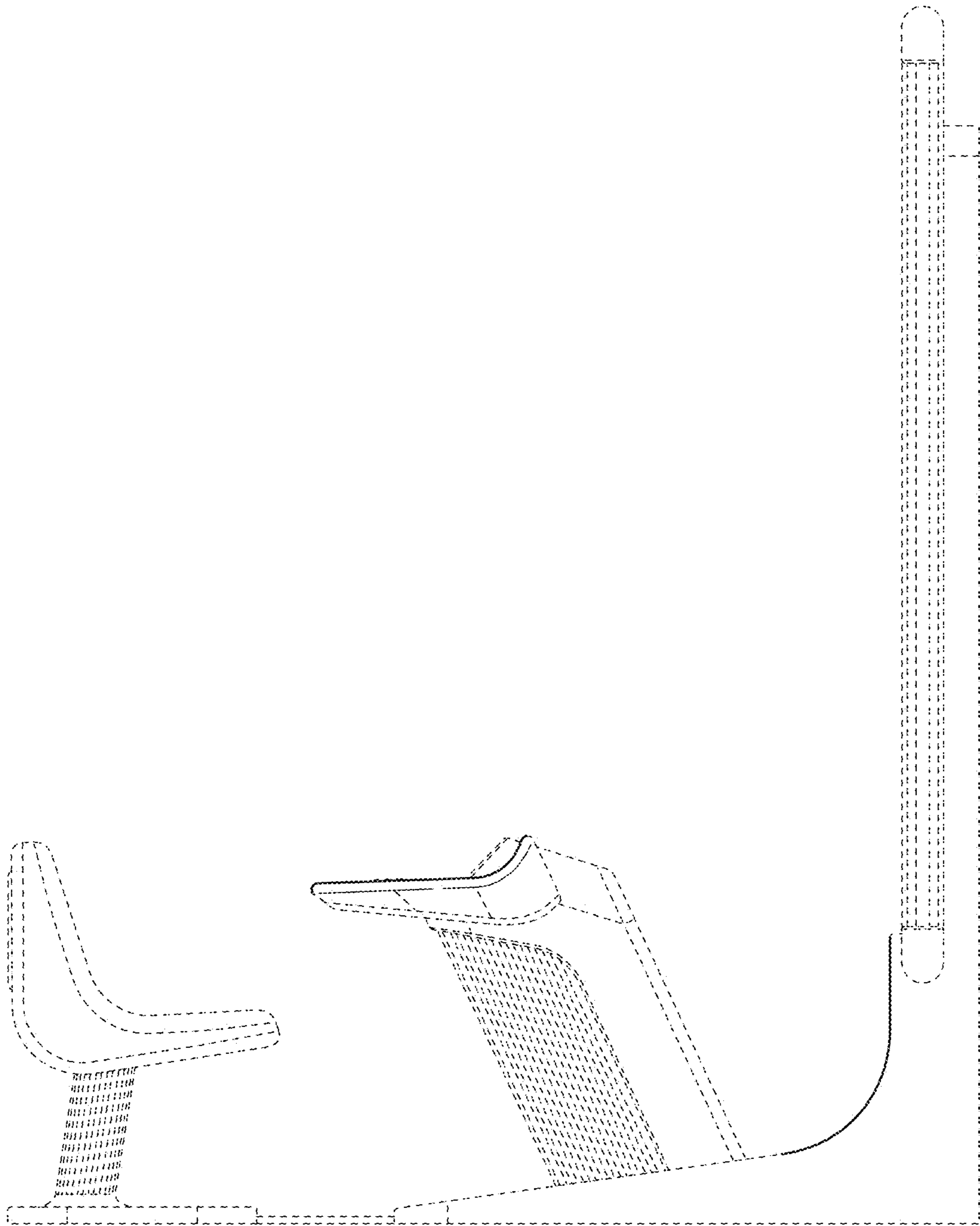


FIG. 4

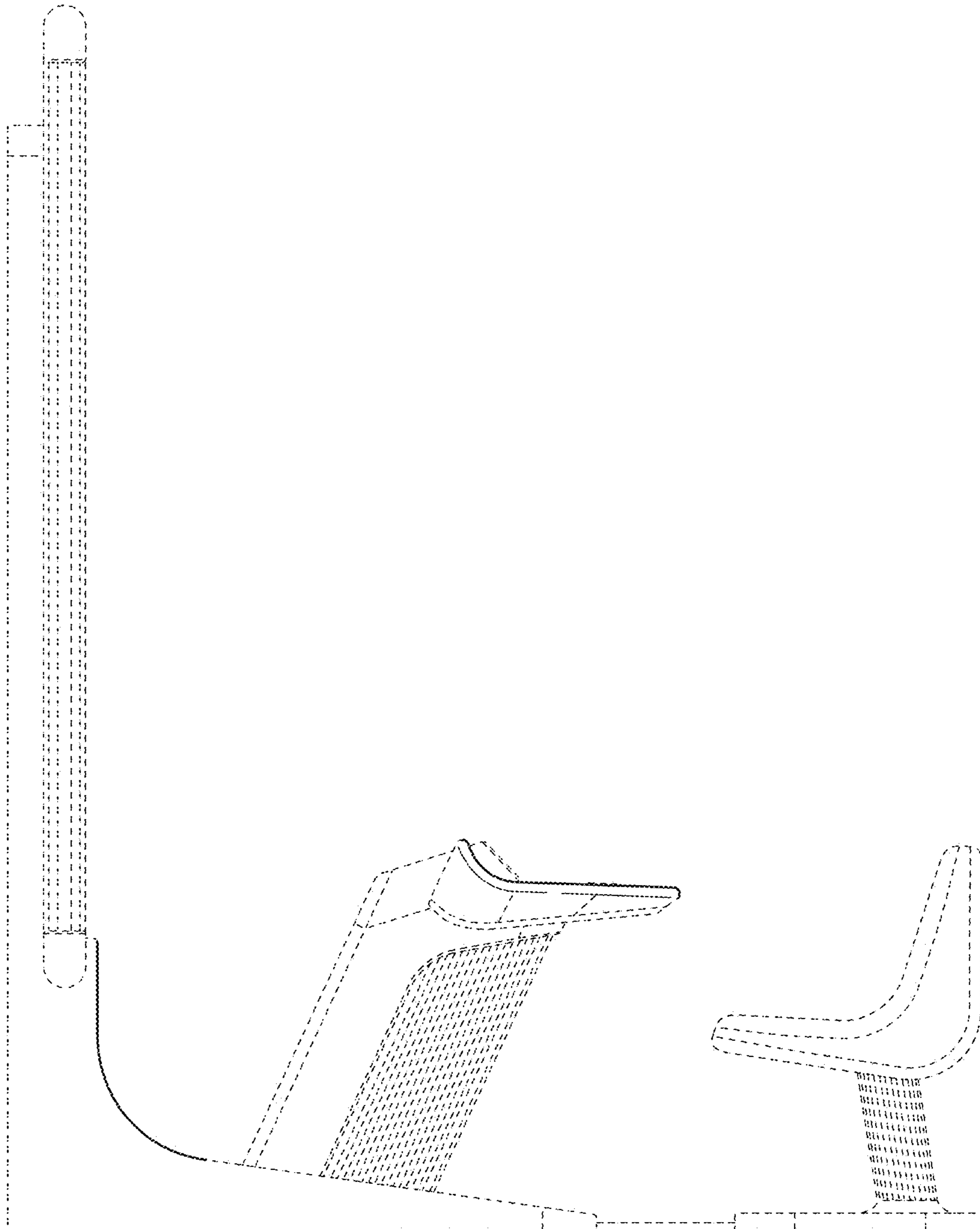


FIG. 5

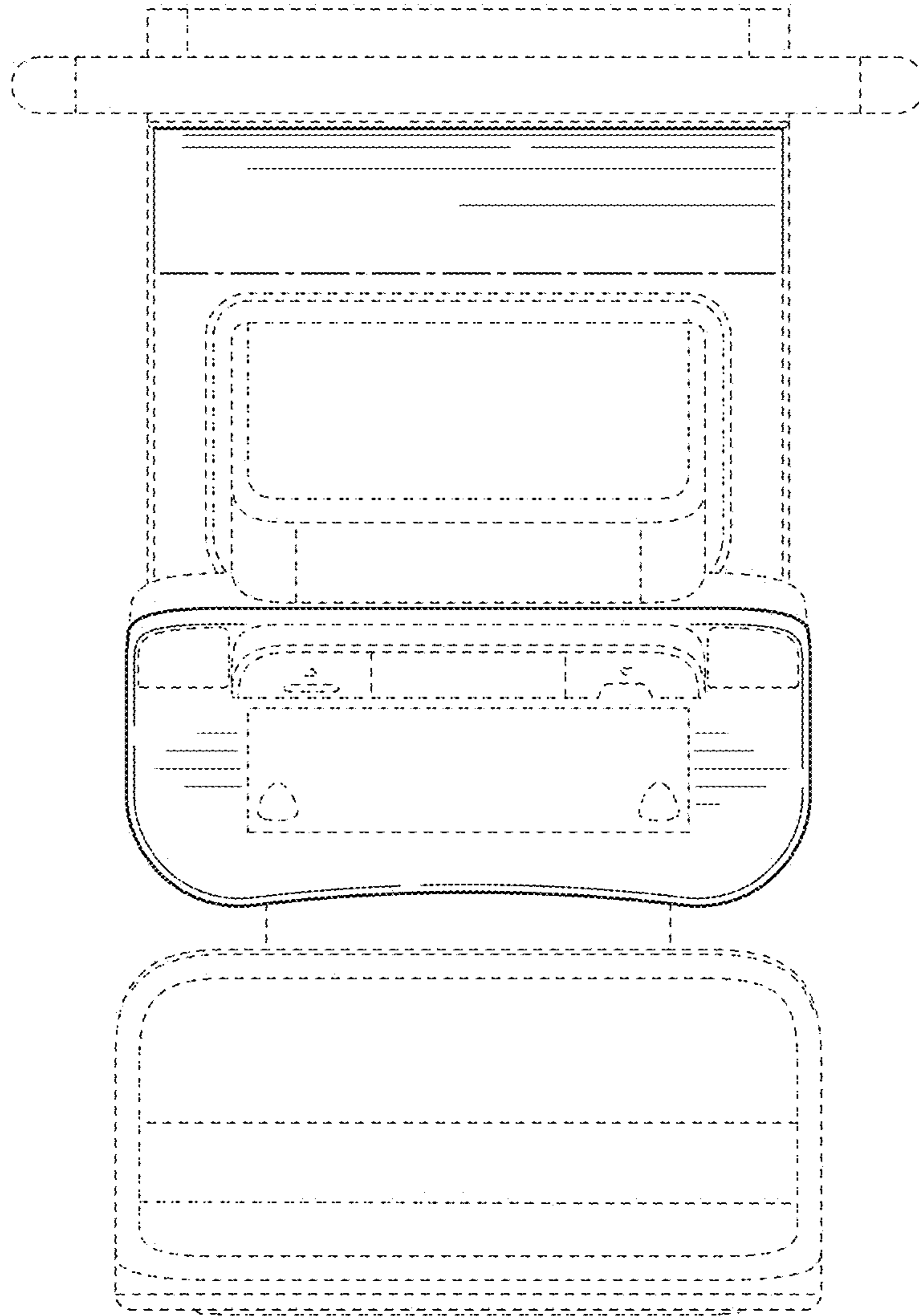


FIG. 6

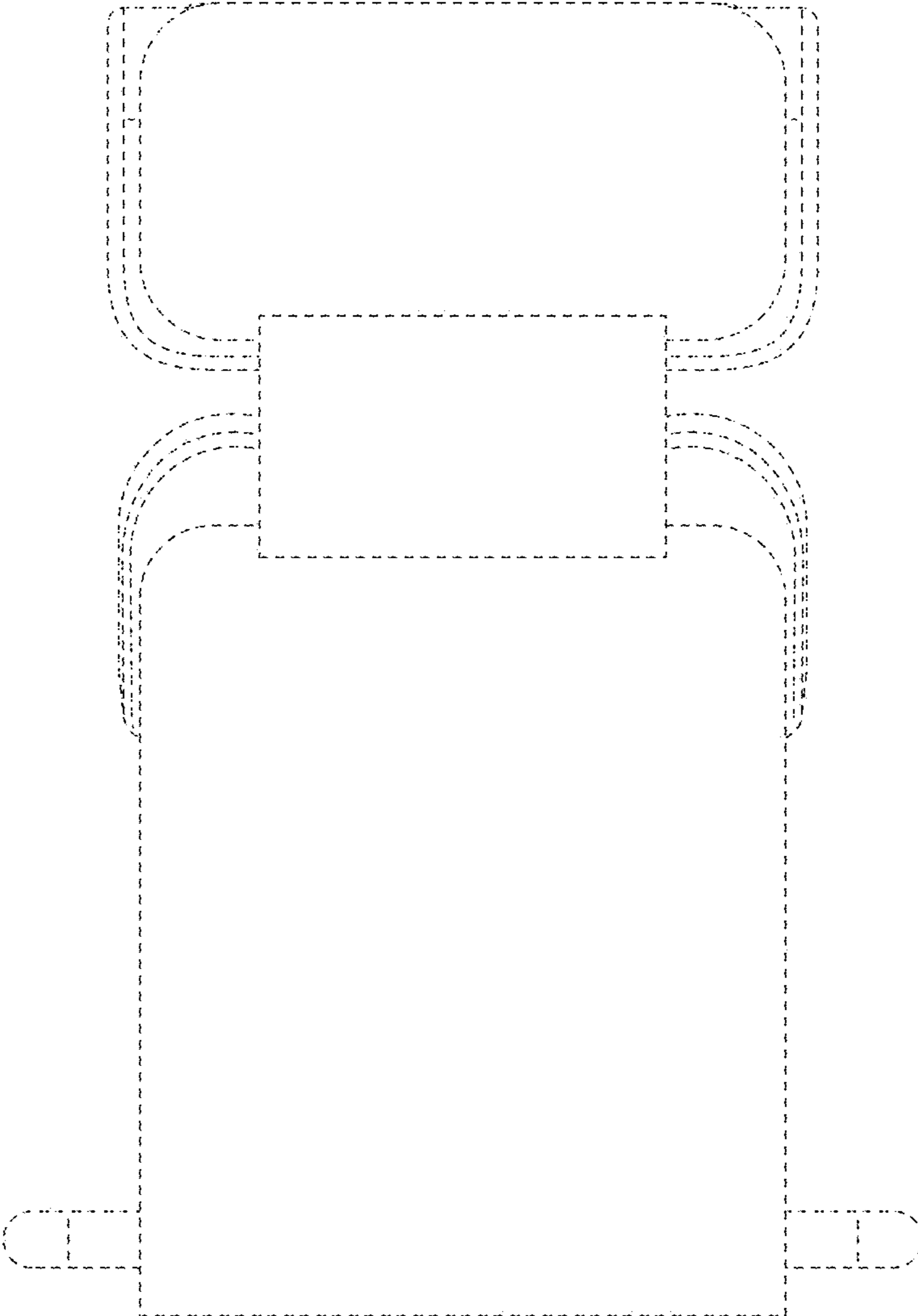


FIG. 7

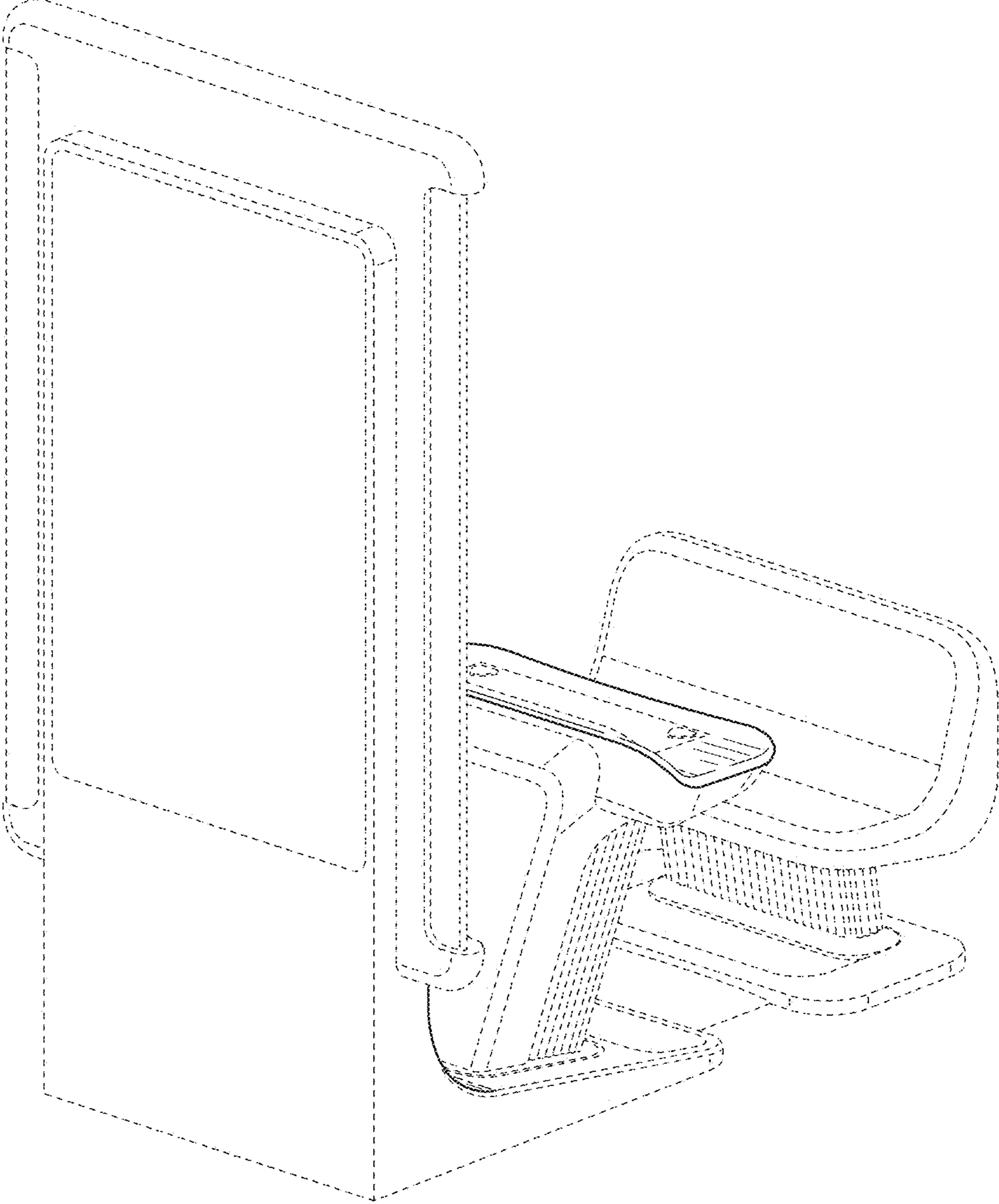


FIG. 8

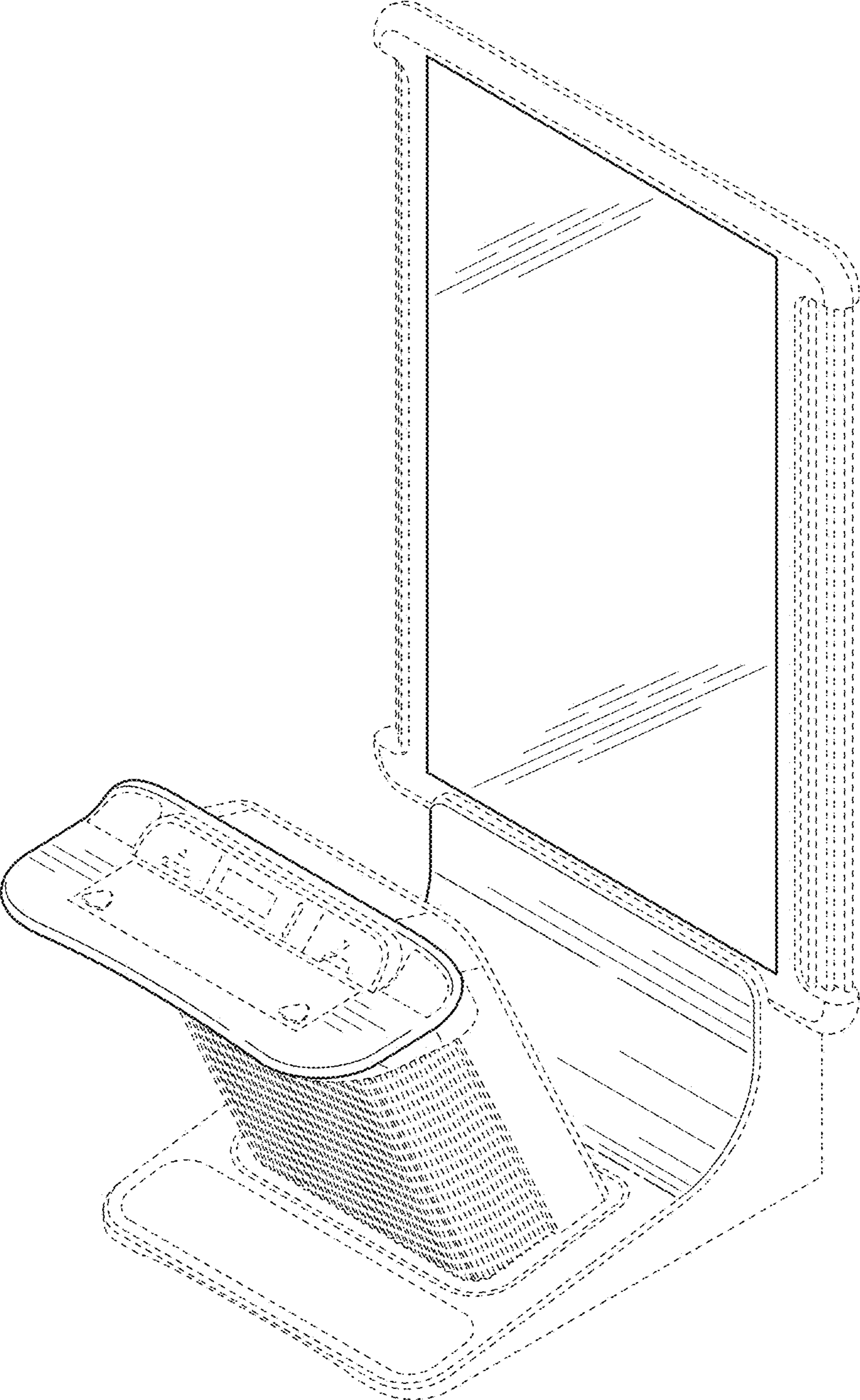


FIG. 9

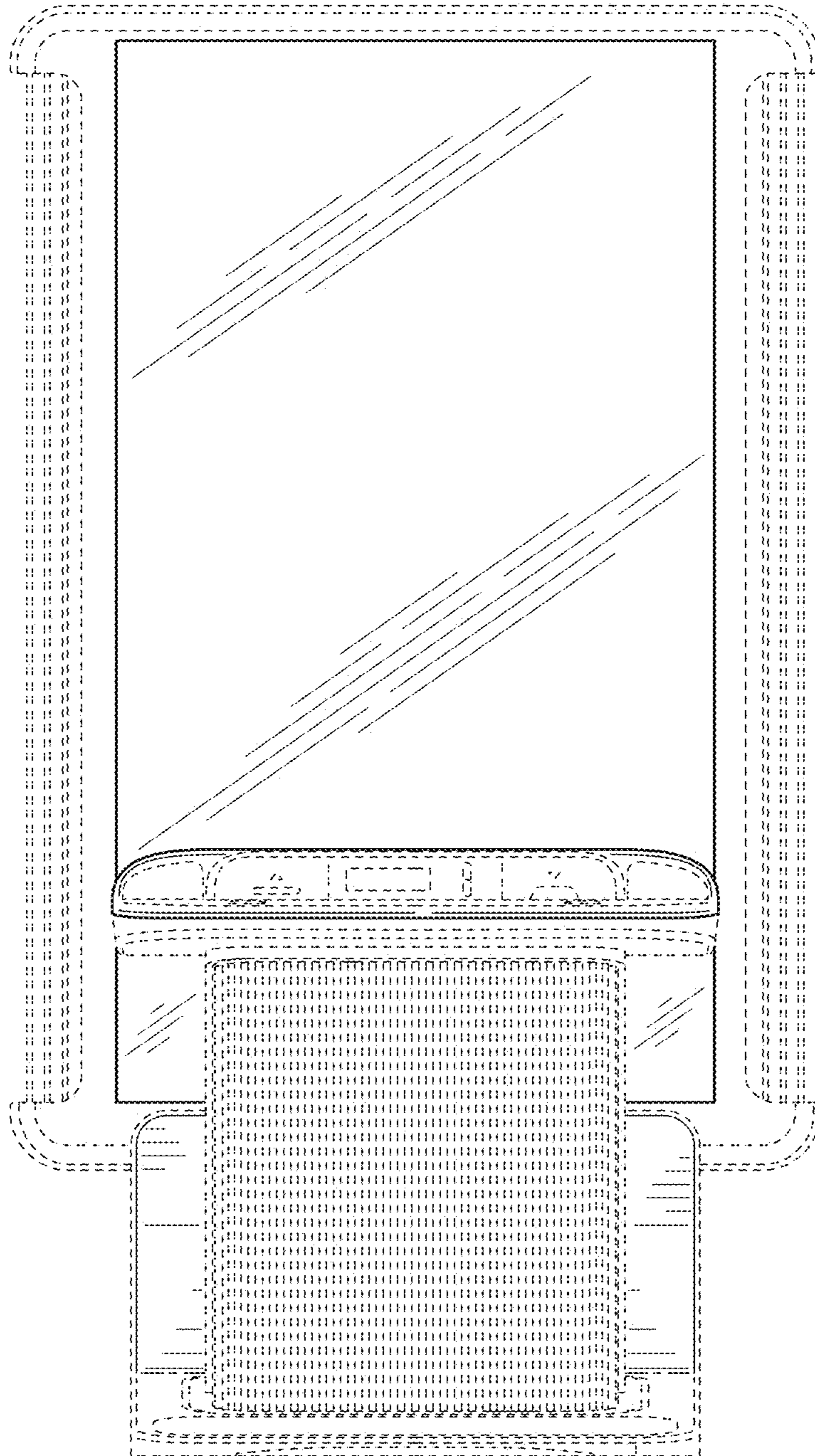


FIG. 10

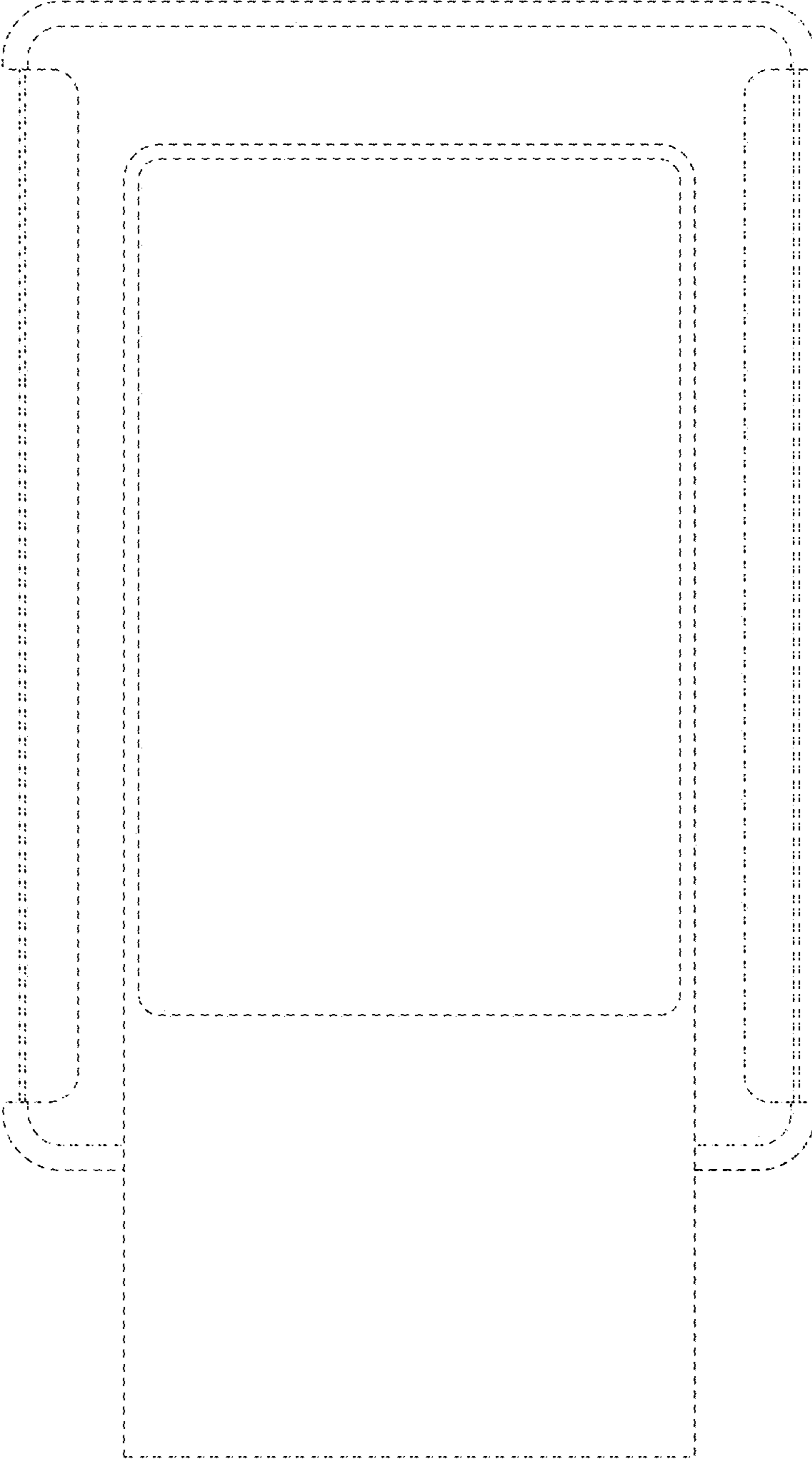


FIG. 11

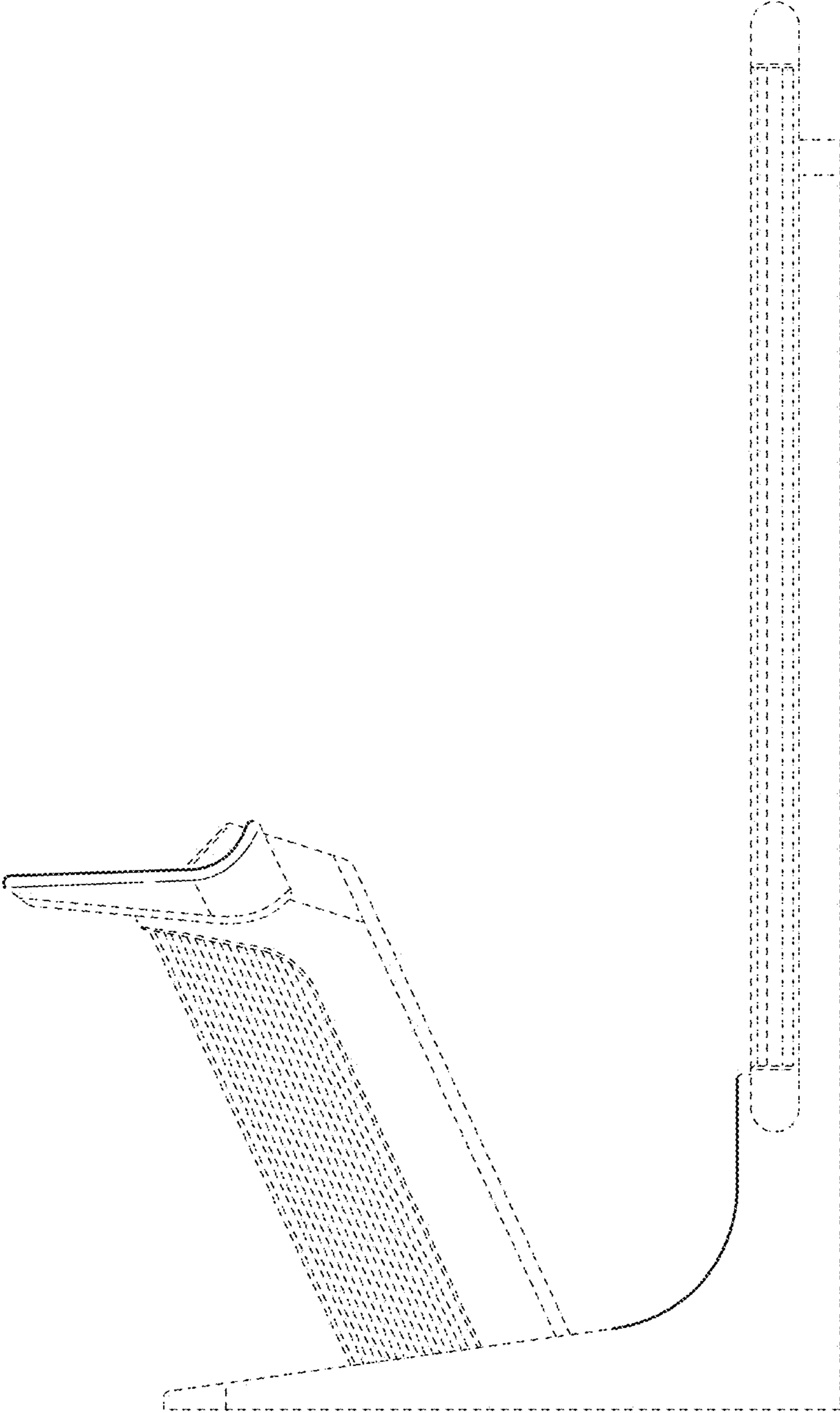


FIG. 12

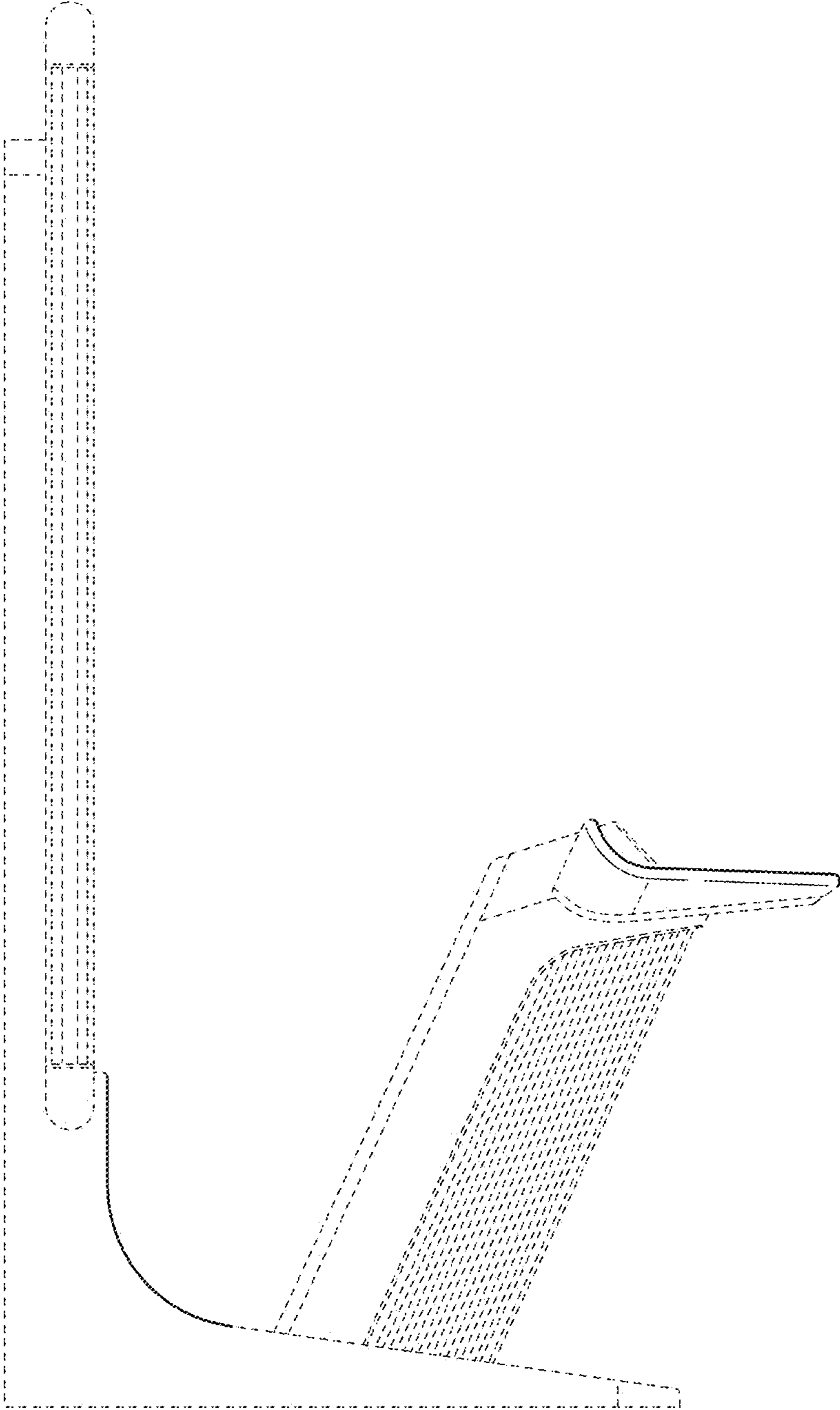


FIG. 13

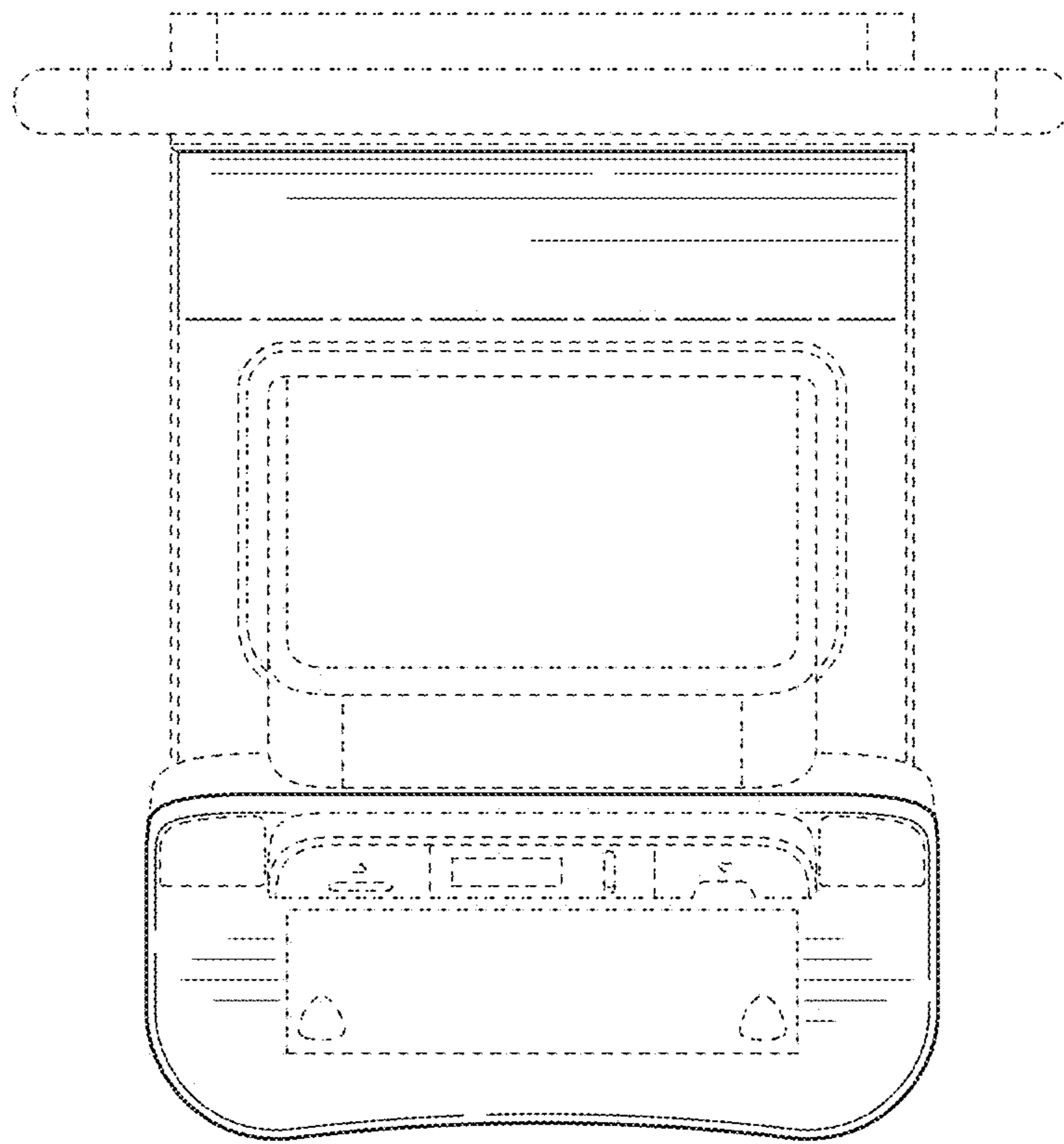


FIG. 14

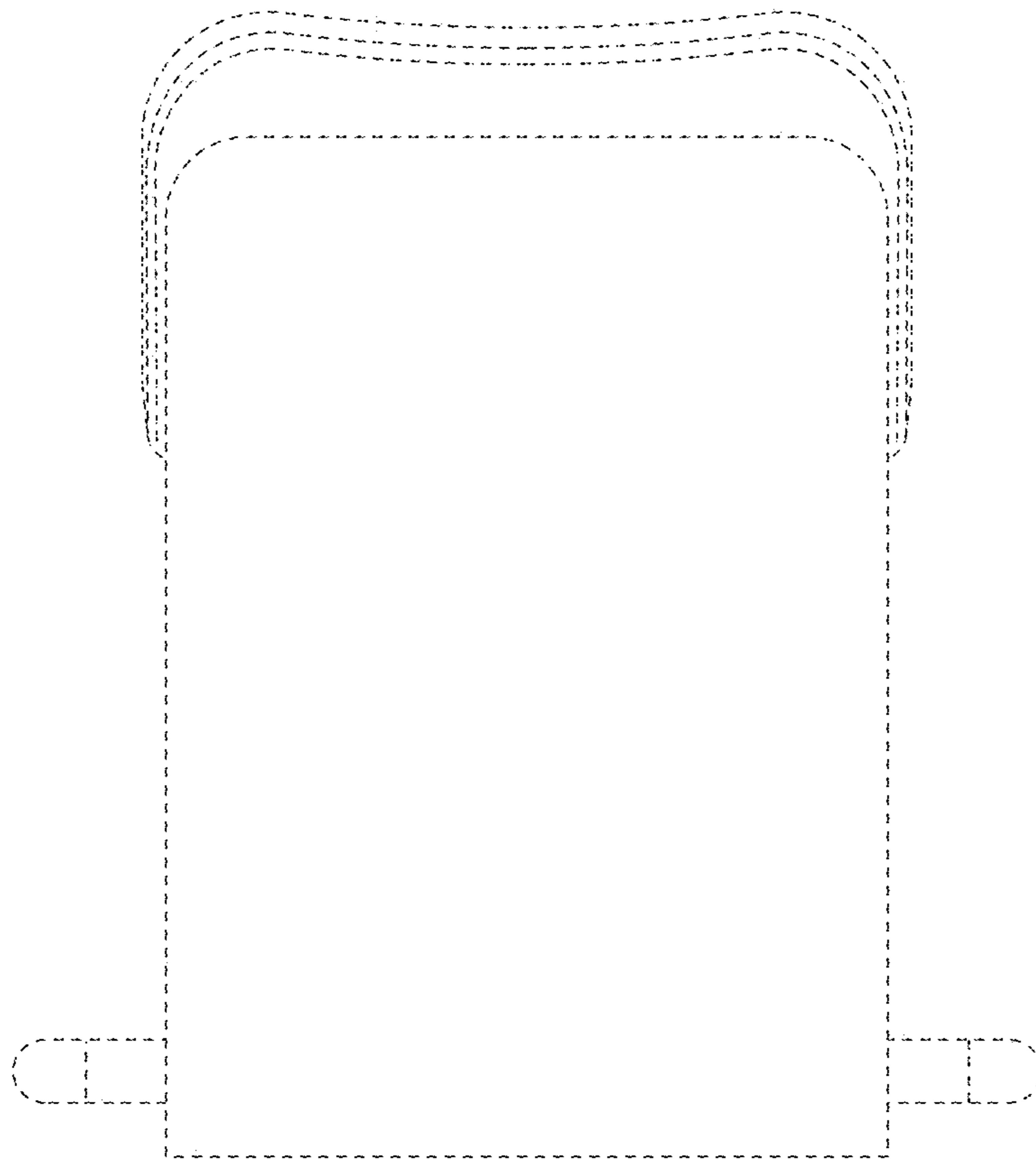


FIG. 15

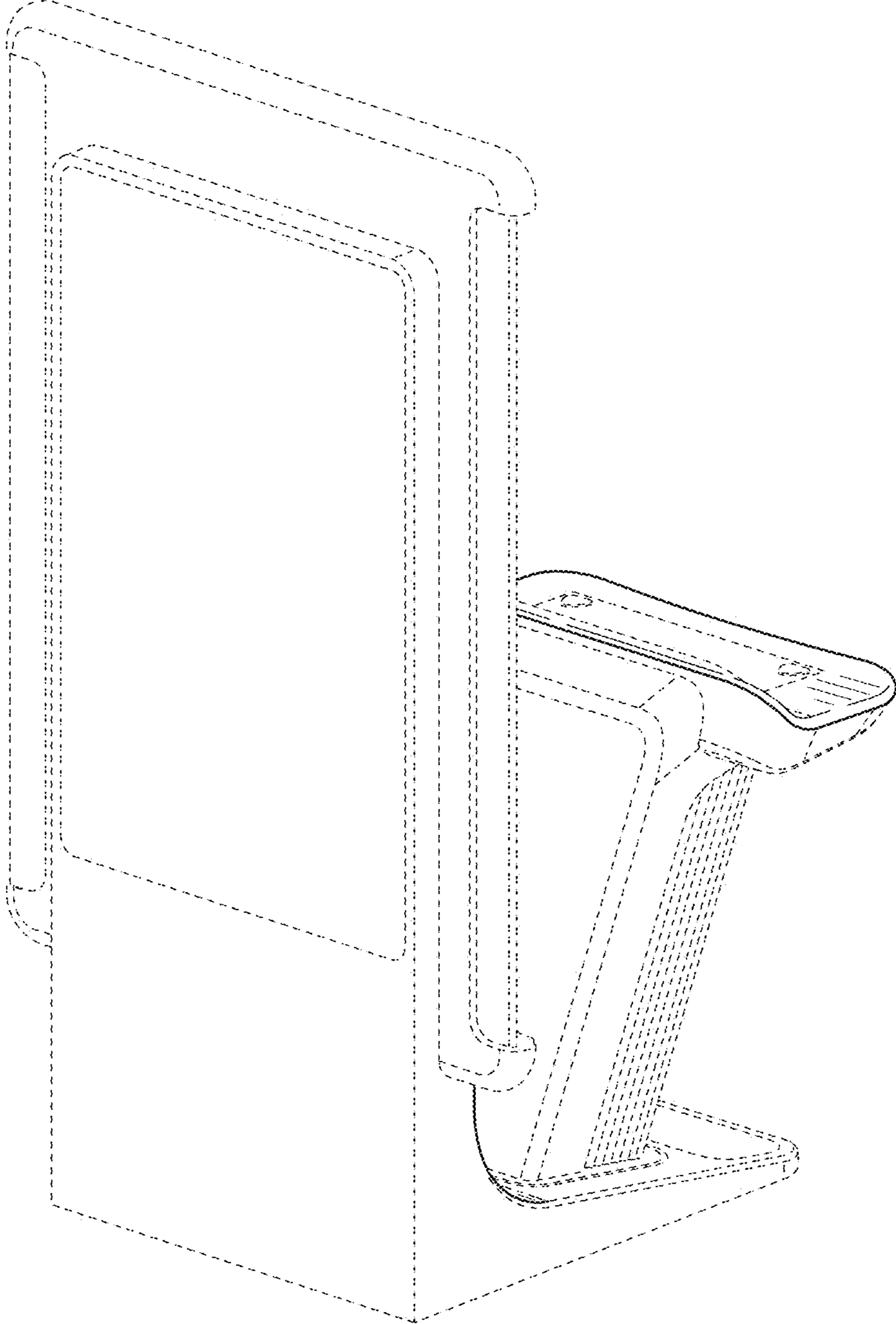


FIG. 16