



US00D978243S

(12) **United States Design Patent**
Kamiyama et al.

(10) **Patent No.:** **US D978,243 S**
(45) **Date of Patent:** **** Feb. 14, 2023**

(54) **CARTRIDGE FOR AN ELECTRONIC PEN**

FOREIGN PATENT DOCUMENTS

(71) Applicant: **Wacom Co., Ltd.**, Kazo (JP)

EM 005809480-0001 S 1/2019
EM 007770276-0002 S 4/2020

(72) Inventors: **Ryoji Kamiyama**, Tokyo (JP);
Masamitsu Ito, Toyko (JP); **Toshihiko Horie**, Toyko (JP)

(Continued)

(73) Assignee: **Wacom Co., Ltd.**, Kazo (JP)

(**) Term: **15 Years**

(21) Appl. No.: **29/755,547**

(22) Filed: **Oct. 21, 2020**

(30) **Foreign Application Priority Data**

Apr. 21, 2020 (JP) 2020-008215 D

(51) **LOC (14) Cl.** **19-06**

(52) **U.S. Cl.**
USPC **D19/158**; D14/411

(58) **Field of Classification Search**
USPC D19/115–185; D14/431
CPC G06F 3/0383; G06F 3/03545
See application file for complete search history.

(56) **References Cited**

U.S. PATENT DOCUMENTS

D64,773 S *	5/1924	Swanberg	D19/916
D169,307 S *	4/1953	Ferber	D19/923
D283,901 S *	5/1986	Horntrich	D19/176
D374,460 S *	10/1996	Young	D19/166
D389,131 S *	1/1998	Nagaoka	D14/431
D400,921 S *	11/1998	Ting	D19/934
D444,171 S	6/2001	McCullough		
D450,767 S	11/2001	Itoh et al.		
D453,354 S *	2/2002	Ikenaga	D19/934
D465,521 S *	11/2002	Qiu	D19/176
D537,879 S *	3/2007	O'Hern	D19/186

(Continued)

OTHER PUBLICATIONS

Pens,louisiana.all.bizTinEye,date published Jun. 21, 2017,date retrieved from internet Mar. 18, 2022—29755544—https://tineye.com/search/6de5f11ad5998ed67b214b6434683034d1a55018?sort=score&order=desc&page=1 (Year: 2017).*

(Continued)

Primary Examiner — Jennifer L Rempfer

Assistant Examiner — Danielle Nichole Bowly

(74) *Attorney, Agent, or Firm* — Christensen O'Connor Johnson Kindness PLLC

(57) **CLAIM**

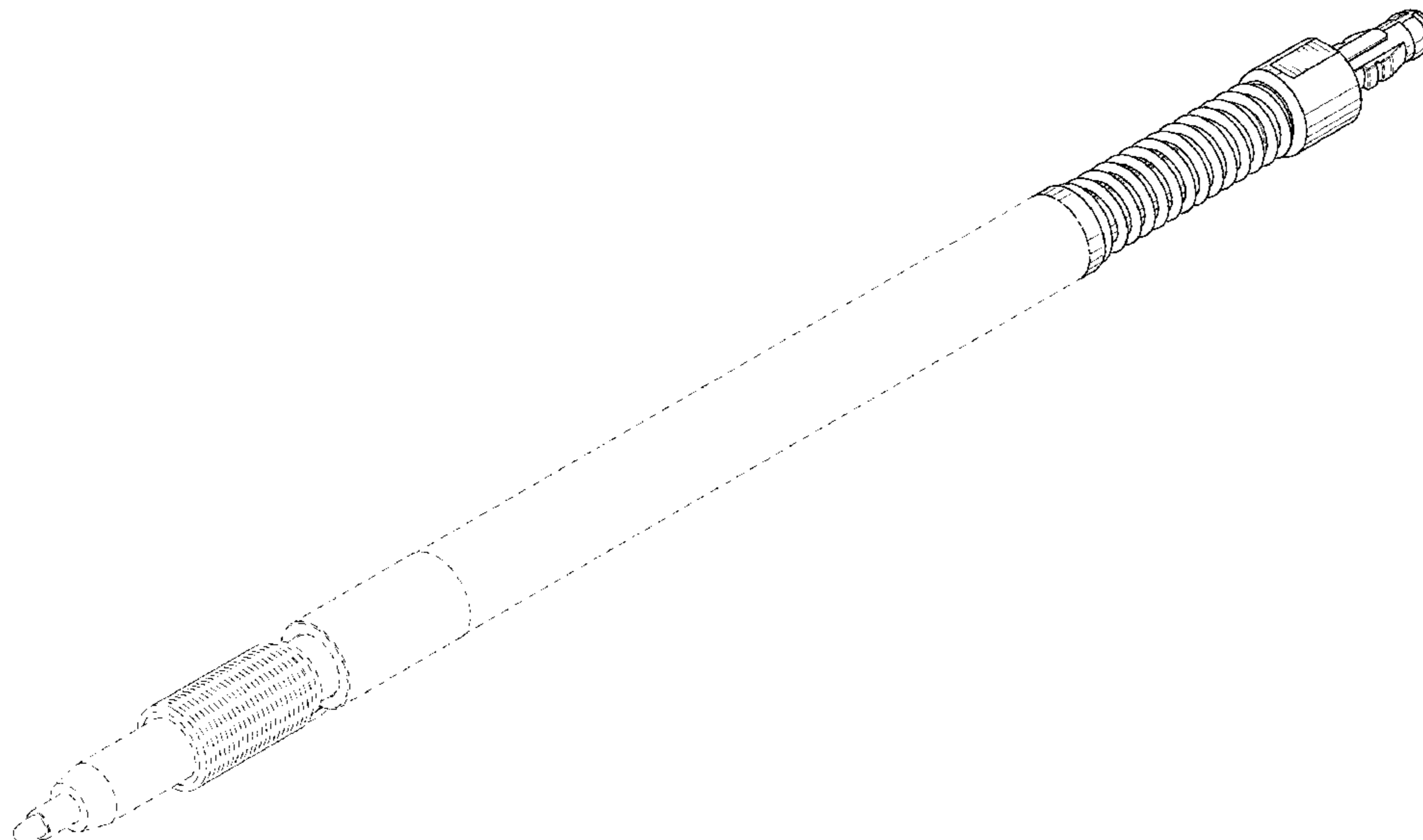
The ornamental design for a cartridge for an electronic pen, as shown and described.

DESCRIPTION

FIG. 1 is a front-bottom-right perspective view of a cartridge for an electronic pen according to our new design; FIG. 2 is a rear-top-left perspective view thereof; FIG. 3 is a front elevational view thereof; FIG. 4 is a rear elevational view thereof; FIG. 5 is a right side elevational view thereof; FIG. 6 is a left side elevational view thereof; FIG. 7 is top plan view thereof; FIG. 8 is a bottom plan view thereof; and, FIG. 9 is a partial a rear-top-left perspective view elevational view thereof, as indicated by the view indicator shown in FIG. 2.

The broken lines in the figures depict portions of the cartridge for an electronic pen that form no part of the claimed design.

1 Claim, 6 Drawing Sheets



(56)

References Cited

U.S. PATENT DOCUMENTS

D582,979 S * 12/2008 Leibeck D19/195
D610,615 S * 2/2010 Li D19/927
D646,328 S * 10/2011 Casciotti D19/199
D692,055 S * 10/2013 Yamanaka D19/916
D816,167 S * 4/2018 Guiu D19/177
D897,341 S * 9/2020 Kamiyama D14/411
2021/0382569 A1 * 12/2021 Kamiyama G06F 3/0383
2022/0026996 A1 * 1/2022 Sato G06F 3/0383
2022/0050536 A1 * 2/2022 Kamiyama G06F 3/046

FOREIGN PATENT DOCUMENTS

EM 007770284-0002 S 4/2020
JP D1383822 S 3/2010
JP D1622064 * 1/2019

OTHER PUBLICATIONS

Bamboo Ink Smart Stylus, Amazon.com, date published Oct. 30, 2019, date retrieved from internet Mar. 18, 2022—29755544—<https://amzn.to/3qdXrxe> (Year: 2019).*

* cited by examiner

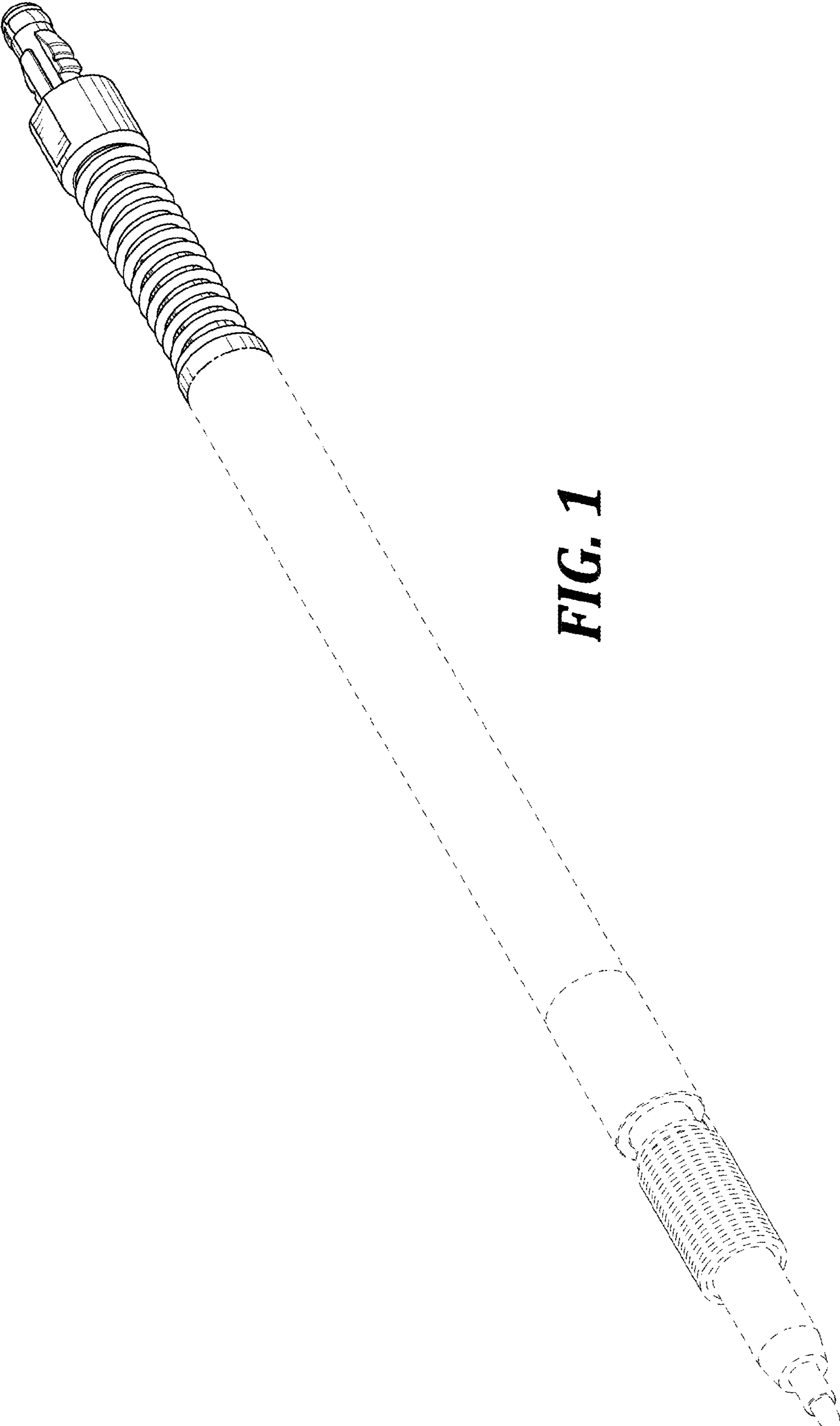


FIG. 1

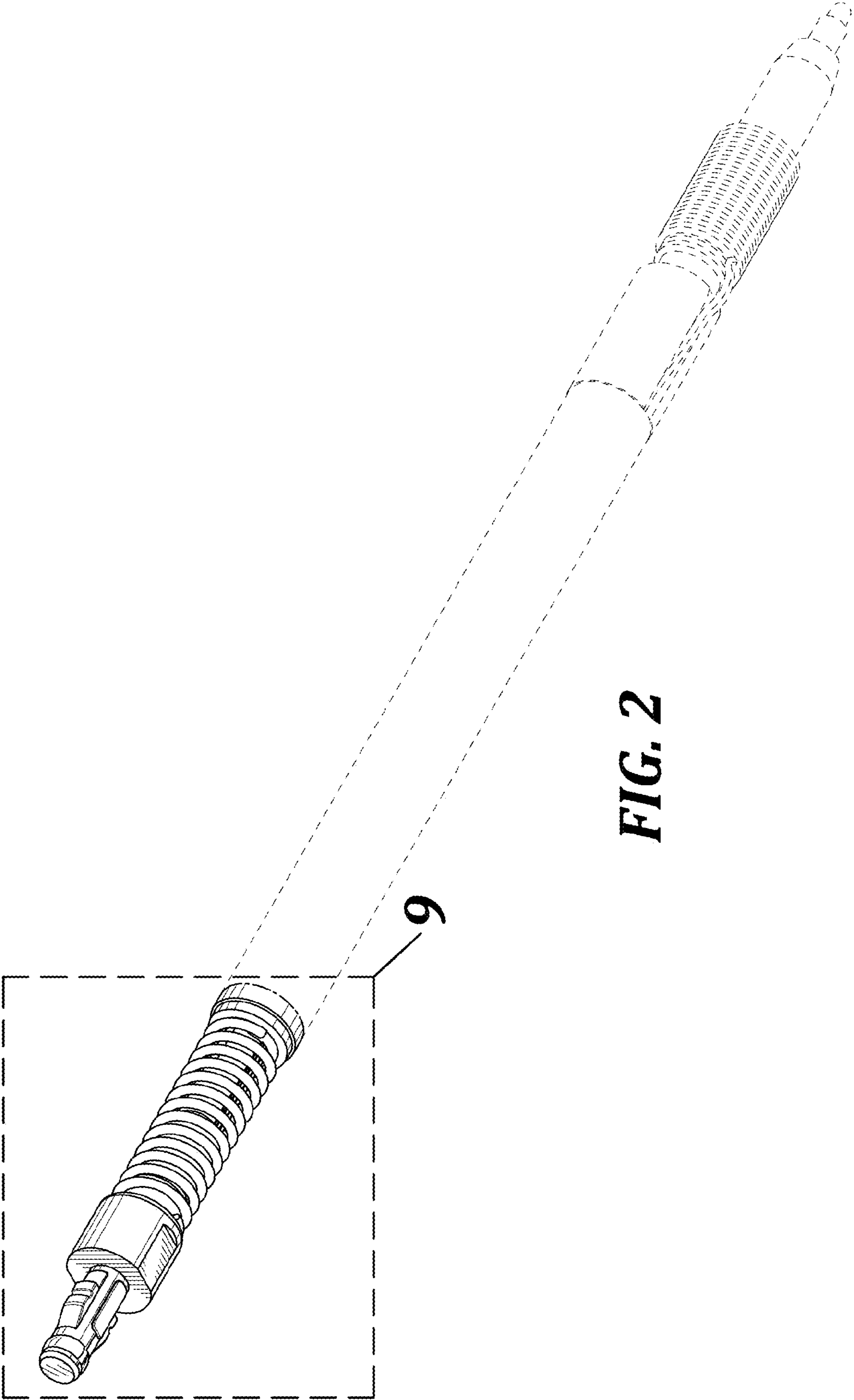


FIG. 2

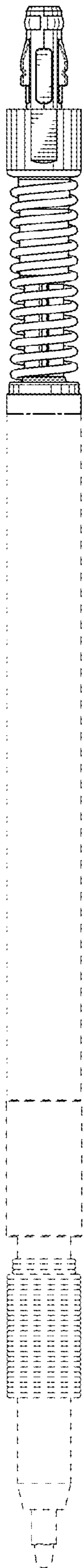


FIG. 3

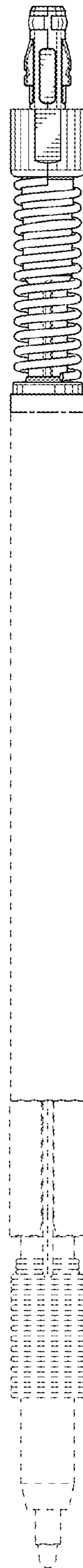


FIG. 4

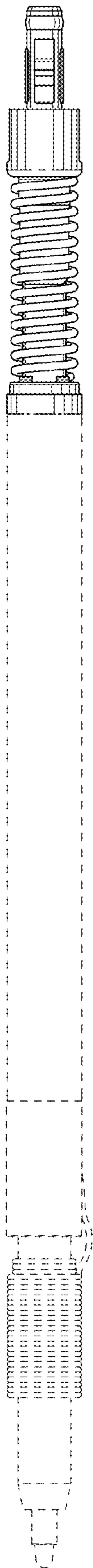


FIG. 5

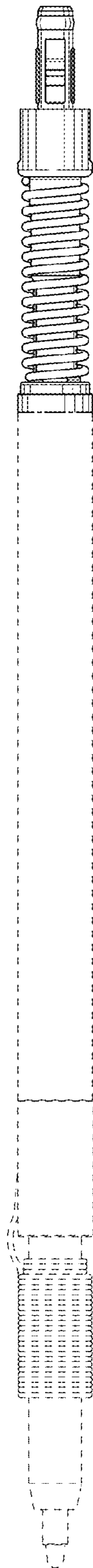


FIG. 6

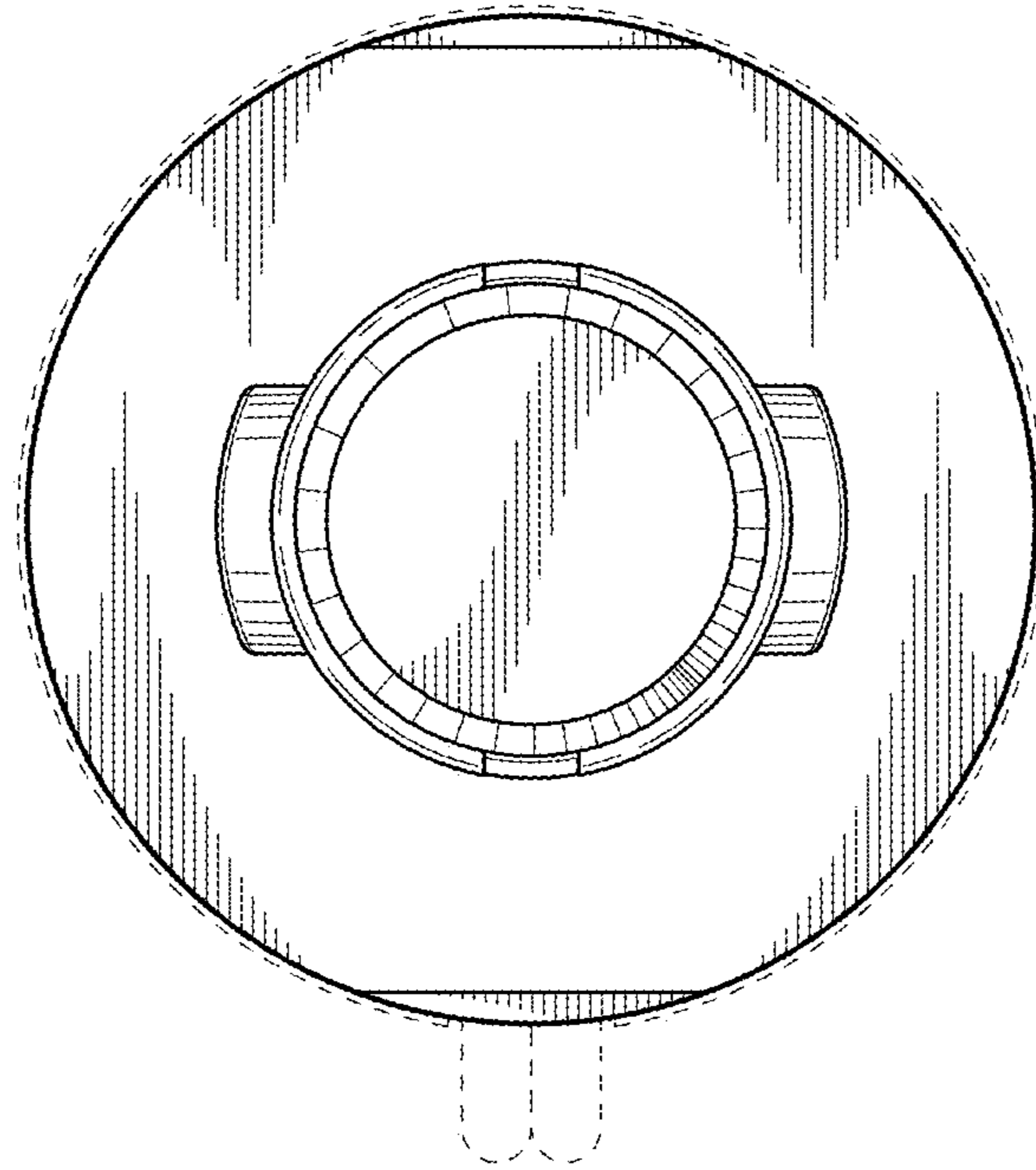


FIG. 7

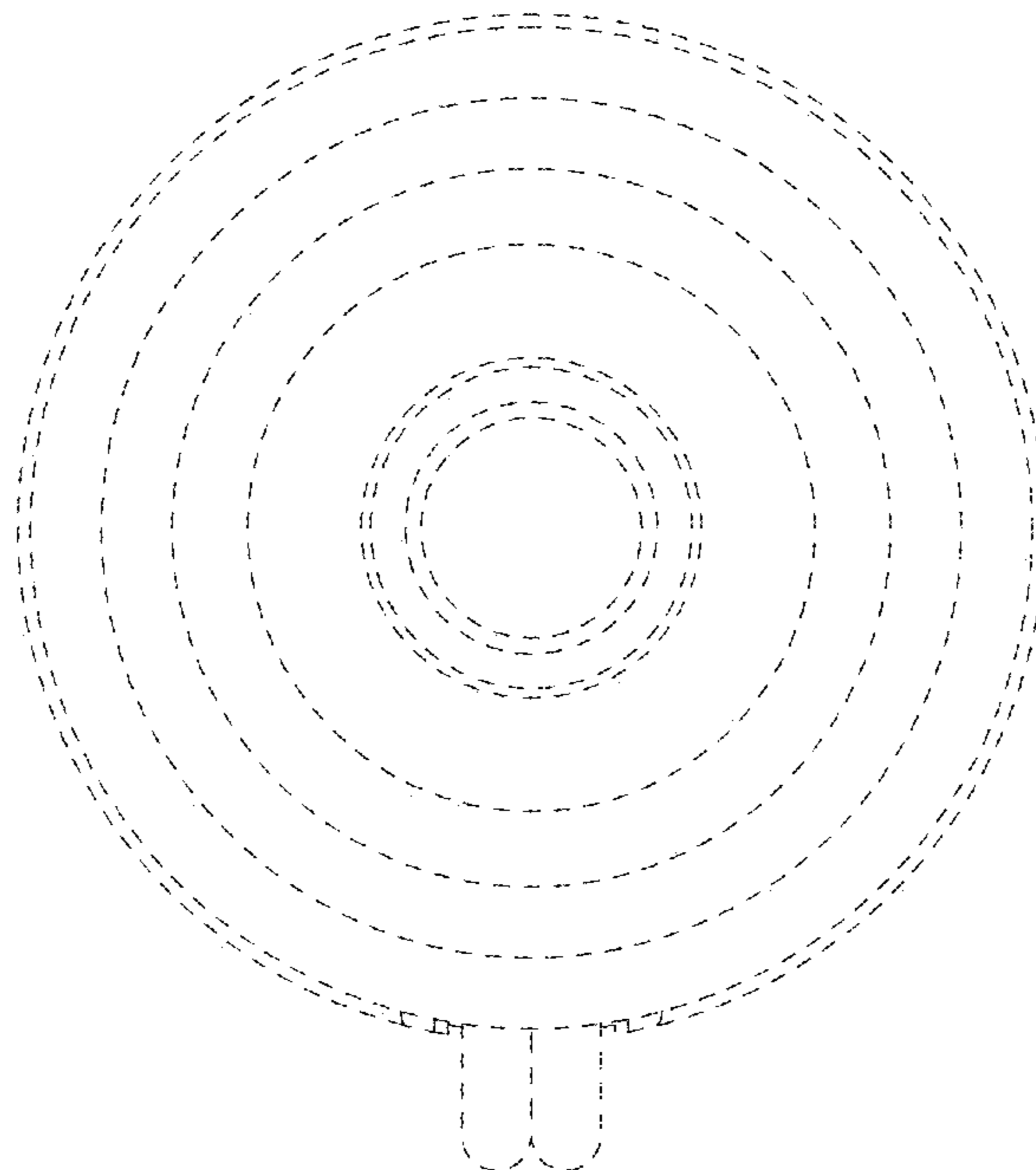


FIG. 8

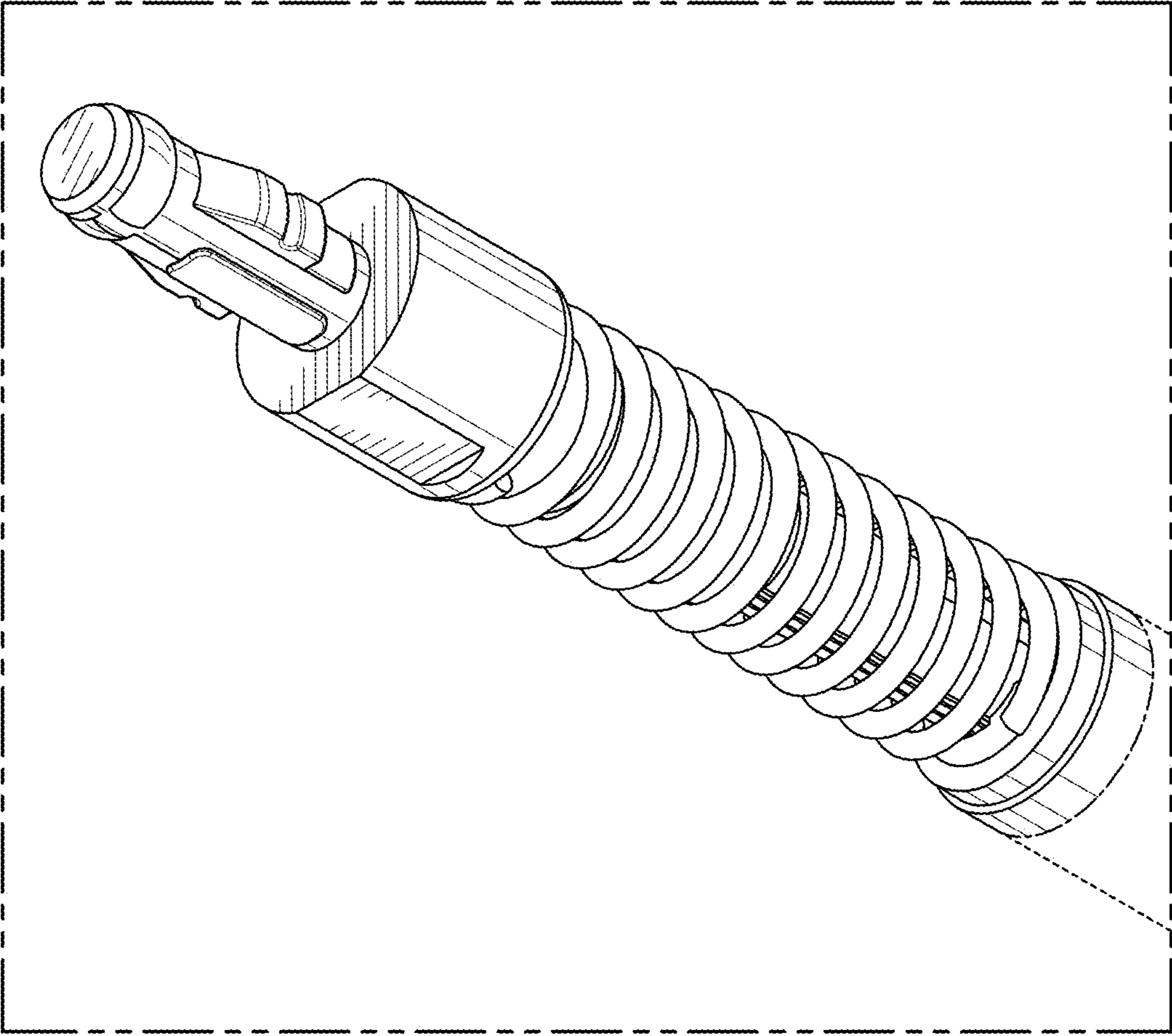


FIG. 9