



US00D978236S

(12) **United States Design Patent** (10) **Patent No.:** **US D978,236 S**
Ishio (45) **Date of Patent:** **** Feb. 14, 2023**

(54) **COPIER**
(71) Applicant: **TOSHIBA TEC KABUSHIKI KAISHA**, Tokyo (JP)

D313,161 S 12/1990 Westphal et al.
D339,718 S 9/1993 Coy
D379,558 S 6/1997 Mischenko et al.
D426,875 S 6/2000 Weatherbee
D427,293 S 6/2000 Yastrop
(Continued)

(72) Inventor: **Hisaya Ishio**, Tokyo (JP)

(73) Assignee: **TOSHIBA TEC KABUSHIKI KAISHA**, Tokyo (JP)

FOREIGN PATENT DOCUMENTS

CN 305397056 10/2019
CN 306079388 9/2020
JP 1306715 7/2007

(**) Term: **15 Years**

(21) Appl. No.: **29/707,858**

OTHER PUBLICATIONS

(22) Filed: **Oct. 1, 2019**

Toshiba-e-Studio 330AC Color Copier Brochure—pp. 1-3—2020—
priceofcopiers.com <https://priceofcopiers.com/wp-content/Brochure/Toshiba-e-STUDIO-330AC-Copier-Brochure.pdf> (Year: 2020).*

(30) **Foreign Application Priority Data**

(Continued)

Apr. 2, 2019 (JP) 2019-007214

(51) **LOC (14) Cl.** **16-03**

Primary Examiner — Jennifer L Rempfer

(52) **U.S. Cl.**
USPC **D18/39**

Assistant Examiner — Danielle Nichole Bowly

(58) **Field of Classification Search**
USPC D18/4.1, 4.4, 4.6, 37, 38, 39, 50, 53, 54,
D18/55, 59; D14/300, 301, 302, 307
CPC ... H04N 2201/0094; H04N 2201/0081; H04N
1/00278

(74) *Attorney, Agent, or Firm* — Foley & Lardner LLP

See application file for complete search history.

(57) **CLAIM**

I claim the ornamental design for a copier, as shown and described.

(56) **References Cited**

DESCRIPTION

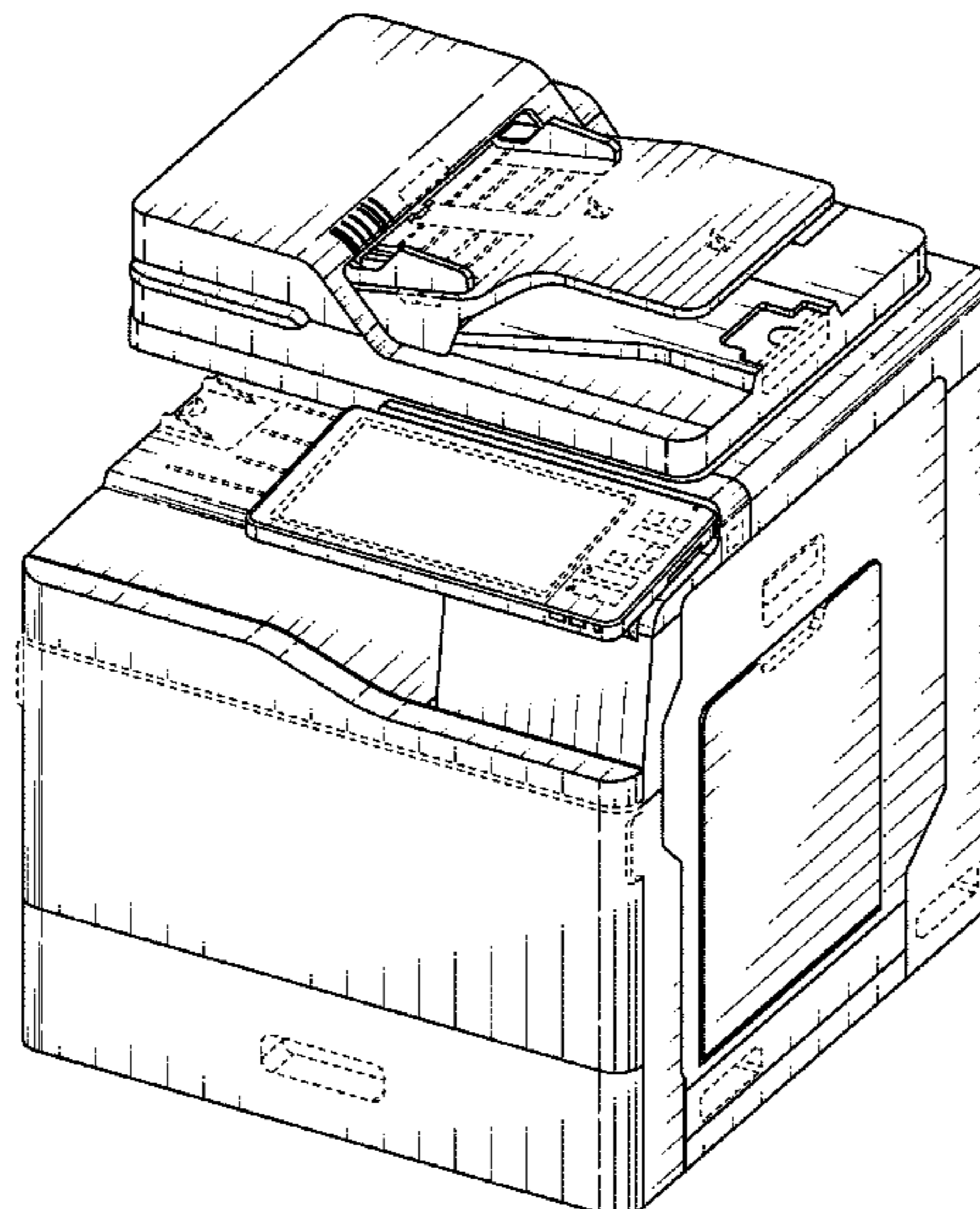
U.S. PATENT DOCUMENTS

1,413,918 A 4/1922 Lamb
D94,120 S 12/1934 De Vries
D100,218 S 6/1936 Martin
D100,871 S 8/1936 Marcus
D165,702 S 1/1952 Stewart
D171,877 S 4/1954 Armstrong
D175,851 S 10/1955 Ohno
D188,517 S 8/1960 Peterson
D191,632 S 10/1961 Schultz
D191,920 S 12/1961 Hale et al.
4,083,481 A 4/1978 Selinko

FIG. 1 is a front perspective view of a copier;
FIG. 2 is a front view thereof;
FIG. 3 is a rear view thereof;
FIG. 4 is a top view thereof;
FIG. 5 is a bottom view thereof;
FIG. 6 is a right side view thereof; and,
FIG. 7 is a left side view thereof.

The ornamental design which is claimed is shown in solid lines in the drawings. The broken lines in the drawings depict portions of the copier that form no part of the claimed design.

1 Claim, 7 Drawing Sheets



(56)

References Cited

U.S. PATENT DOCUMENTS

D461,287 S 8/2002 Hansen
 D502,210 S * 2/2005 Katori D14/463
 D502,858 S 3/2005 Sato
 7,068,963 B2 6/2006 Moore et al.
 D555,176 S 11/2007 Ogawa
 D555,195 S 11/2007 Park et al.
 D572,566 S 7/2008 Kahonen
 D577,763 S * 9/2008 Hidaka D18/39
 D580,484 S 11/2008 Ishio
 D626,587 S * 11/2010 Ishio D18/39
 D685,414 S * 7/2013 Jeong D18/53
 D695,339 S 12/2013 Fukasawa et al.
 D697,966 S 1/2014 Fukasawa et al.
 D697,967 S 1/2014 Fukasawa et al.
 D698,389 S 1/2014 Fukasawa et al.
 D699,725 S 2/2014 Sato et al.
 D702,760 S 4/2014 Kim et al.
 D723,901 S 3/2015 Holtman et al.
 D724,142 S 3/2015 Kim et al.
 D726,249 S 4/2015 Kim et al.
 D726,250 S 4/2015 Kim et al.
 D726,251 S 4/2015 Kim et al.
 D730,356 S 5/2015 Sato et al.
 D733,711 S 7/2015 Nakagawa et al.
 D733,712 S 7/2015 Nakagawa
 D734,338 S 7/2015 Nakagawa
 D742,960 S 11/2015 Lee et al.
 D755,286 S 5/2016 Kim et al.
 D758,486 S 6/2016 Nakagawa et al.
 D764,834 S 8/2016 Citterio
 D767,676 S 9/2016 So
 D769,968 S * 10/2016 So D18/56
 D773,919 S 12/2016 Carlino
 D774,377 S 12/2016 Hilliaho
 D777,833 S 1/2017 Kim et al.
 D778,983 S 2/2017 Kim et al.
 D780,839 S 3/2017 Kim et al.
 D780,840 S 3/2017 Kim et al.
 D780,841 S 3/2017 Kim et al.
 D789,719 S 6/2017 Van Hoecke et al.
 D791,867 S 7/2017 Nakagawa et al.
 D792,187 S 7/2017 Hilliaho et al.
 D792,751 S 7/2017 Hilliaho et al.
 D799,594 S * 10/2017 Kim D18/55
 D800,122 S 10/2017 Tashima et al.
 D800,123 S 10/2017 Tashima et al.
 D800,124 S 10/2017 Asano et al.
 D800,214 S 10/2017 Sato et al.
 D800,216 S 10/2017 Sato et al.
 D802,659 S * 11/2017 Peng D18/56
 D803,308 S * 11/2017 Takahashi D18/36
 D803,309 S 11/2017 Takahashi et al.
 D803,310 S * 11/2017 Takahashi D18/39
 D808,461 S 1/2018 Tashima
 D809,594 S 2/2018 Tashima
 D810,192 S * 2/2018 Kawata D18/39
 D811,138 S 2/2018 Lee et al.
 D811,474 S 2/2018 Kim et al.
 9,888,138 B2 2/2018 Nakamura et al.
 D812,134 S 3/2018 Tashima et al.

D812,683 S 3/2018 Inada
 D812,684 S 3/2018 Tashima et al.
 D815,197 S 4/2018 Kim et al.
 D818,532 S 5/2018 Sato et al.
 D821,490 S 6/2018 Mita et al.
 D826,321 S * 8/2018 Kim D18/53
 D827,021 S 8/2018 Asano et al.
 D832,342 S 10/2018 Brown et al.
 D832,343 S * 10/2018 Kim D18/53
 D834,913 S 12/2018 Muntean et al.
 D841,731 S * 2/2019 Brown D18/47
 D852,880 S 7/2019 Anderson et al.
 D854,078 S 7/2019 Anderson et al.
 D861,068 S * 9/2019 Navarrete D18/56
 D865,052 S 10/2019 Oda et al.
 D868,884 S 12/2019 Inada et al.
 D899,514 S 10/2020 Chin et al.
 D900,586 S 11/2020 Pille
 D907,701 S * 1/2021 Hayashi D18/50
 D912,710 S 3/2021 Choi
 D912,711 S 3/2021 Choi
 2014/0186075 A1 7/2014 Morita
 2021/0122599 A1 4/2021 Akiyama

OTHER PUBLICATIONS

Toshiba adds to e-Studio series p. 1-26_08_2020—The Recycler.com—29707858 <https://www.therecycler.com/posts/toshiba-adds-to-e-studio-series/> (Year: 2020).
 Automatic document feeder (ADF), no date available [online], [retrieved Jun. 18, 2021], Available from Internet, URL: https://okiprinting-en-gb.custhelp.com/app/answers/detail/a_id/8219/automatic-document-feeder-%28adf%29-cover-is-open...-is-displayed.%28mc853%2C%20mc873%2C.
 U.S. Office Action on U.S. Appl. No. 29/707,863 dated Jun. 24, 2021.
 Furniture Wardrobe Cupboard Closet Drawer Handle Pull, published Mar. 15, 2018 [online], [retrieved Jul. 14, 2021], Available from Internet, URL: https://www.amazon.com/RDEXP-118x35mm-Distance-Furniture-Wardrobe/dp/B07BGT2KHT/ref=sr_1_6?dchild=1&keywords=Wooden+Drawer+Pulls&qid=1625712184&sr=8-6.
 Kethy L7804, published Mar. 14, 2018 [online], [retrieved Jul. 14, 2021], Available from internet, URL: https://web.archive.org/web/20180314082724if_/https://www.kethy.com.au/product/17804-.
 Oak Angled Pull, no date available [online] [retrieved Jul. 14, 2021], Available from internet, URL: <https://www.rockler.com/oak-angled-pull-160mm-ctc>.
 Railroad Spike, published Sep. 6, 2017 [online], [retrieved Jul. 14, 2021], Available from internet, URL: <http://www.railway-fasteners.com/news/study-of-railroad-spike-corrosion.html>.
 U.S. Office Action on U.S. Appl. No. 29/707,867 dated Aug. 6, 2021.
 Final Office Action on U.S. Appl. No. 29/707,867 dated Feb. 8, 2022.
 Notice of Allowance on U.S. Appl. No. 29/707,863 dated Jan. 20, 2022.
 Notice of Allowance on U.S. Appl. No. 29/707,867 dated May 20, 2022.

* cited by examiner

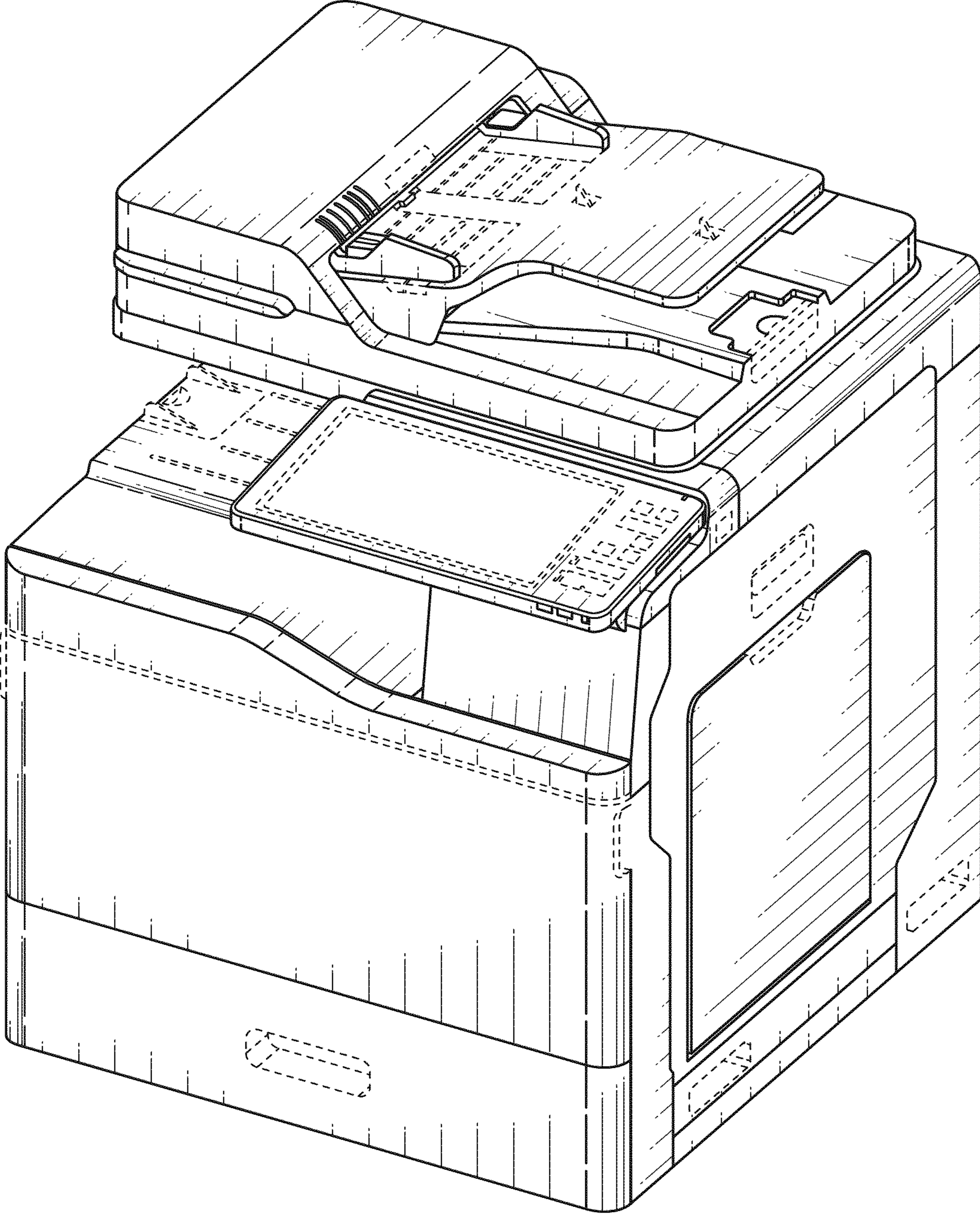


FIG. 1

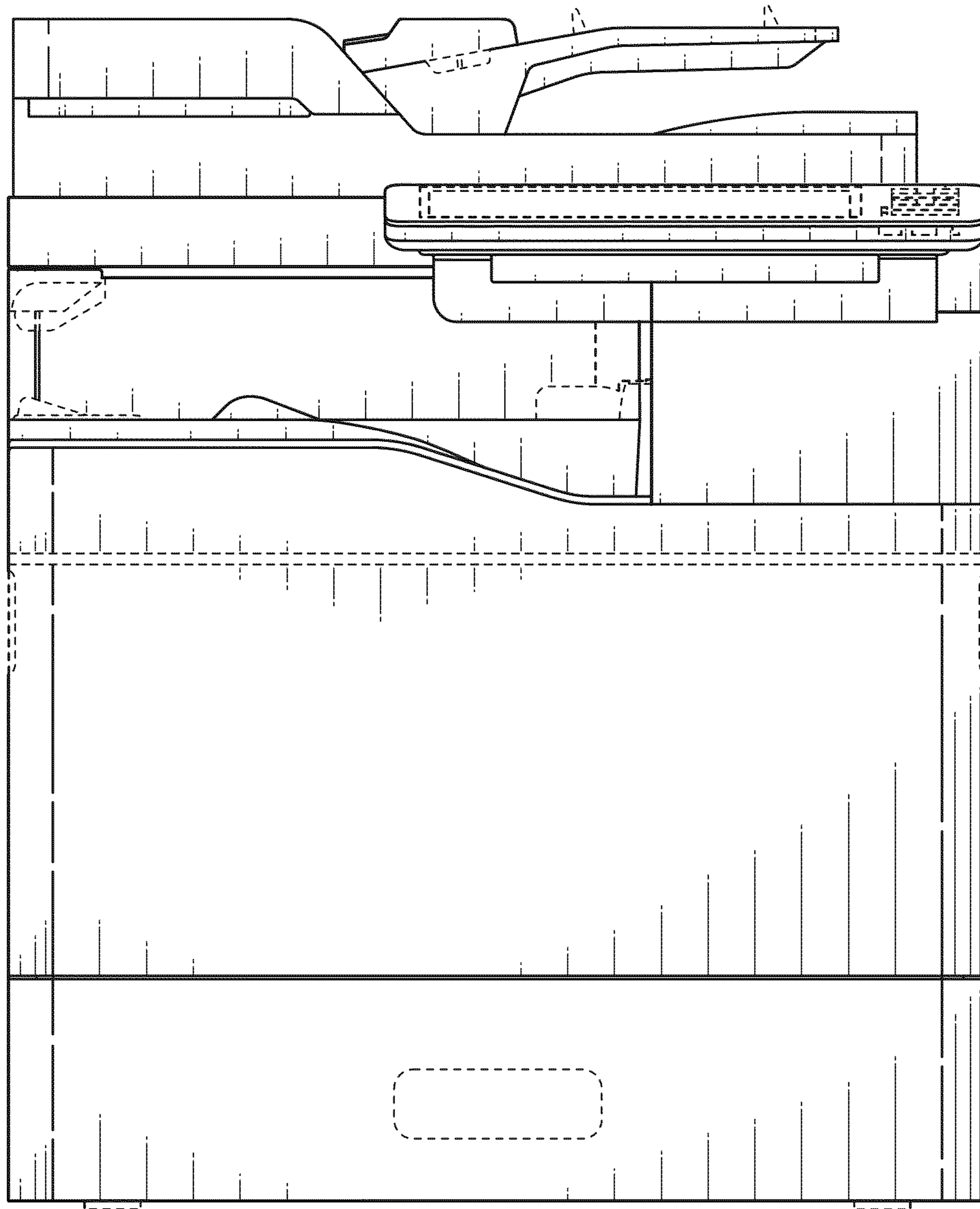


FIG. 2

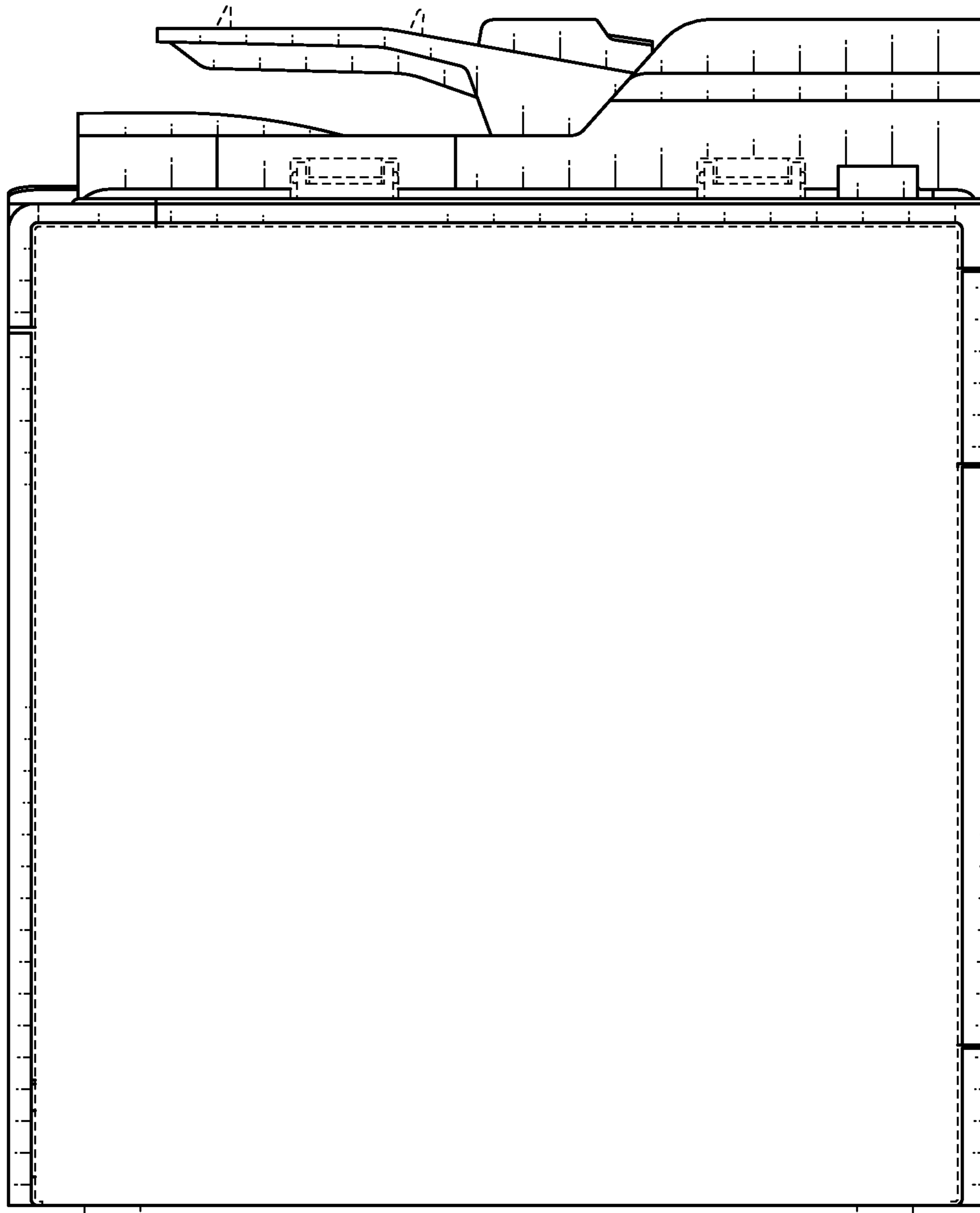


FIG. 3

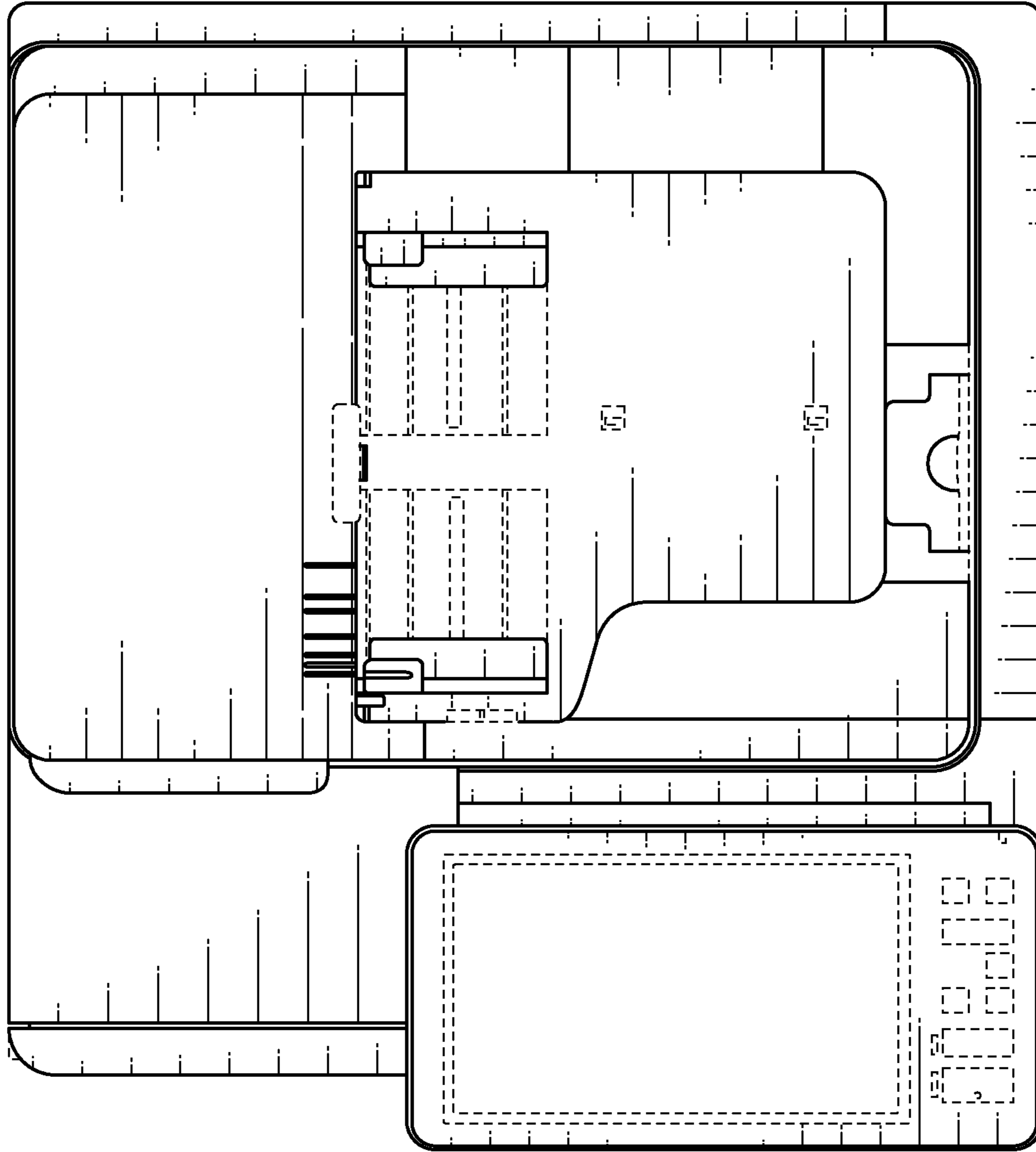


FIG. 4

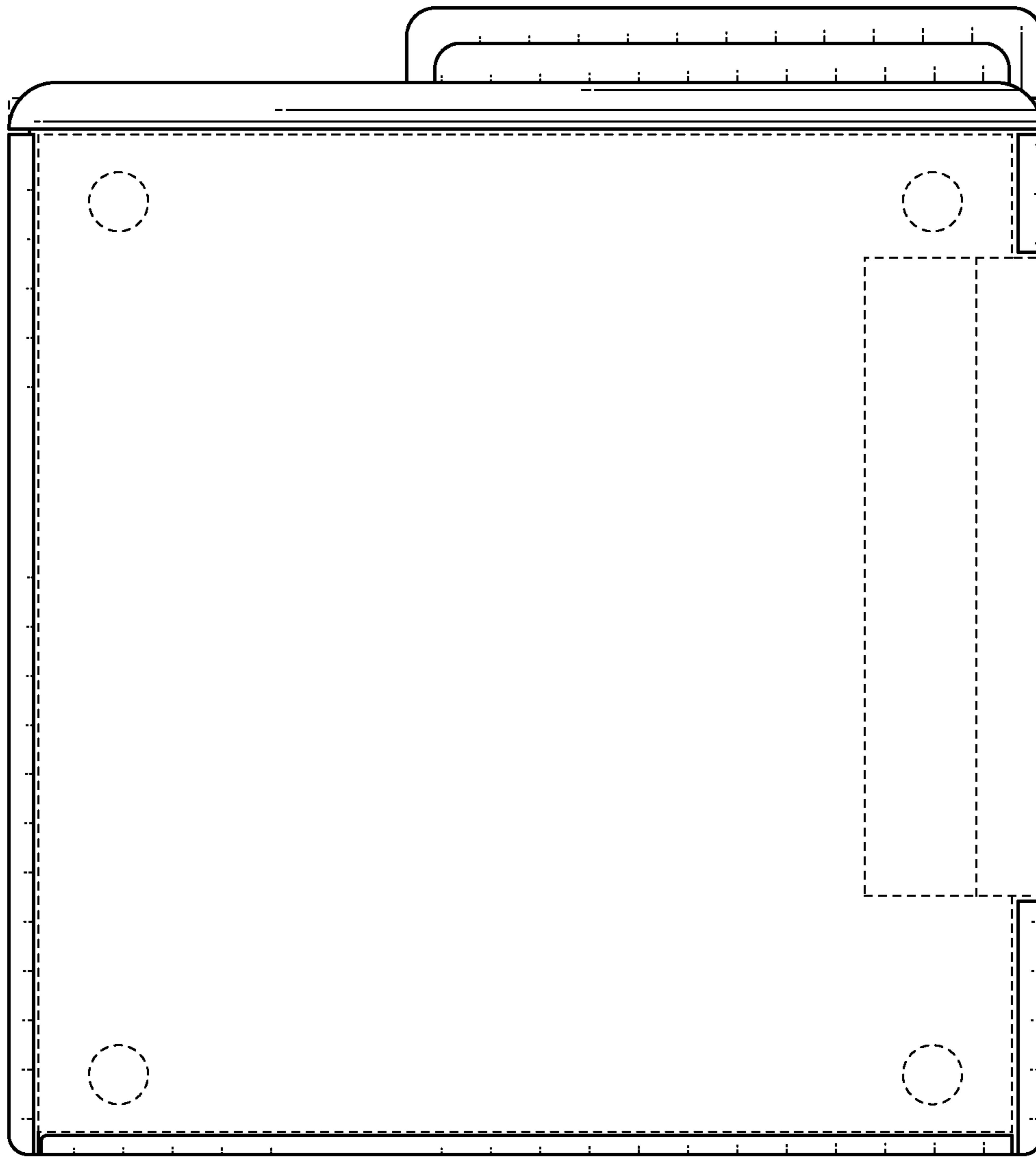


FIG. 5

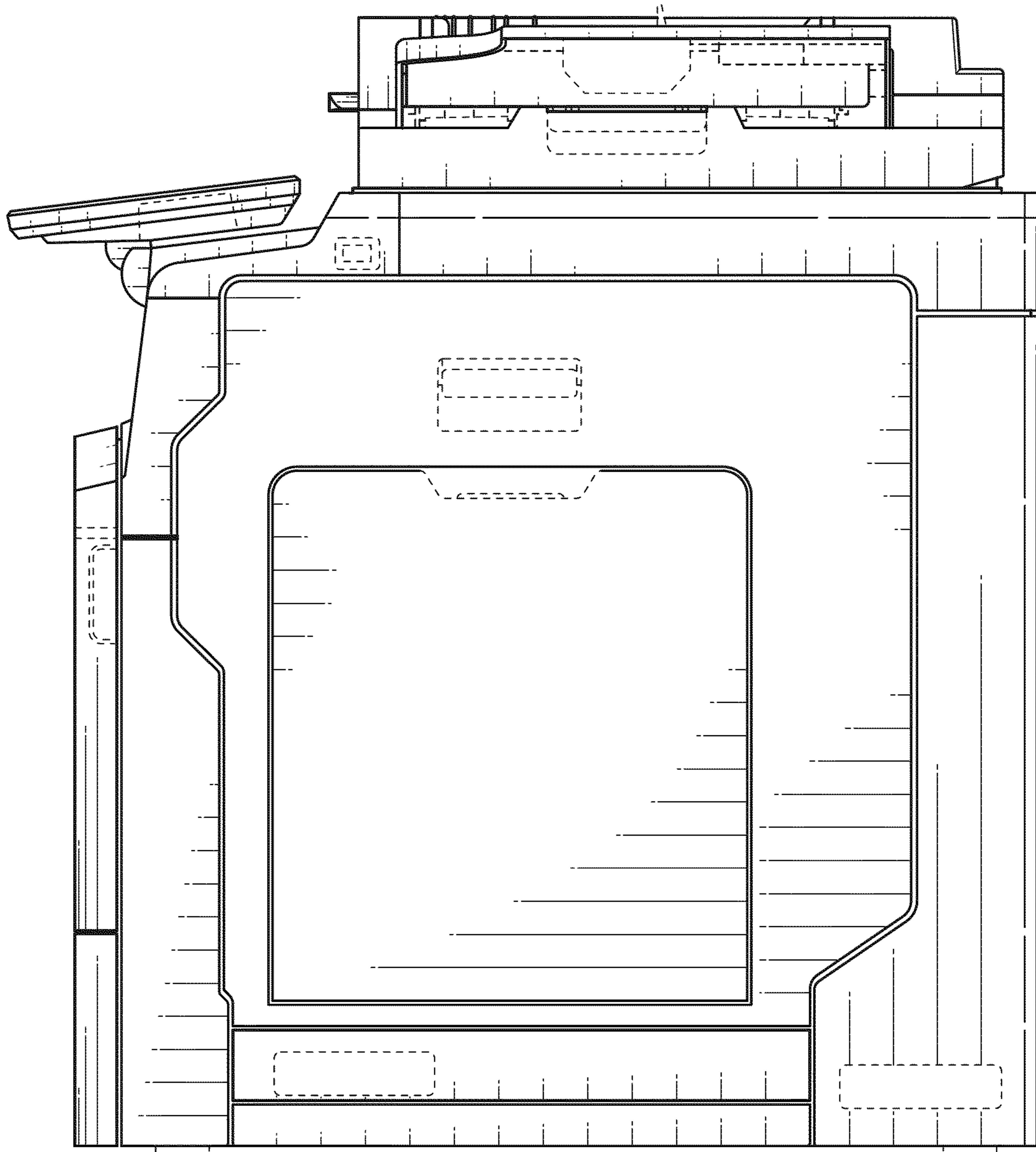


FIG. 6

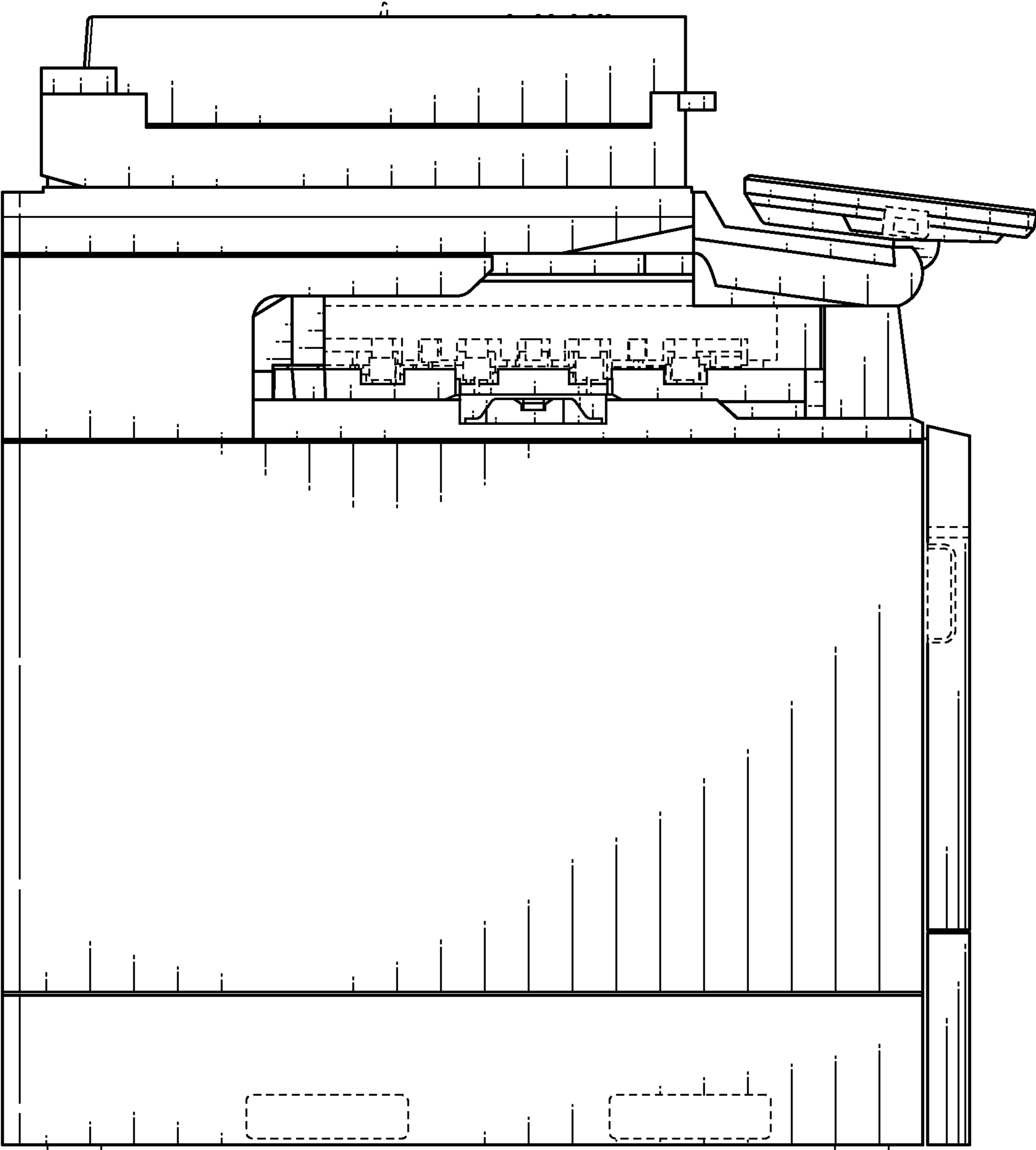


FIG. 7