



US00D978233S

(12) **United States Design Patent** (10) **Patent No.:** **US D978,233 S**
Bonaventura (45) **Date of Patent:** **** Feb. 14, 2023**

(54) **SPECTACLES**

D826,772 S * 8/2018 Yuson D11/201
D868,613 S * 12/2019 Sumi D10/126
D912,129 S * 3/2021 Bonaventura D16/334

(71) Applicant: **CARTIER INTERNATIONAL AG,**
Steinhausen (CH)

FOREIGN PATENT DOCUMENTS

(72) Inventor: **Nicola Bonaventura,** Treviso (IT)

WO WO-D203101-010 * 8/2019
WO WO-D209009-001 * 6/2020
WO WO-D101179-001 * 10/2020

(73) Assignee: **CARTIER INTERNATIONAL AG,**
Steinhausen (CH)

OTHER PUBLICATIONS

(**) Term: **15 Years**

Cartier CRESW00537 Panther sunglasses, earliest pictured Jul. 8, 2021, [online], [site visited Sep. 9, 2022]. Available from Internet, <URL:https://www.cartier.com/en-us/art-of-living/eyewear/panthere-de-cartier-sunglasses-CRESW00537.html> (Year: 2021).*

(21) Appl. No.: **29/761,970**

(Continued)

(22) Filed: **Dec. 14, 2020**

(30) **Foreign Application Priority Data**

Jun. 26, 2020 (WO) WIPO95942

Primary Examiner — Michelle E. Wilson

(51) **LOC (14) Cl.** **16-06**

Assistant Examiner — Breana Copeland

(52) **U.S. Cl.**
USPC **D16/318**

(74) *Attorney, Agent, or Firm* — Thomas I Horstemeyer, LLP

(58) **Field of Classification Search**
USPC D11/40–44; D14/372; D16/100,
D16/300–342; D29/108–110

(57) **CLAIM**

CPC G02C 5/2218; G02C 5/2236; G02C 5/143;
G02C 5/146; G02C 5/14; G02C 9/04;
G02C 9/02; A41D 27/08
See application file for complete search history.

The ornamental design for spectacles, as shown and described.

DESCRIPTION

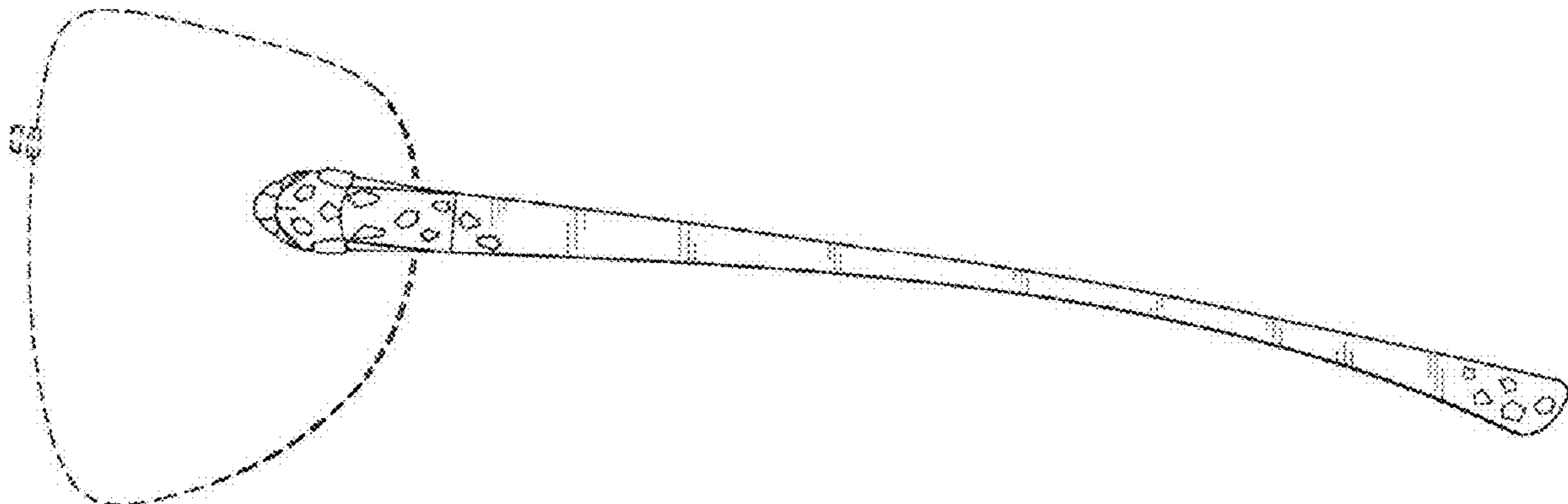
(56) **References Cited**

U.S. PATENT DOCUMENTS

D184,554 S * 3/1959 Bloch D16/307
D658,703 S * 5/2012 Sallard D16/315
D671,981 S * 12/2012 Sallard D16/326
D671,982 S * 12/2012 Fuchs D16/323
D675,662 S * 2/2013 Versace D16/314
D682,921 S * 5/2013 Sallard D16/326
D683,390 S * 5/2013 Sallard D16/323
D764,569 S * 8/2016 Sallard D16/326

FIG. 1 is a perspective view of spectacles, showing my new design;
FIG. 2 is a front view thereof;
FIG. 3 is a rear view thereof;
FIG. 4 is a side view thereof;
FIG. 5 is a side view thereof, opposite that of FIG. 4;
FIG. 6 is a top view thereof; and,
FIG. 7 is a bottom view thereof.
The broken lines shown in the drawings of spectacles are for the purpose of illustrating the environment and form no part of the claimed design.

1 Claim, 7 Drawing Sheets



(56)

References Cited

OTHER PUBLICATIONS

Cool Frames Cartier CT0062S, earliest pictured Aug. 4, 2020, [online], [site visited Sep. 9, 2022]. Available from Internet, <URL:<https://www.coolframes.com/glasses/cartier-eyewear/ct0062s-designer-sunglasses.html>> (Year: 2020).*

Cool Frames Cartier CT0266S, earliest pictured Aug. 1, 2021, [online], [site visited Sep. 9, 2022]. Available from Internet, <URL:<https://www.coolframes.com/glasses/cartier-eyewear/ct0266s-designer-sunglasses.html>> (Year: 2021).*

Google Image Search, cartier jaguar sunglasses, [online], [site visited Sep. 9, 2022]. Available from Internet, <URL:https://www.google.com/search?q=cartier+jaguar+sunglasses&rlz=1C1GCEA_enUS1001US1001&source=lnms&tbm=isch&sa=X&ved=2ahUKEwjl1s%E2%80%A6> (Year: 2022).*

* cited by examiner

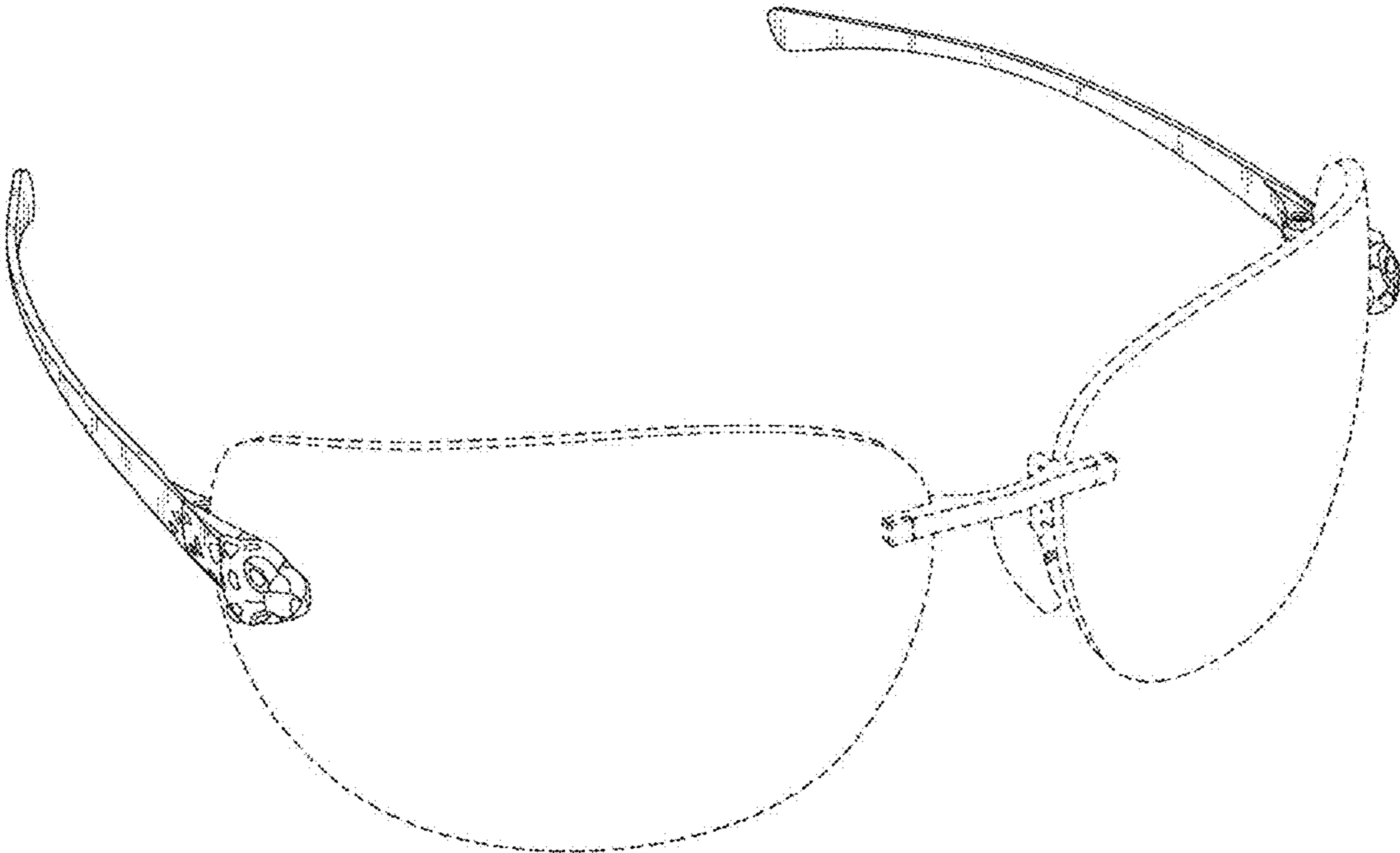


FIG. 1

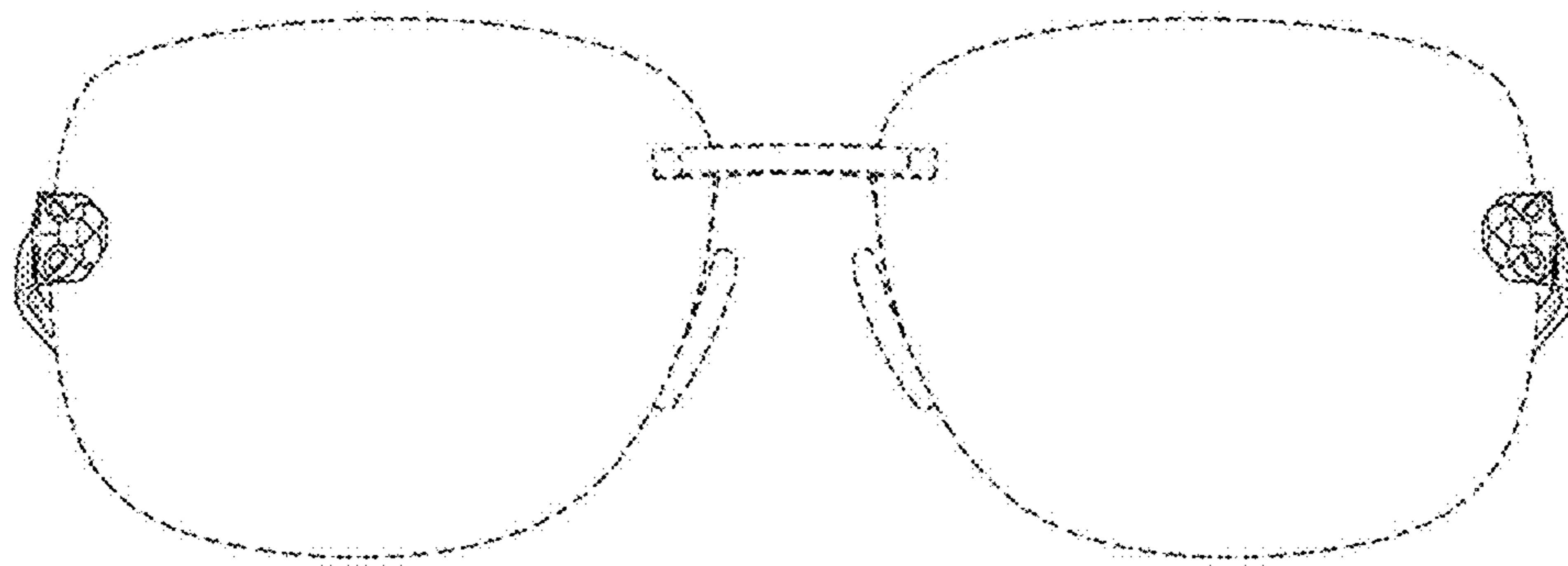


FIG. 2

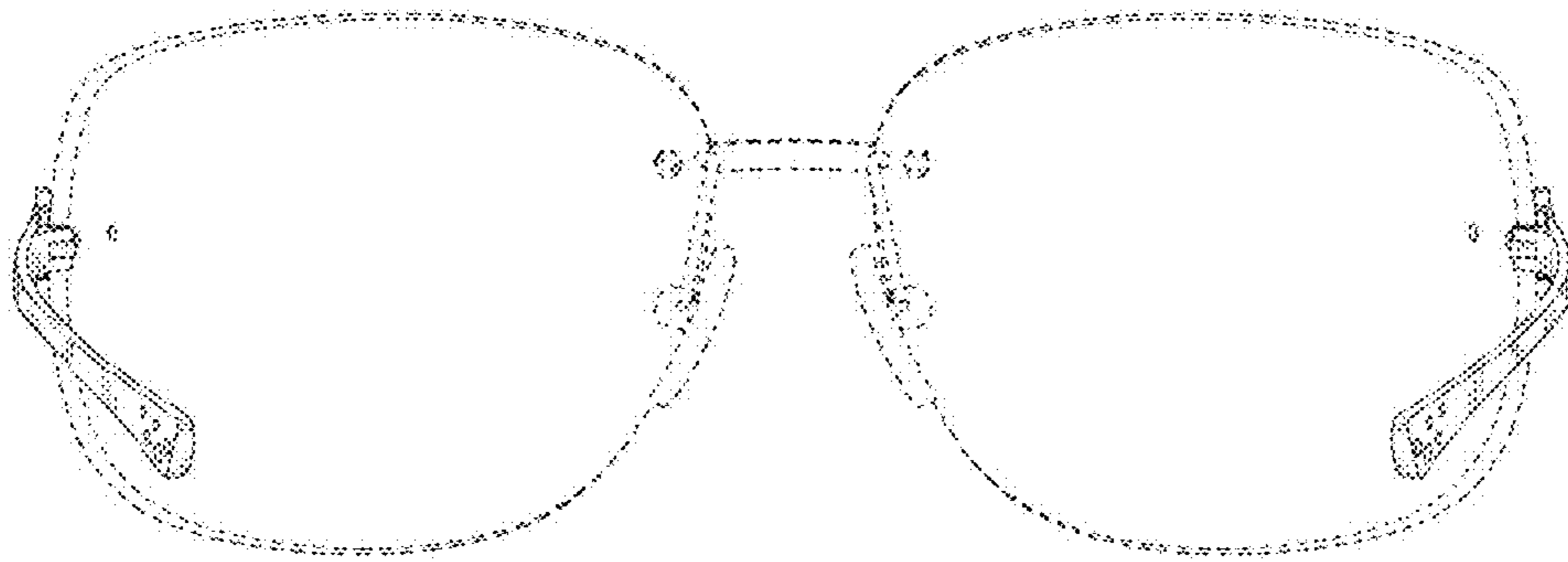


FIG. 3

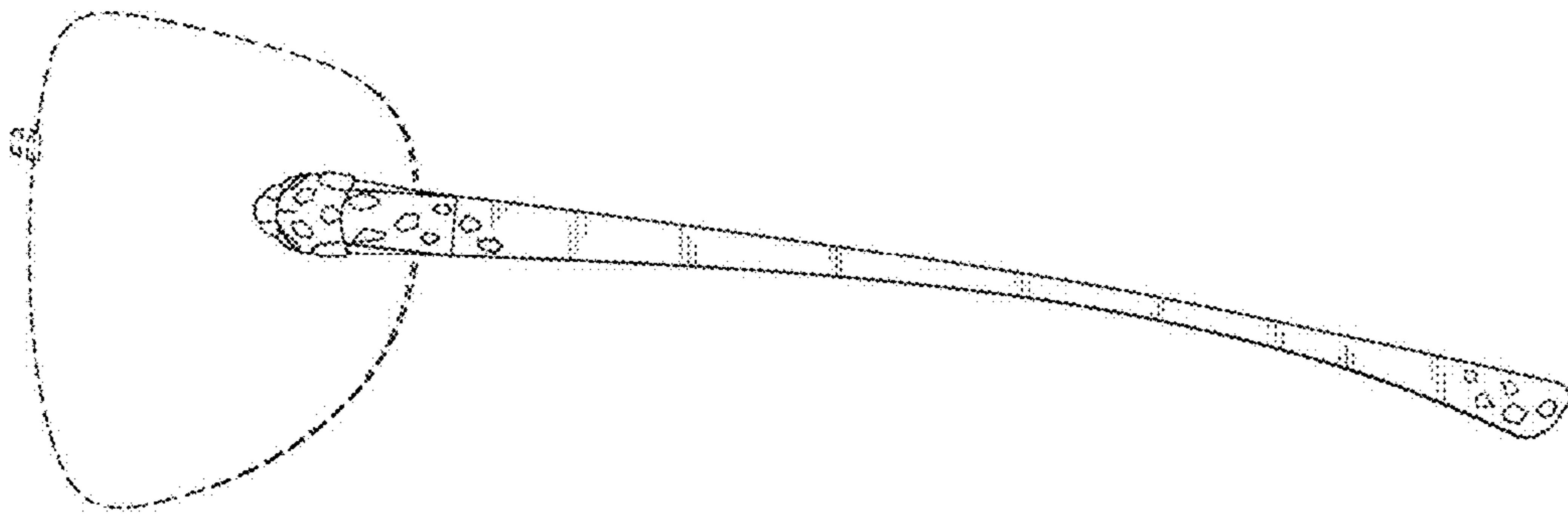


FIG. 4

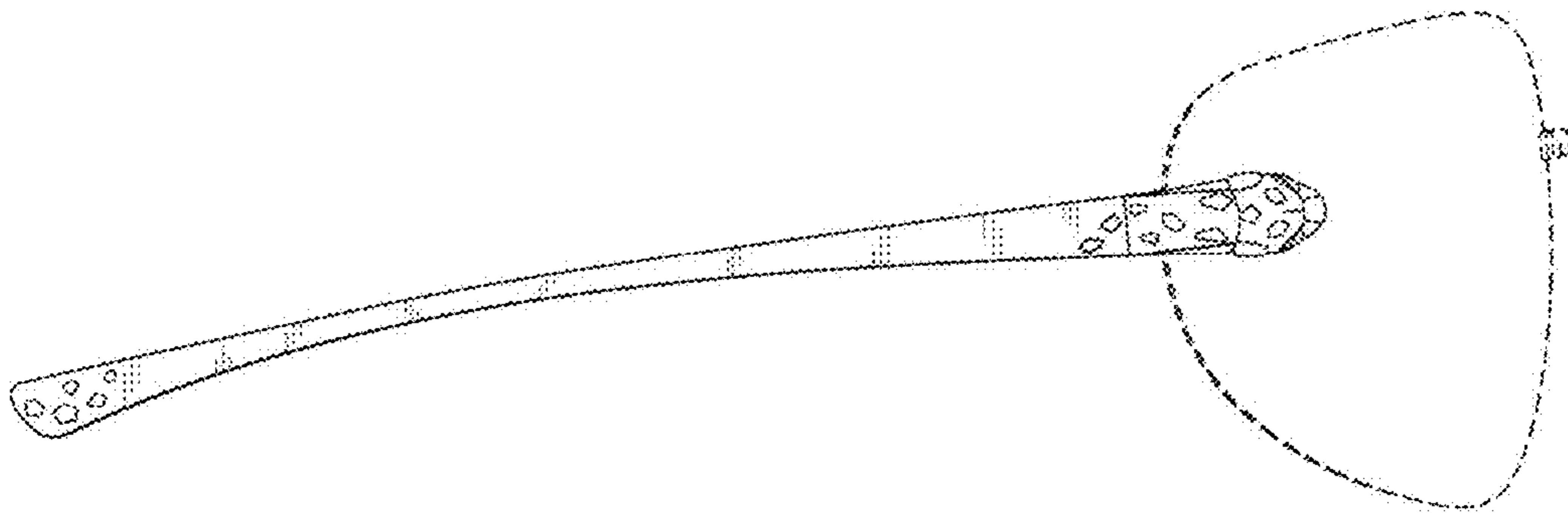


FIG. 5



FIG. 6

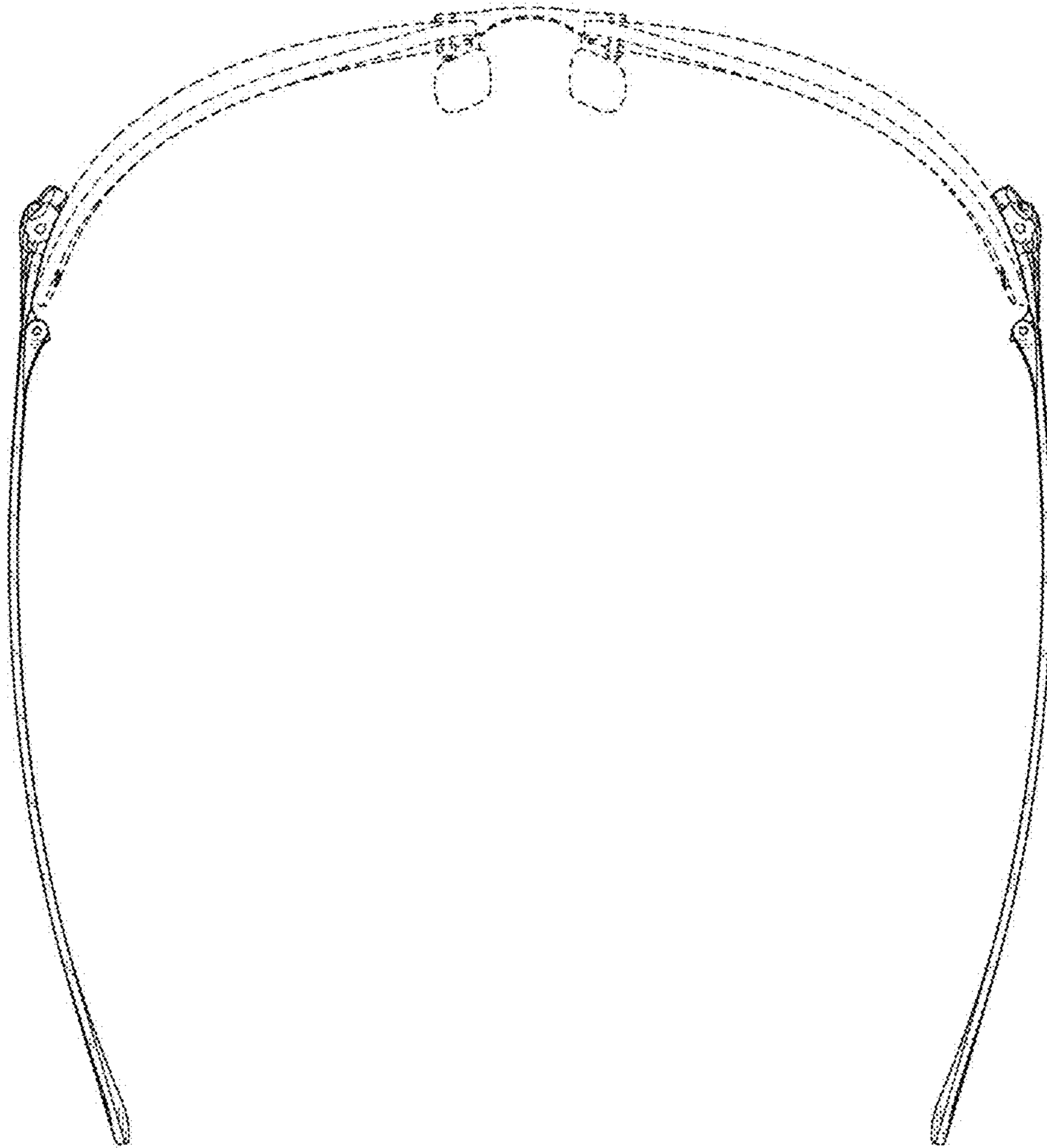


FIG. 7