



US00D978232S

(12) **United States Design Patent** (10) **Patent No.:** **US D978,232 S**
Deshmukh et al. (45) **Date of Patent:** **** Feb. 14, 2023**

(54) **GOGGLE**
(71) Applicant: **Therabody, Inc.**, Los Angeles, CA (US)
(72) Inventors: **Mandar Deshmukh**, Los Angeles, CA (US); **Eduardo Merino**, Los Angeles, CA (US); **Jaime Sanchez Solana**, Los Angeles, CA (US)

CN 304337489 10/2017
CN 304402475 12/2017
CN 304982787 1/2019
CN 305318901 8/2019
CN 305349253 9/2019
CN 305501003 12/2019
CN 305555921 1/2020
CN 305611712 2/2020

(Continued)

(73) Assignee: **Therabody, Inc.**, Los Angeles, CA (US)

(**) Term: **15 Years**

(21) Appl. No.: **29/836,756**

(22) Filed: **Apr. 28, 2022**

(51) **LOC (14) Cl.** **16-06**

(52) **U.S. Cl.**
USPC **D16/312; D24/206**

(58) **Field of Classification Search**
USPC D16/300, 301, 303, 311, 312; D24/206; D14/192, 205
CPC A61F 9/04; A61F 9/02; A61H 2205/024; A63B 33/002; A63B 33/004; A63B 33/006; A63B 33/00; A63B 69/18; G02C 7/101
See application file for complete search history.

(56) **References Cited**

U.S. PATENT DOCUMENTS

D834,755 S * 11/2018 Schempp D29/110
D895,830 S * 9/2020 Nakamura D16/303
D944,885 S * 3/2022 Choi D16/300
2017/0131553 A1 * 5/2017 Pletenetsky G02C 7/081
2019/0053948 A1 * 2/2019 Schempp A62B 23/025

FOREIGN PATENT DOCUMENTS

CN 303798351 8/2016
CN 304016902 1/2017

OTHER PUBLICATIONS

Bomoco Eye Massager with Heat and Vibration, posted at amazon.com, posting date Apr. 27, 2022, [online], [site visited Dec. 11, 2022]. Available from Internet, URL: <https://www.amazon.com/dp/B09YY9B3W4/> (Year: 2022).*

(Continued)

Primary Examiner — Maria J. Edwards

(74) *Attorney, Agent, or Firm* — Sterne, Kessler, Goldstein & Fox P.L.L.C.

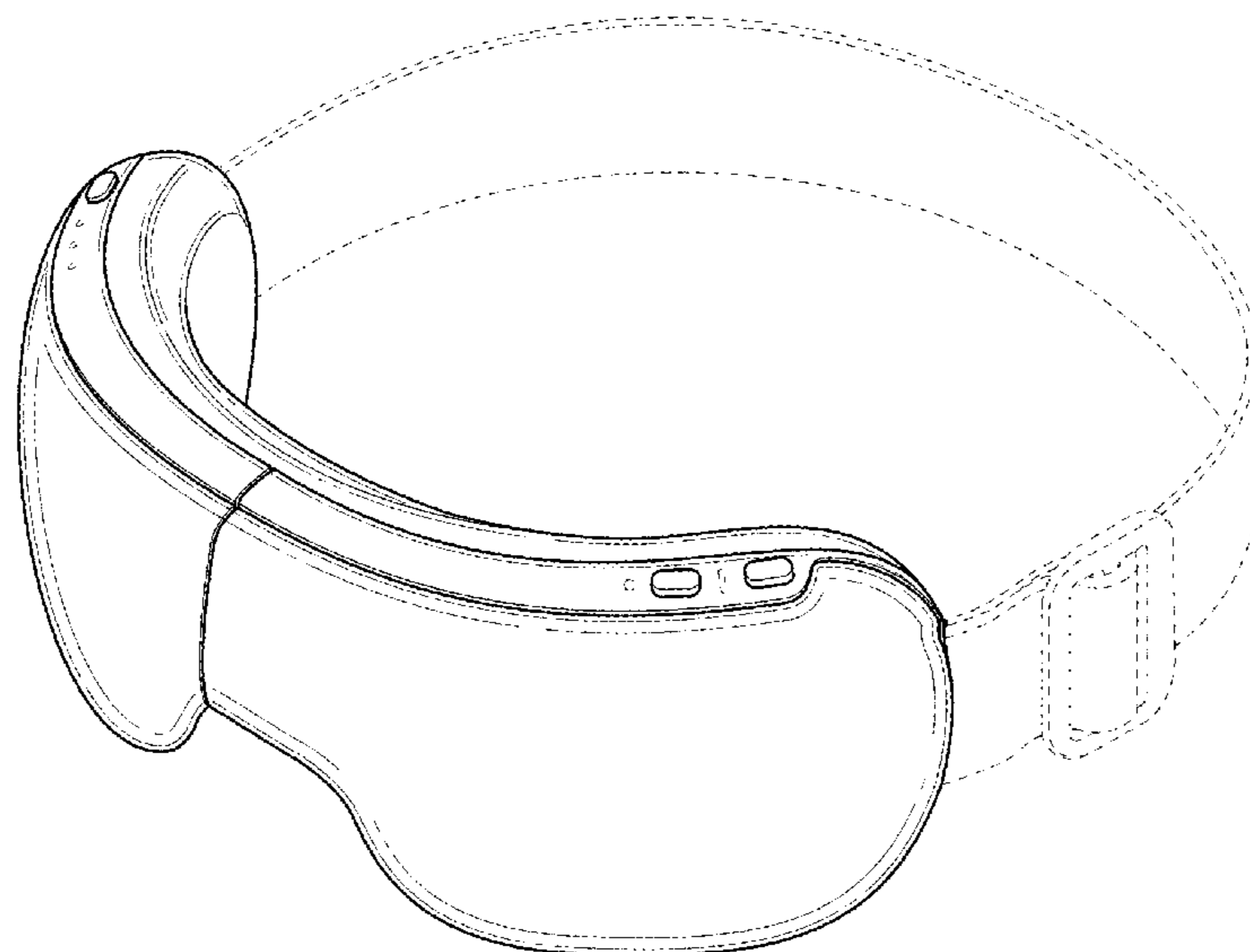
(57) **CLAIM**

The ornamental design for a goggle, as shown and described.

DESCRIPTION

FIG. 1 is a top front perspective view of a goggle showing the claimed design;
FIG. 2 is a bottom rear perspective view thereof;
FIG. 3 is a front elevation view thereof;
FIG. 4 is a rear elevation view thereof;
FIG. 5 is another rear elevation view thereof, with portions removed to more clearly show the design;
FIG. 6 is a right side elevation view thereof;
FIG. 7 is a left side elevation view thereof;
FIG. 8 is a top plan view thereof; and,
FIG. 9 is a bottom plan view thereof.
The broken lines in the figures show portions of the goggle that form no part of the claimed design.

1 Claim, 7 Drawing Sheets



(56)

References Cited

FOREIGN PATENT DOCUMENTS

CN	305738333	4/2020
CN	305872601	6/2020
CN	306184674	11/2020
CN	306339053	2/2021
CN	306339102	2/2021
CN	306554191	5/2021
CN	306623311	6/2021
CN	306682839	7/2021
CN	306724806	7/2021
CN	306754485	8/2021
CN	306798663	8/2021
CN	307138150	3/2022

OTHER PUBLICATIONS

Breo iSee4 Eye Massager, posted at amazon.com, posting date Jul. 7, 2020, [online], [site visited Dec. 11, 2022]. Available from Internet, URL: <https://www.amazon.com/dp/B08CGS7C16/> (Year: 2020).*

Cfeneyol Eye Massager, posted at amazon.com, posting date Nov. 3, 2021, [online], [site visited Dec. 11, 2022]. Available from

Internet, URL: <https://www.amazon.com/dp/B09KX3J2KP/> (Year: 2021).*

Renpho Eye Massager with Heat, posted at amazon.com, posting date Jul. 16, 2020, [online], [site visited Dec. 11, 2022]. Available from Internet, URL: <https://www.amazon.com/RENPHO-Updated-Compression-Bluetooth-Rechargeable/dp/B088BJ8B1G/> (Year: 2020).*

Rhmip Eye Massager with Heat, posted at amazon.com, posting date Oct. 23, 2021, [online], [site visited Dec. 11, 2022]. Available from Internet, URL: <https://www.amazon.com/dp/B09K4LK8ZQ/> (Year: 2021).*

SereneLife SLEYMSG40 Smart Eye Massager, posted at walmart.com, posting date Nov. 30, 2021, [online], [site visited Dec. 11, 2022]. Available from Internet, URL: <https://www.walmart.com/ip/SereneLife-SLEYMSG40-Smart-Eye-Massager-with-Heat-Pressure-Point-Therapy/390691257> (Year: 2021).*

Therabody SmartGoggles, posted at self.com, posting date Sep. 20, 2022, [online], [site visited Dec. 11, 2022]. Available from Internet, URL: <https://www.self.com/story/therabody-smartgoggles> (Year: 2022).*

Eye Massager with Airbag Kneading, Constant Temperature Hot Compress, Multi-Frequency Vibration and Bluetooth Music (L, White), TLINNA. First available Nov. 12, 2019. https://www.amazon.com/Massager-Temperature-Multi-Frequency-Vibration-Bluetooth/dp/B09PR7C6NC/ref=dp_coos_1?pd_rd_i=B09PR7C6NC&psc=1.

* cited by examiner

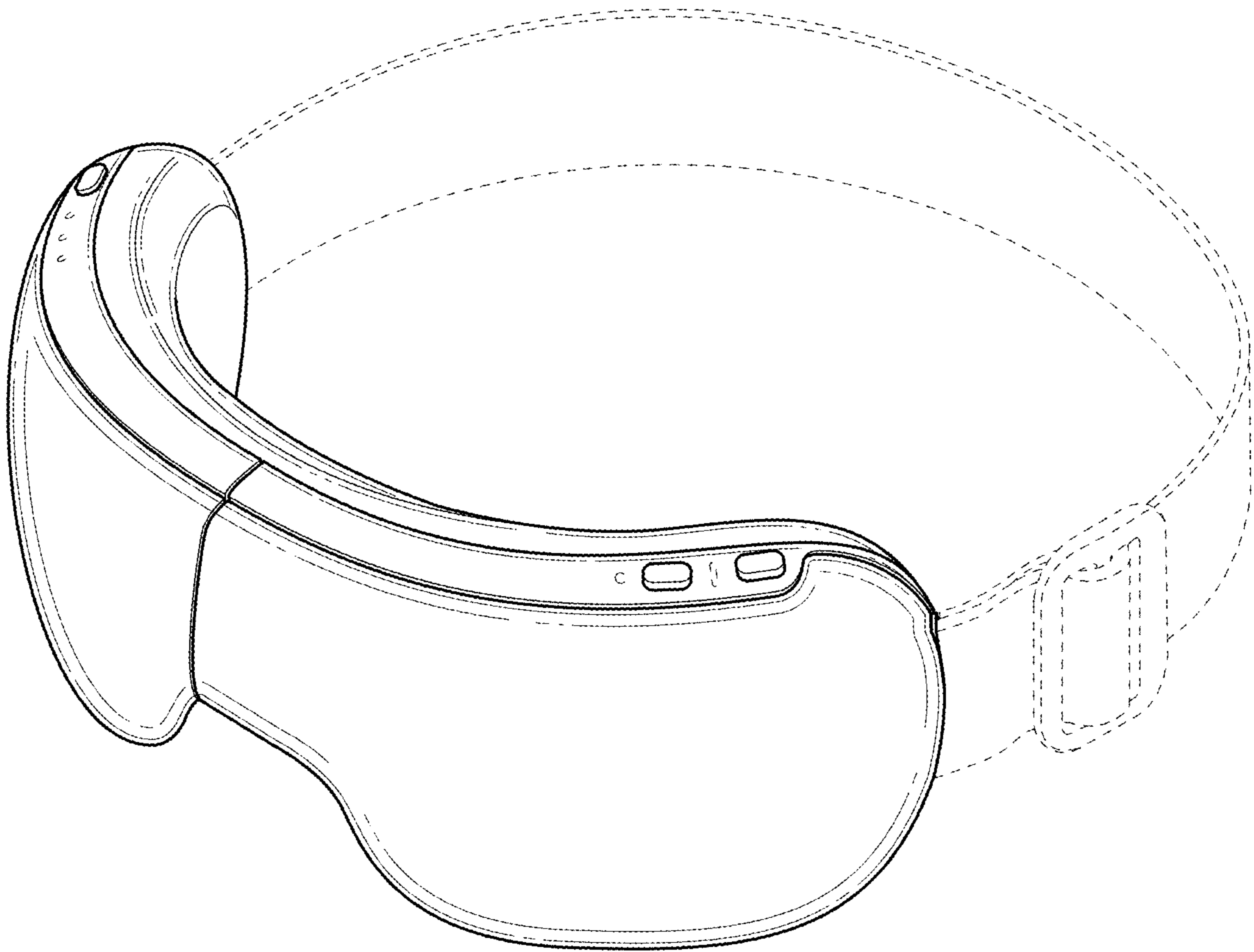


FIG. 1

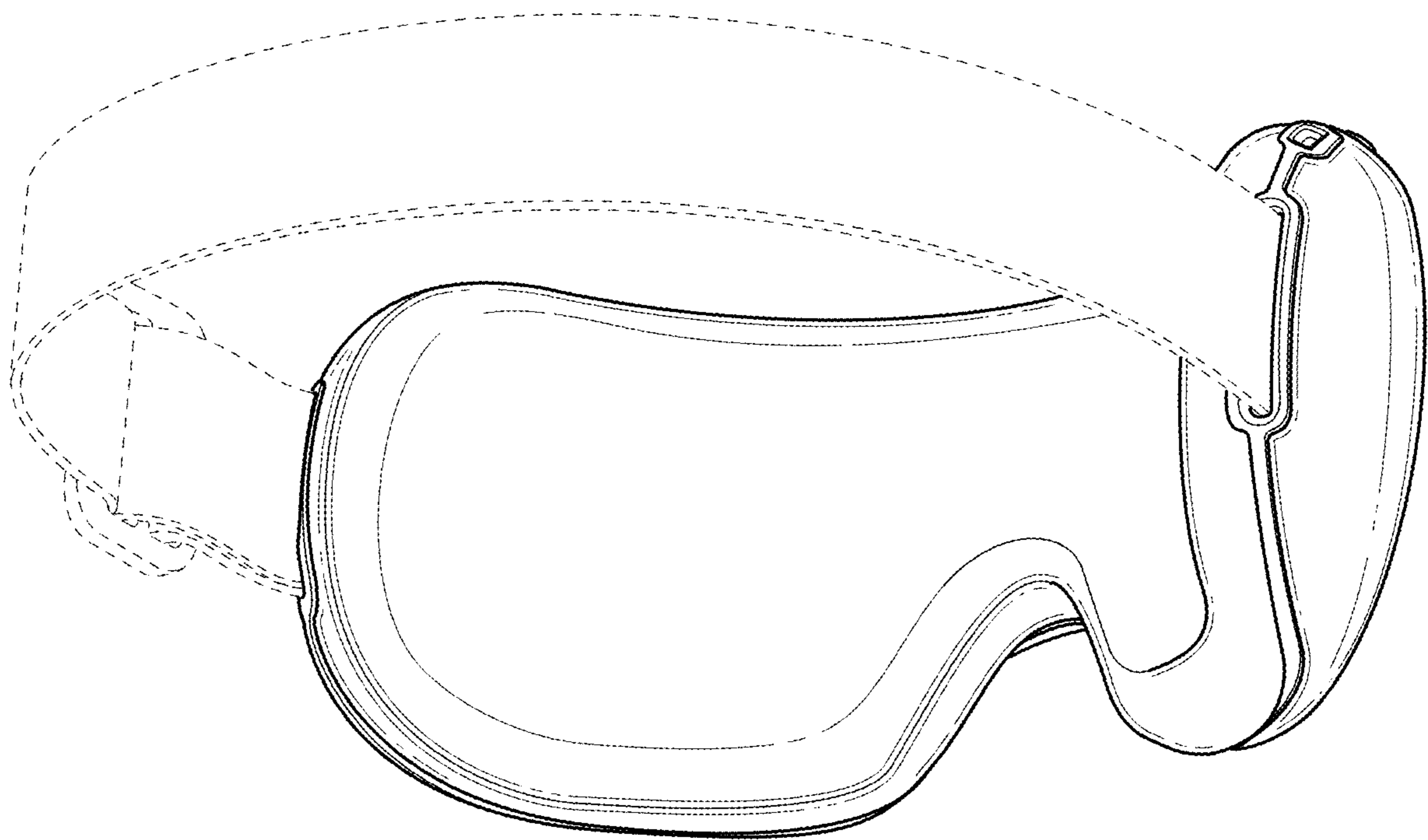


FIG. 2

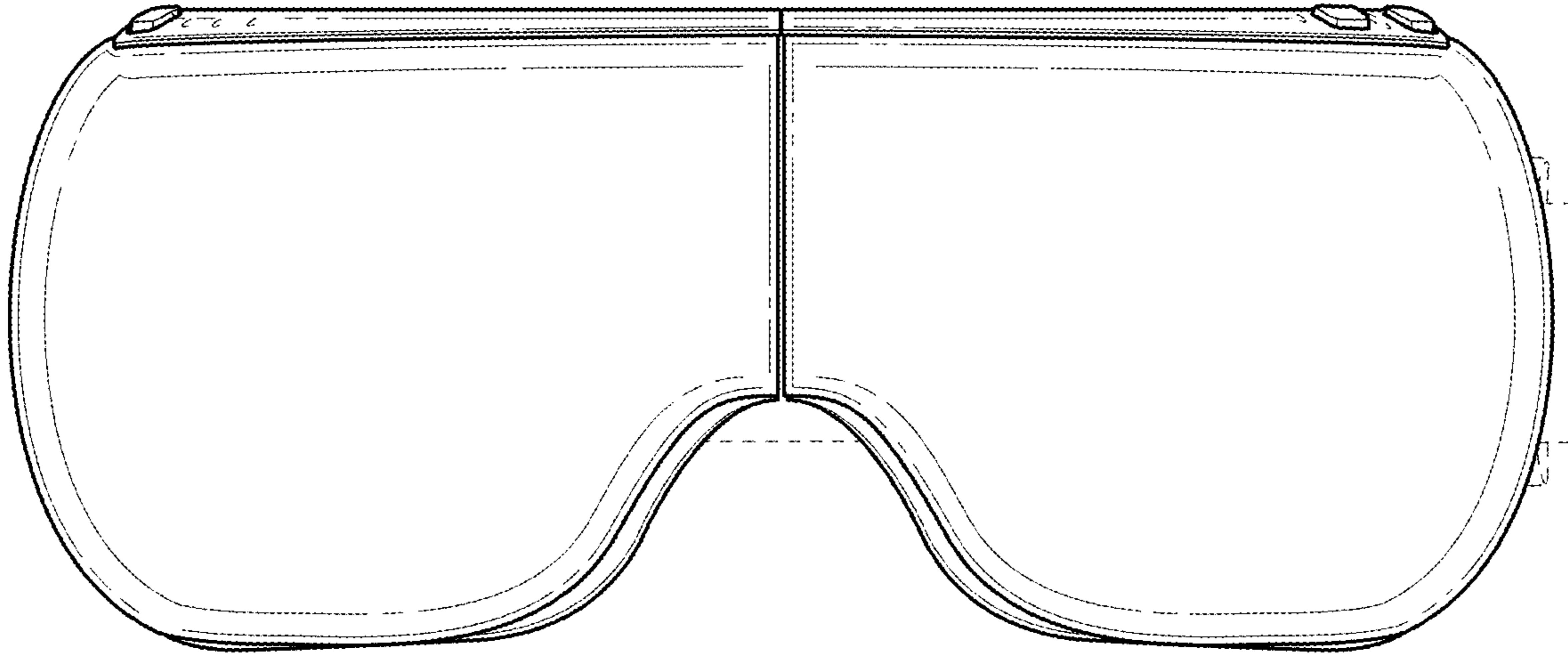


FIG. 3

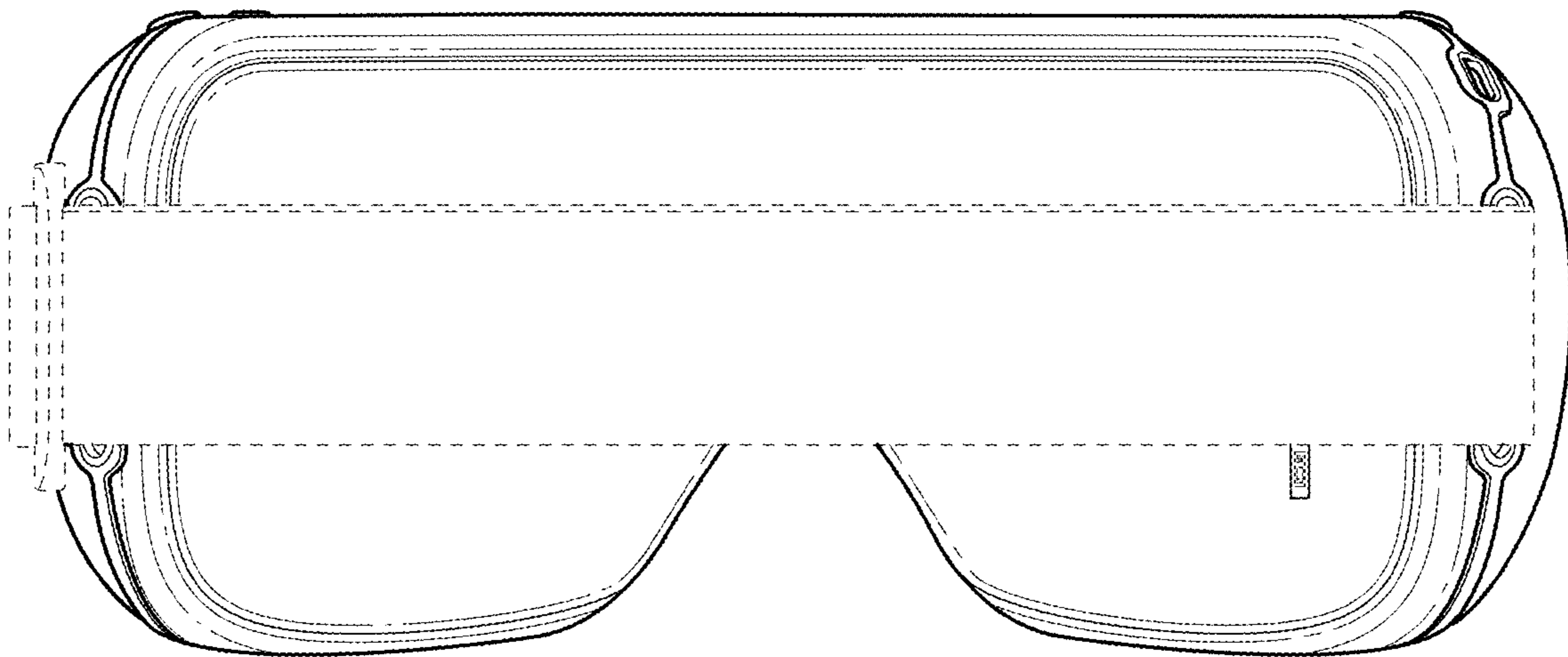


FIG. 4

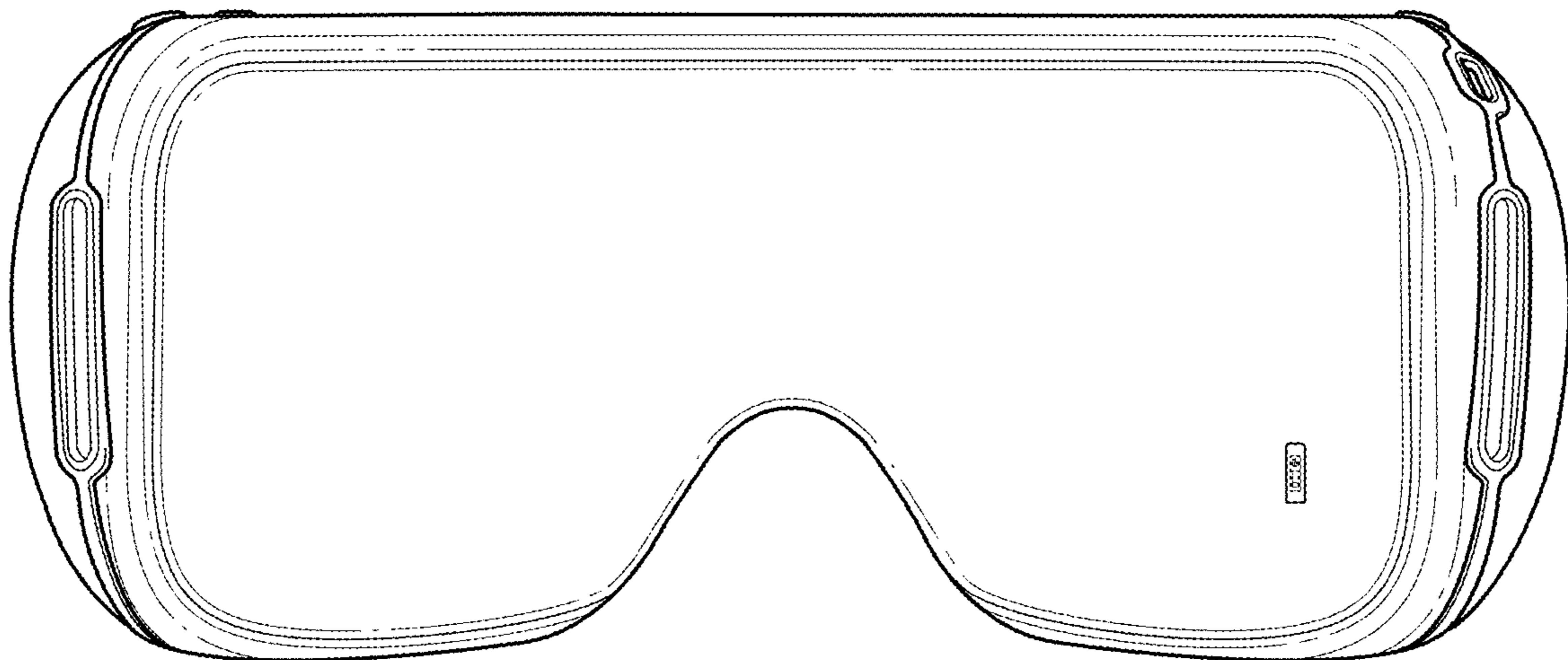


FIG. 5

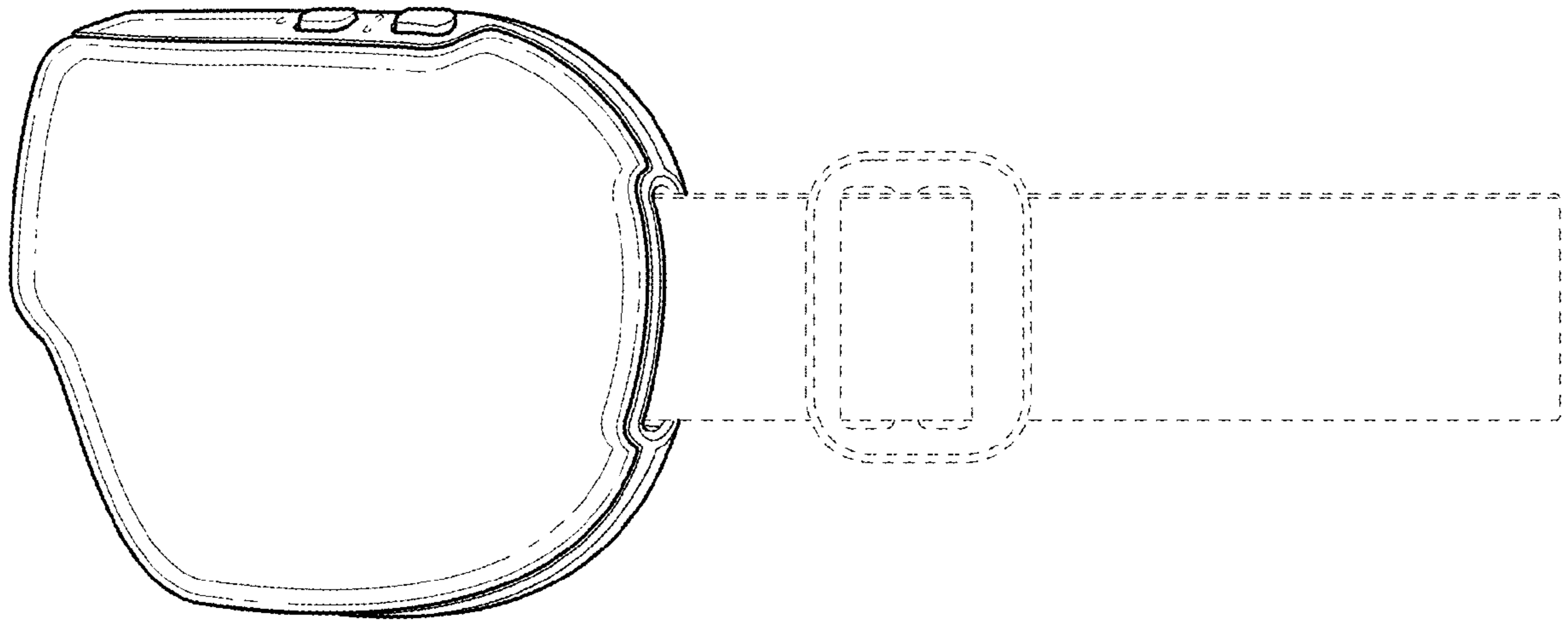


FIG. 6

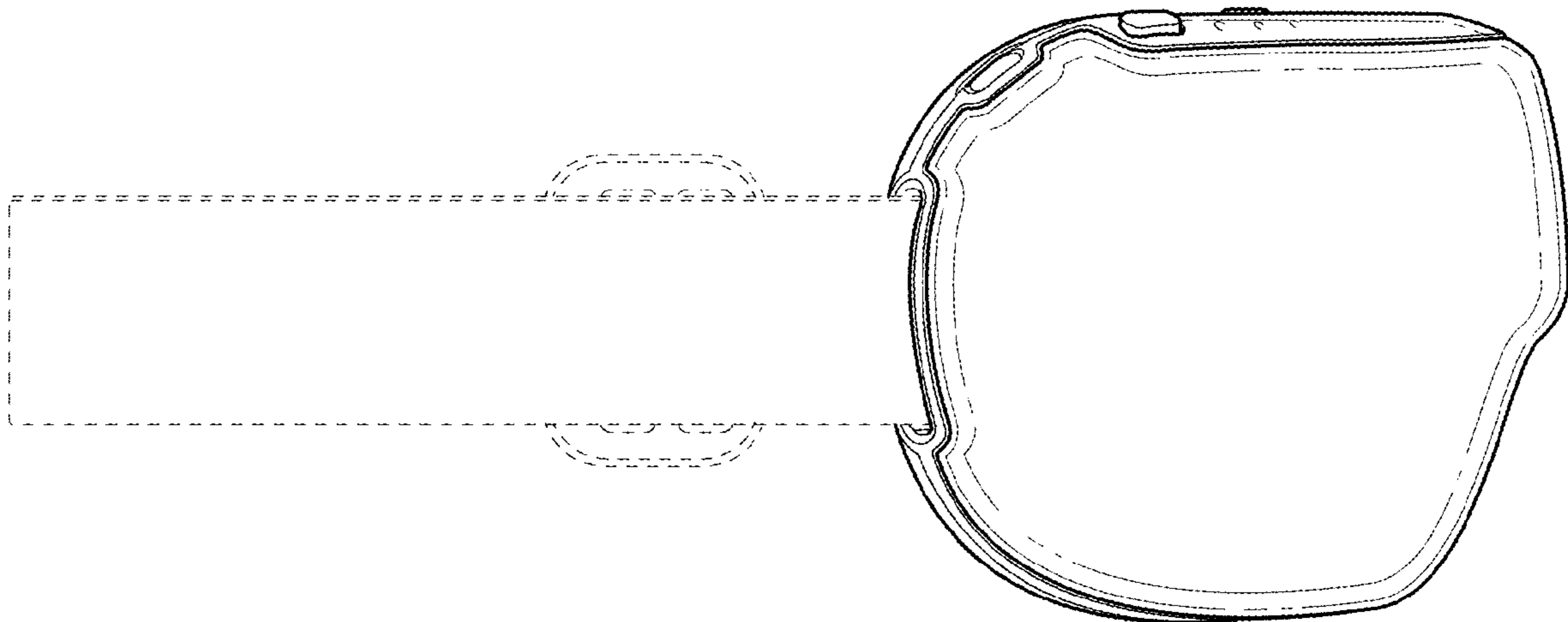


FIG. 7

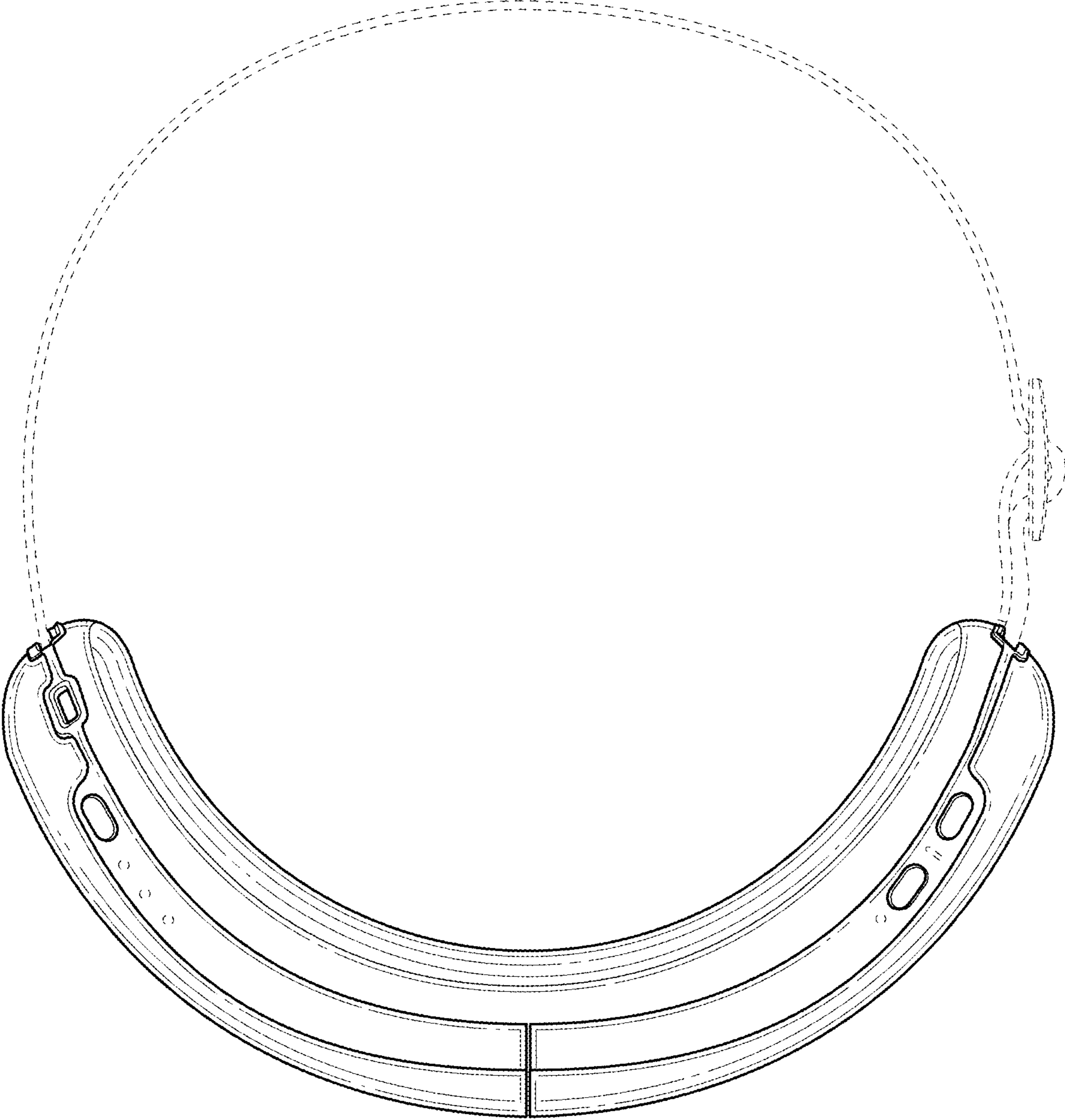


FIG. 8

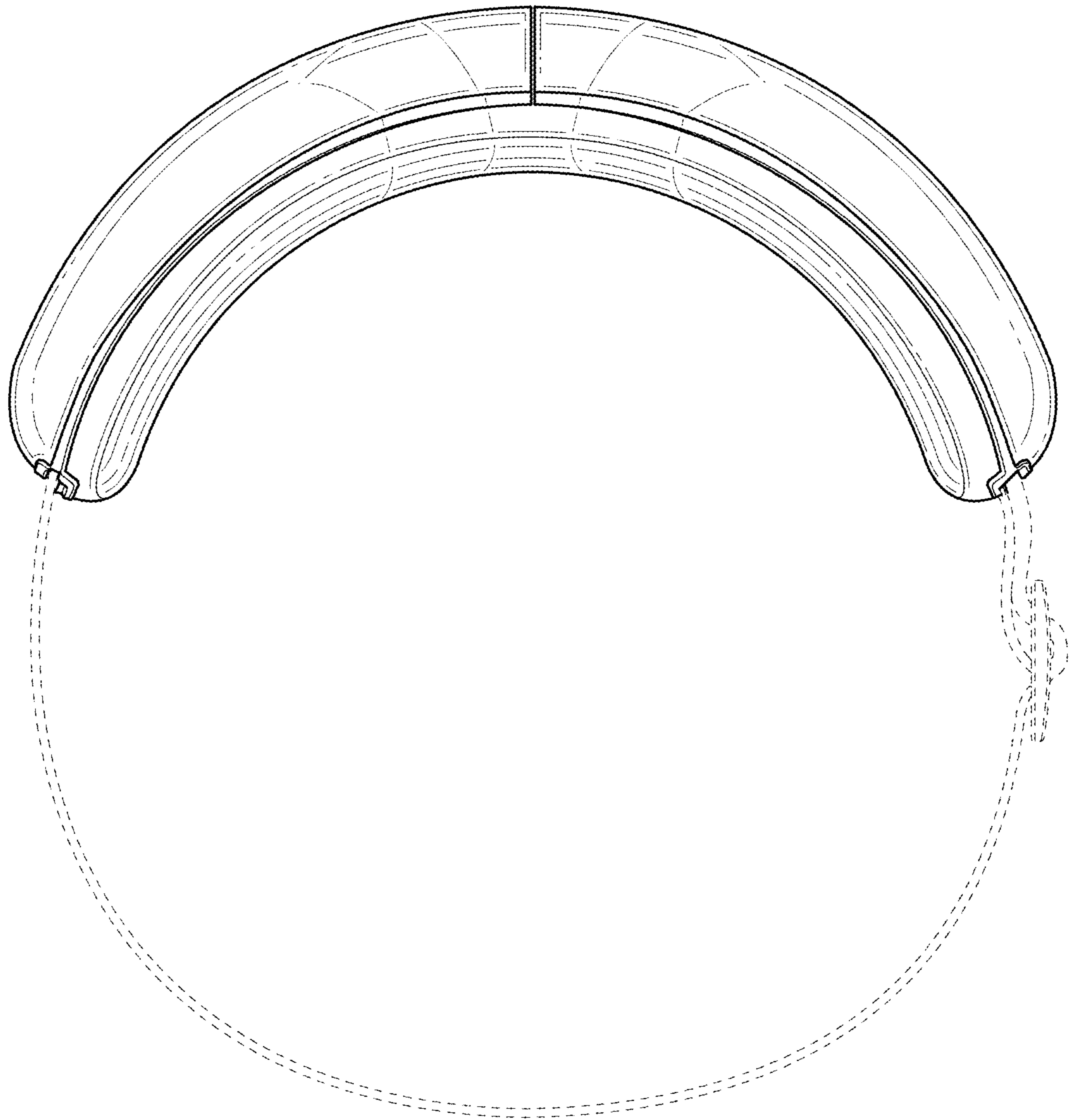


FIG. 9