

US00D978230S

(12) **United States Design Patent**
Li

(10) **Patent No.:** **US D978,230 S**

(45) **Date of Patent:** **** Feb. 14, 2023**

(54) **TRIPOD**

(71) Applicant: **Feng Li**, Jinshi (CN)

(72) Inventor: **Feng Li**, Jinshi (CN)

(**) Term: **15 Years**

(21) Appl. No.: **29/842,467**

(22) Filed: **Jun. 14, 2022**

(51) **LOC (14) Cl.** **16-05**

(52) **U.S. Cl.**
USPC **D16/244**

(58) **Field of Classification Search**
USPC D16/208–209, 219, 237, 242–250;
D14/253

CPC G03B 17/02; G03B 17/56; G03B 17/04;
G03B 17/561–566; G03B 15/03; H04N
5/2251; H04N 5/2252; H04N 5/2253;
H04N 5/2254; G02B 7/02; G02B 7/04;
G02B 7/14

See application file for complete search history.

(56) **References Cited**

U.S. PATENT DOCUMENTS

D607,036 S *	12/2009	Darrow	D16/244
D839,339 S *	1/2019	Balmer	D16/244
D870,800 S *	12/2019	Xu	D16/244
D881,981 S *	4/2020	Li	D16/244
10,718,464 B2 *	7/2020	Li	F16M 11/14
D896,302 S *	9/2020	Chen	D16/244
D898,107 S *	10/2020	Tan	D16/244
D902,987 S *	11/2020	Liu	D16/244
D915,494 S *	4/2021	Zeng	D16/244

D916,173 S	4/2021	Zeng	
D916,174 S	4/2021	Gong	
D917,604 S	4/2021	Zeng	
D917,605 S *	4/2021	Shen D16/244
D946,076 S *	3/2022	Zhou D16/244
D955,466 S *	6/2022	Wada D16/244
D960,966 S *	8/2022	Tan D16/244

* cited by examiner

Primary Examiner — Ramzi Almatrahi

(74) *Attorney, Agent, or Firm* — Runit Ranjit Kanakia

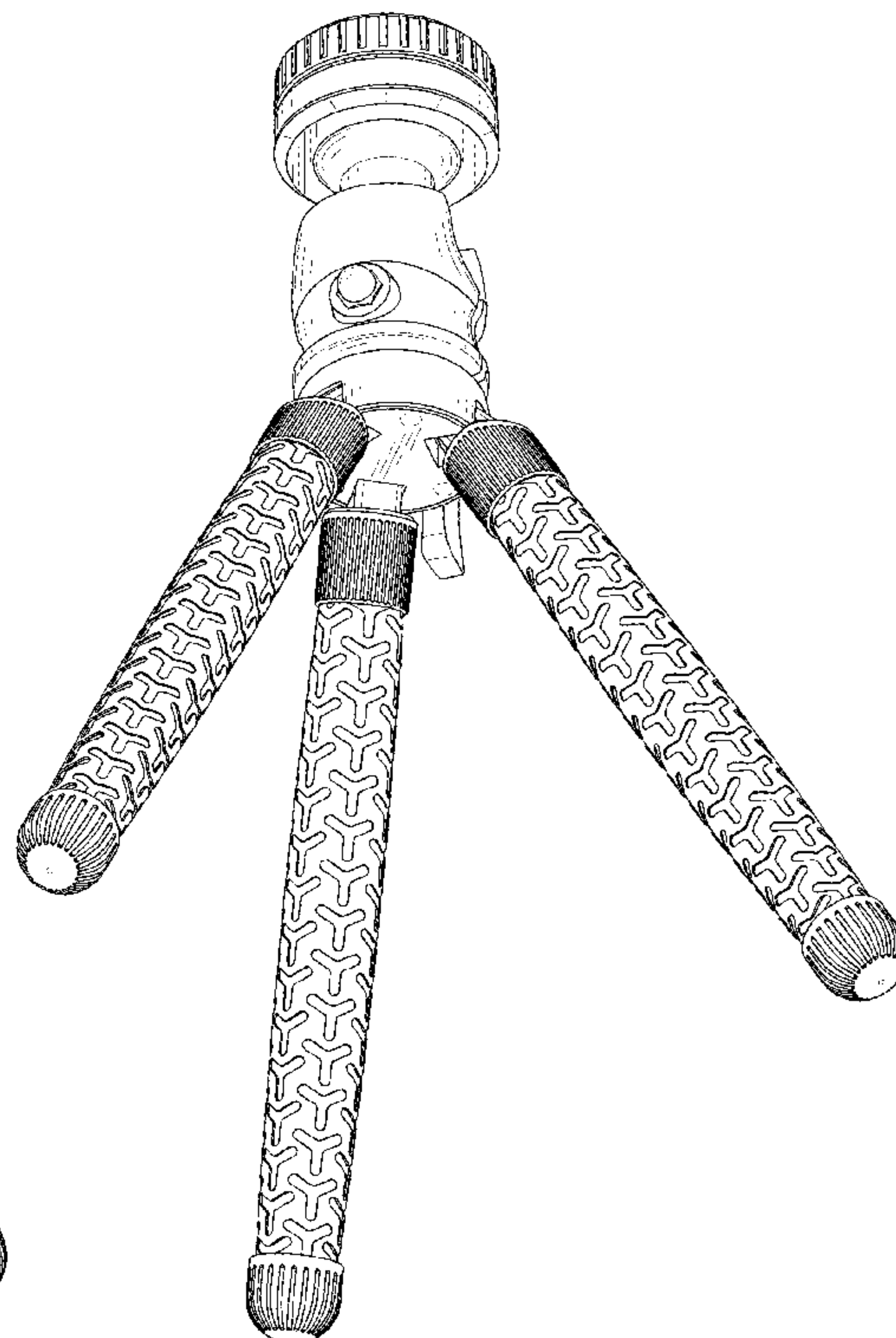
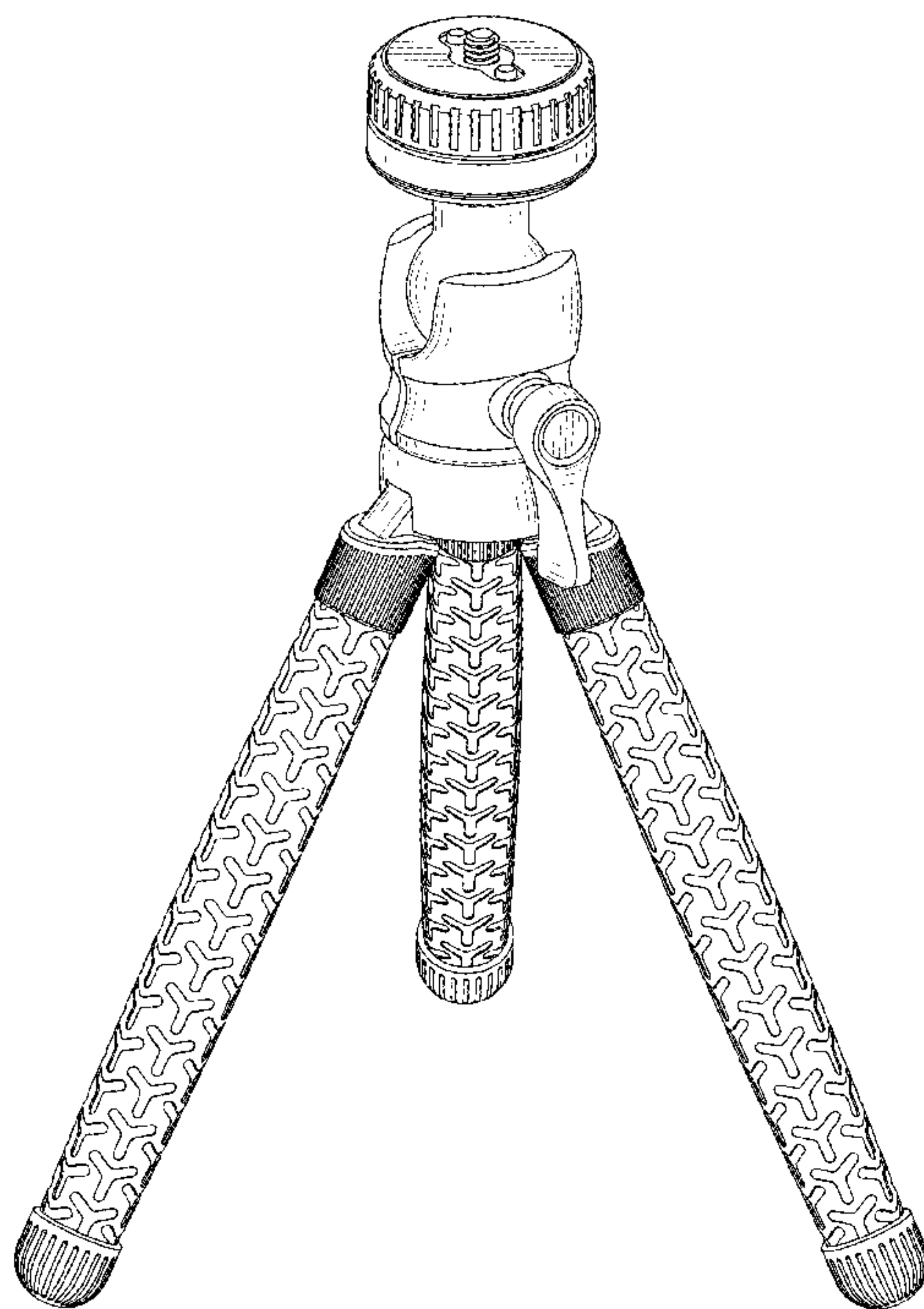
(57) **CLAIM**

The ornamental design for a tripod, as shown and described.

DESCRIPTION

FIG. 1 is a top, front and left side perspective view of a tripod showing my new design;
 FIG. 2 is a bottom and back perspective view thereof;
 FIG. 3 is a front view thereof;
 FIG. 4 is a back view thereof;
 FIG. 5 is a left side view thereof;
 FIG. 6 is a right side view thereof;
 FIG. 7 is a top view thereof;
 FIG. 8 is a bottom view thereof;
 FIG. 9 is a bottom and back perspective view thereof, shown with the tripod in a folded configuration; and,
 FIG. 10 is a bottom and back perspective view thereof, shown with the tripod in condition of use.
 The broken lines shown in the drawings depict portions of the tripod that form no part of the claimed design.

1 Claim, 10 Drawing Sheets



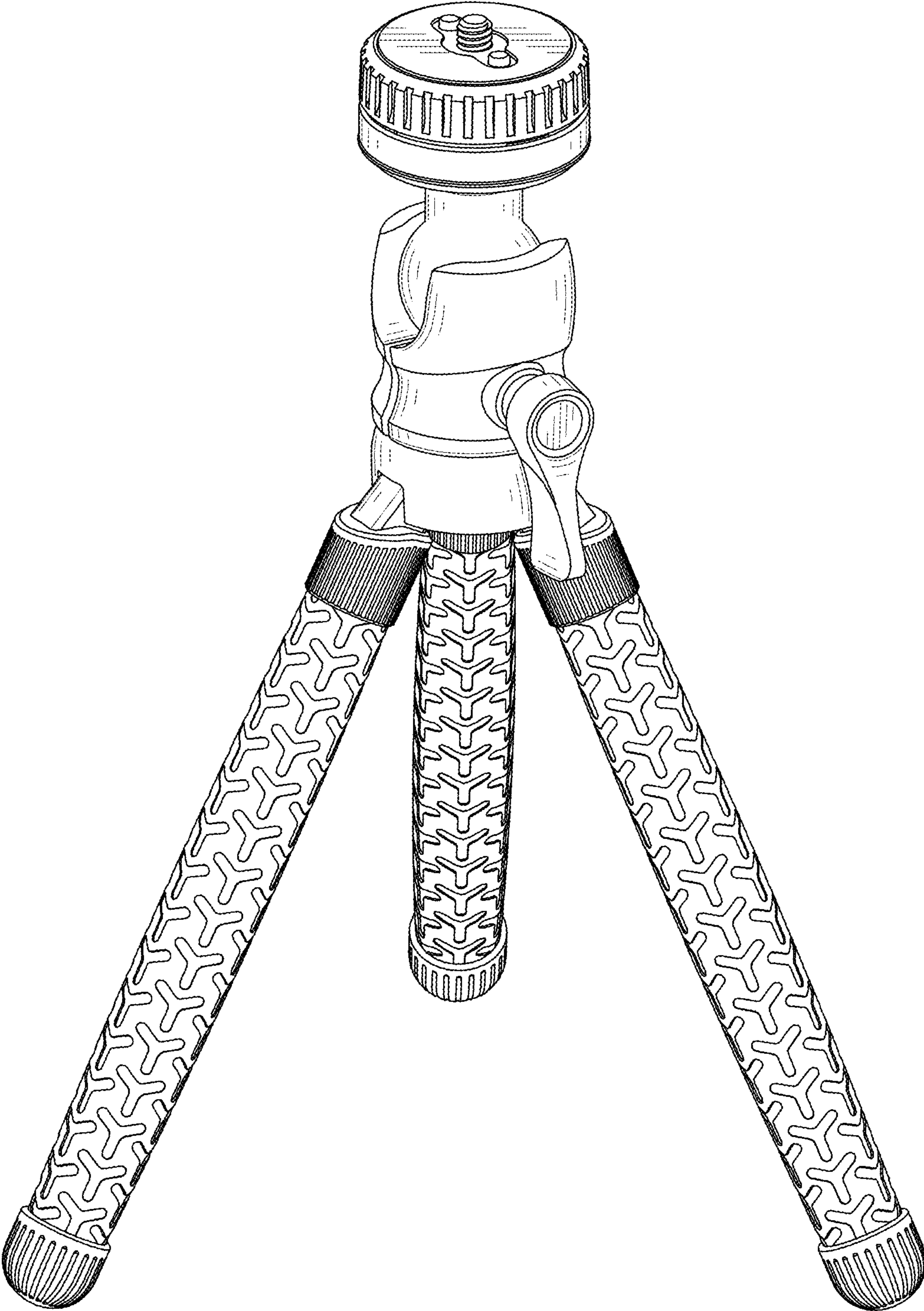


FIG. 1

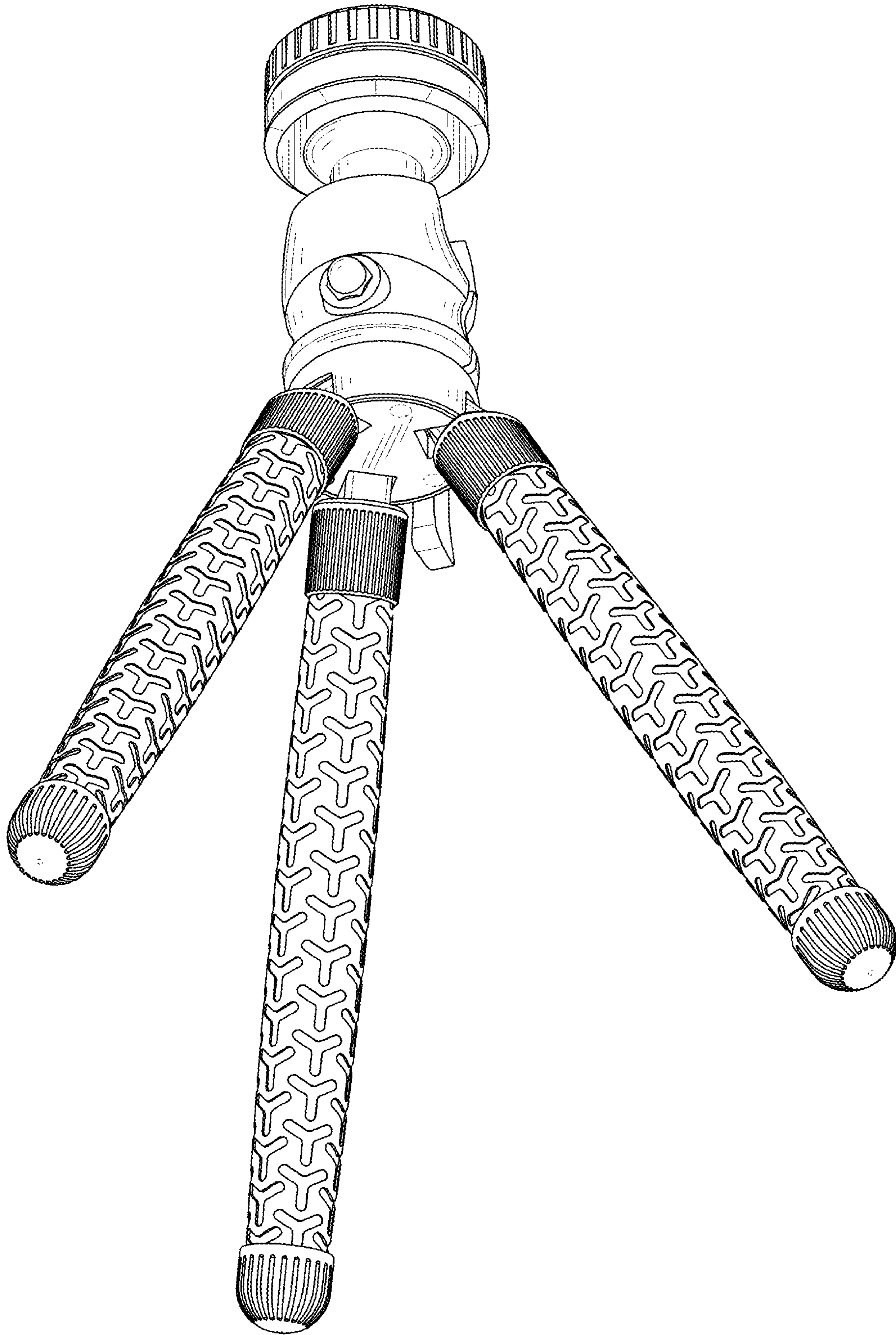


FIG. 2

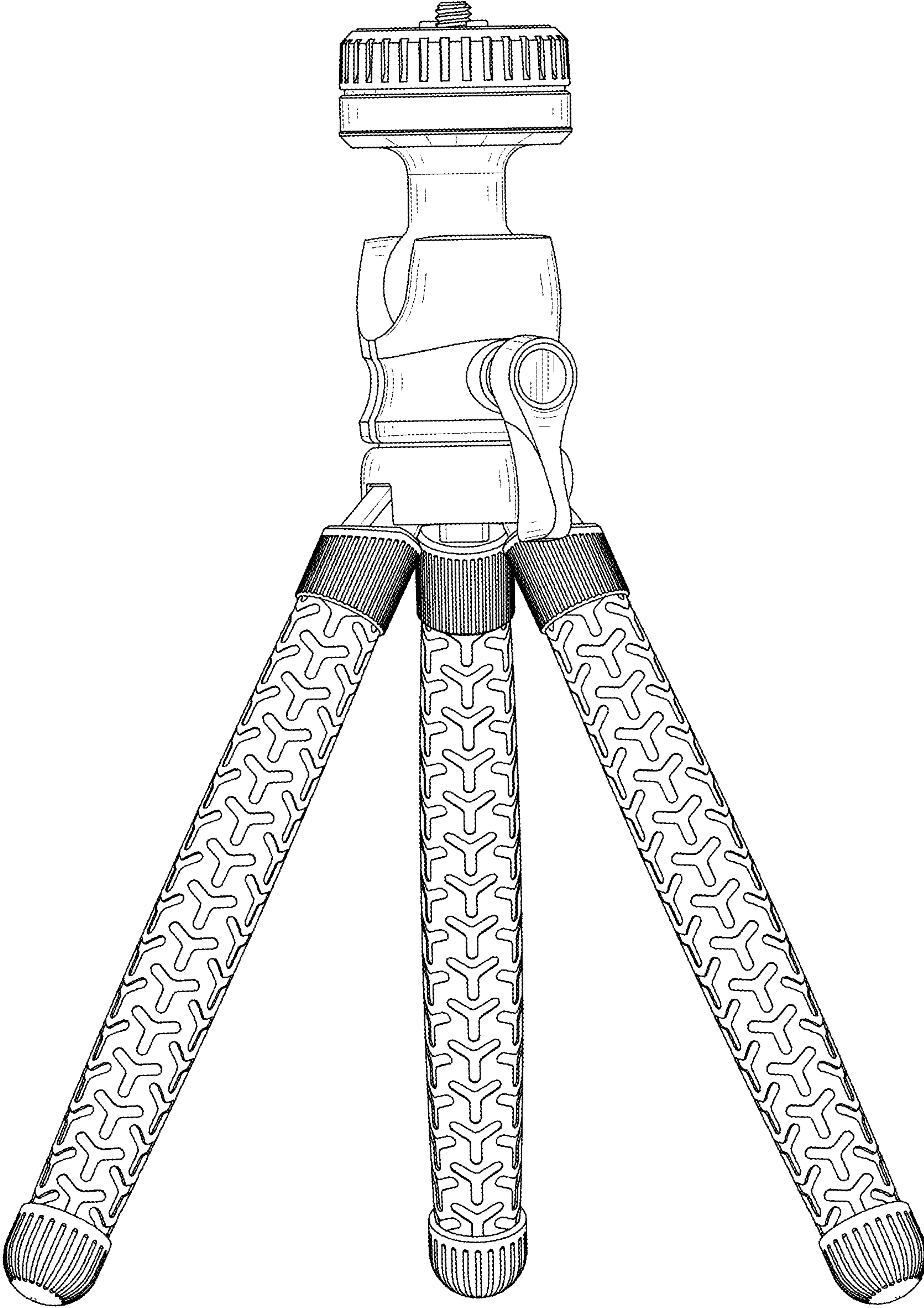


FIG. 3

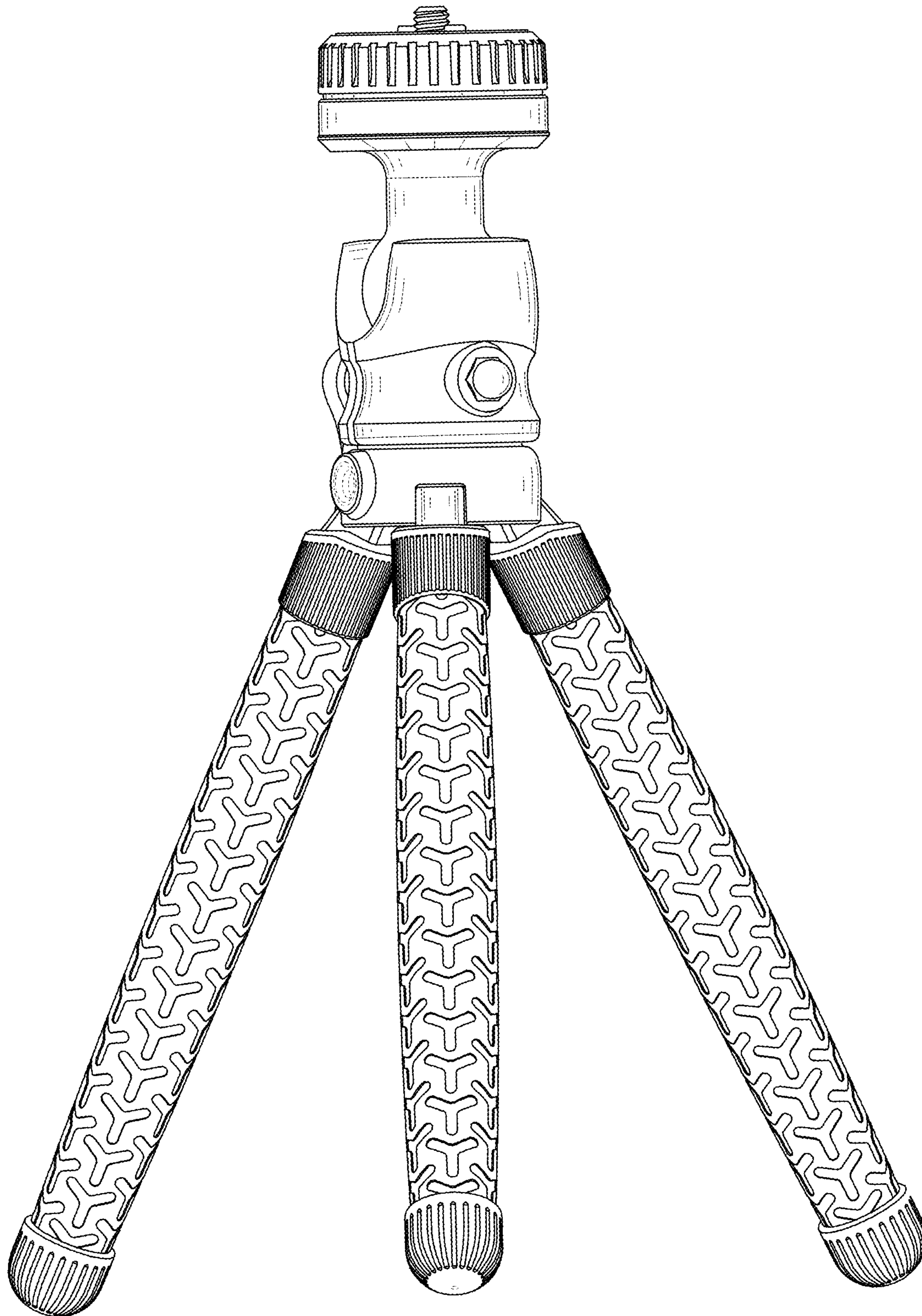


FIG. 4

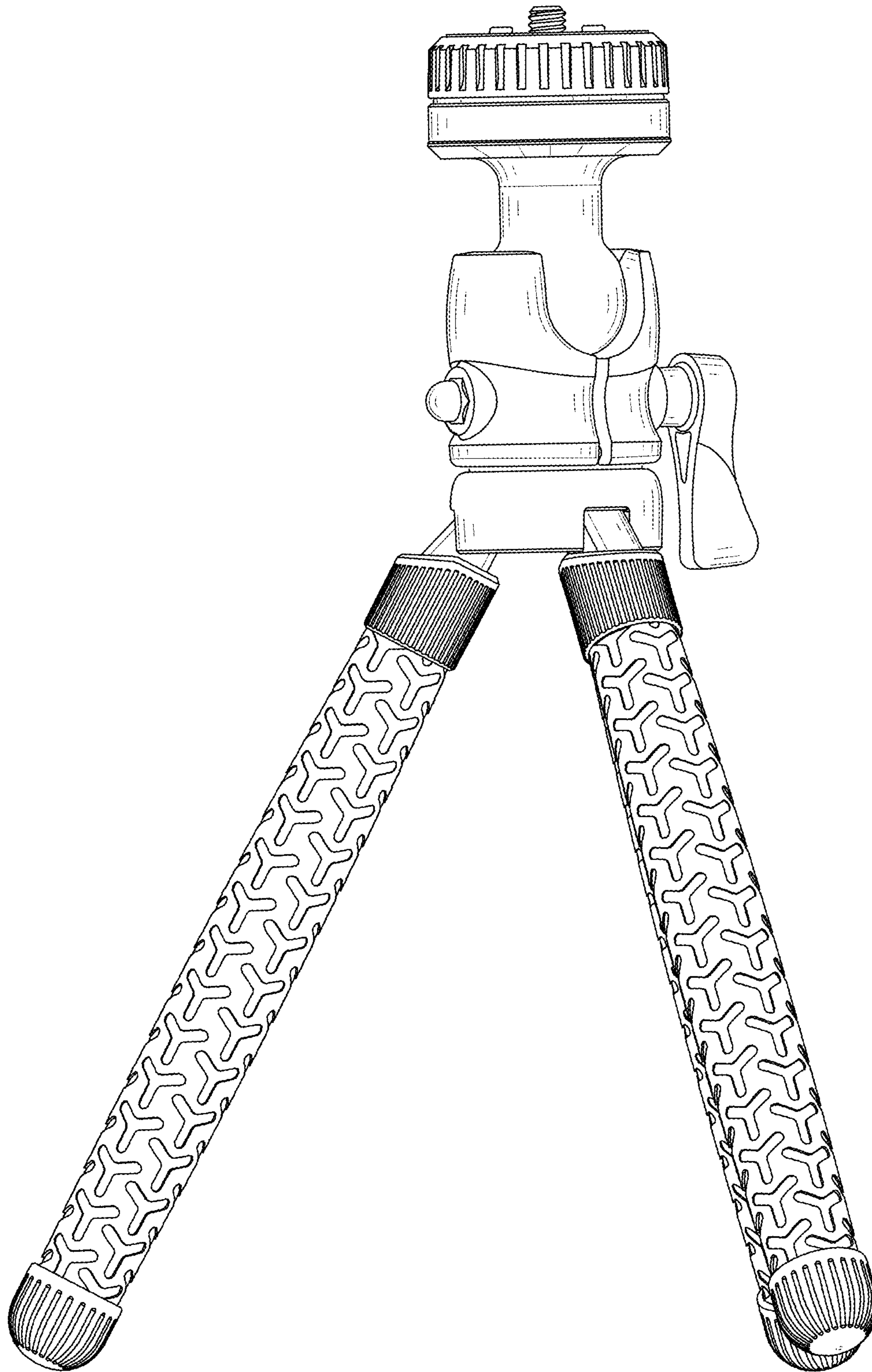


FIG. 5

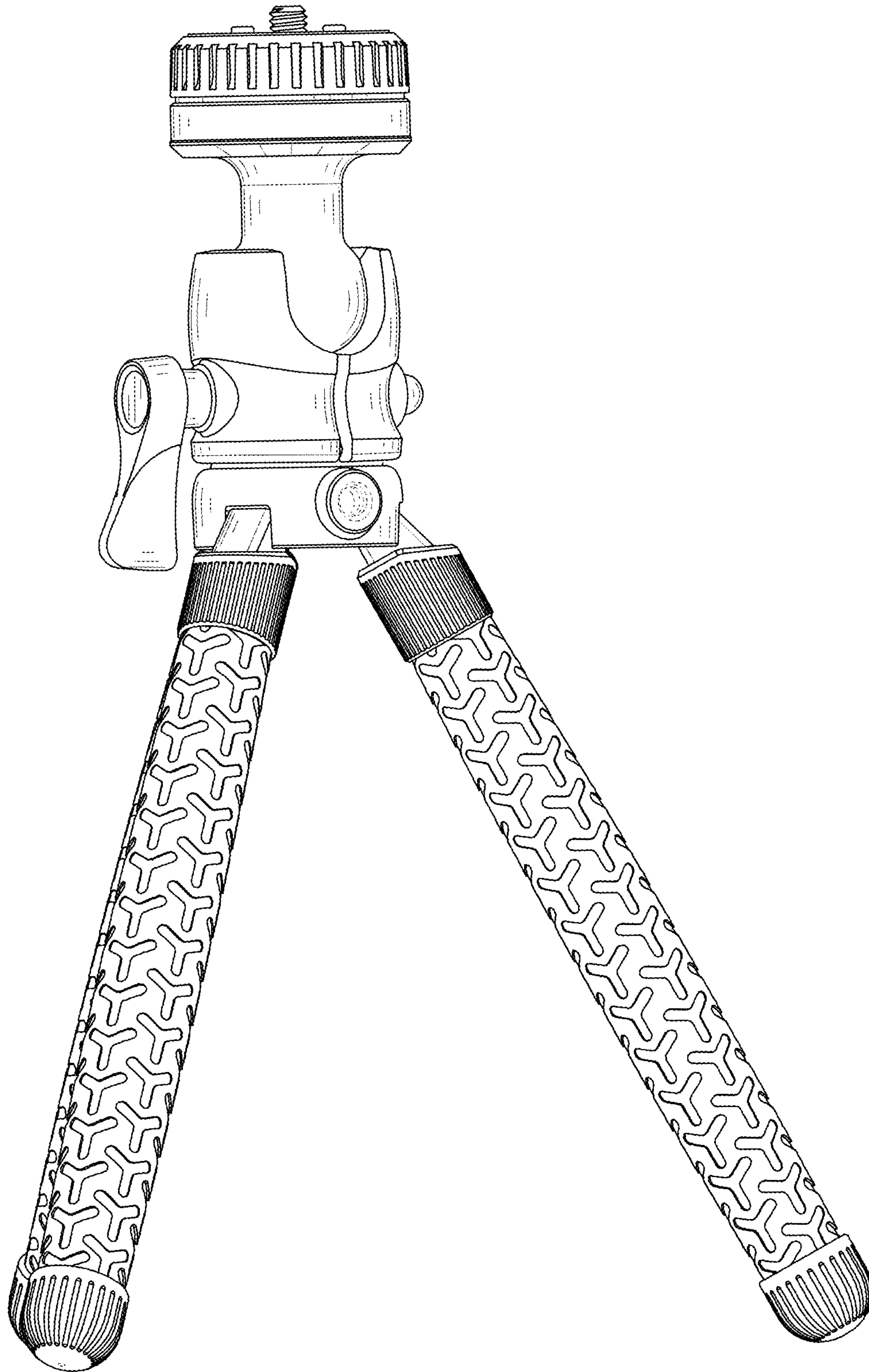


FIG. 6

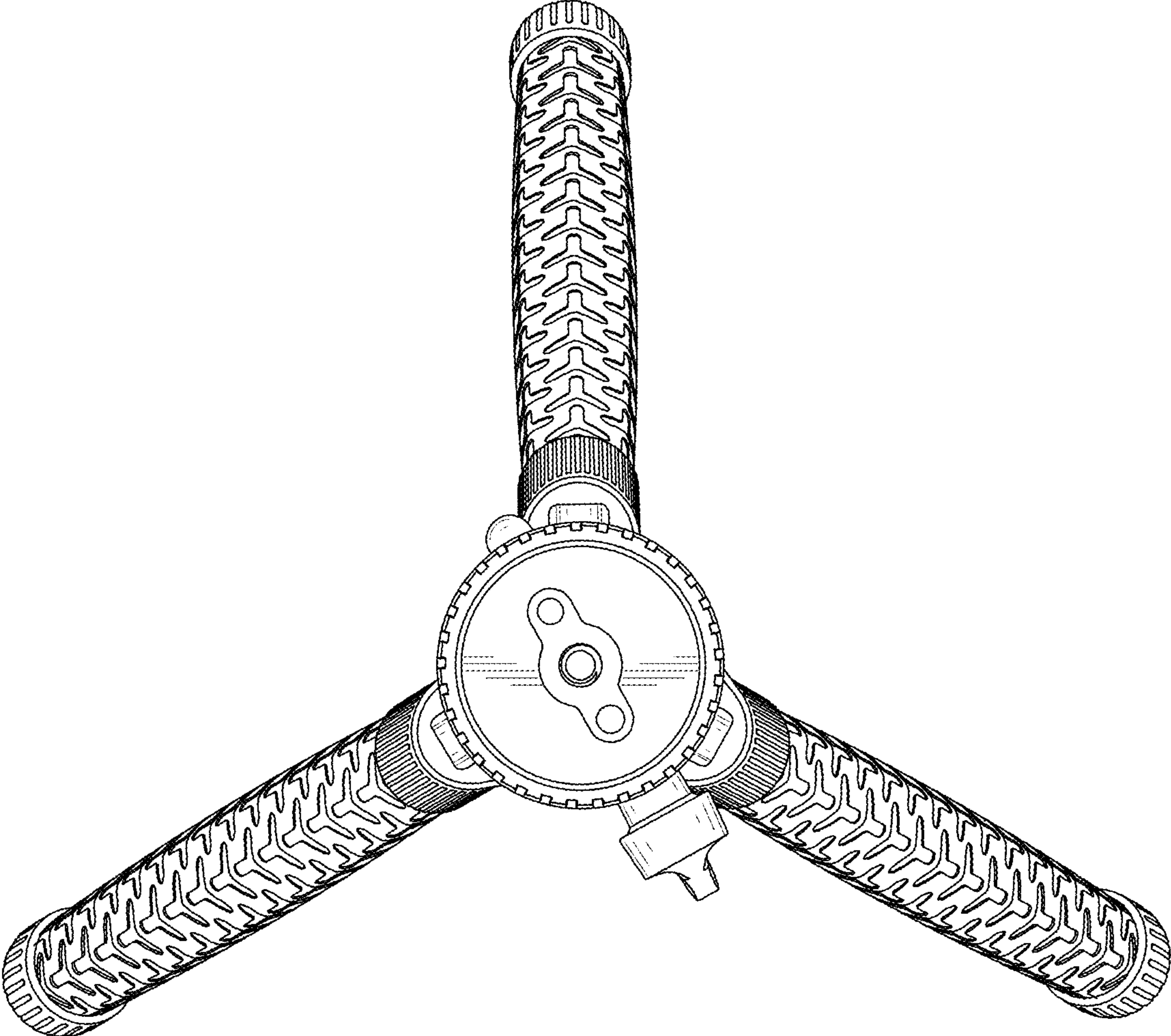


FIG. 7

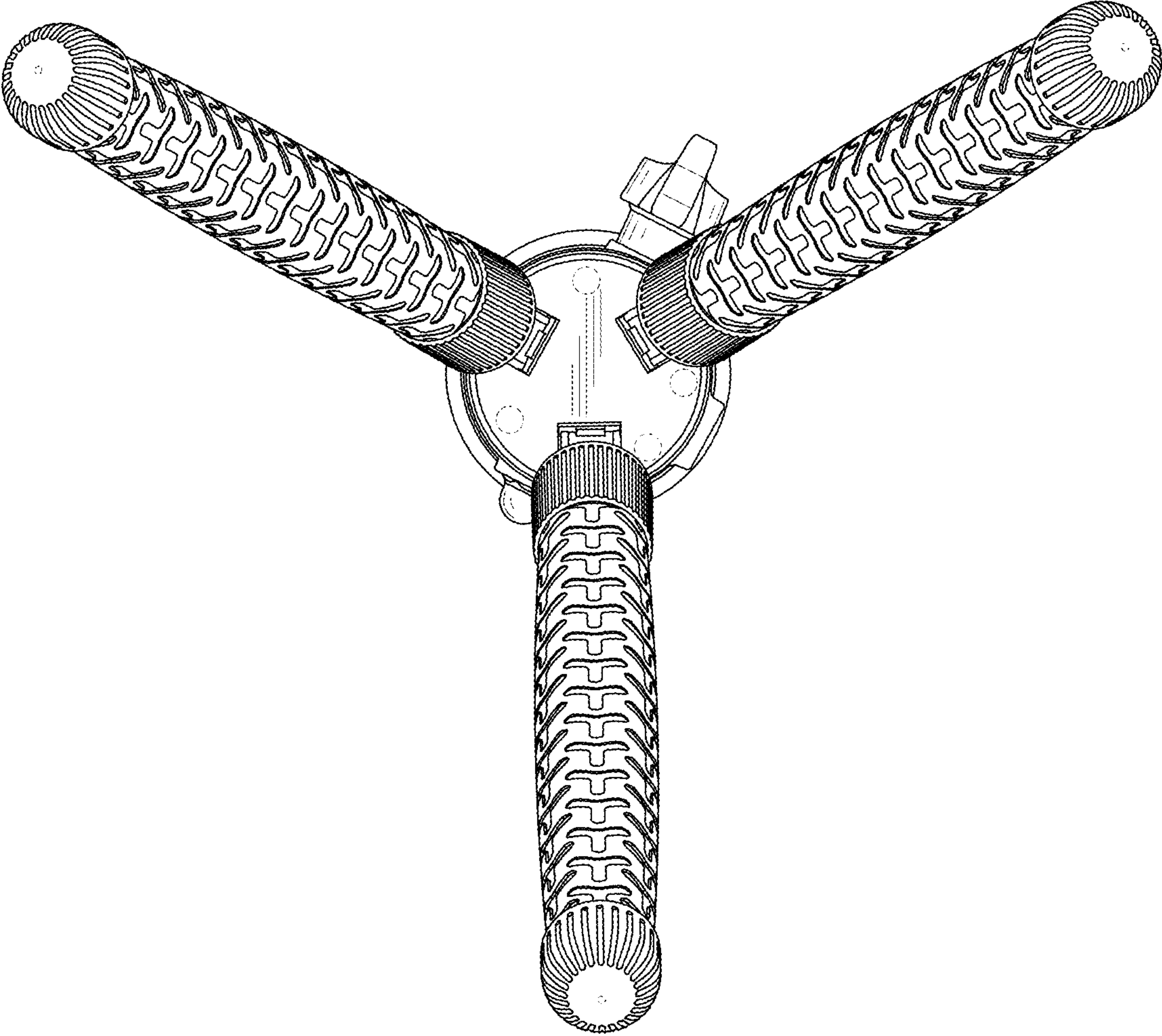


FIG. 8

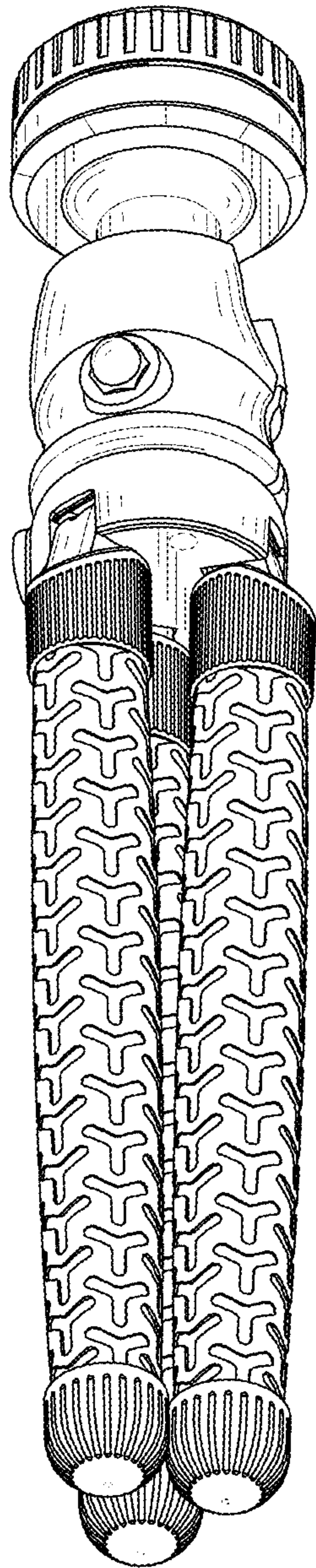


FIG. 9

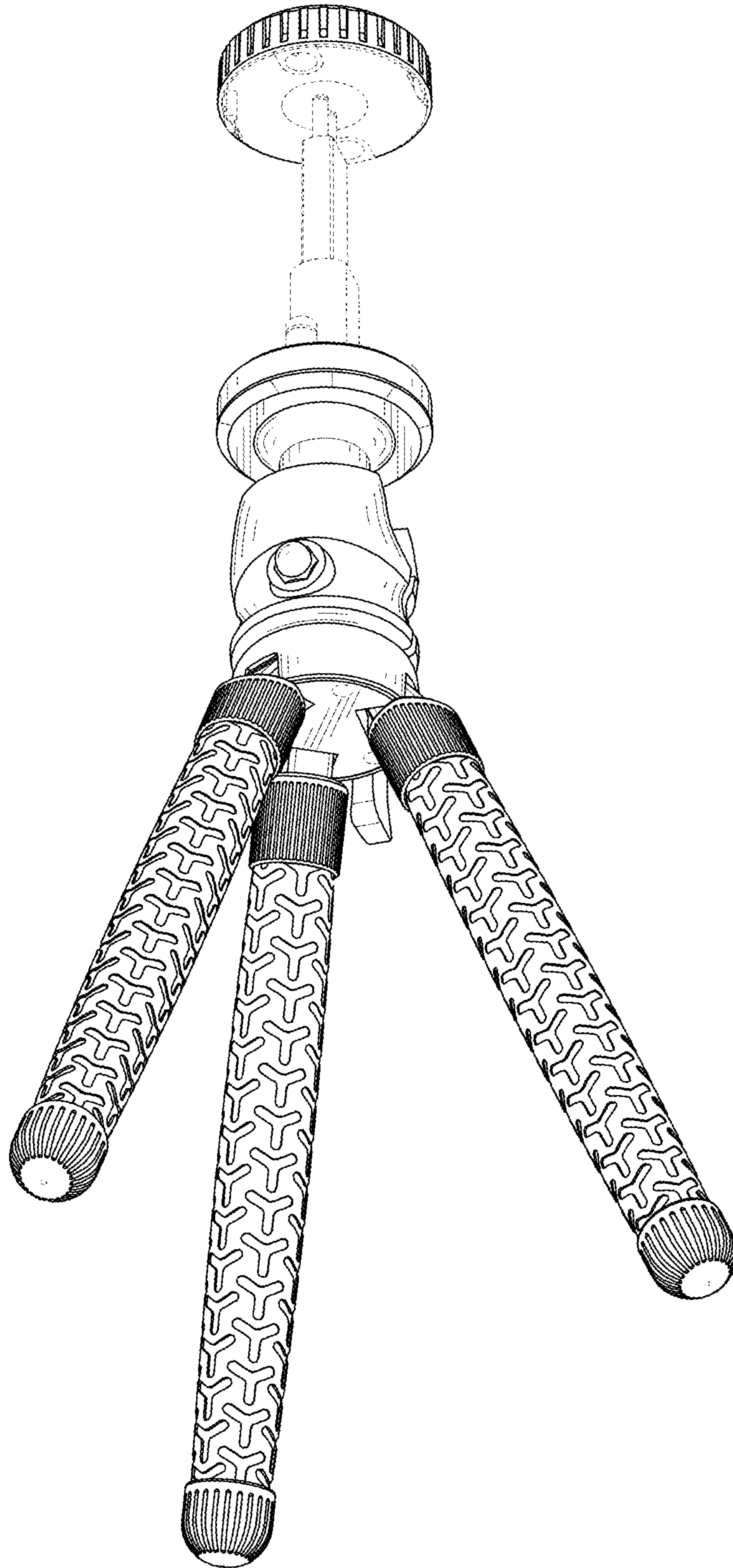


FIG. 10