



US00D978228S

(12) **United States Design Patent**
Qiu

(10) **Patent No.:** **US D978,228 S**

(45) **Date of Patent:** **** Feb. 14, 2023**

(54) **SELFIE STICK TRIPOD**

(71) Applicant: **Zhiyong Qiu**, Guangzhou (CN)

(72) Inventor: **Zhiyong Qiu**, Guangzhou (CN)

(**) Term: **15 Years**

(21) Appl. No.: **29/838,337**

(22) Filed: **May 12, 2022**

(51) **LOC (14) Cl.** **16-05**

(52) **U.S. Cl.**
USPC **D16/243**; D16/245

(58) **Field of Classification Search**
USPC D16/208–209, 219, 237, 242–250;
D14/253
CPC G03B 17/02; G03B 17/56; G03B 17/04;
G03B 17/561–566; G03B 15/03; H04N
5/2251; H04N 5/2252; H04N 5/2253;
H04N 5/2254; G02B 7/02; G02B 7/04;
G02B 7/14

See application file for complete search history.

(56) **References Cited**

U.S. PATENT DOCUMENTS

D508,938 S	8/2005	Murray	
D715,791 S *	10/2014	Yu	D14/253
D783,012 S *	4/2017	Lee	D14/253
D799,465 S *	10/2017	Sukphist	D14/253
D852,875 S	7/2019	Chun	
D854,006 S *	7/2019	Wang	D14/253
D860,298 S	9/2019	Balmer	
D882,672 S *	4/2020	Xia	D16/243
D895,716 S	9/2020	Chen	
D896,302 S	9/2020	Chen	
D899,491 S	10/2020	Chen	
D900,200 S *	10/2020	Shan	D16/237
D900,917 S *	11/2020	Chen	D14/253
D907,106 S	1/2021	Li	
D907,687 S	1/2021	Fang	
D911,425 S *	2/2021	Shan	D16/237

D911,427 S *	2/2021	Silva Casas	D16/244
D921,096 S *	6/2021	Chen	D16/244
D923,689 S *	6/2021	Xia	D16/243
D943,020 S	2/2022	Lin	
D946,563 S *	3/2022	Law	D16/244
D950,634 S	5/2022	Fan	
2017/0264329 A1 *	9/2017	Balmer	F16M 11/10

* cited by examiner

Primary Examiner — Ramzi Almatrahi

(74) *Attorney, Agent, or Firm* — Rumit Ranjit Kanakia

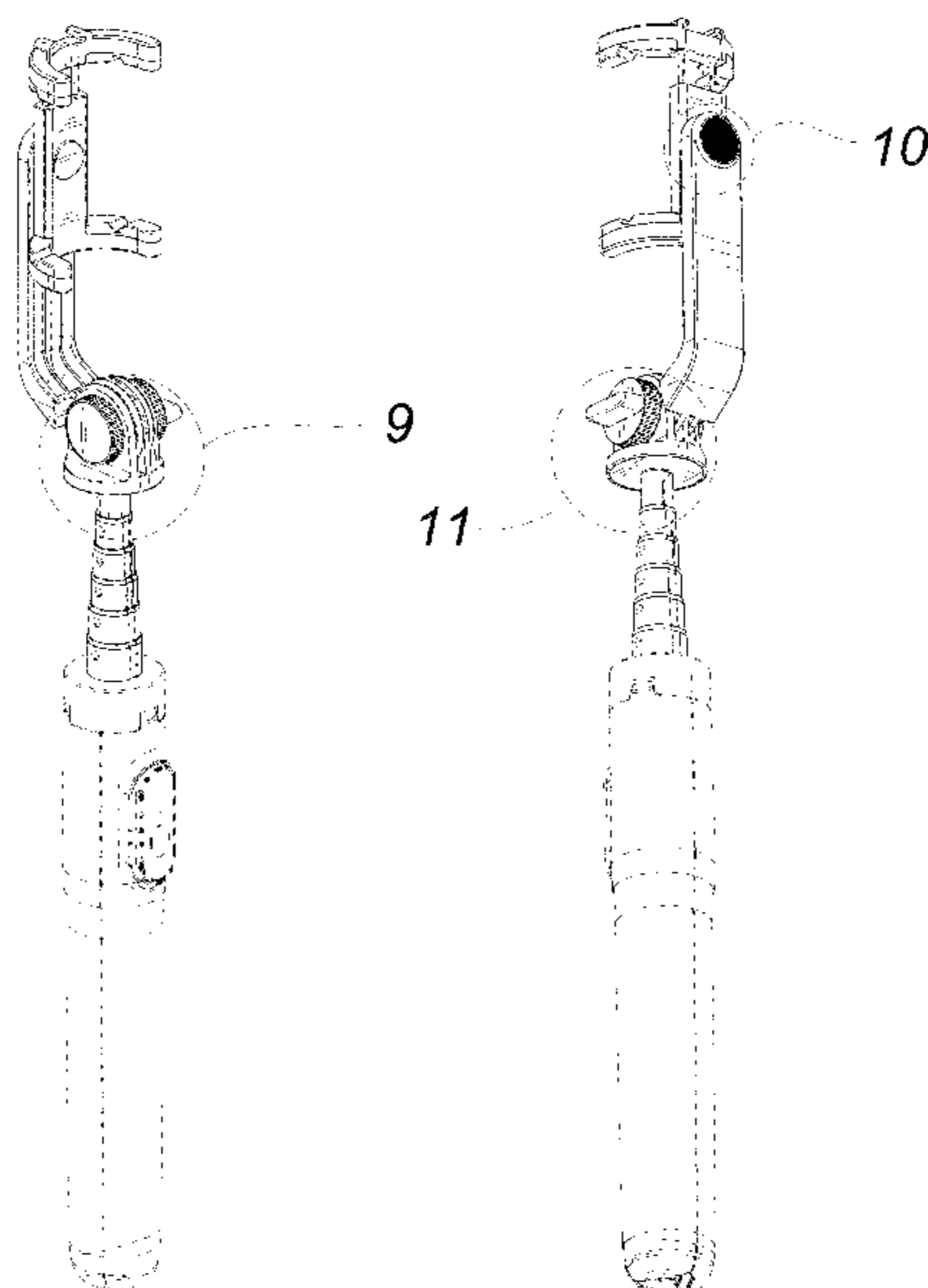
(57) **CLAIM**

The ornamental design for a selfie stick tripod, as shown and described.

DESCRIPTION

FIG. 1 is a top, front and left side perspective view of a selfie stick tripod showing my new design;
 FIG. 2 is a bottom, rear and right side perspective view thereof;
 FIG. 3 is a front elevational view thereof;
 FIG. 4 is a rear elevational view thereof;
 FIG. 5 is a left side elevational view thereof;
 FIG. 6 is a right side elevational view thereof;
 FIG. 7 is a top plan view thereof;
 FIG. 8 is a bottom plan view thereof;
 FIG. 9 is an enlarged view of portion 9 shown in FIG. 1;
 FIG. 10 is an enlarged view of portion 10 shown in FIG. 2;
 FIG. 11 is an enlarged view of portion 11 shown in FIG. 2;
 and,
 FIG. 12 is a top, front and left side perspective view thereof, shown with the selfie stick tripod in an opened configuration. The broken lines in the figures are for the purpose of illustrating portions of the selfie stick tripod, which form no part of the claimed design. The broken lines encircling an enlargement portions of the design forms no part of the claimed design.

1 Claim, 9 Drawing Sheets



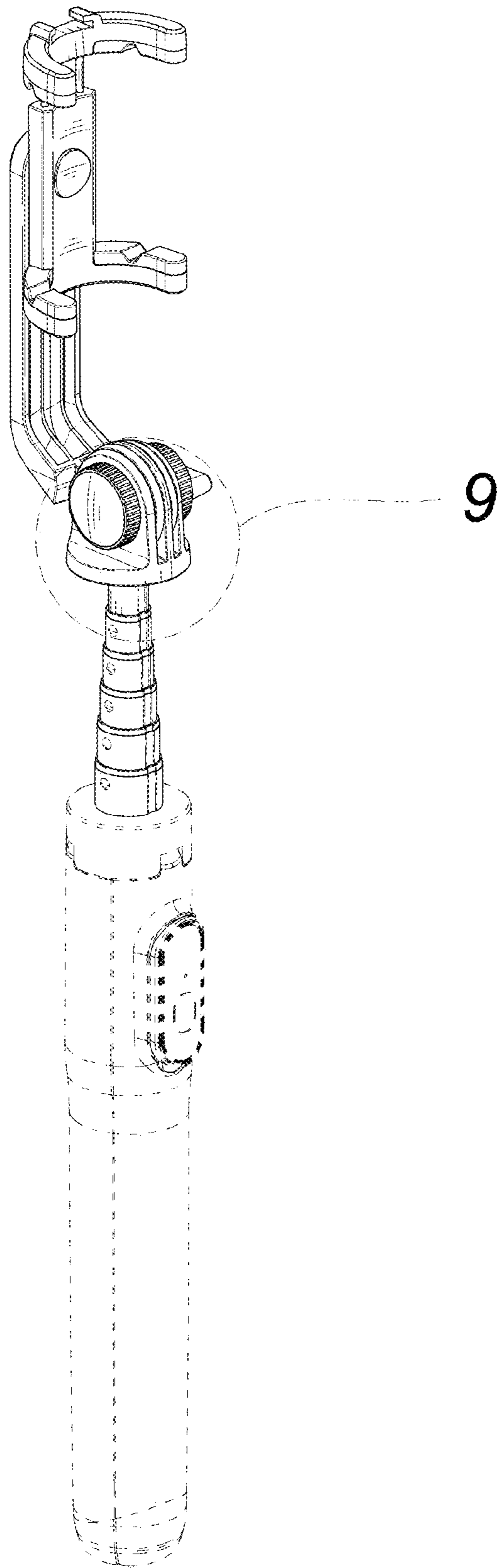


FIG. 1

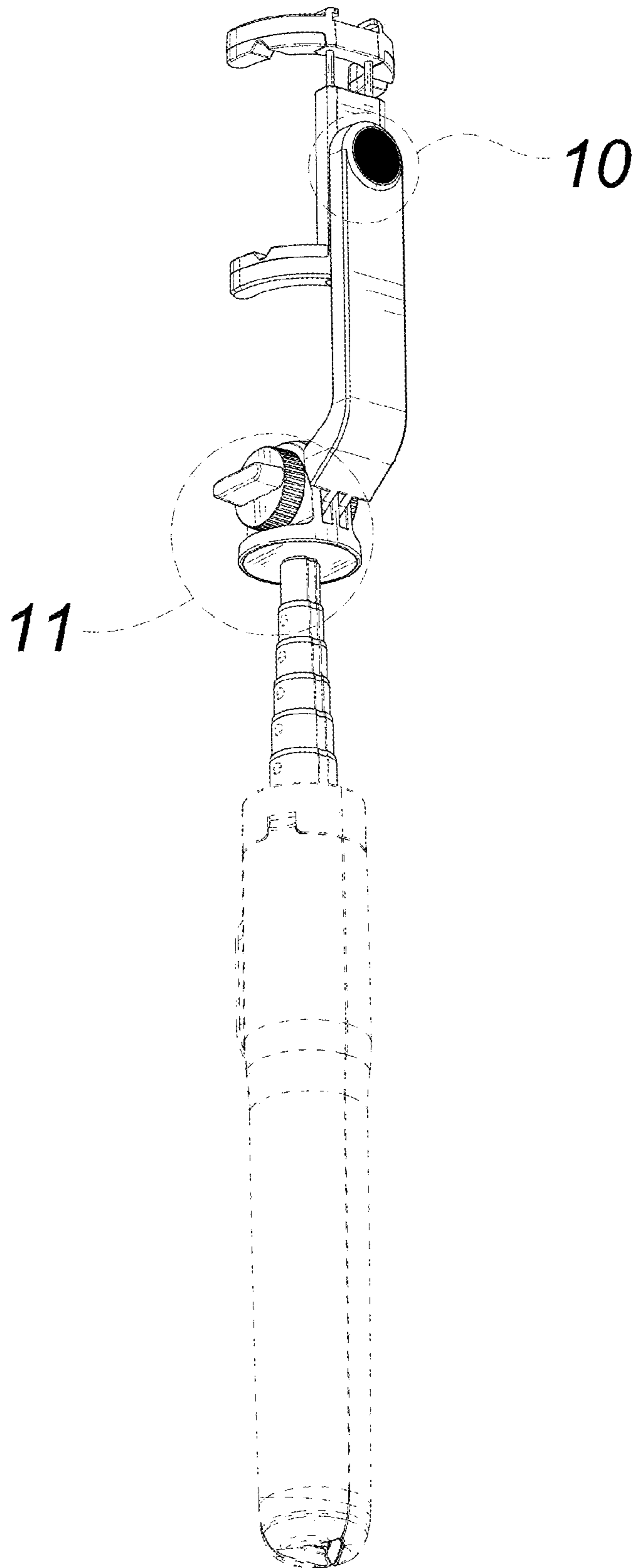


FIG. 2

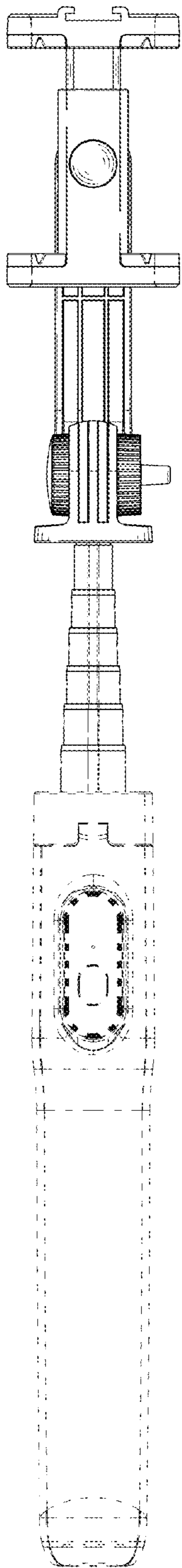


FIG. 3

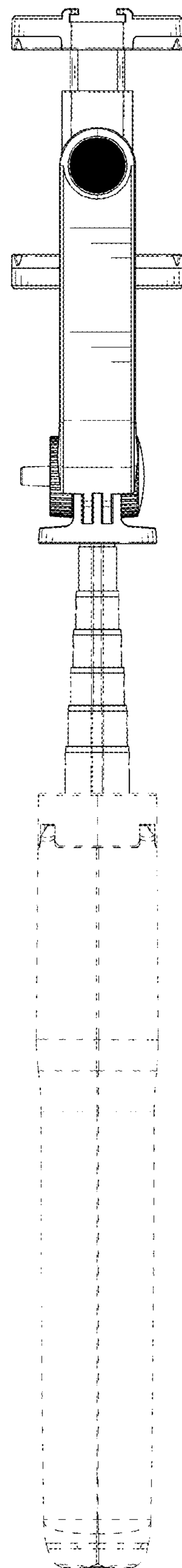


FIG. 4

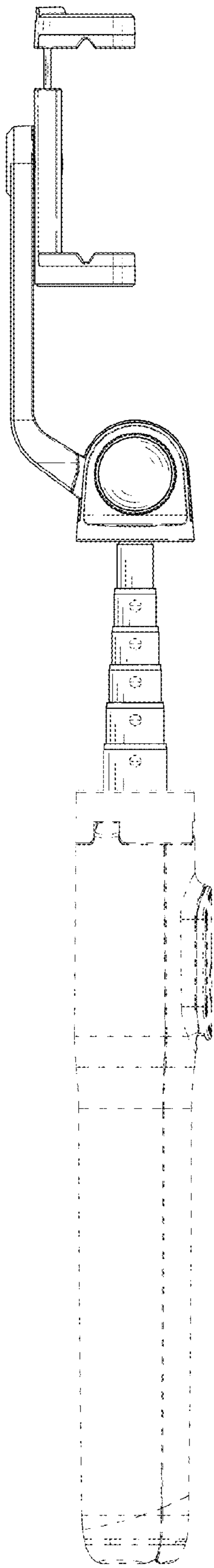


FIG. 5

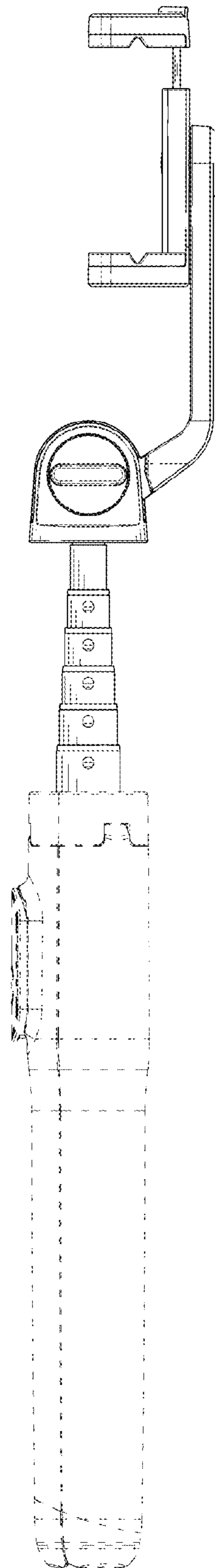


FIG. 6

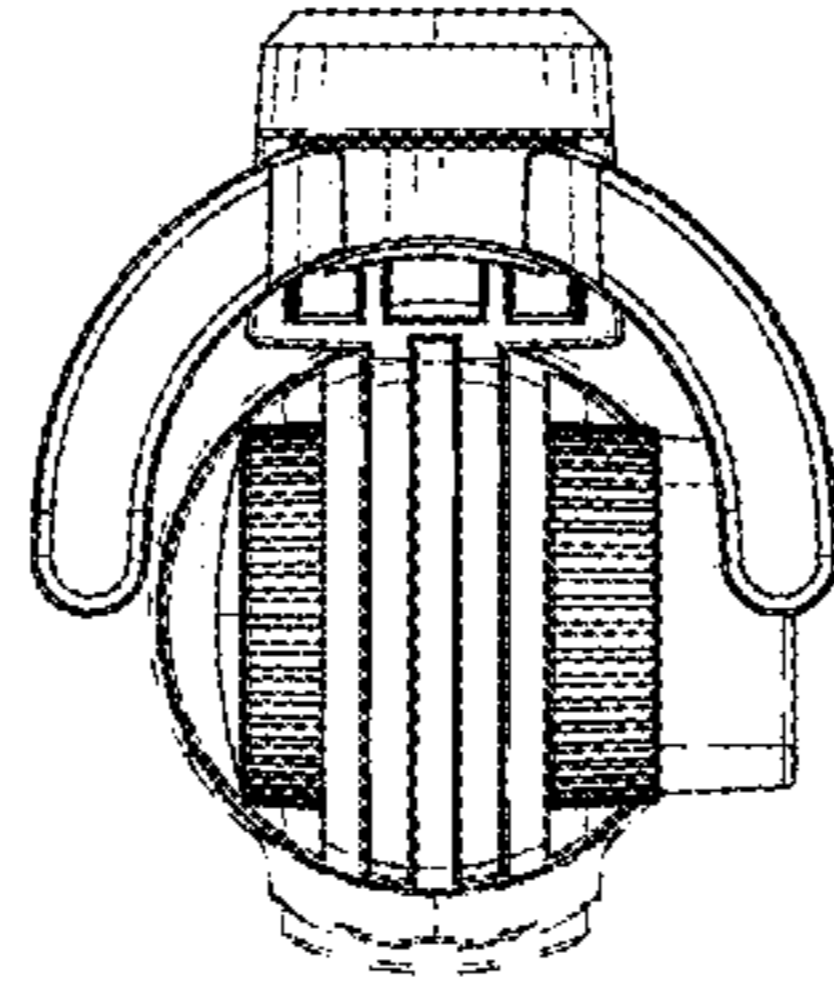


FIG. 7

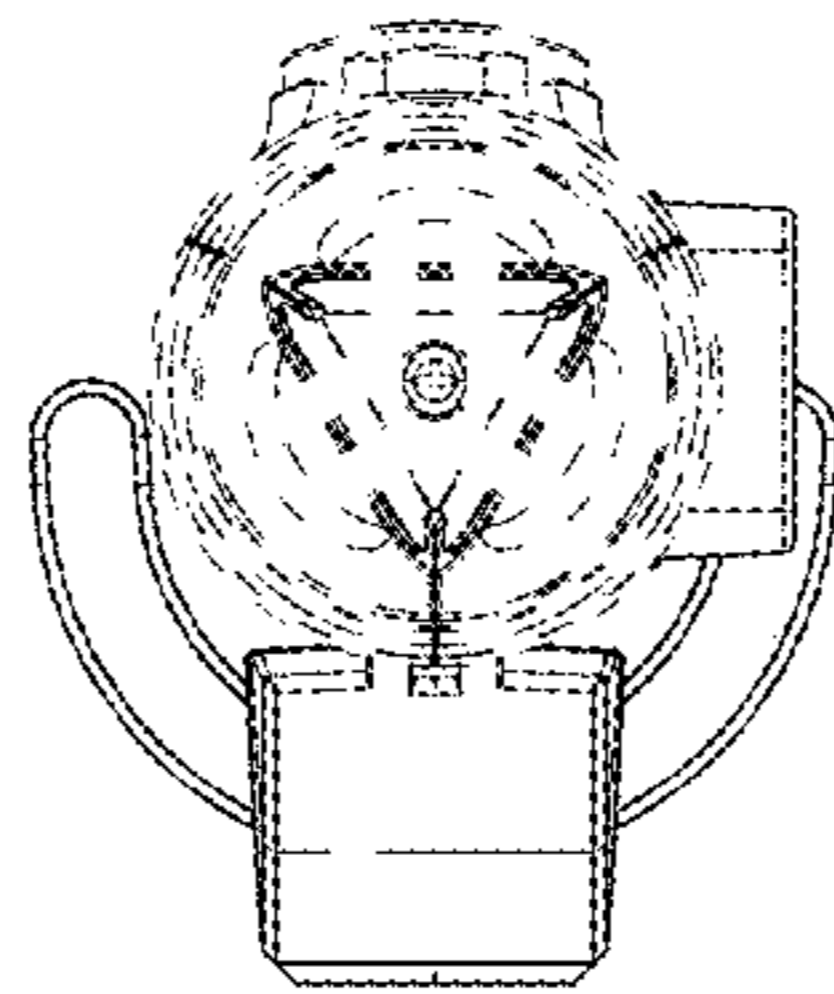


FIG. 8

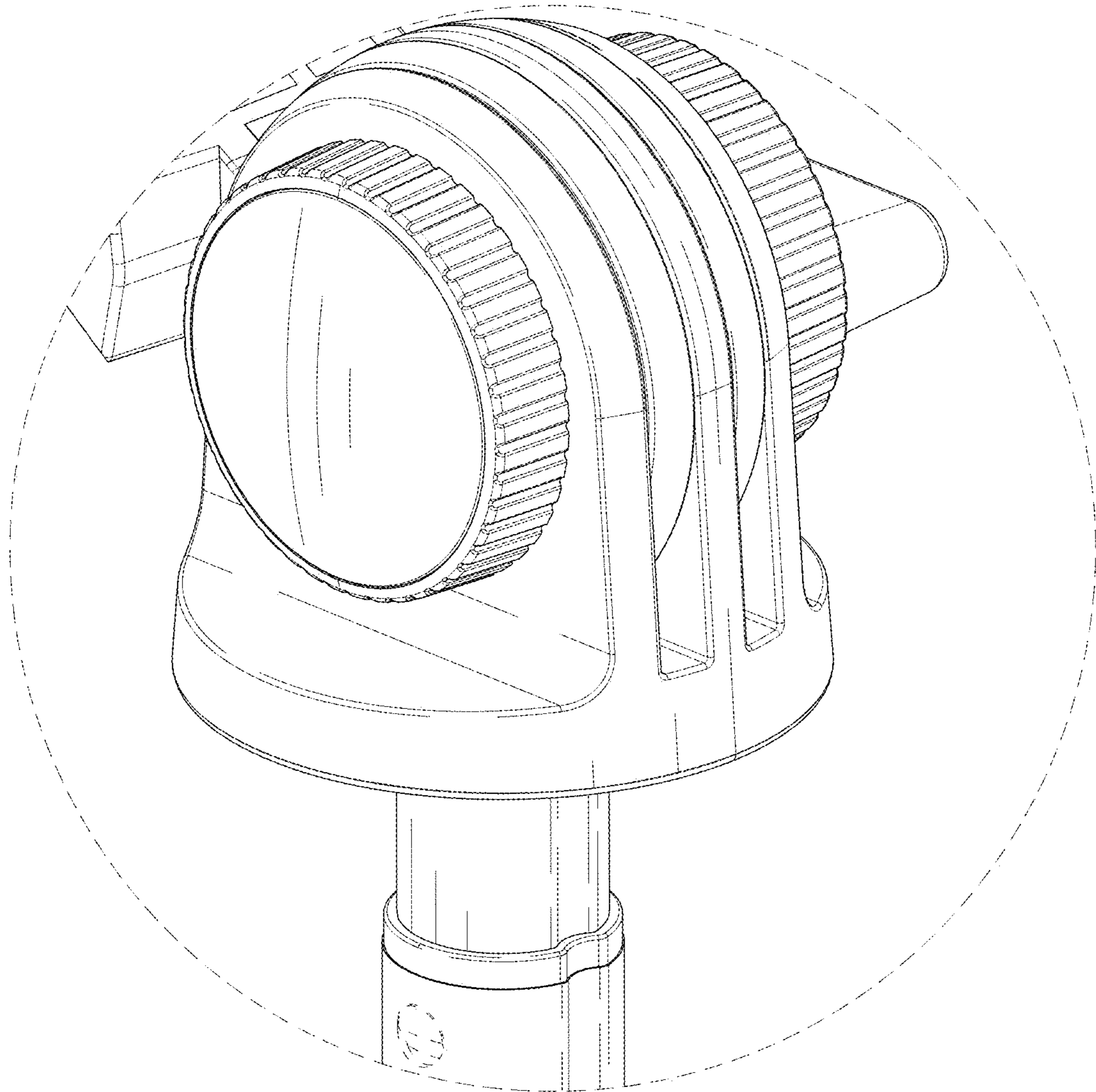


FIG. 9

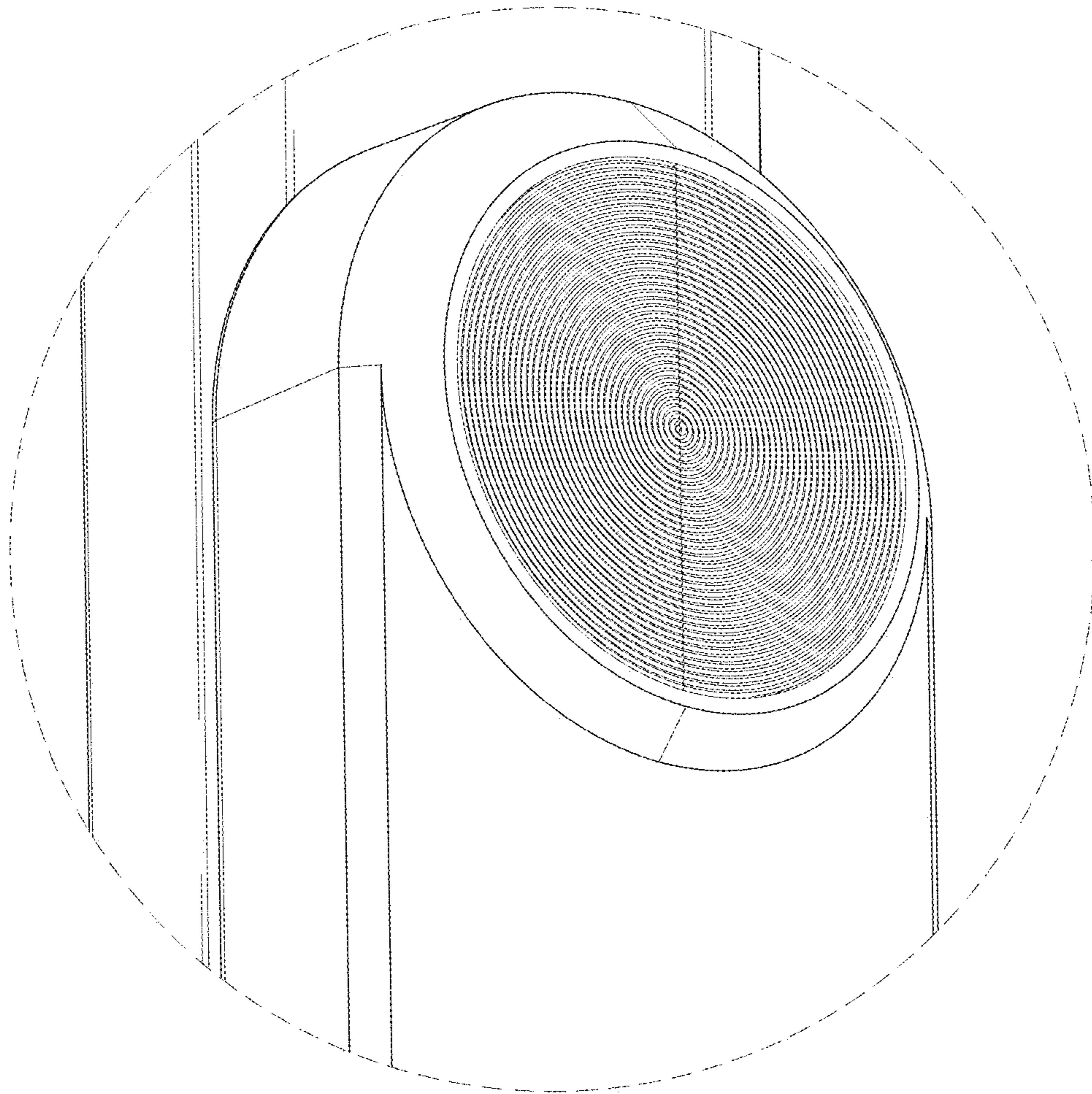


FIG. 10

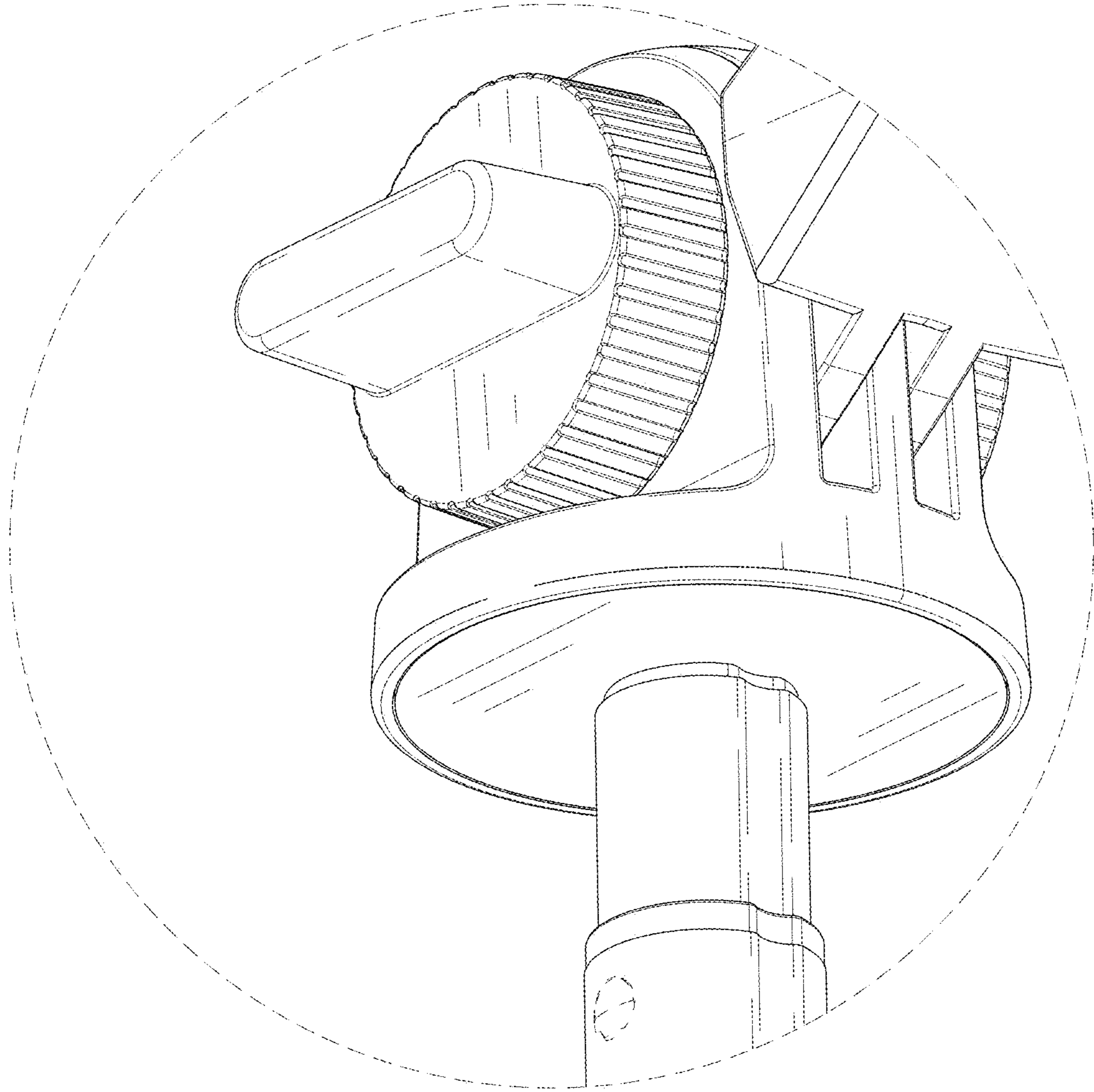


FIG. 11

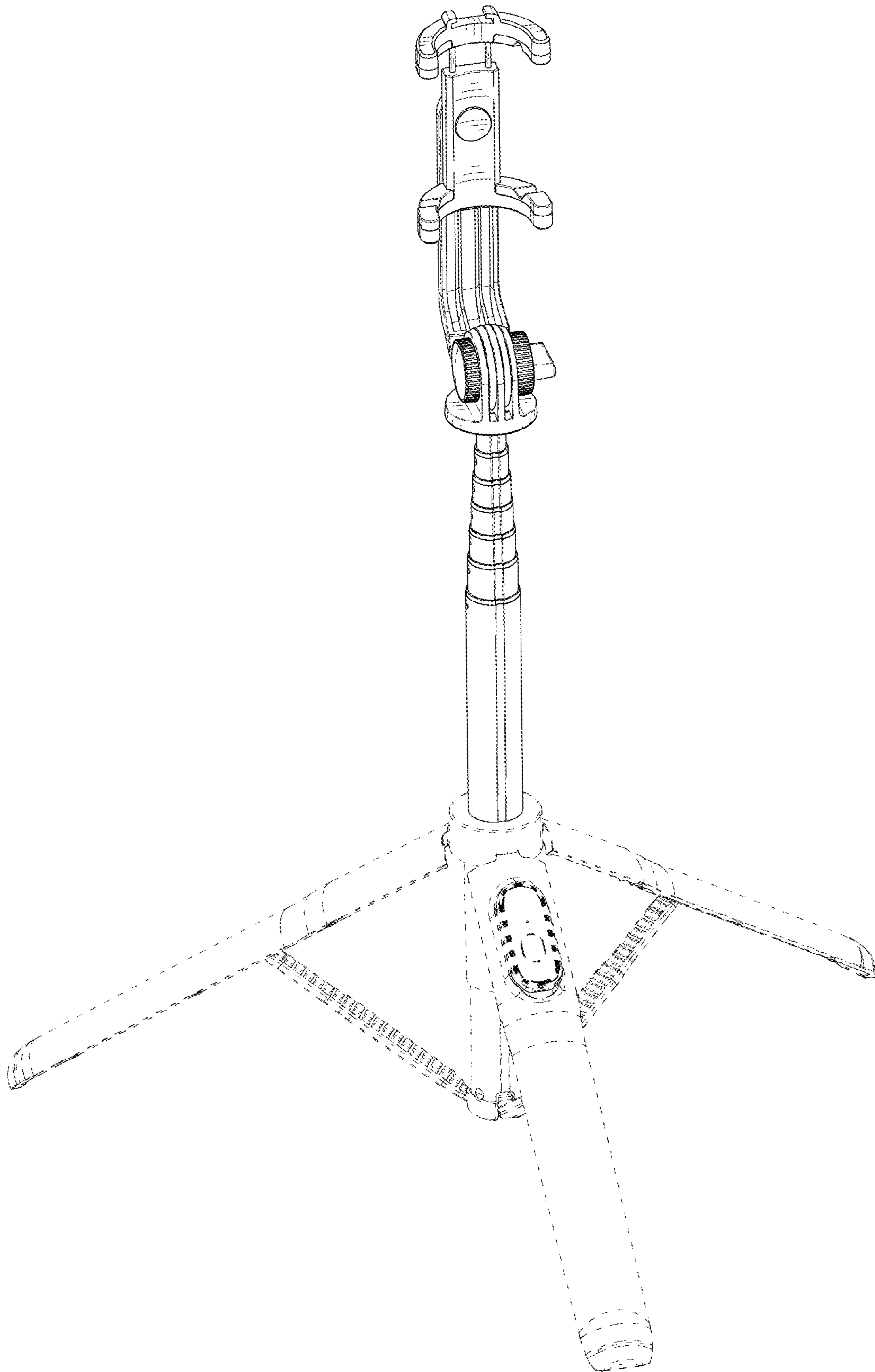


FIG. 12