



US00D978225S

(12) **United States Design Patent** (10) **Patent No.:** **US D978,225 S**
Kaneko et al. (45) **Date of Patent:** **** Feb. 14, 2023**

(54) **LENS COVER FOR CAMERA**
(71) Applicant: **KOWA COMPANY, LTD.**, Aichi (JP)
(72) Inventors: **Kentaro Kaneko**, Soka (JP); **Issei Megumi**, Tokyo (JP)
(**) Term: **15 Years**
(21) Appl. No.: **35/513,083**

D949,226 S * 4/2022 Liao D16/202
D953,406 S * 5/2022 Druker D16/200
D954,777 S * 6/2022 Zhao D16/202
D955,464 S * 6/2022 Yalazoglu D16/218
D959,533 S * 8/2022 Nishimura D16/202
D963,729 S * 9/2022 Uetsuji D16/219
D967,227 S * 10/2022 Sun D16/202
D967,233 S * 10/2022 O'Connor D16/219
2018/0059355 A1 * 3/2018 Schorman G03B 11/00
2018/0084160 A1 * 3/2018 Miyashita G03B 17/56

(22) Filed: **Jun. 10, 2021**
(80) **Hague Agreement Data**
Int. Filing Date: **Jun. 10, 2021**
Int. Reg. No.: **DM/214807**
Int. Reg. Date: **Jun. 10, 2021**
Int. Reg. Pub. Date: **Dec. 10, 2021**

(51) **LOC (14) Cl.** **16-05**
(52) **U.S. Cl.**
USPC **D16/237**
(58) **Field of Classification Search**
USPC D16/133, 200, 202–206, 218, 219, 237,
D16/241, 242, 245
CPC G03B 17/00; G03B 17/04; G03B 17/56;
G03B 11/00; G03B 11/04; G03B 11/041;
G03B 11/043
See application file for complete search history.

(56) **References Cited**
U.S. PATENT DOCUMENTS
D685,836 S * 7/2013 French D16/237
D742,953 S * 11/2015 Li D16/202
9,816,780 B1 * 11/2017 Stefanick F41G 1/383
D861,766 S * 10/2019 Lim D16/237
D893,576 S * 8/2020 Kyte D16/202
D917,603 S * 4/2021 O'Connor D16/218
D940,780 S * 1/2022 Yalazoglu D16/202

OTHER PUBLICATIONS

The design of IN-Sight2000 was published on the website: <https://www.cognex.com/company/press-releases/2015>, Nov. 23, 2015.
The design of IN-Sight7000 was published on the website: <https://www.cognex.com/company/press-releases/2017>, Apr. 18, 2017.

* cited by examiner

Primary Examiner — Richard Kearney
Assistant Examiner — Benjamin M Weeks

(57) **CLAIM**

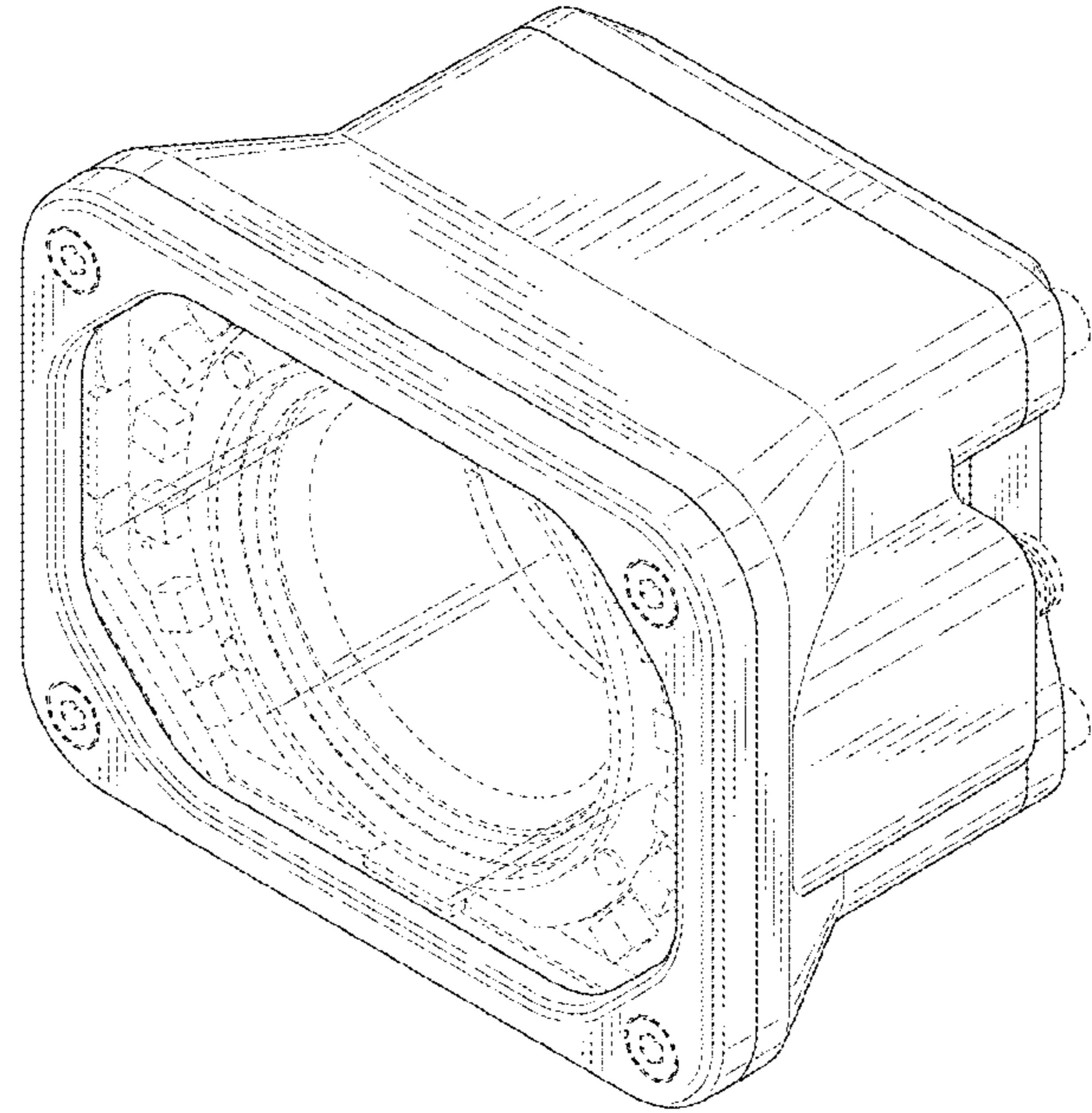
The ornamental design for a lens cover for camera, as shown and described.

DESCRIPTION

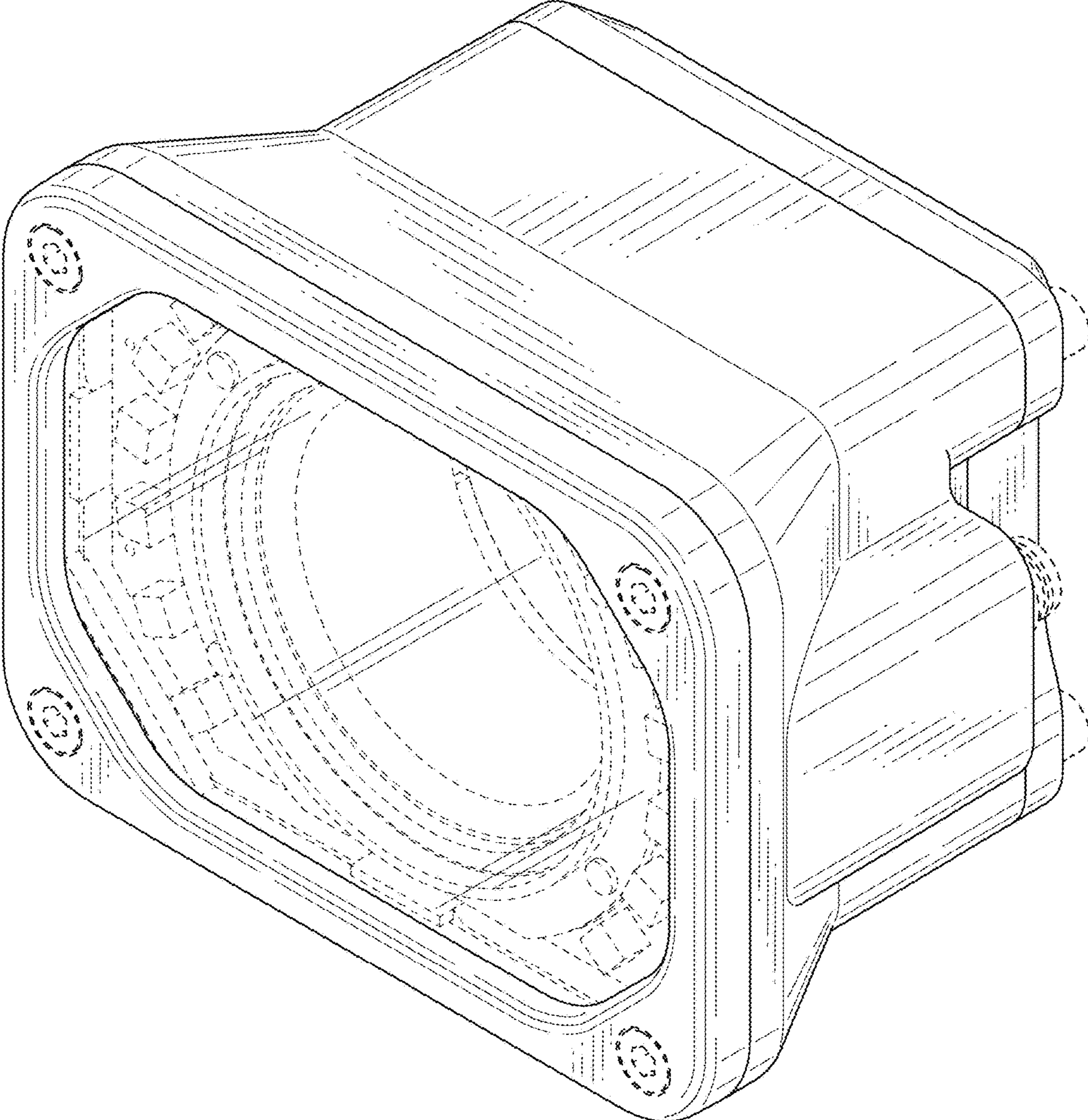
- 1. Lens cover for camera
- 1.1 : Front perspective view
- 1.2 : Rear perspective view
- 1.3 : Front
- 1.4 : Back
- 1.5 : Left
- 1.6 : Right
- 1.7 : Top
- 1.8 : Bottom

The broken lines shown in the drawings are for illustrative purposes only and form no part of the claimed design.

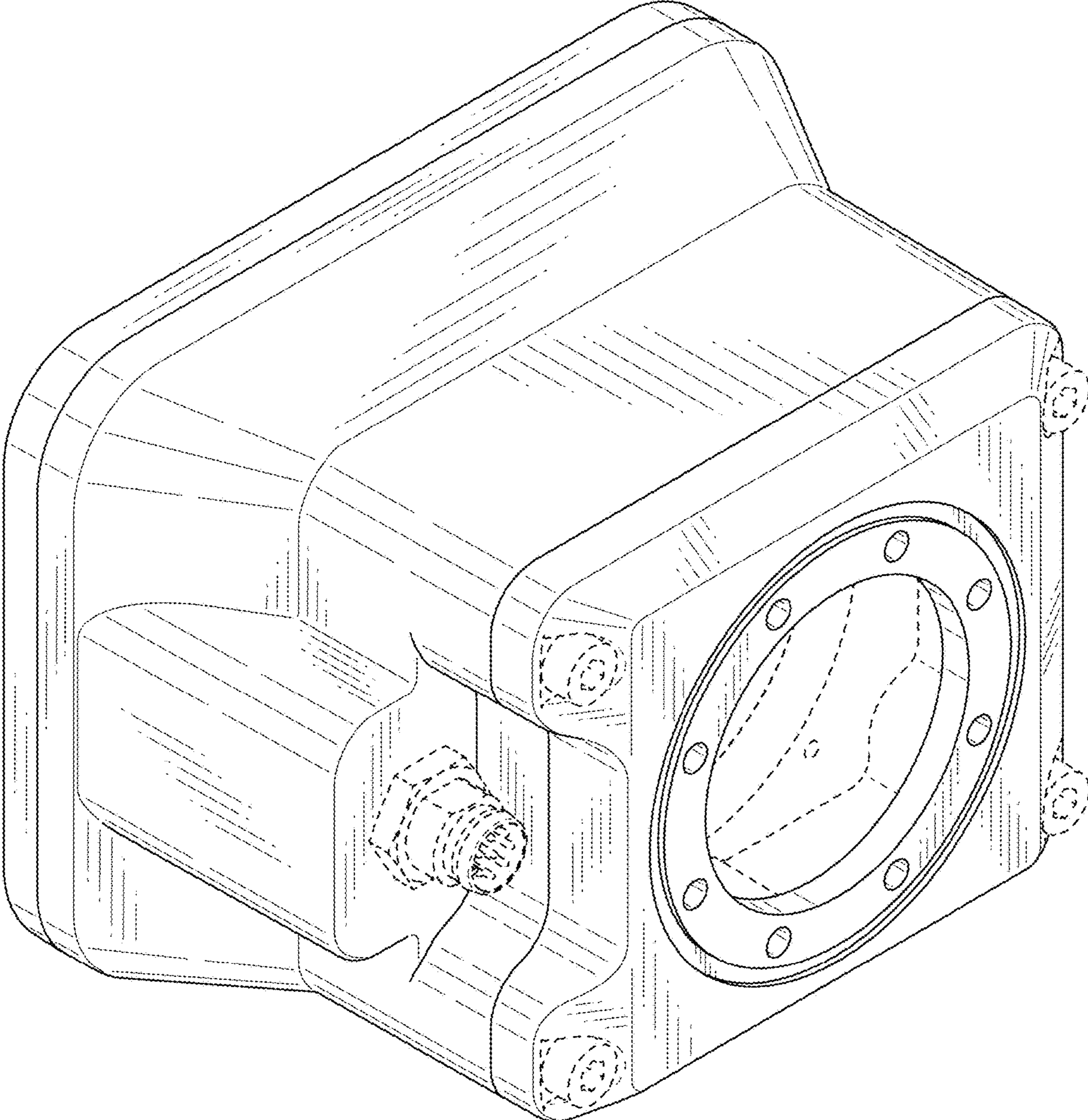
1 Claim, 8 Drawing Sheets



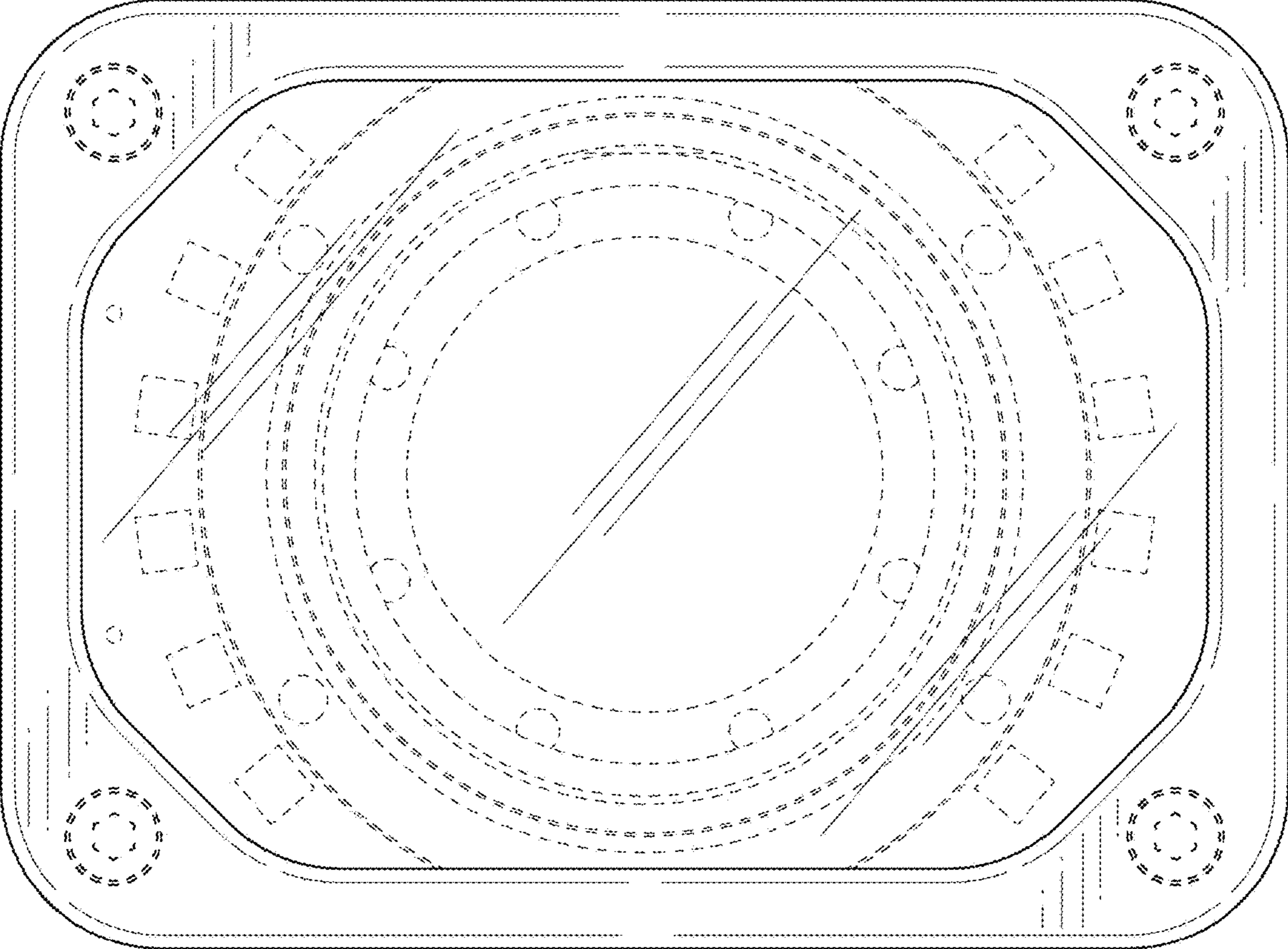
1.1



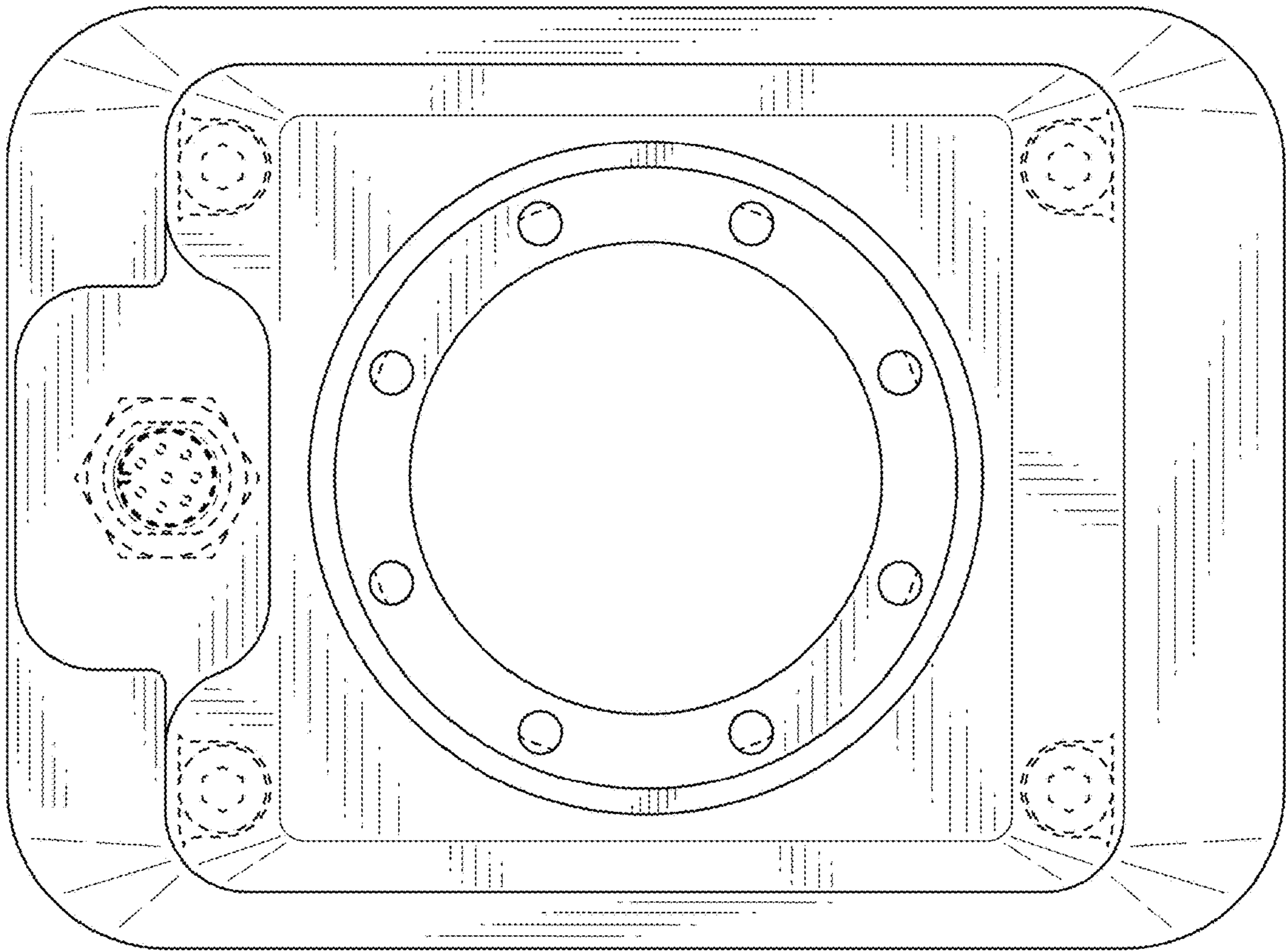
1.2



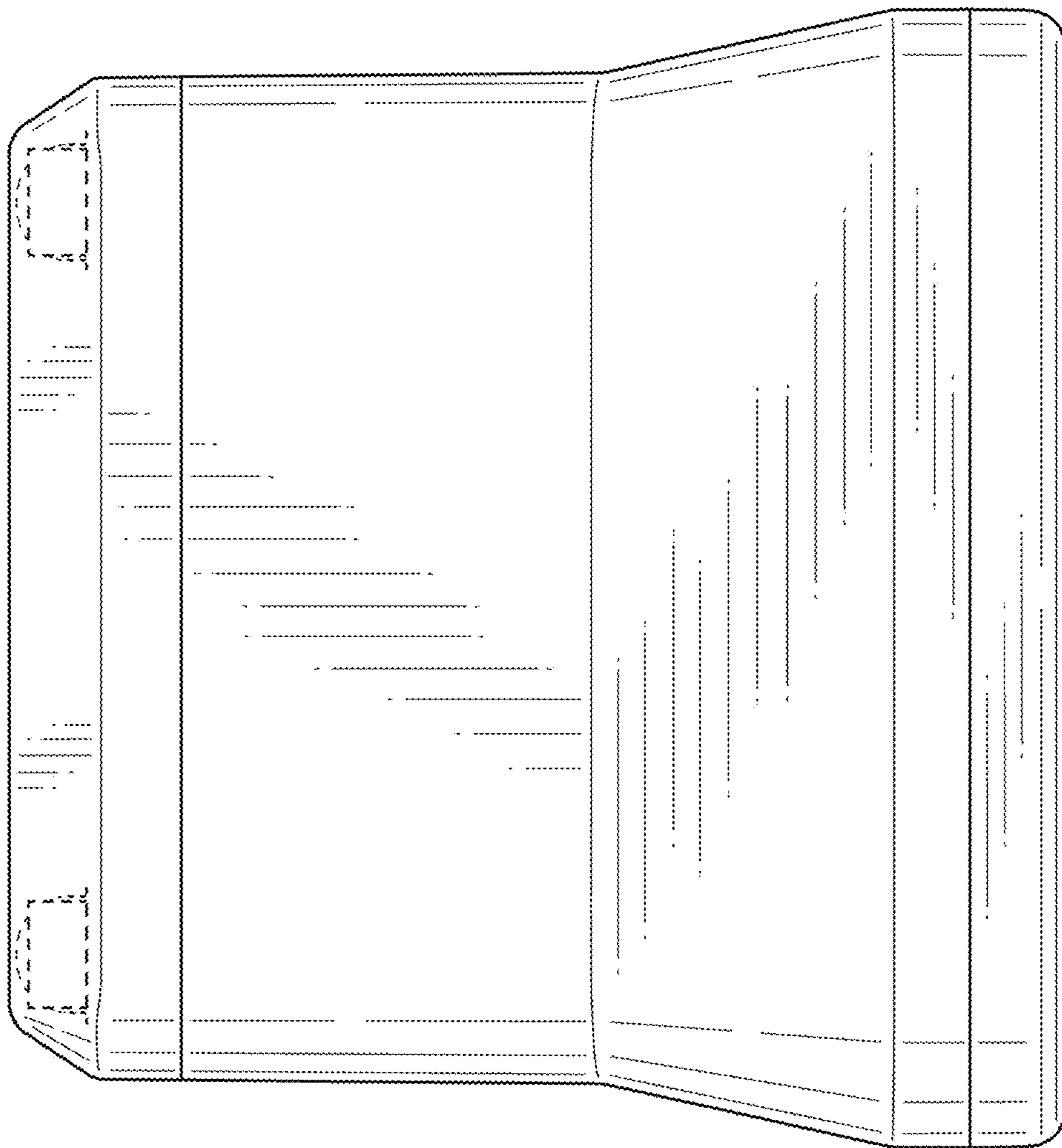
1.3



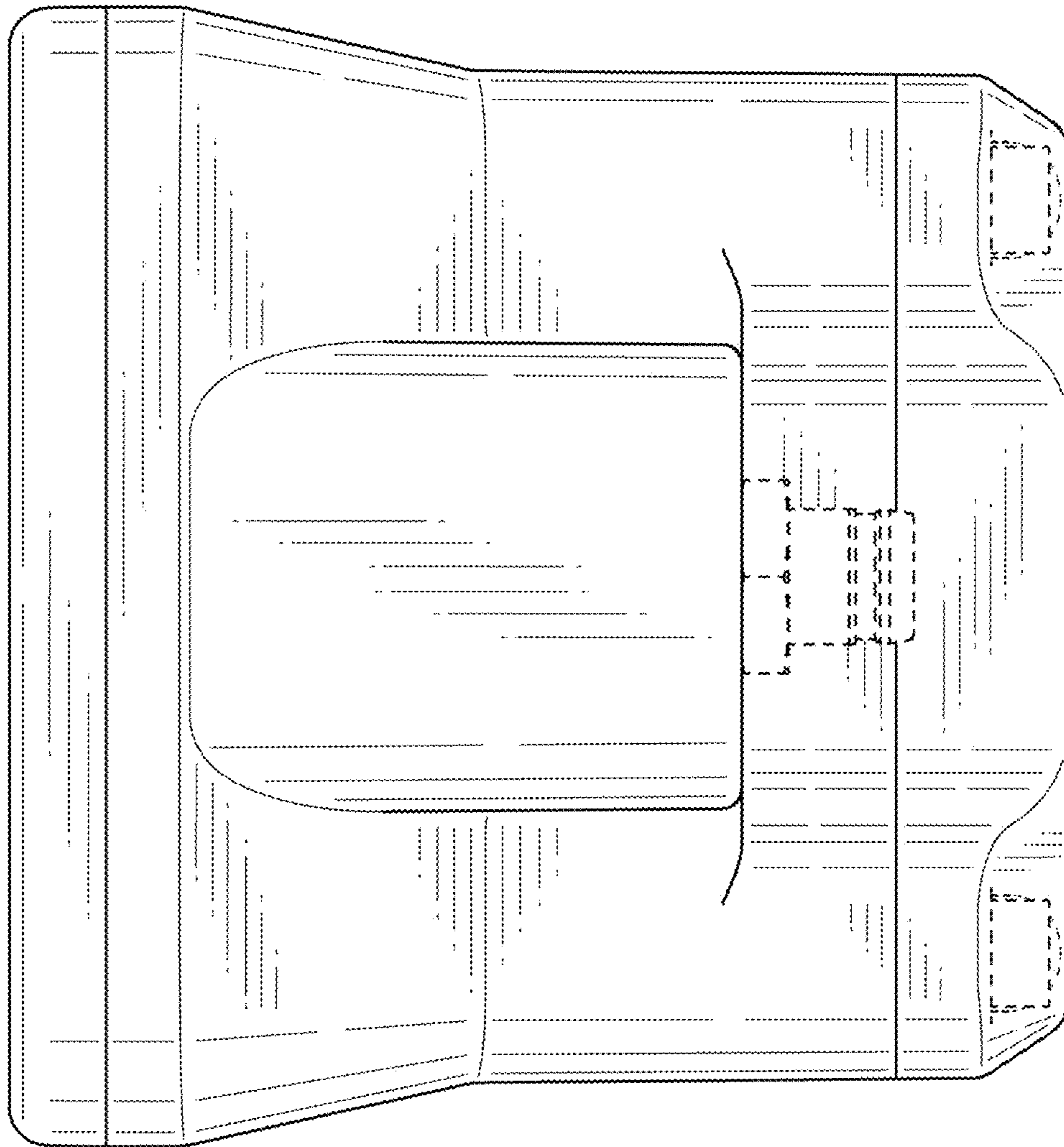
1.4



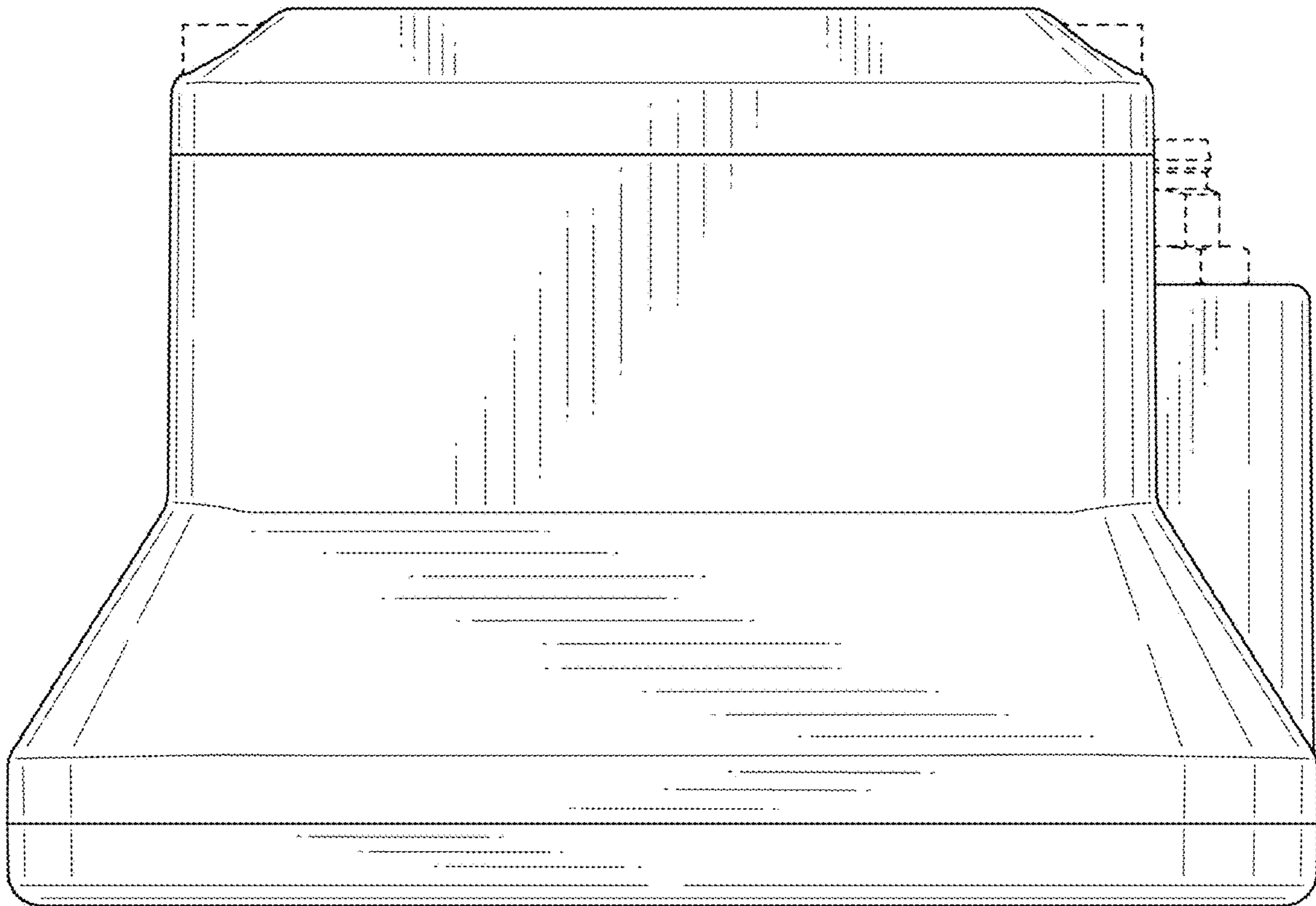
1.5



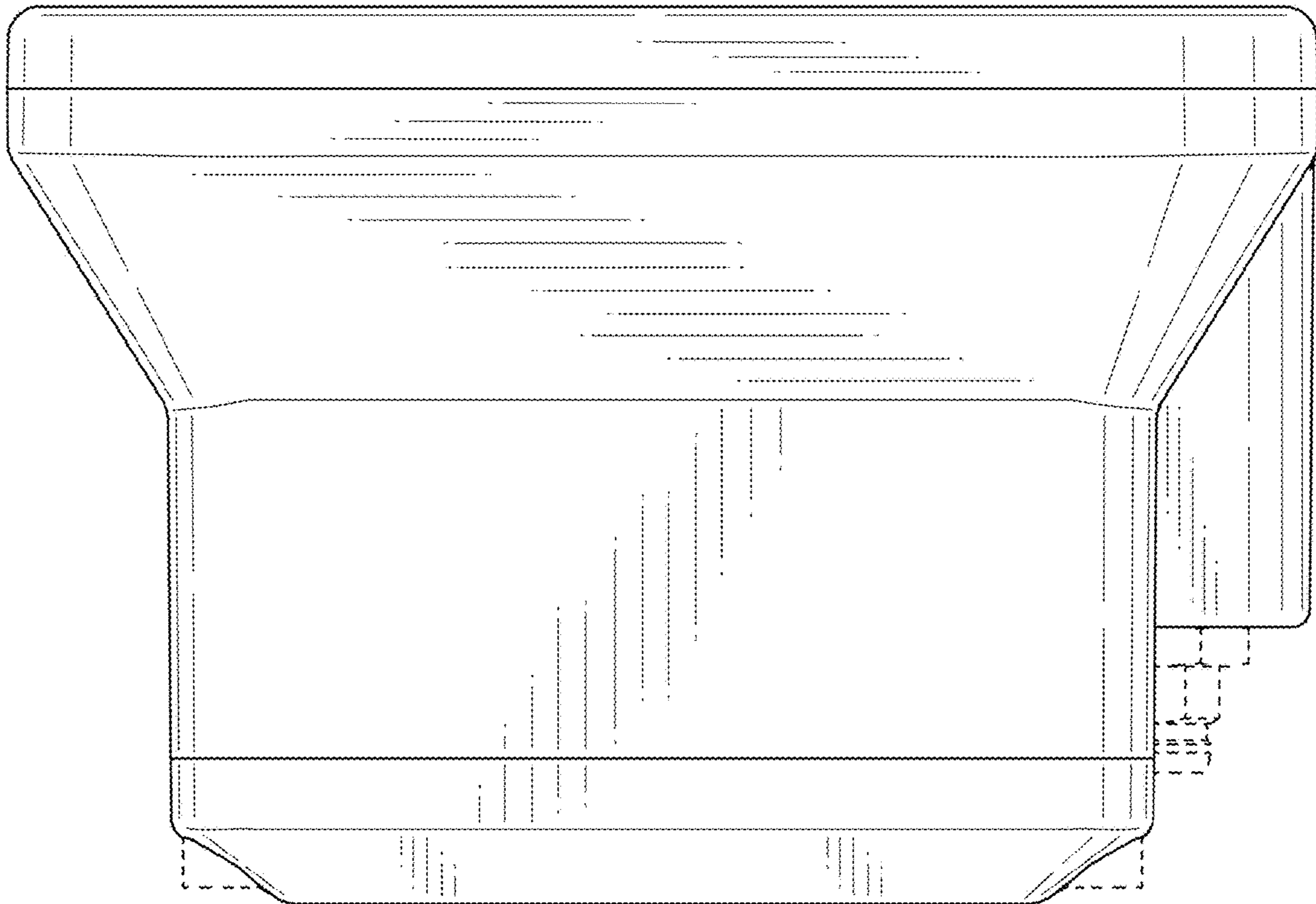
1.6



1.7



1.8



UNITED STATES PATENT AND TRADEMARK OFFICE
CERTIFICATE OF CORRECTION

PATENT NO. : D978,225 S
APPLICATION NO. : 35/513083
DATED : February 14, 2023
INVENTOR(S) : Kaneko et al.

Page 1 of 1

It is certified that error appears in the above-identified patent and that said Letters Patent is hereby corrected as shown below:

On the Title Page

Insert the following:

-- (30) Foreign Application Priority Data
Dec. 11, 2020 (JP) 2020-026760 --

Signed and Sealed this
Twelfth Day of November, 2024
Katherine Kelly Vidal

Katherine Kelly Vidal
Director of the United States Patent and Trademark Office