



US00D978224S

(12) **United States Design Patent** (10) **Patent No.:** **US D978,224 S**
Lee et al. (45) **Date of Patent:** **** Feb. 14, 2023**

(54) **PROJECTOR**

(71) Applicant: **LG ELECTRONICS INC.**, Seoul (KR)

(72) Inventors: **Eunbong Lee**, Seoul (KR); **Daihyung Ryu**, Seoul (KR)

(73) Assignee: **LG ELECTRONICS INC.**, Seoul (KR)

(**) Term: **15 Years**

(21) Appl. No.: **35/513,171**

(22) Filed: **Jun. 15, 2021**

(80) **Hague Agreement Data**

Int. Filing Date: **Jun. 15, 2021**

Int. Reg. No.: **DM/215092**

Int. Reg. Date: **Jun. 15, 2021**

Int. Reg. Pub. Date: **Dec. 17, 2021**

(30) **Foreign Application Priority Data**

Jan. 5, 2021 (KR) 30-2021-0000340

(51) **LOC (14) Cl.** **16-02**

(52) **U.S. Cl.**
USPC **D16/230**

(58) **Field of Classification Search**

USPC D16/221, 225, 230–231, 234; D21/514

CPC G03B 21/16; G03B 21/14; G03B 21/145;
G03B 21/00; G03B 21/001; G03B
21/003; G03B 21/12

See application file for complete search history.

(56) **References Cited**

U.S. PATENT DOCUMENTS

D631,080	S	*	1/2011	Han	D16/230
D769,349	S	*	10/2016	Seo	D16/230
D769,958	S	*	10/2016	Seo	D16/230
D923,078	S	*	6/2021	Ryu	D16/230
D949,947	S	*	4/2022	Ryu	D16/221

* cited by examiner

Primary Examiner — Wan Laymon

(74) *Attorney, Agent, or Firm* — Birch, Stewart, Kolasch & Birch, LLP

(57) **CLAIM**

The ornamental design for a projector, as shown and described.

DESCRIPTION

1. Projector

1.1 : Front perspective view

1.2 : Bottom perspective view

1.3 : Front

1.4 : Back

1.5 : Left

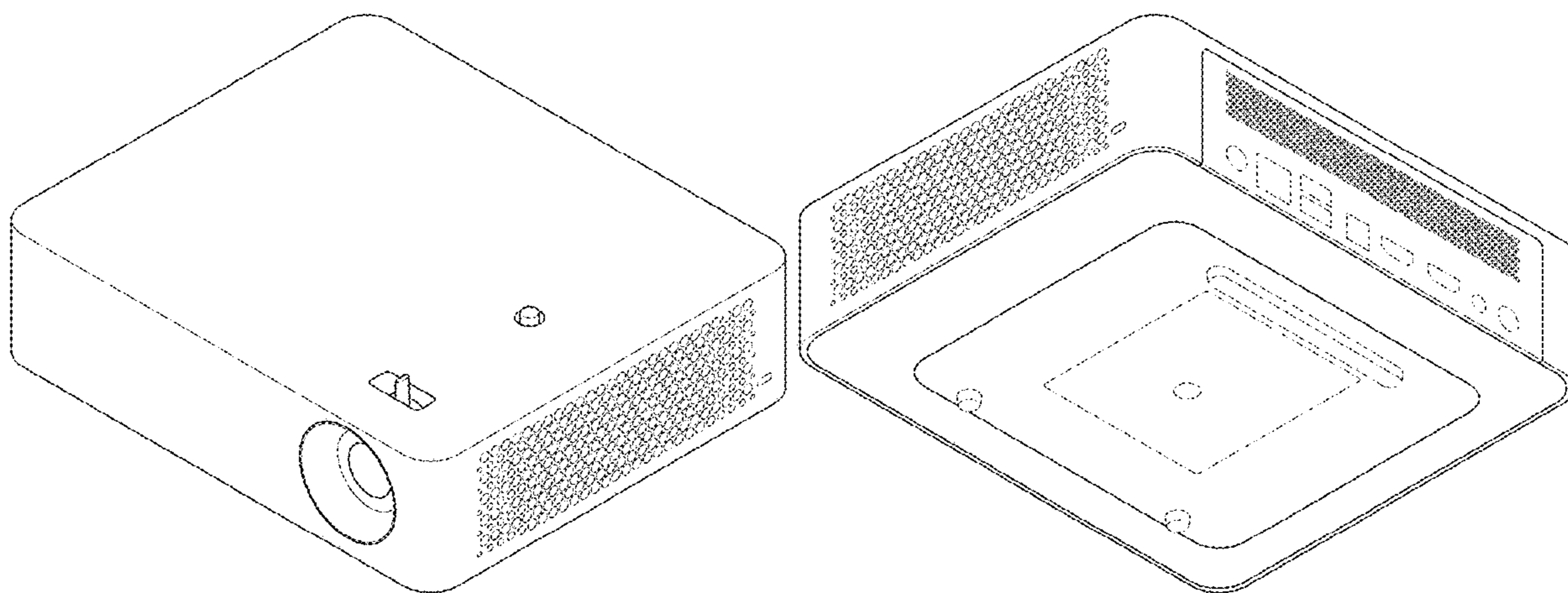
1.6 : Right

1.7 : Top

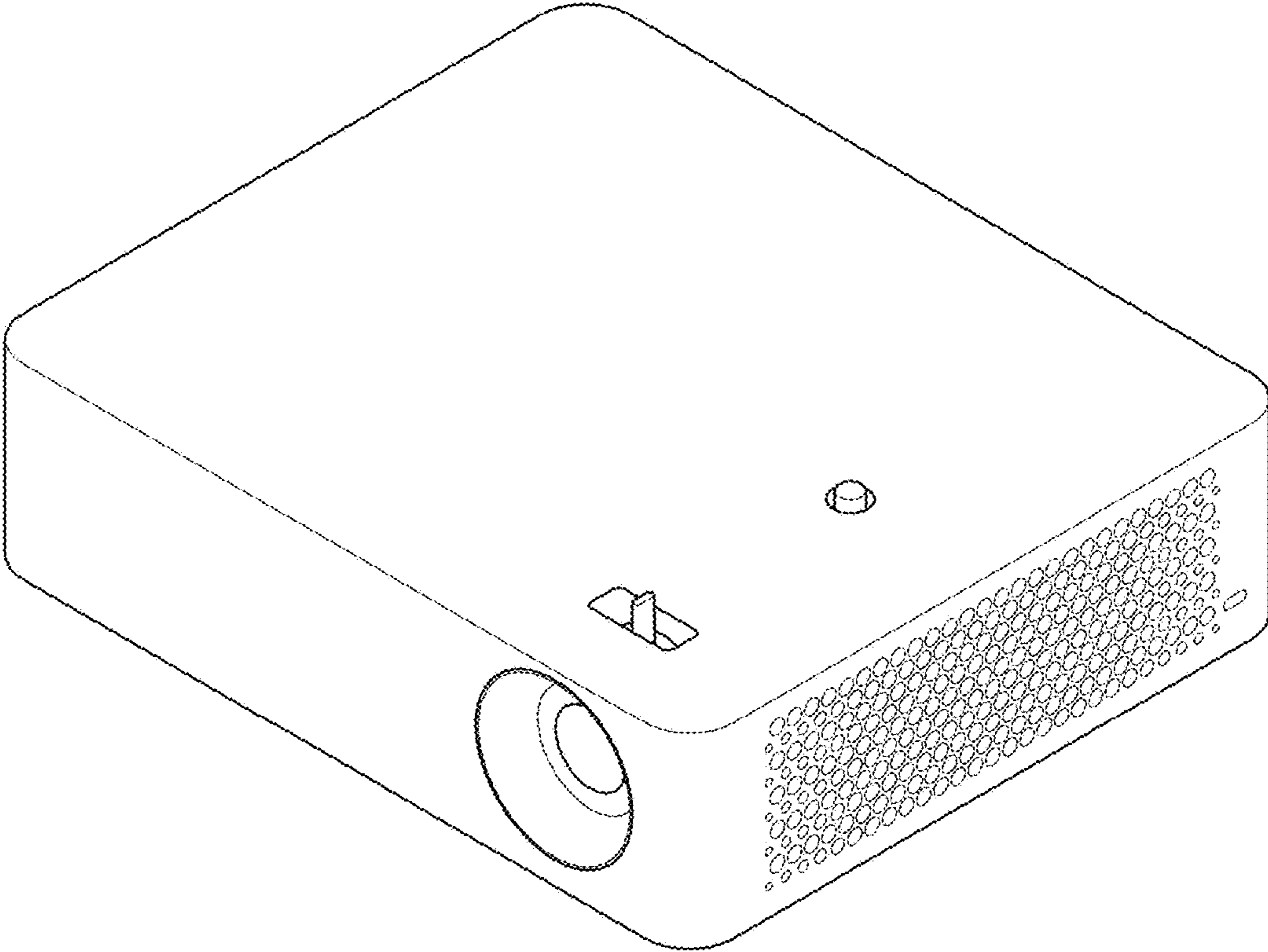
1.8 : Bottom

The parts shown by means of broken lines in the reproductions are not part of the claimed design.

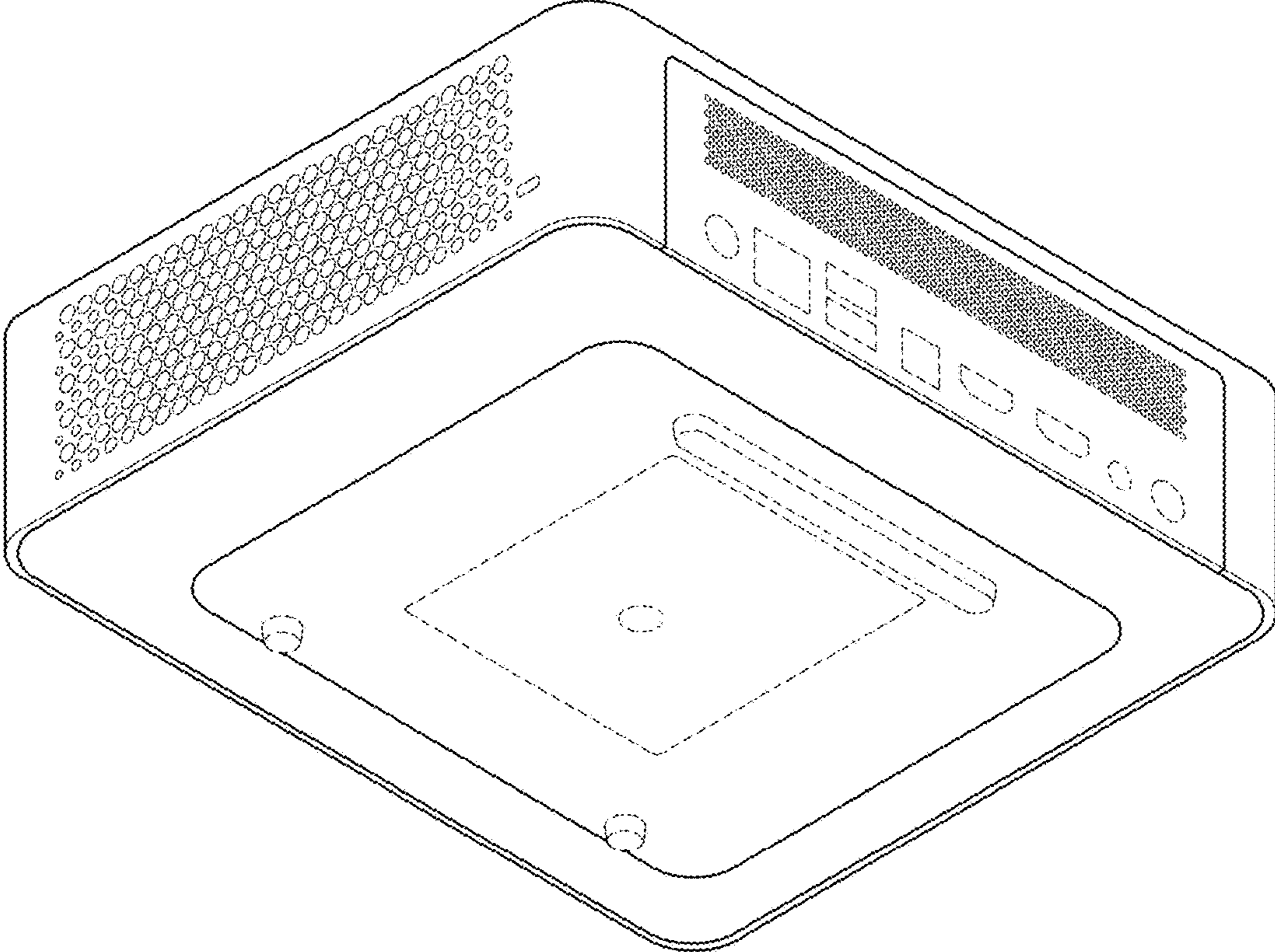
1 Claim, 8 Drawing Sheets



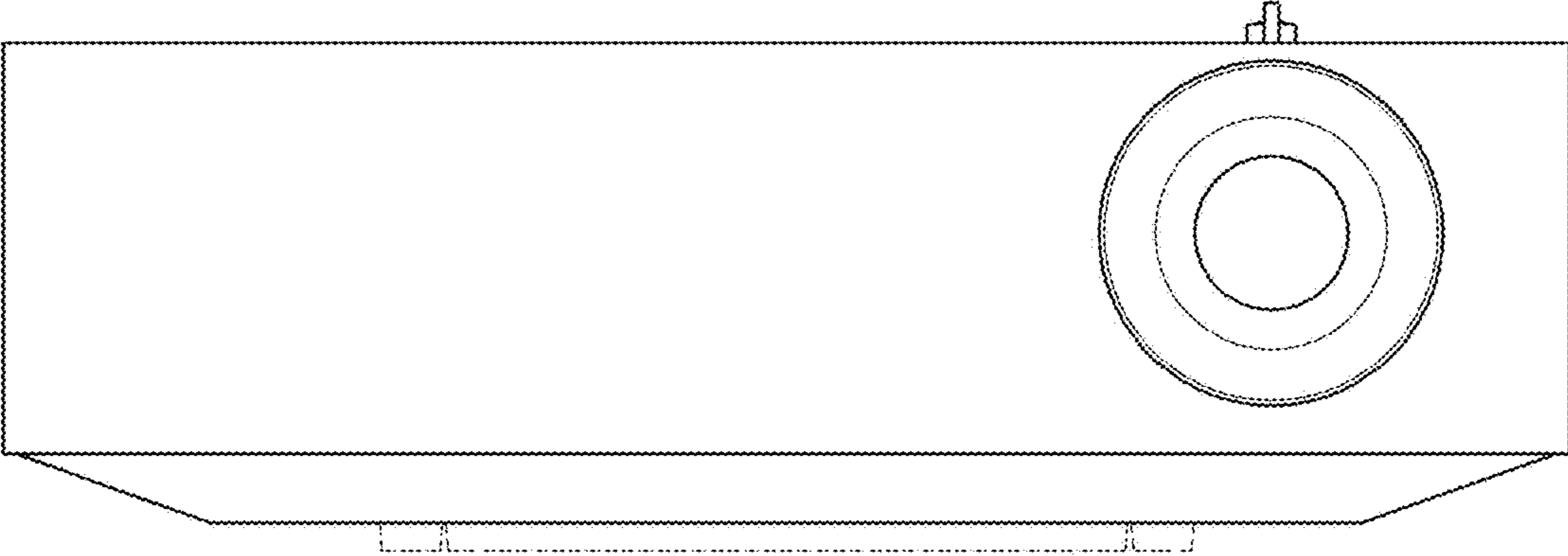
1.1



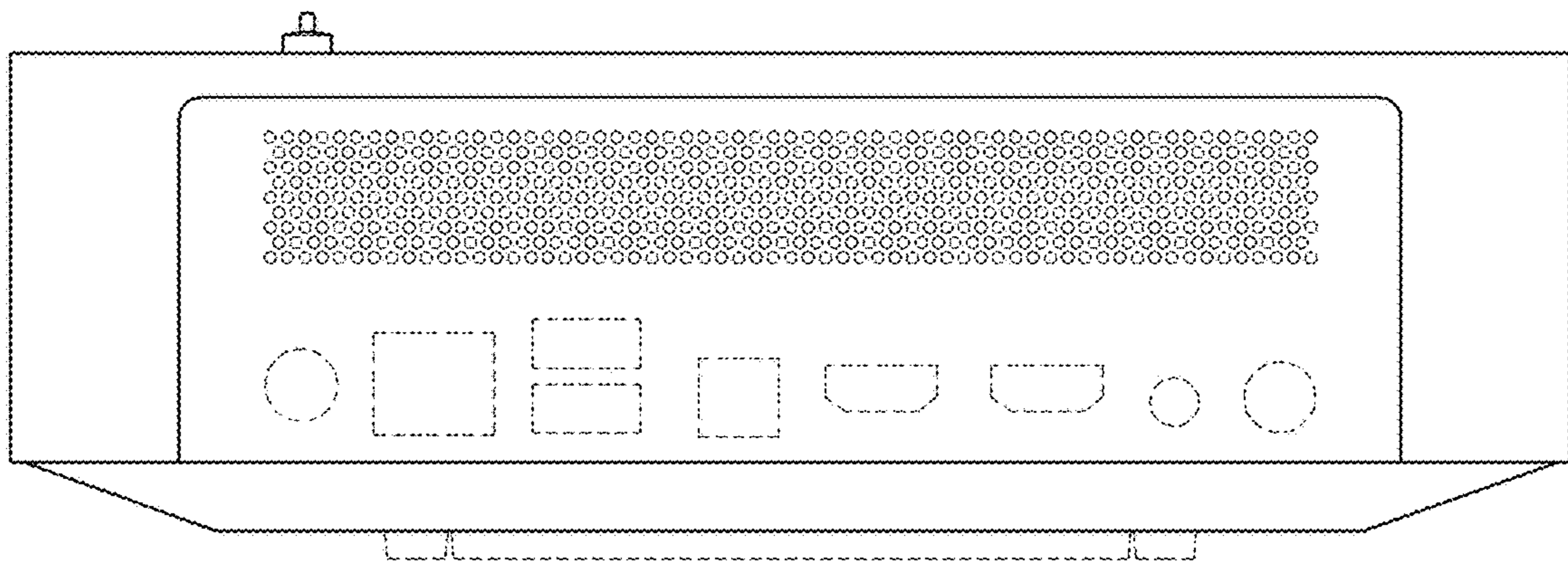
1.2



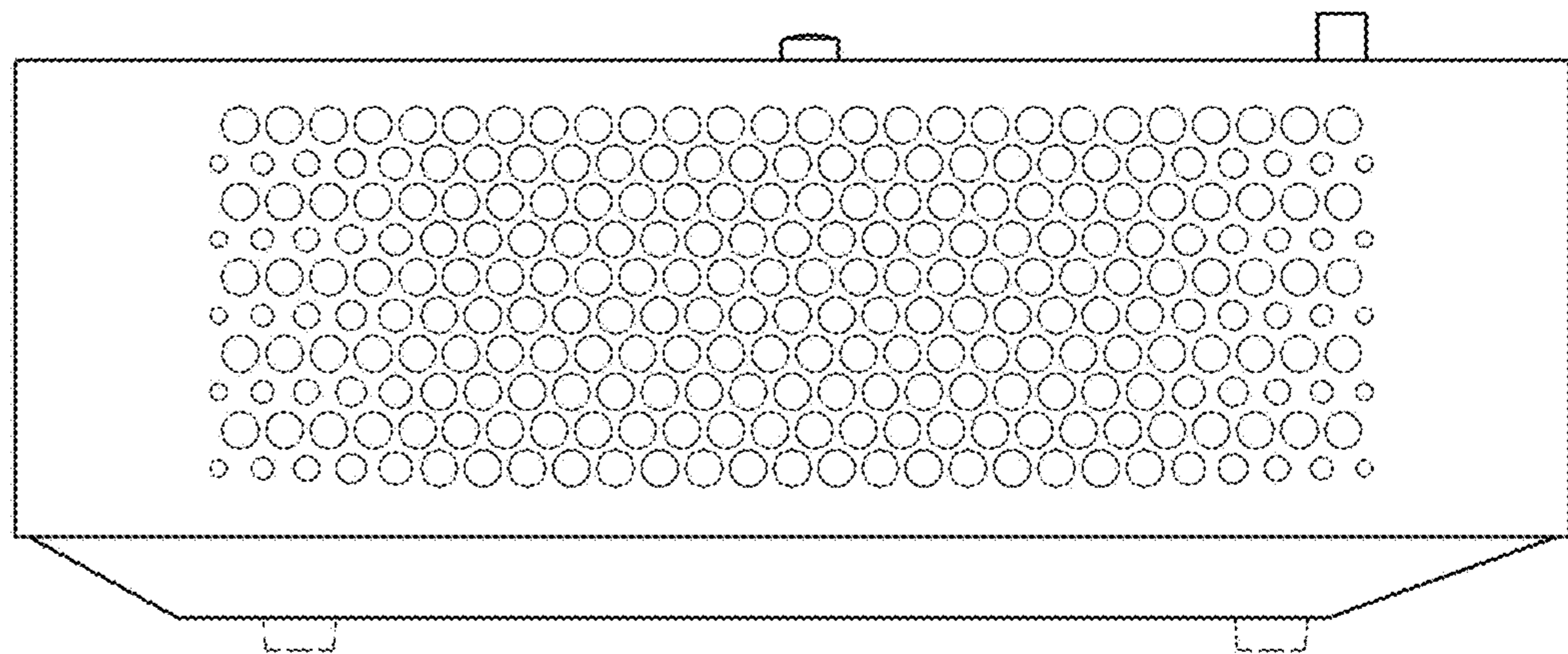
1.3



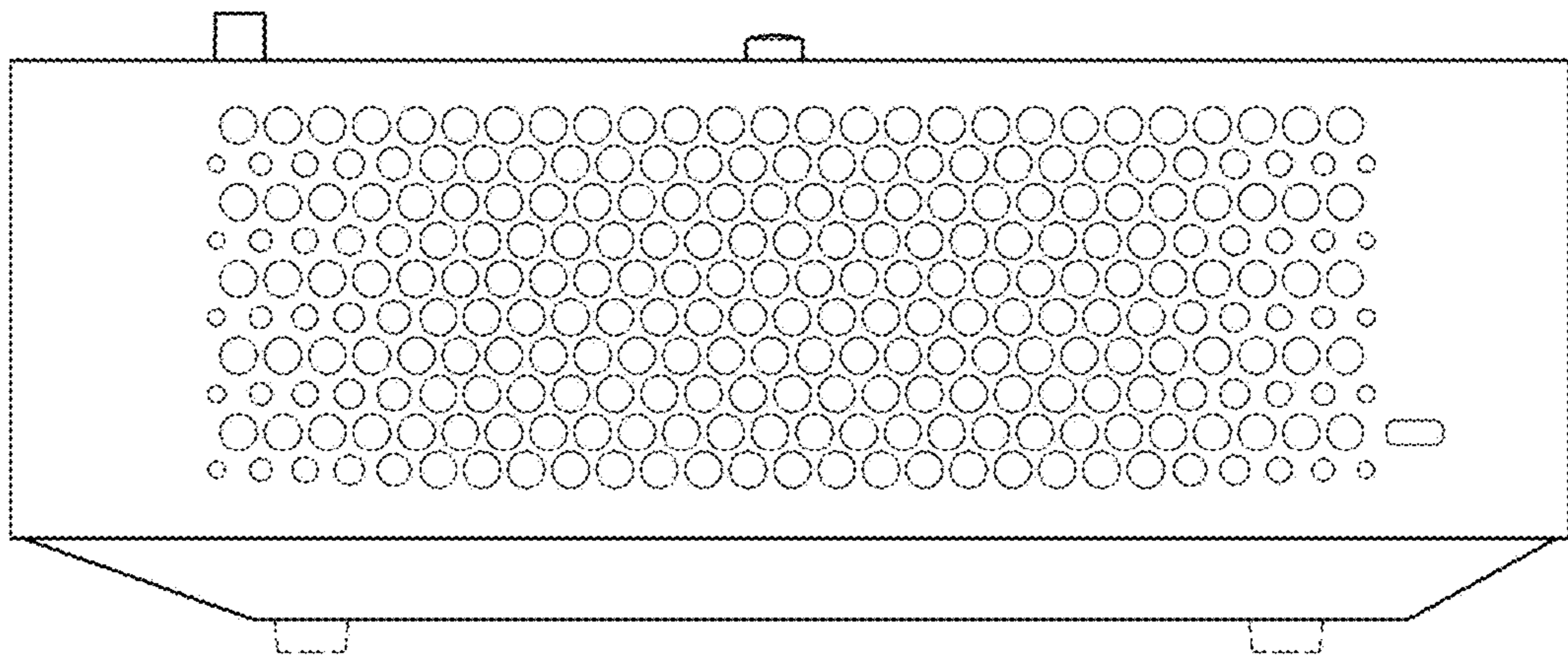
1.4



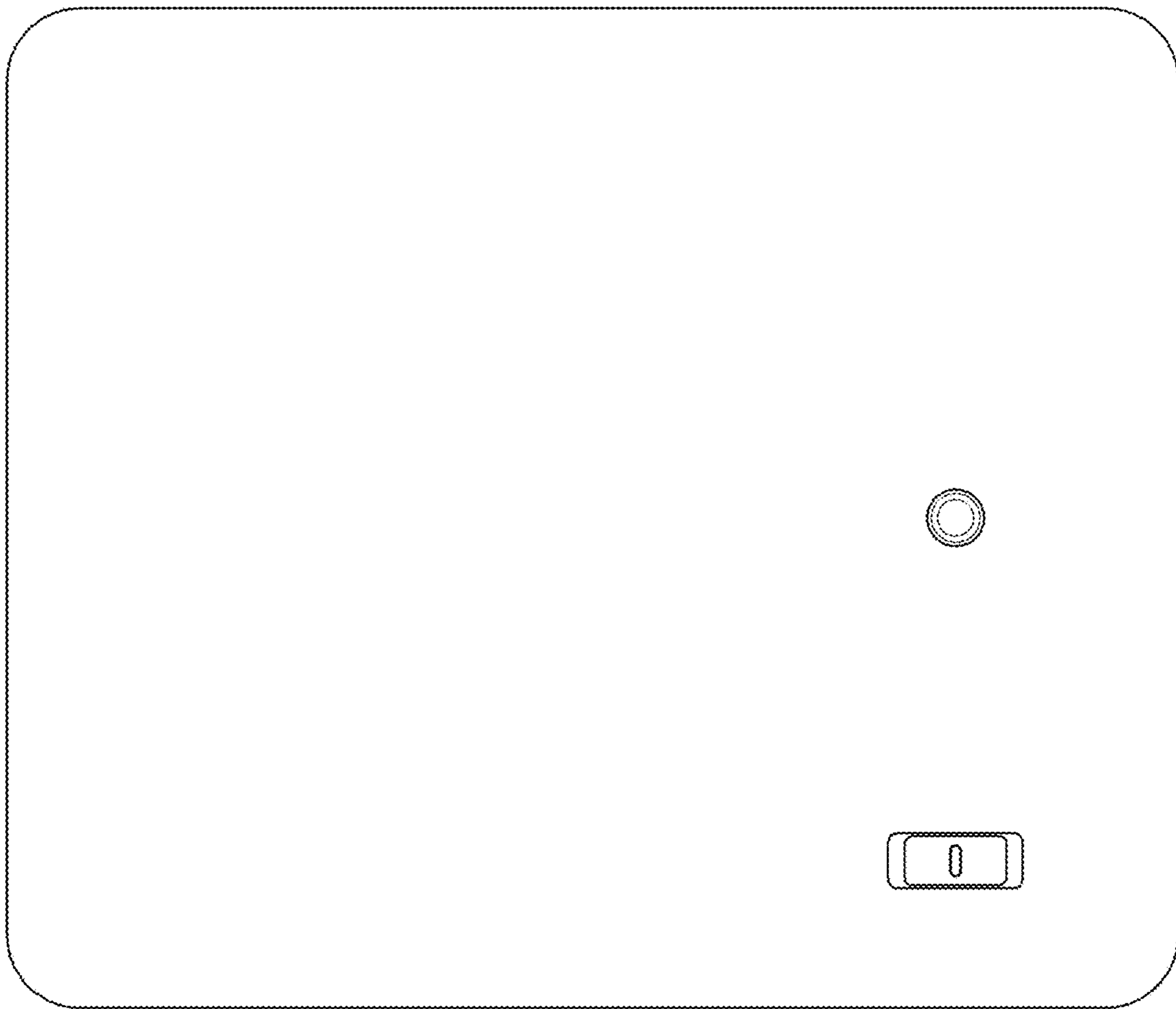
1.5



1.6



1.7



1.8

