



US00D978223S

(12) **United States Design Patent** (10) **Patent No.:** **US D978,223 S**
Minnis et al. (45) **Date of Patent:** **** Feb. 14, 2023**

(54) **PROJECTOR DEVICE**

- (71) Applicant: **Amazon Technologies, Inc.**, Seattle, WA (US)
- (72) Inventors: **Sydney Tye Minnis**, Seattle, WA (US); **Ryan Scott Russell**, Bellevue, WA (US); **Martin Aalund**, Seattle, WA (US); **Oszkar Tiberius Bajko**, Issaquah, WA (US); **Rahul Gupta**, Bothell, WA (US); **Mona Mayeh**, Seattle, WA (US); **Kristina Perez de Tagle**, Kent, WA (US); **Sudarshan Rangaraj**, Seattle, WA (US); **Hung-Bing Tan**, Seattle, WA (US); **Arivazhagan Chandrashekar**, Issaquah, WA (US); **Pierre Della Nave**, London (GB)
- (73) Assignee: **Amazon Technologies, Inc.**, Seattle, WA (US)
- (**) Term: **15 Years**
- (21) Appl. No.: **29/785,401**
- (22) Filed: **May 25, 2021**

Related U.S. Application Data

- (63) Continuation-in-part of application No. 29/757,909, filed on Nov. 10, 2020, now Pat. No. Des. 966,398.
- (51) **LOC (14) Cl.** **16-02**
- (52) **U.S. Cl.**
USPC **D16/225; D16/230**
- (58) **Field of Classification Search**
USPC D16/221, 225, 229–231; D21/514
CPC G03B 21/145; G03B 21/14; G03B 21/16; G03B 21/00; G03B 21/001; G03B 21/12
See application file for complete search history.

(56) **References Cited**

U.S. PATENT DOCUMENTS

2,060,560	A *	11/1936	Ellis, Jr.	G03B 21/145 353/77
D670,321	S *	11/2012	Chien	D16/221
D770,554	S *	11/2016	Han	D16/225
D781,365	S *	3/2017	Kim	D16/230
D781,366	S *	3/2017	Kim	D16/230
9,612,513	B2 *	4/2017	Yoshida	G03B 21/00
D858,613	S *	9/2019	Cho	D16/221
10,884,325	B2 *	1/2021	Chien	G03B 21/145
11,368,651	B1 *	6/2022	Gupta	G06F 1/1639
D966,398	S *	10/2022	Minnis	D16/230
2022/0294993	A1 *	9/2022	Gupta	H04N 5/23216

OTHER PUBLICATIONS

Office Action for U.S. Appl. No. 29/757,909, dated Mar. 29, 2022, Minnis, "Projector Device", 8 pages.

* cited by examiner

Primary Examiner — Wan Laymon

(74) *Attorney, Agent, or Firm* — Lee & Hayes, P.C.

(57) **CLAIM**

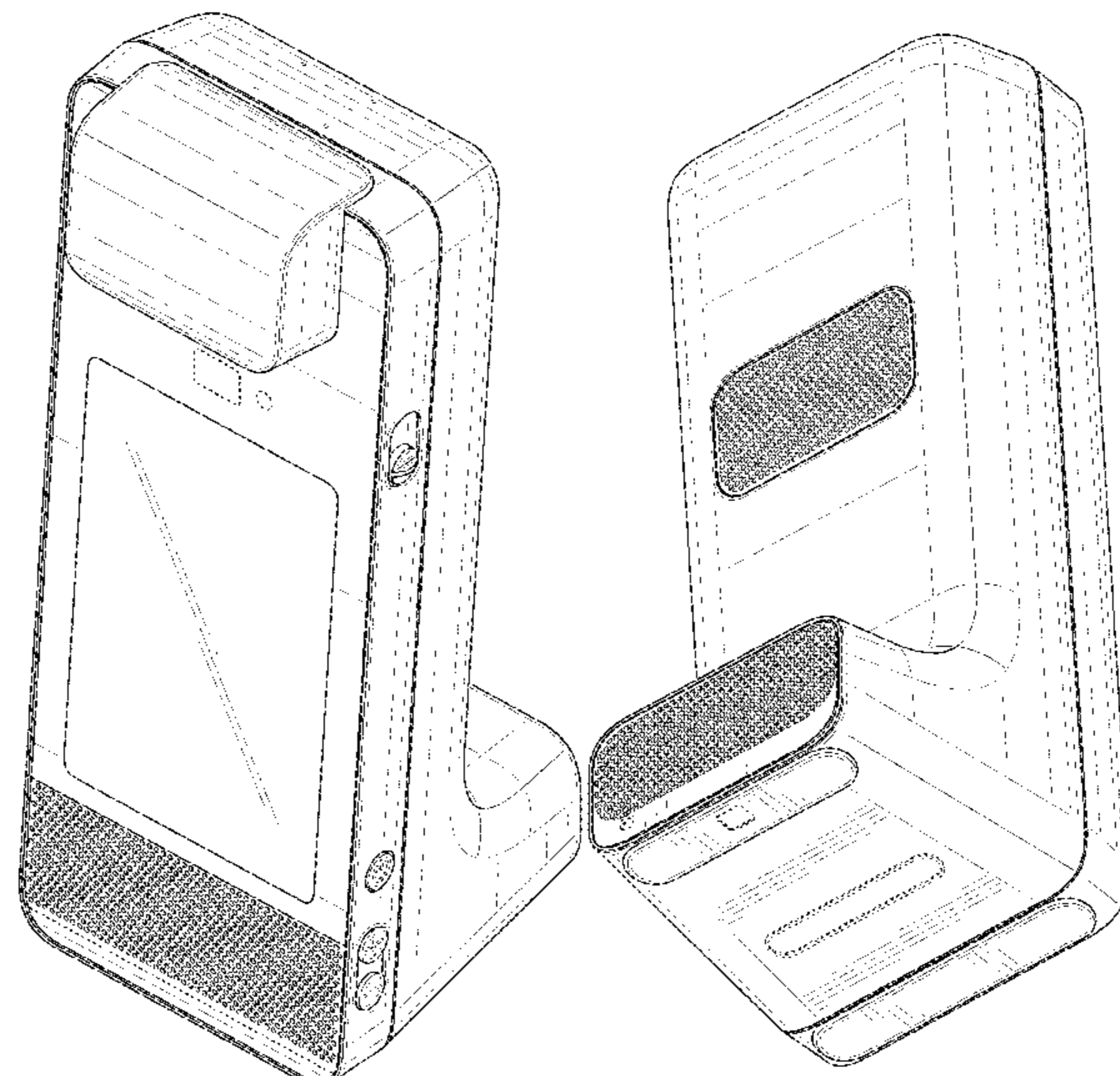
The ornamental design for a projector device, as shown and described.

DESCRIPTION

FIG. 1 is a top, front, right-side perspective view of a projector device;
 FIG. 2 is a bottom, back, left-side perspective view thereof;
 FIG. 3 is a front view thereof;
 FIG. 4 is a back view thereof;
 FIG. 5 is a right-side view thereof;
 FIG. 6 is a left-side view thereof;
 FIG. 7 is a top view thereof; and,
 FIG. 8 is a bottom view thereof.

The dashed broken lines depict portions of the projector device form no part of the claimed design.

1 Claim, 8 Drawing Sheets



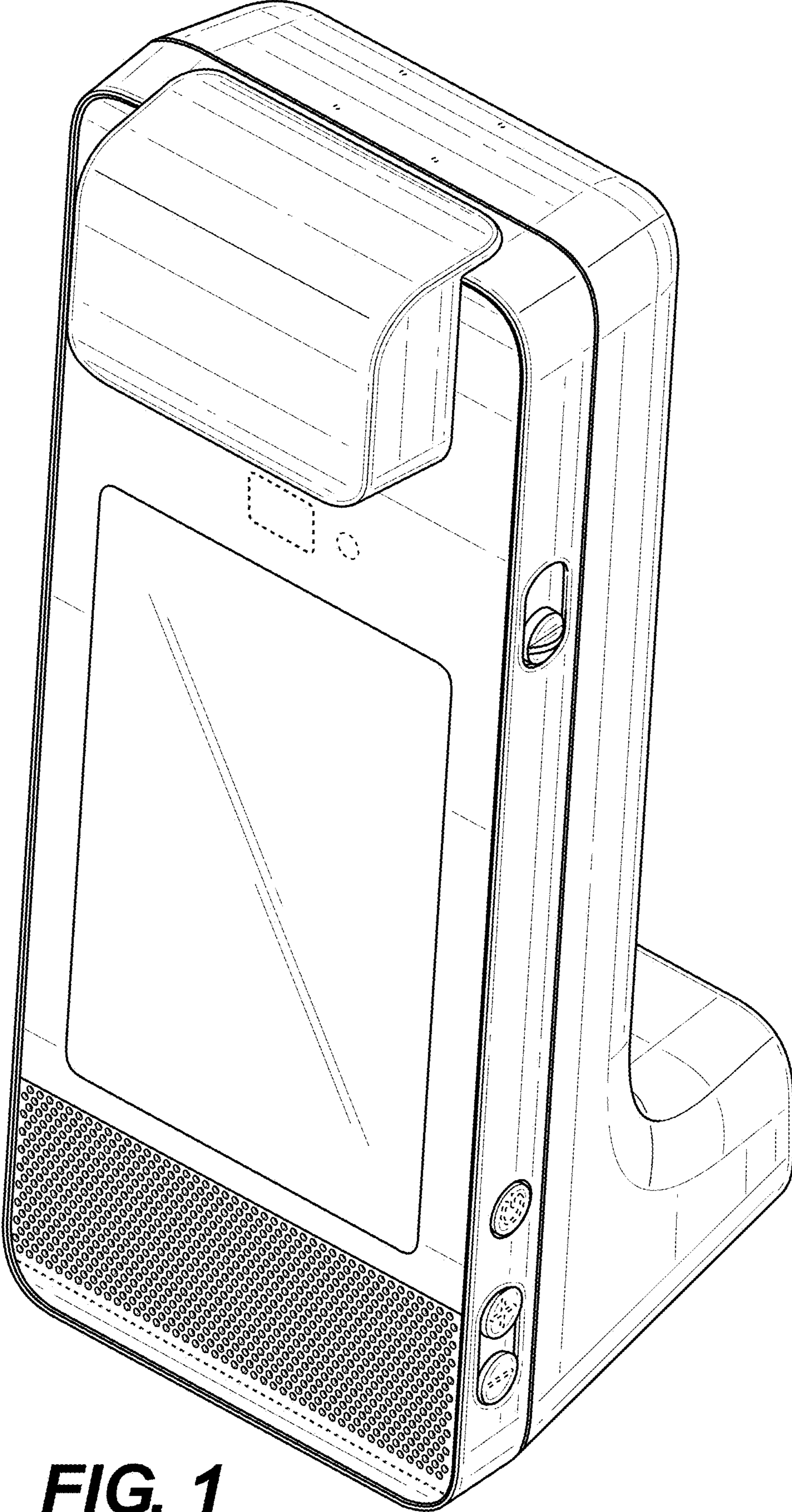


FIG. 1

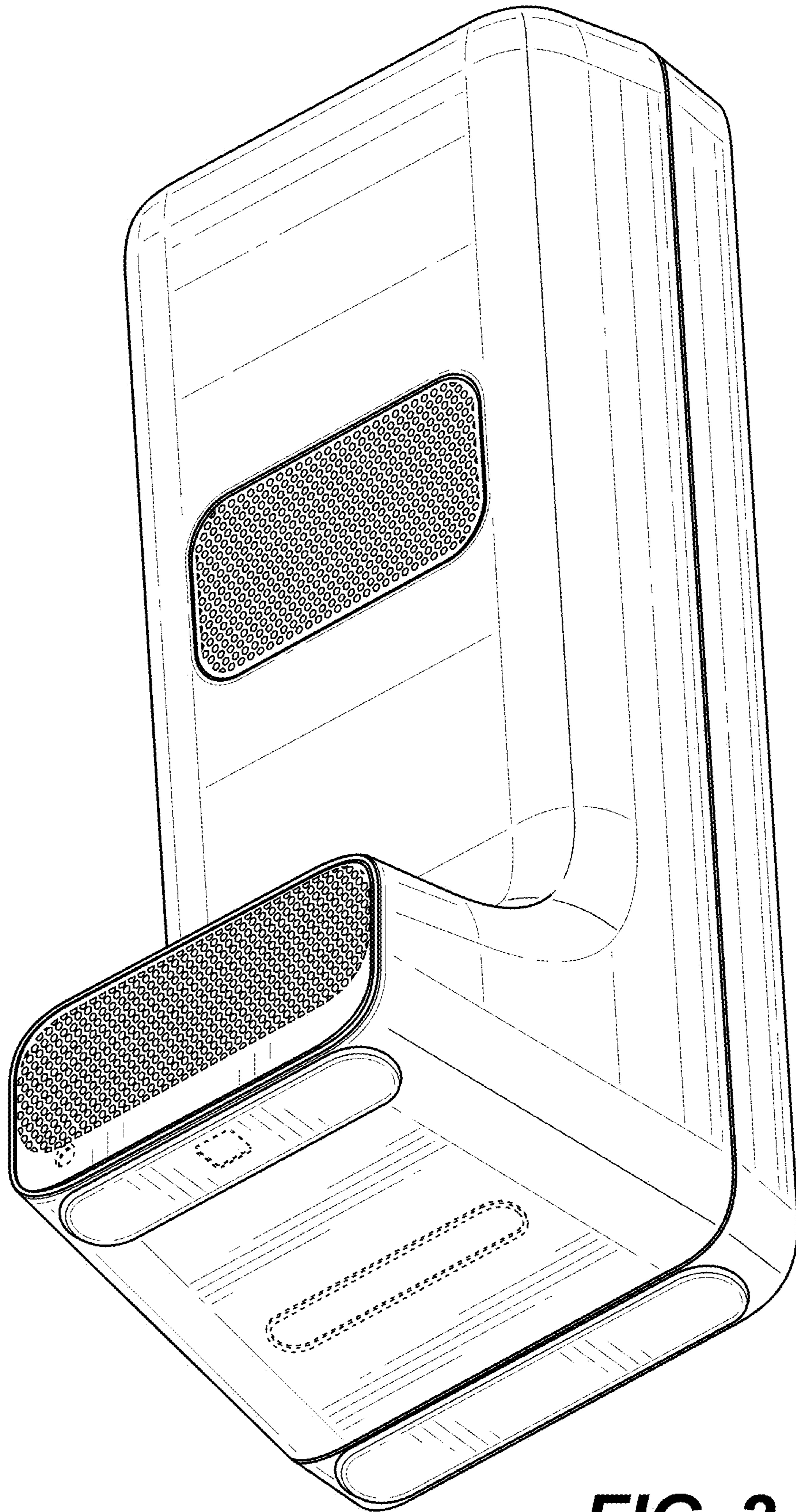


FIG. 2

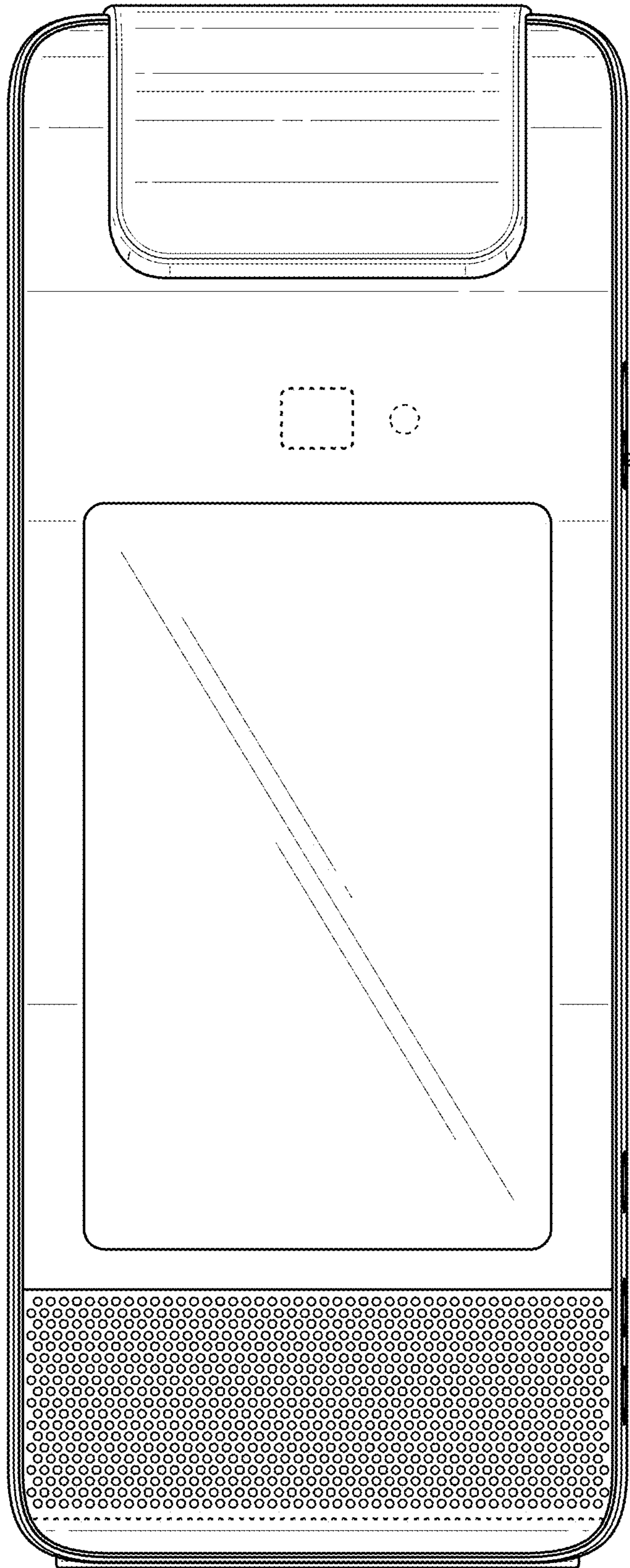


FIG. 3

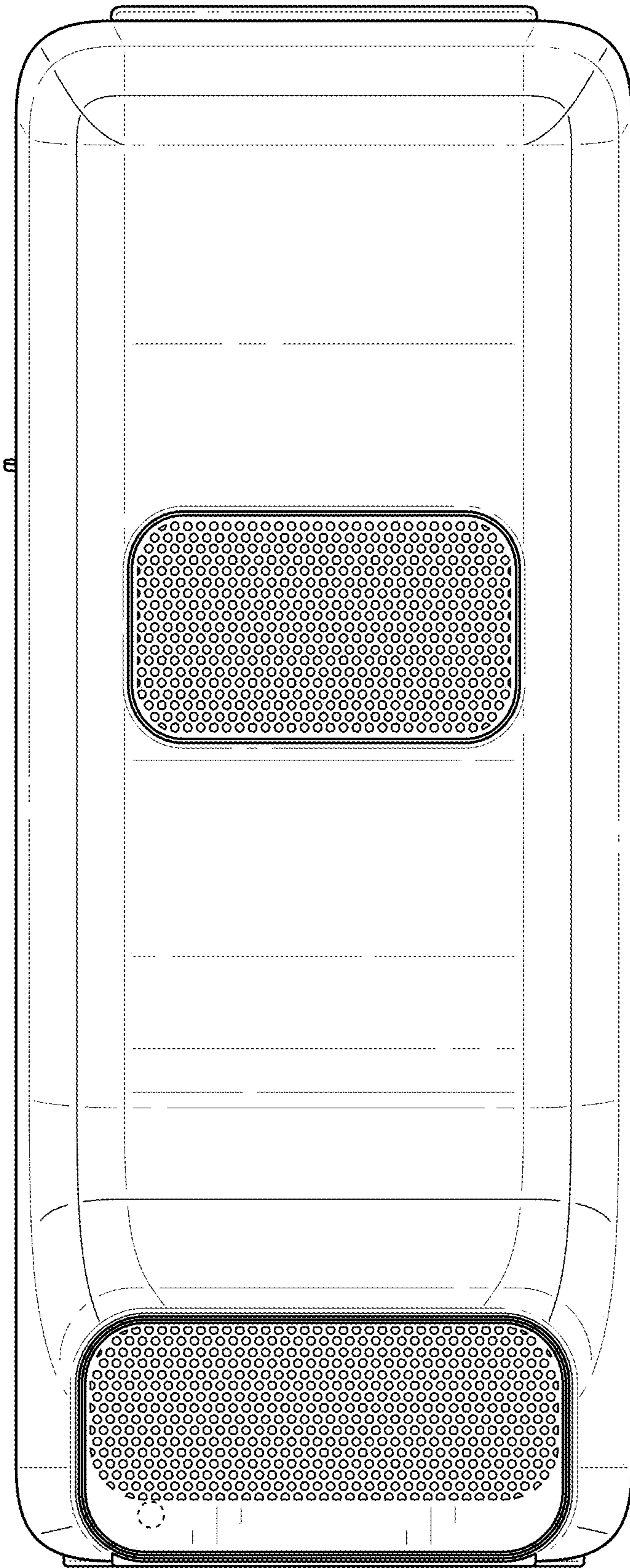


FIG. 4

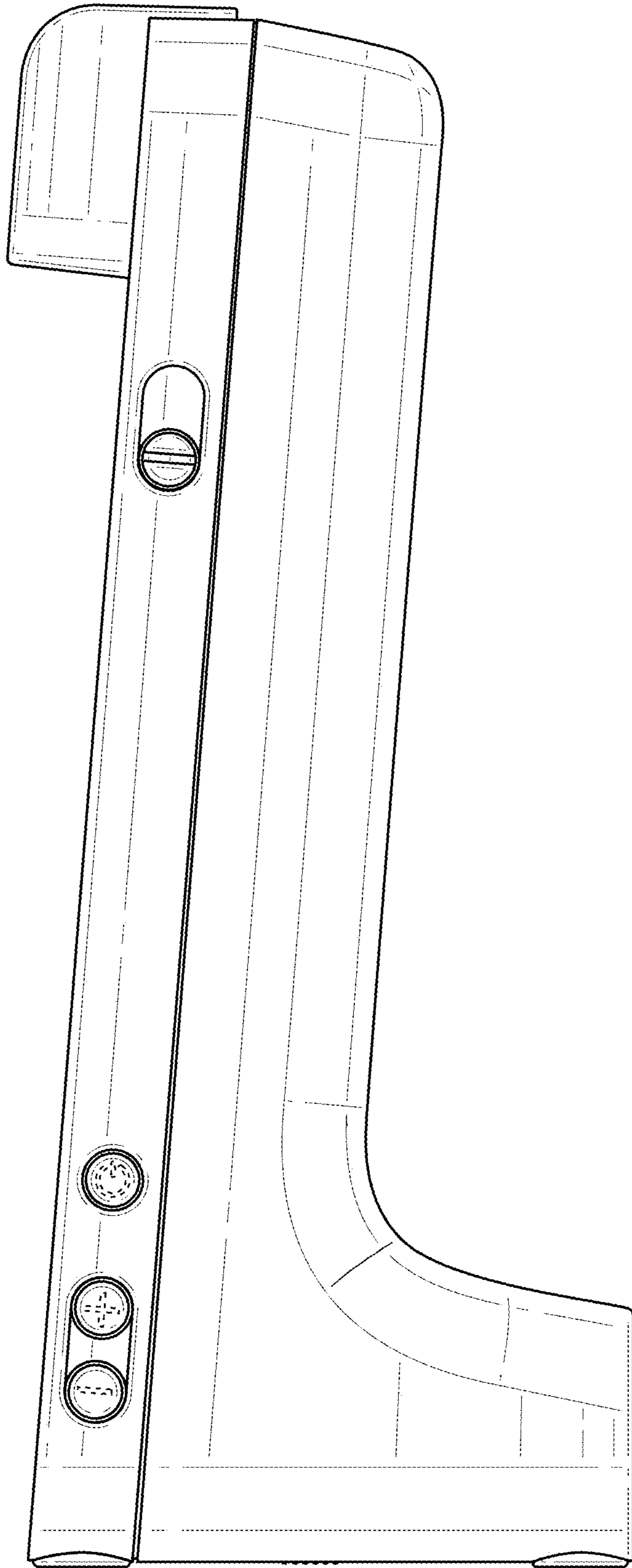


FIG. 5

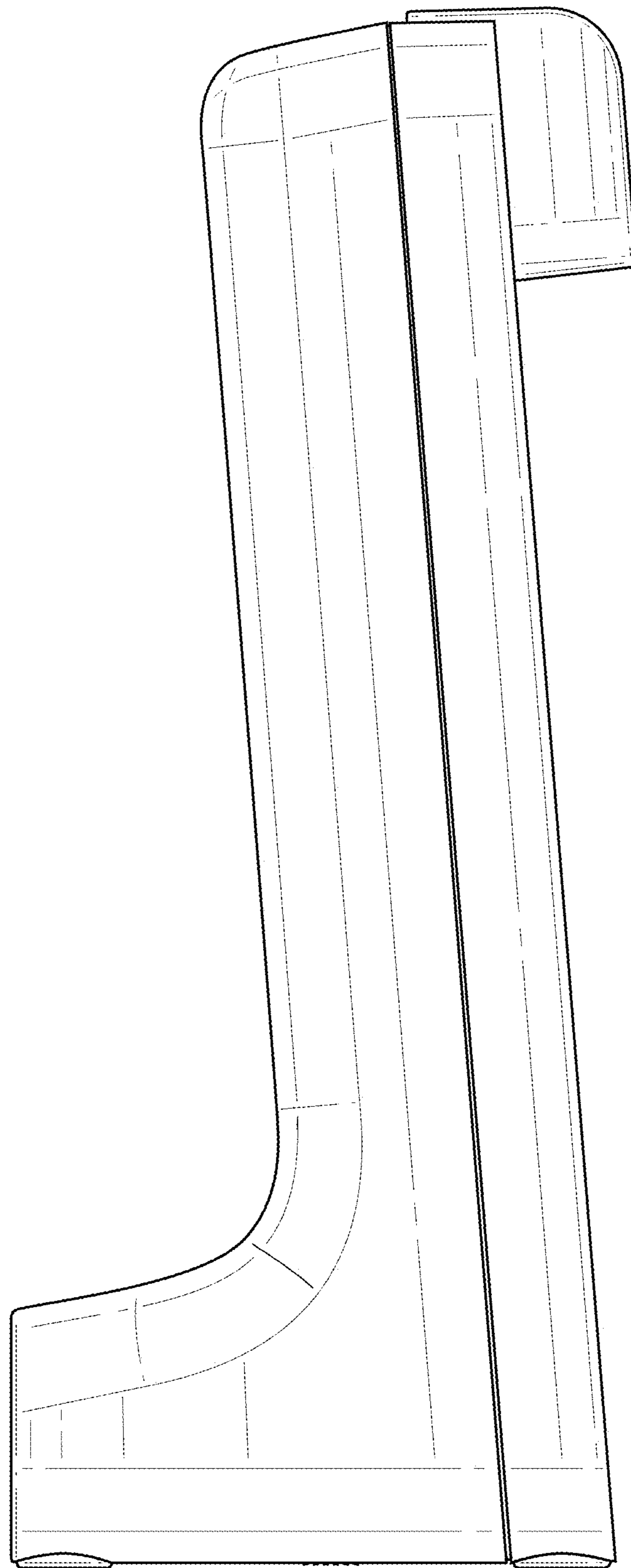


FIG. 6

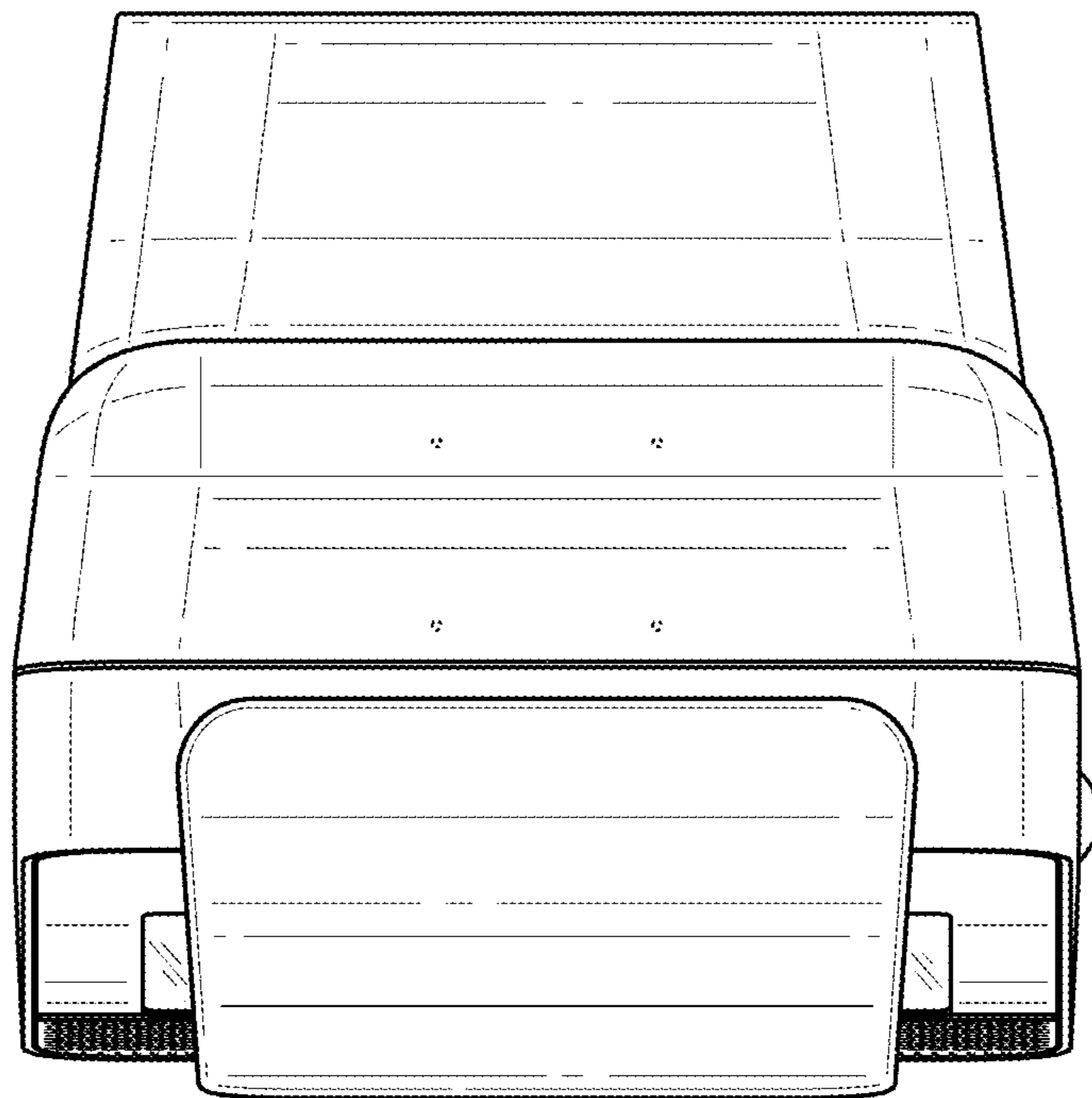


FIG. 7

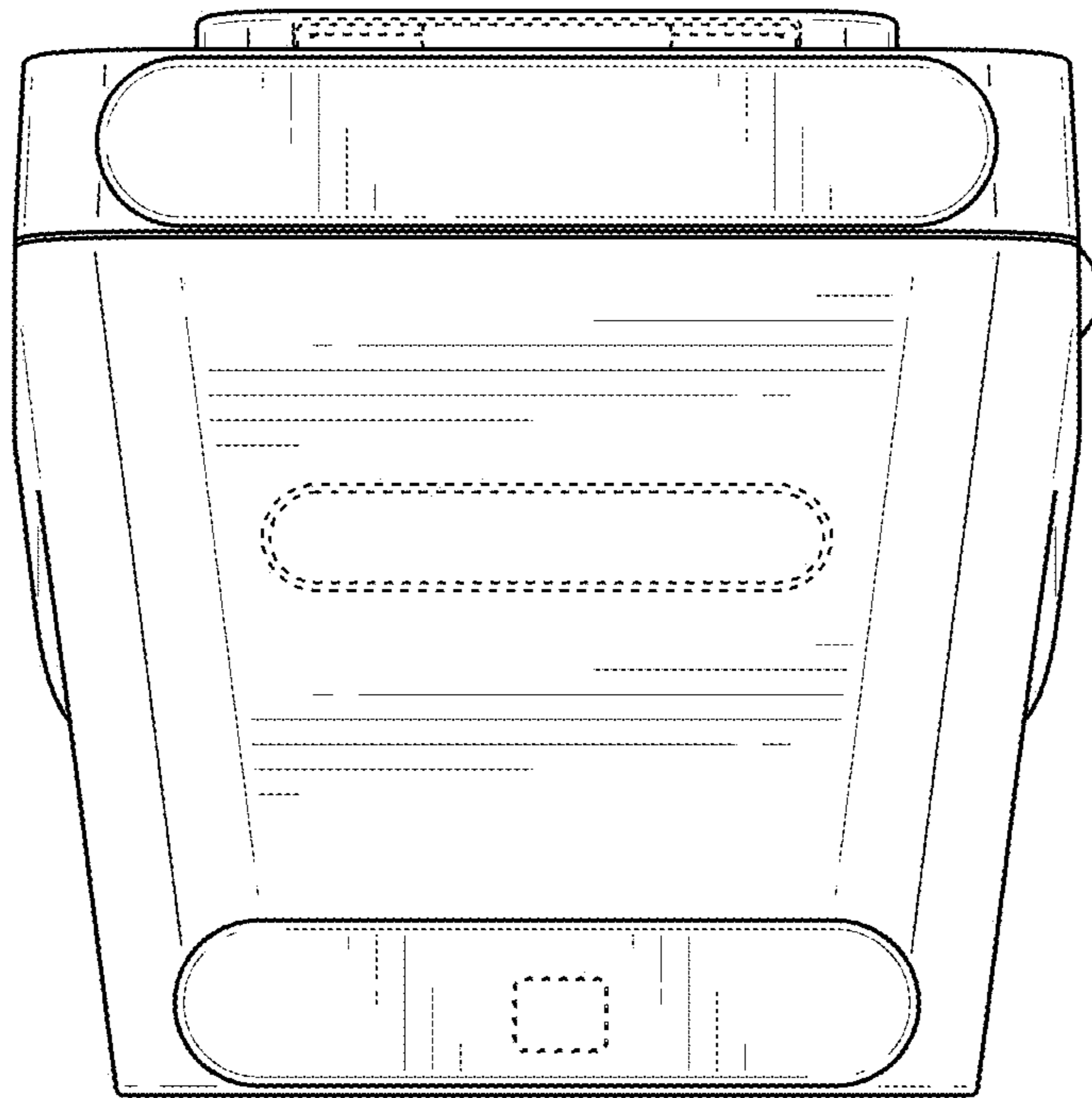


FIG. 8