



US00D978221S

(12) **United States Design Patent** (10) **Patent No.:** **US D978,221 S**
Lee (45) **Date of Patent:** **** Feb. 14, 2023**

(54) **CAMERA WITH 3-AXIS GIMBAL**
(71) Applicant: **THINKWARE CORPORATION,**
Seongnam-si (KR)

(72) Inventor: **Hyun Ju Lee,** Seongnam-si (KR)

(**) Term: **15 Years**

(21) Appl. No.: **35/512,352**

(22) Filed: **Feb. 8, 2021**

(80) **Hague Agreement Data**

Int. Filing Date: **Feb. 8, 2021**
Int. Reg. No.: **DM/213334**
Int. Reg. Date: **Feb. 8, 2021**
Int. Reg. Pub. Date: **Aug. 13, 2021**

(30) **Foreign Application Priority Data**

Aug. 19, 2020 (KR) 30-2020-0038887

(51) **LOC (14) Cl.** **16-01**

(52) **U.S. Cl.**
USPC **D16/206**

(58) **Field of Classification Search**
USPC D16/200, 202-203, 206, 207, 218, 219
CPC H04N 5/232; G04G 21/02; G06F 1/1686
See application file for complete search history.

(56) **References Cited**

U.S. PATENT DOCUMENTS

D810,806 S * 2/2018 Kim D16/202
D836,699 S * 12/2018 Kim D16/206
D848,508 S * 5/2019 Hsu D16/208
D874,539 S * 2/2020 Wang D16/206
D881,255 S * 4/2020 Li D16/202
D909,447 S * 2/2021 Lin D16/202
D911,415 S * 2/2021 Fang D16/202
D928,862 S * 8/2021 Wang D16/206
D960,221 S * 8/2022 Wang D16/206
D961,652 S * 8/2022 Chen D16/243

2014/0185013 A1* 7/2014 Brown G03B 17/00
294/139
2015/0323856 A1* 11/2015 Nordhaug F16M 11/14
348/208.7
2019/0246038 A1* 8/2019 Kim H04N 5/23245

FOREIGN PATENT DOCUMENTS

CN 207337039 U * 5/2018 G03B 17/04
KR 101680103 B1 * 11/2016 G03B 17/56
WO WO-2022082464 A1 * 4/2022

OTHER PUBLICATIONS

DJI Pocket 2 Creator Combo—3 Axis Gimbal Stabilizer with 4K Camera, 1/1.7" CMOS, 64MP Photo, Pocket-Sized, ActiveTrack 3.0, Glamour Effects (Renewed) (https://www.amazon.com/DJI-Pocket-Creator-Combo-Pocket-Sized/dp/B096G4MH4P/ref=psdc_196573011_t1_B09Z4WXW53?th=1) First available online Jun. 2, 2021.*

DJI Osmo Pocket Handheld 3-Axis 4k Gimbal Stabilizer with Integrated Camera (https://www.amazon.com/Osmo-OSMOPOCKET-Pocket-Video-Camera/dp/B07P6MMVBB/ref=psdc_196573011_t1_B096G4MH4P?th=1) First Available online Apr. 19, 2019.*

* cited by examiner

Primary Examiner — Holly E Thurman

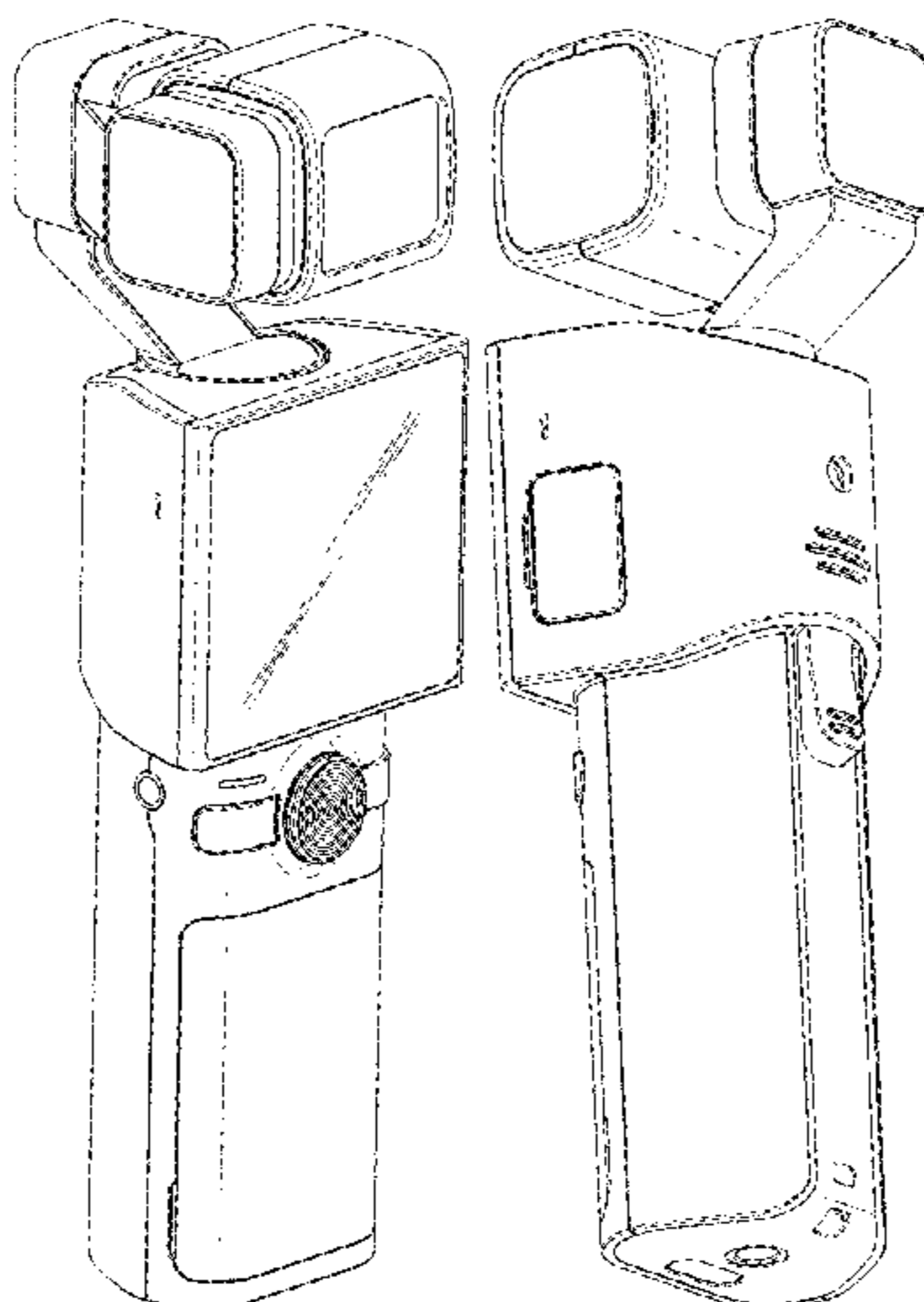
(57) **CLAIM**

The ornamental design for a camera with 3-axis gimbal, as shown and described.

DESCRIPTION

- 1. Camera with 3-axis gimbal
- 1.1 : Perspective
- 1.2 : Perspective
- 1.3 : Front
- 1.4 : Back
- 1.5 : Left
- 1.6 : Right
- 1.7 : Top
- 1.8 : Bottom

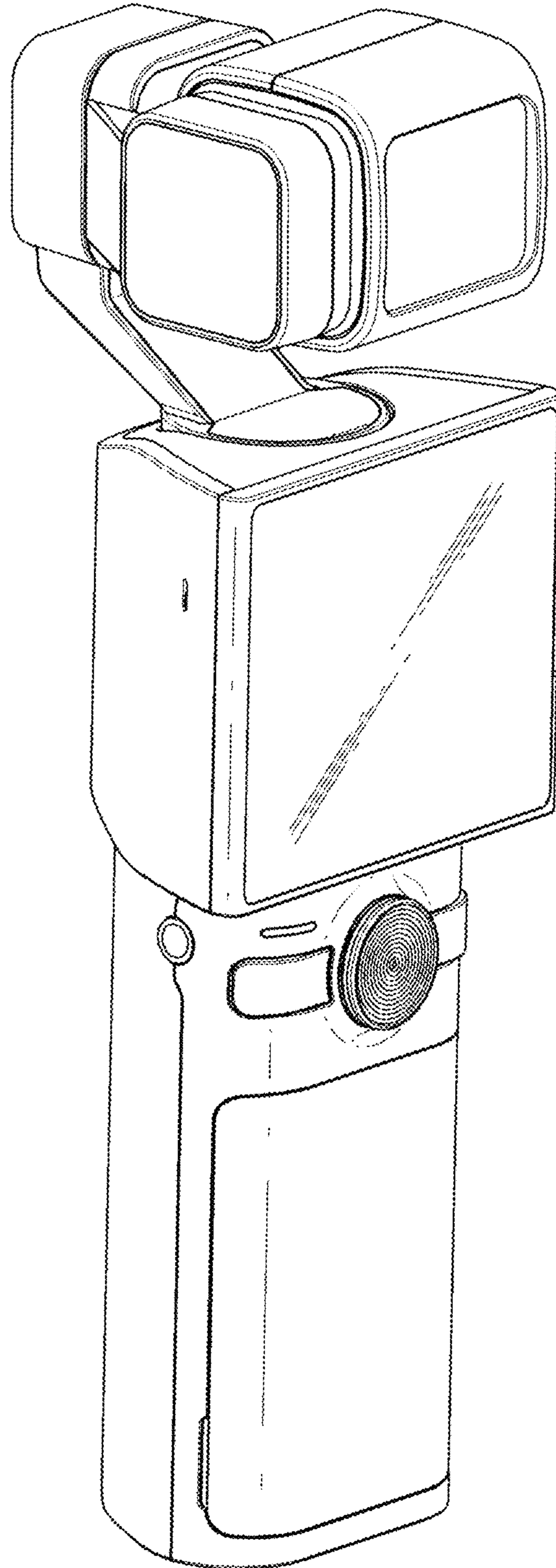
(Continued)



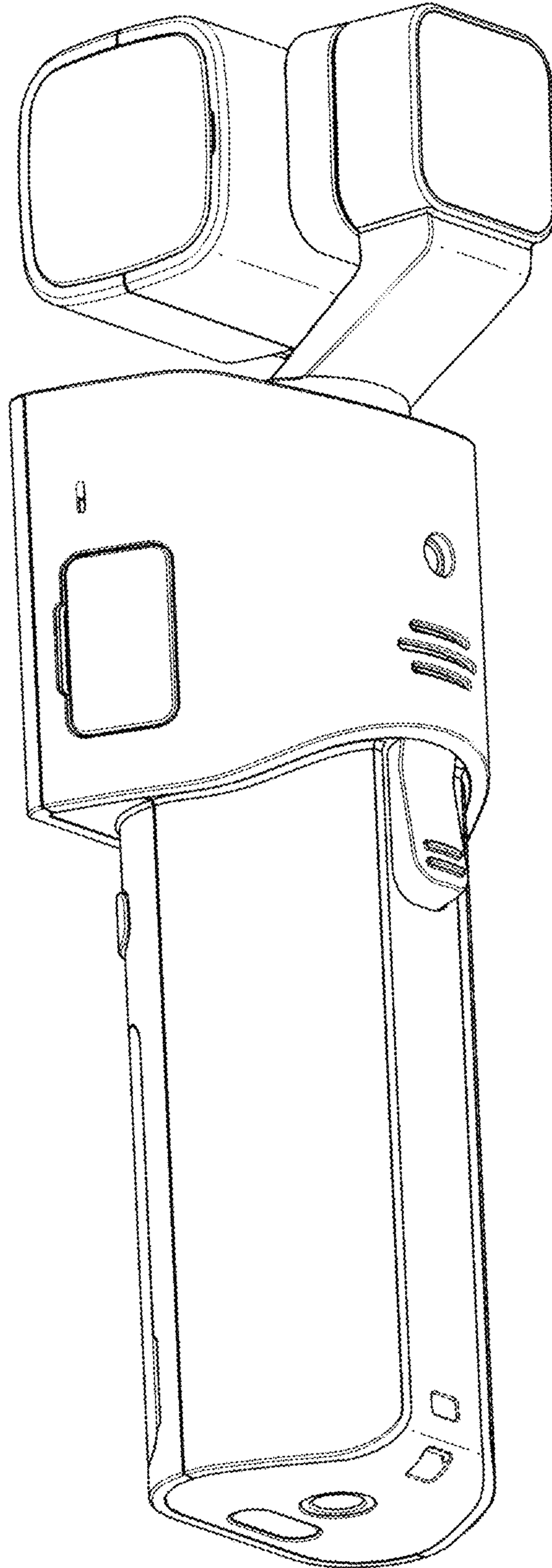
The portions of the camera with 3-axis gimbal shown in broken lines form no part of the claimed design.

1 Claim, 8 Drawing Sheets

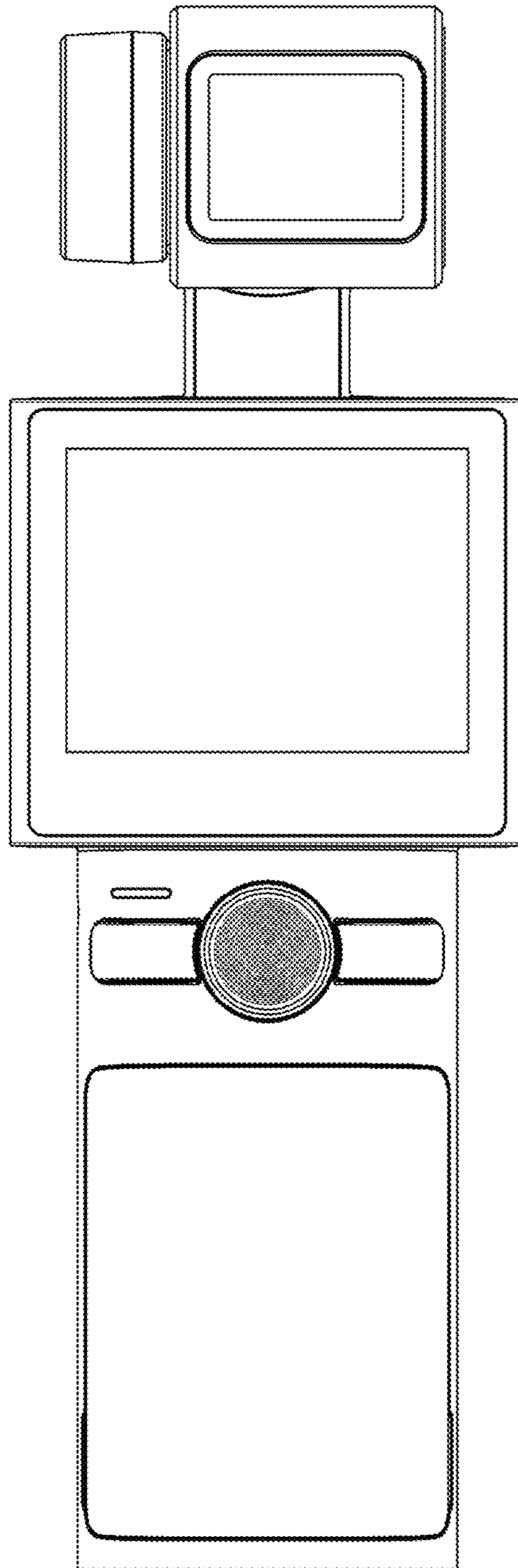
1.1



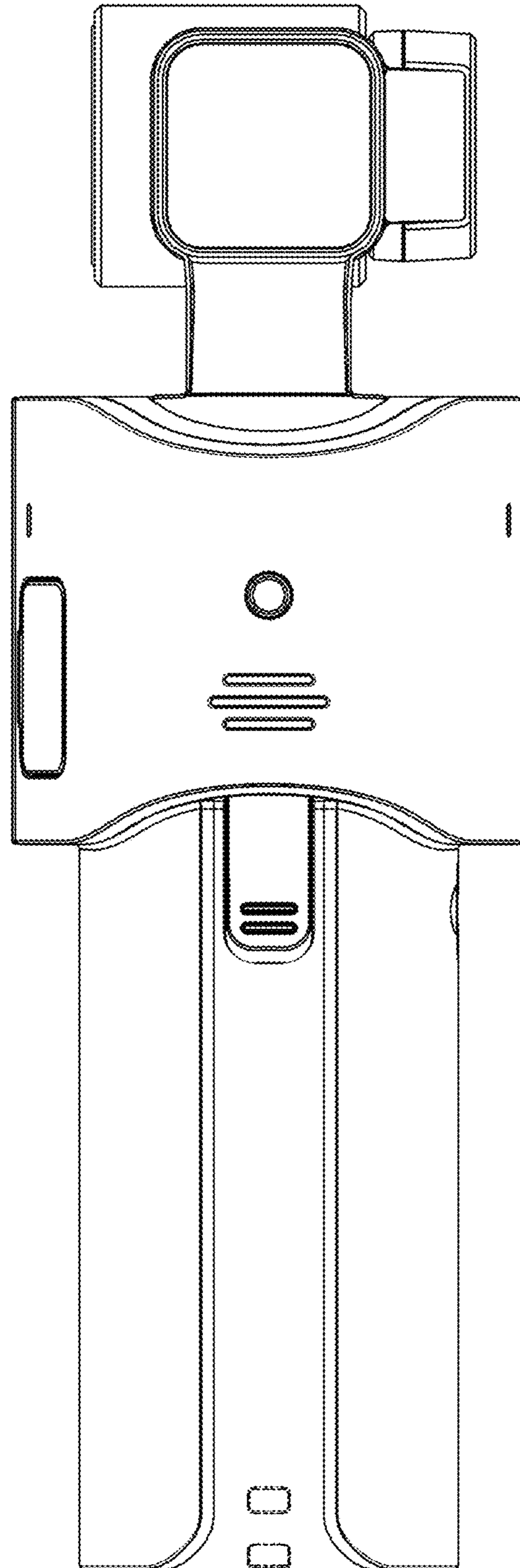
1.2



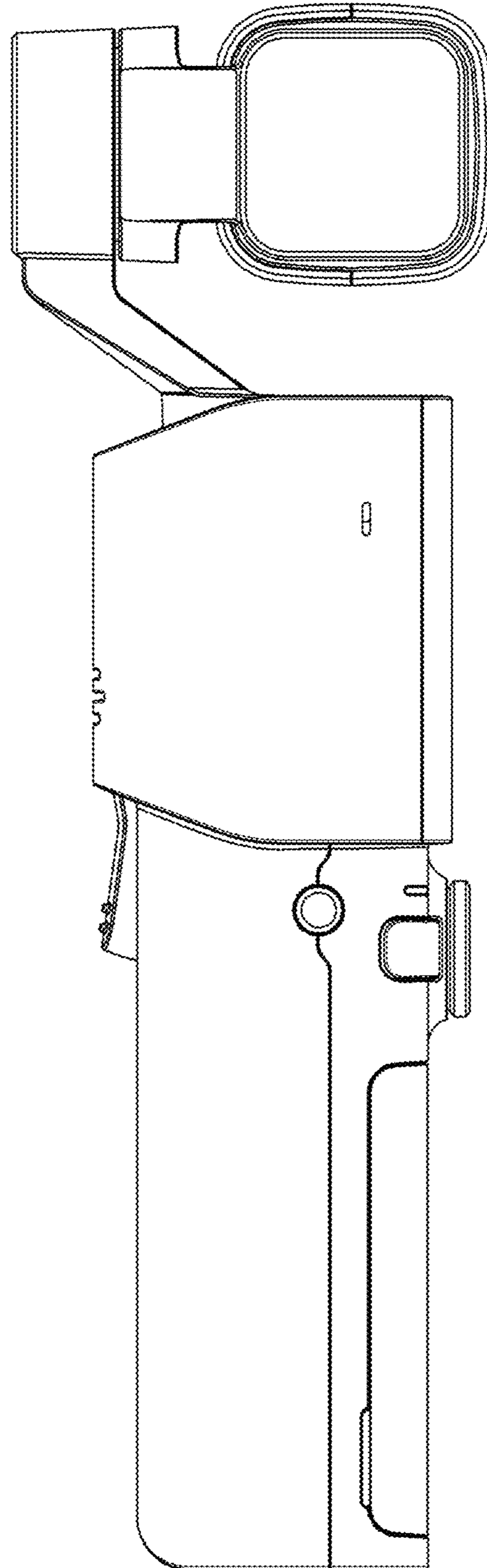
1.3



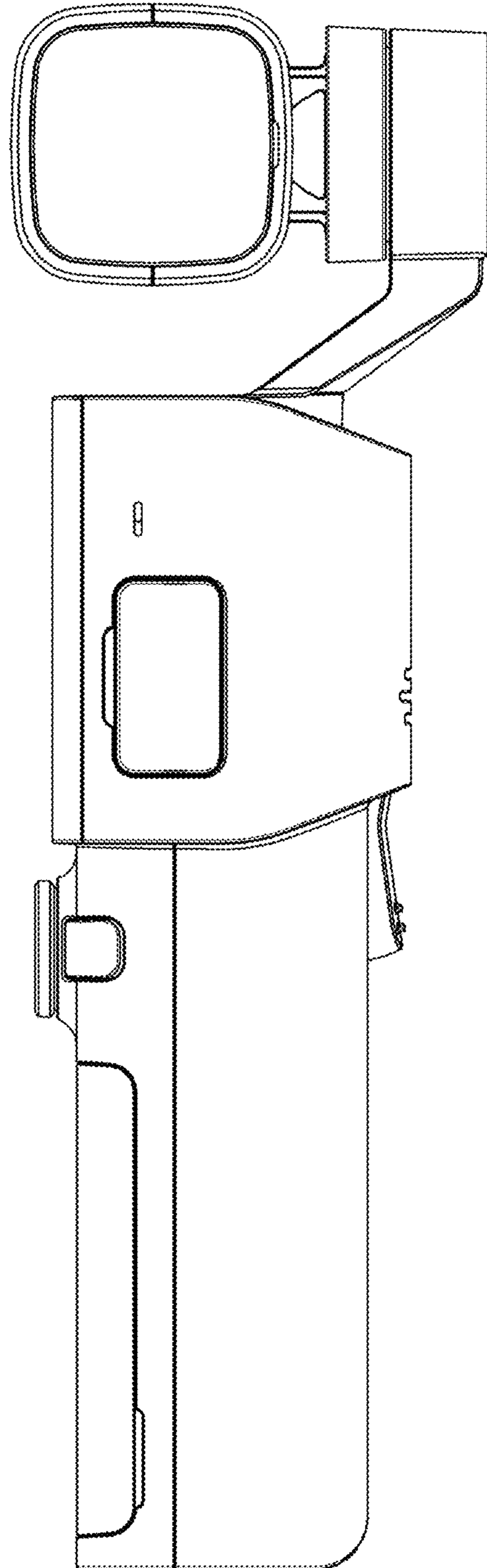
1.4



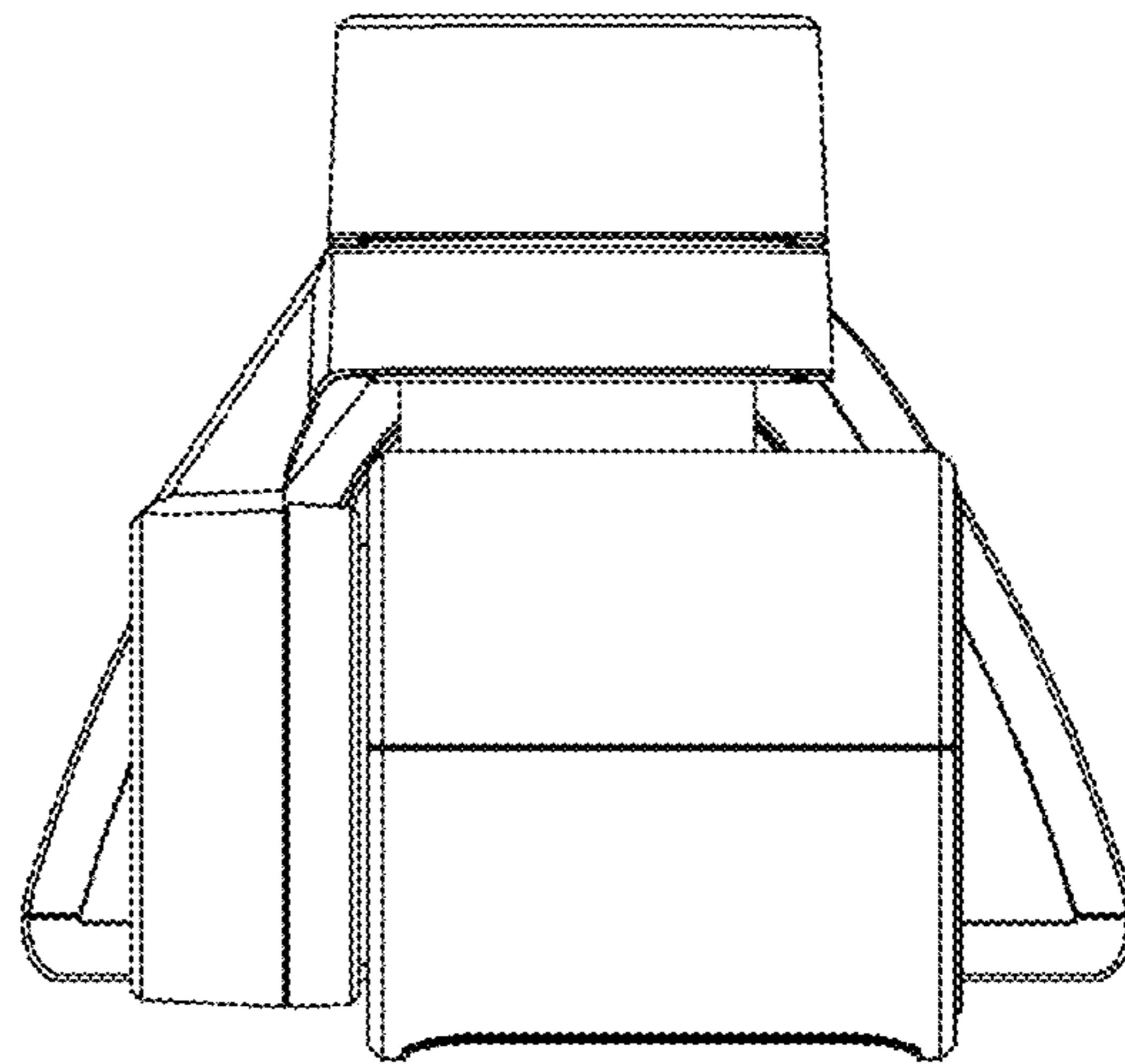
1.5



1.6



1.7



1.8

