



US00D978217S

(12) **United States Design Patent**
Xu et al.

(10) **Patent No.:** **US D978,217 S**
(45) **Date of Patent:** **** Feb. 14, 2023**

(54) **SMART CAMERA**

(71) Applicant: **TianJin HuaLai Technology Co., Ltd.**,
Tianjin (CN)

(72) Inventors: **Xiyin Xu**, Tianjin (CN); **Qinghe Meng**,
Tianjin (CN); **Kechen Ai**, Tianjin (CN);
Junbin Yang, Tianjin (CN)

(73) Assignee: **TianJin HuaLai Technology Co., Ltd.**,
TianJin (CN)

(**) Term: **15 Years**

(21) Appl. No.: **29/802,591**

(22) Filed: **Aug. 6, 2021**

(30) **Foreign Application Priority Data**

Apr. 23, 2021 (CN) 202130237745.0

(51) **LOC (14) Cl.** **16-01**

(52) **U.S. Cl.**
USPC **D16/202**

(58) **Field of Classification Search**
USPC D16/200, 202, 203, 205, 207–209, 214,
D16/217, 218, 219; D14/125, 130, 140,
D14/496, 172; D10/106.6
CPC G03B 17/00; G03B 17/02; G03B 2217/00;
H04N 5/225; H04N 5/2251; H04N
5/2252

See application file for complete search history.

(56) **References Cited**

U.S. PATENT DOCUMENTS

D585,925 S * 2/2009 Kuo D16/202
D721,754 S * 1/2015 Chen D16/202
8,992,102 B1 * 3/2015 Samuels G03B 17/02
396/419

D727,387 S * 4/2015 Hasegawa D16/203
D728,657 S * 5/2015 Yamashita D16/218
D730,423 S * 5/2015 Vandebussche D16/218
D742,953 S * 11/2015 Li D16/202
D773,547 S * 12/2016 Lee D16/218

(Continued)

OTHER PUBLICATIONS

“Petcube,” first available Nov. 20, 2020, retrieved Oct. 27, 2022
from https://www.amazon.com/dp/B08NXL4MN4/ref=twister_B09VC5PRKN?_encoding=UTF8&th=1 (Year: 2020).*

(Continued)

Primary Examiner — Maria J. Edwards

Assistant Examiner — Dina Michelle Hoeynck

(74) *Attorney, Agent, or Firm* — True Shepherd LLC;
Andrew C. Cheng

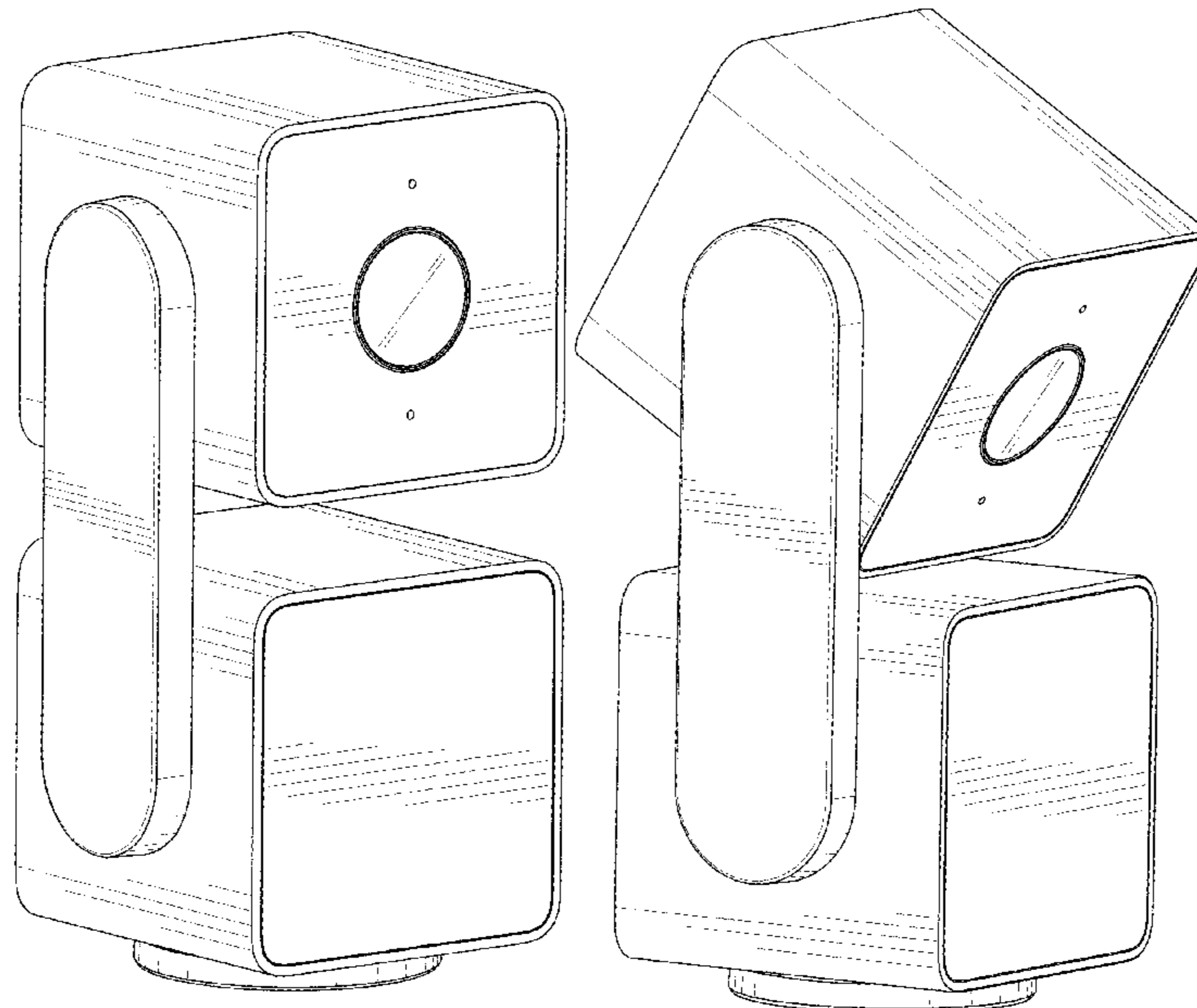
(57) **CLAIM**

The ornamental design for a smart camera, as shown and
described.

DESCRIPTION

FIG. 1 is a front, top, left side perspective view of a smart
camera showing my new design;
FIG. 2 is rear, bottom, right side perspective view thereof;
FIG. 3 is a front view thereof;
FIG. 4 is a rear view thereof;
FIG. 5 is a left side view thereof;
FIG. 6 is a right side view thereof;
FIG. 7 is a top plan view thereof;
FIG. 8 is a bottom plan view thereof;
FIG. 9 is a perspective view thereof in a first use state;
FIG. 10 is a perspective view thereof in a second use state;
FIG. 11 is a perspective view thereof in a third use state; and,
FIG. 12 is a perspective view thereof in a fourth use state.
The broken lines depict portions of the smart camera and
form no part of the claimed design.

1 Claim, 12 Drawing Sheets



(56)

References Cited

U.S. PATENT DOCUMENTS

D858,604 S *	9/2019	Clement	D16/203
D905,780 S *	12/2020	Zhu	D16/202
D909,451 S *	2/2021	Hamlin	D16/208
D917,598 S *	4/2021	Ye	D16/203
D967,227 S *	10/2022	Sun	D16/202
2012/0039060 A1 *	2/2012	Kim	H05K 1/0215 361/816

OTHER PUBLICATIONS

“Wyze Cam,” first available Jul. 27, 2018, retrieved Oct. 27, 2022 from <https://www.amazon.com/Wyze-Indoor-Wireless-Camera-Vision/dp/B07G2YR23M?th=1> (Year: 2018).*

* cited by examiner

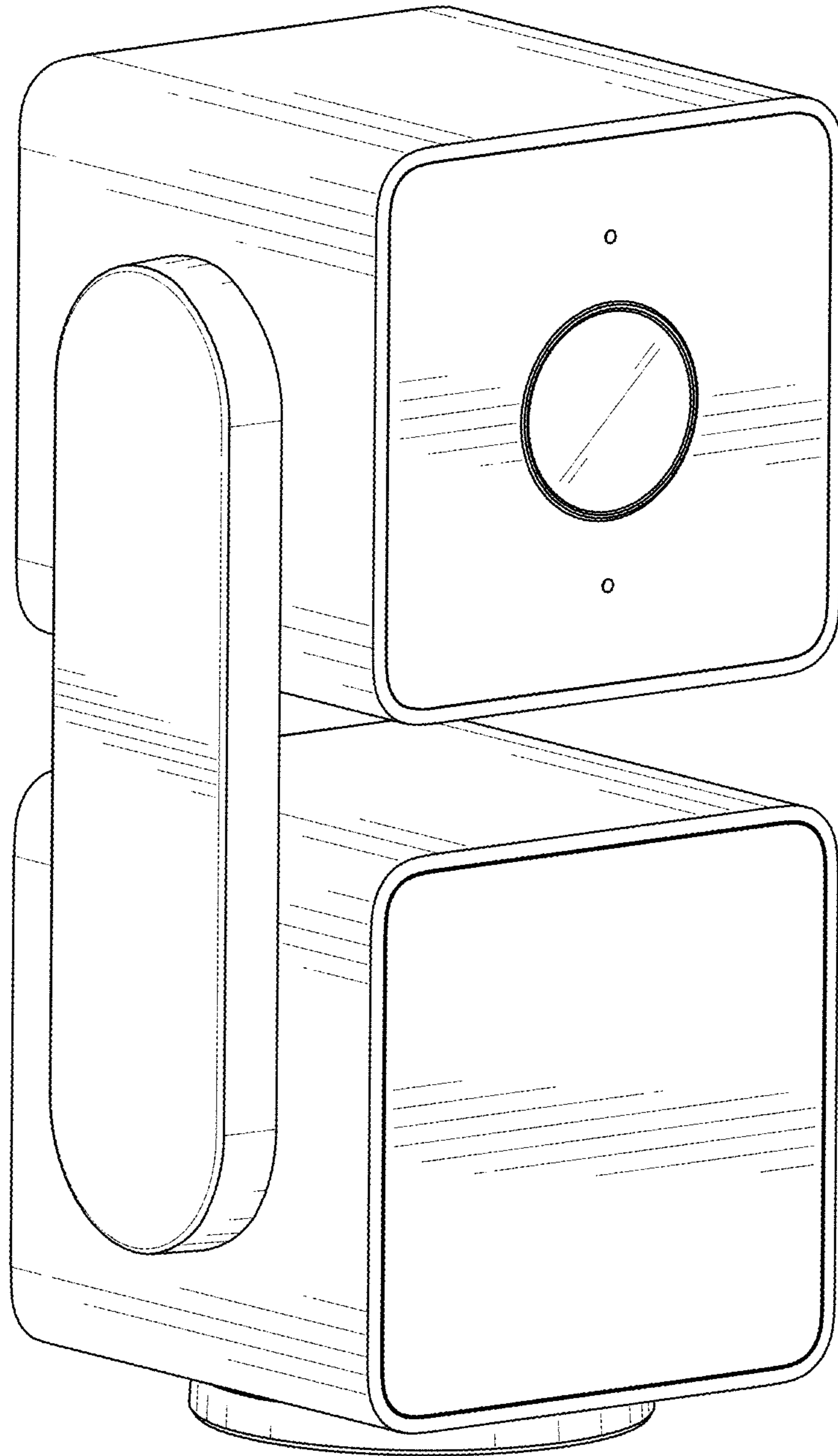


FIG. 1

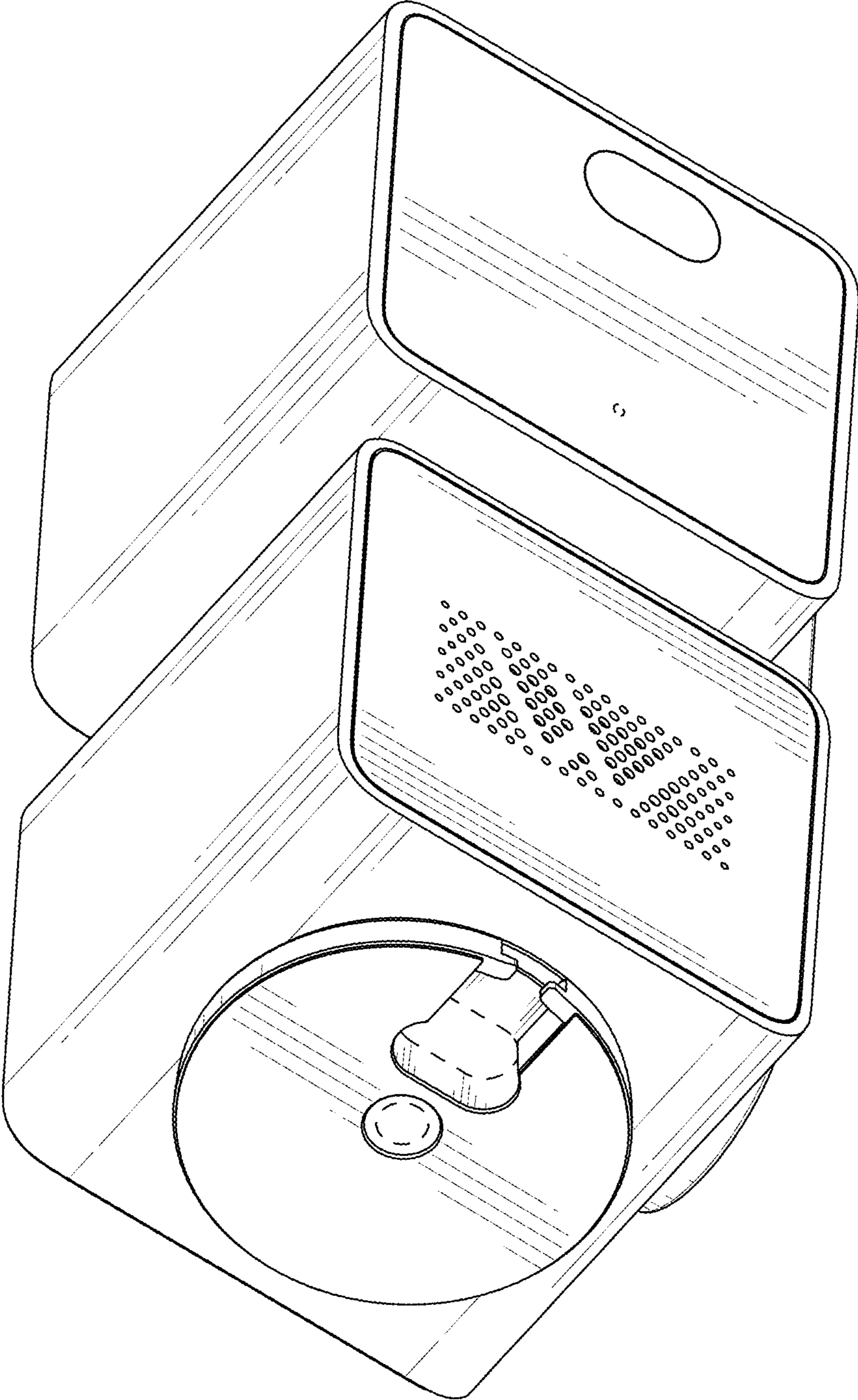


FIG. 2

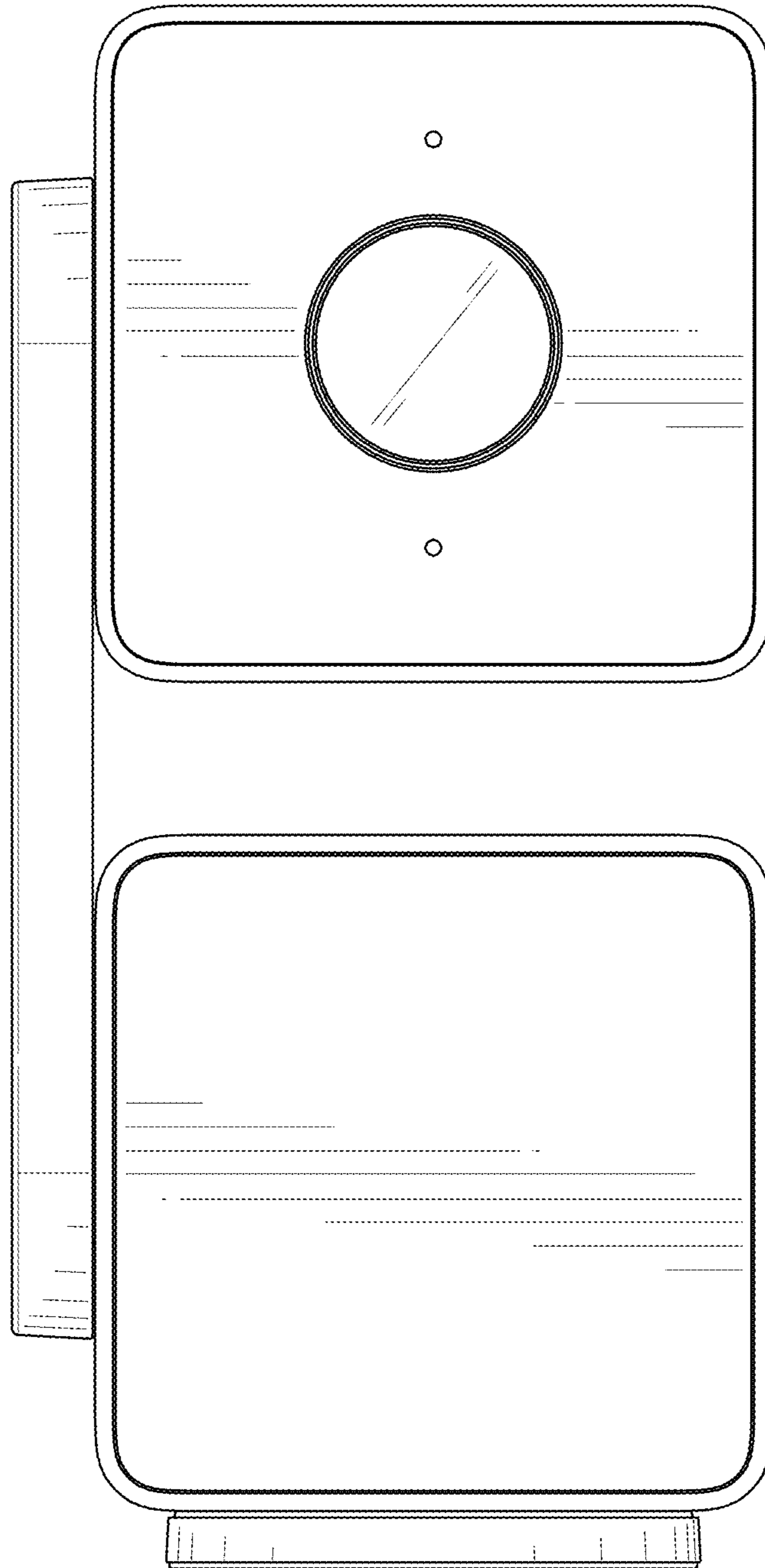


FIG. 3

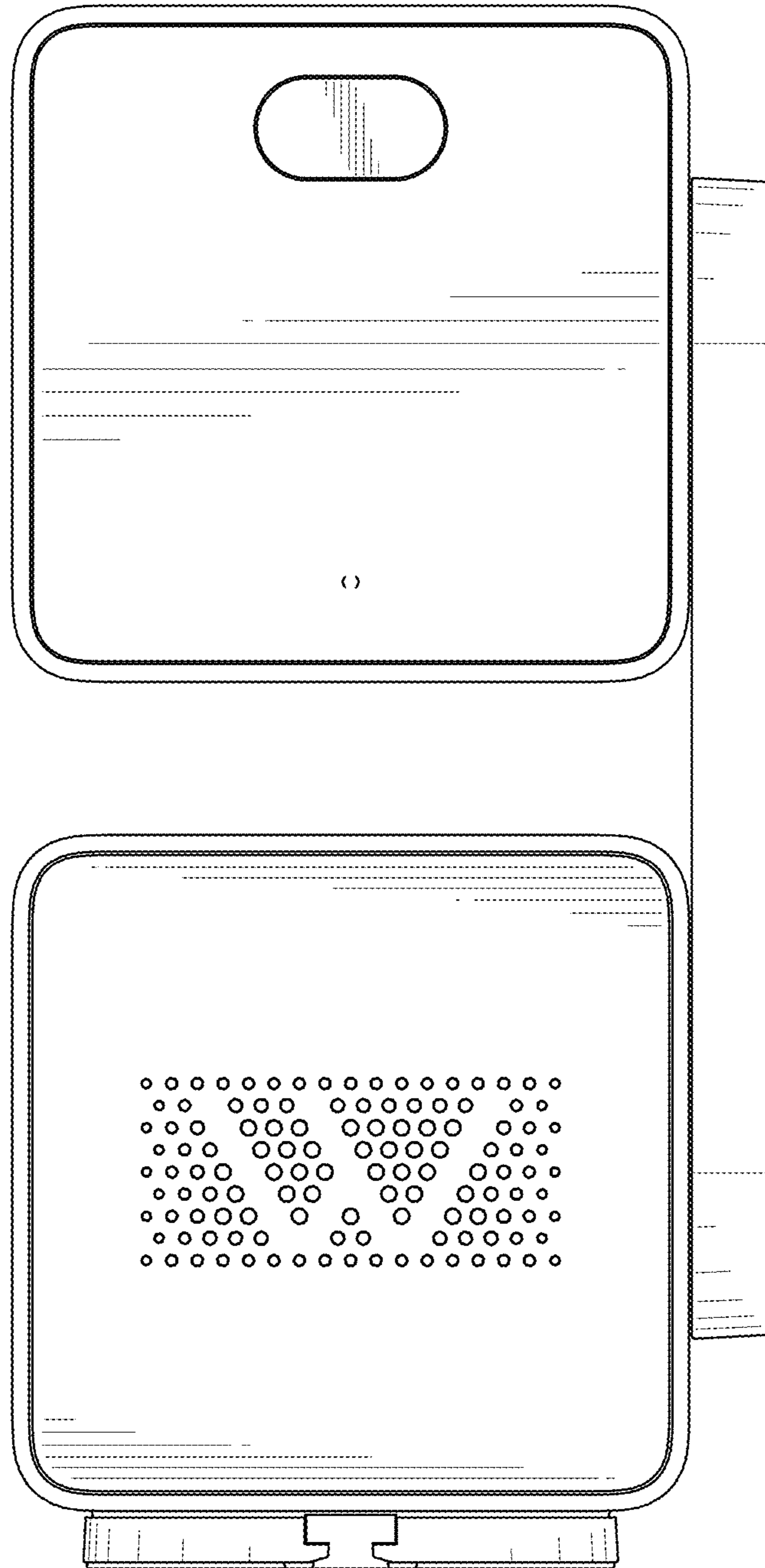


FIG. 4

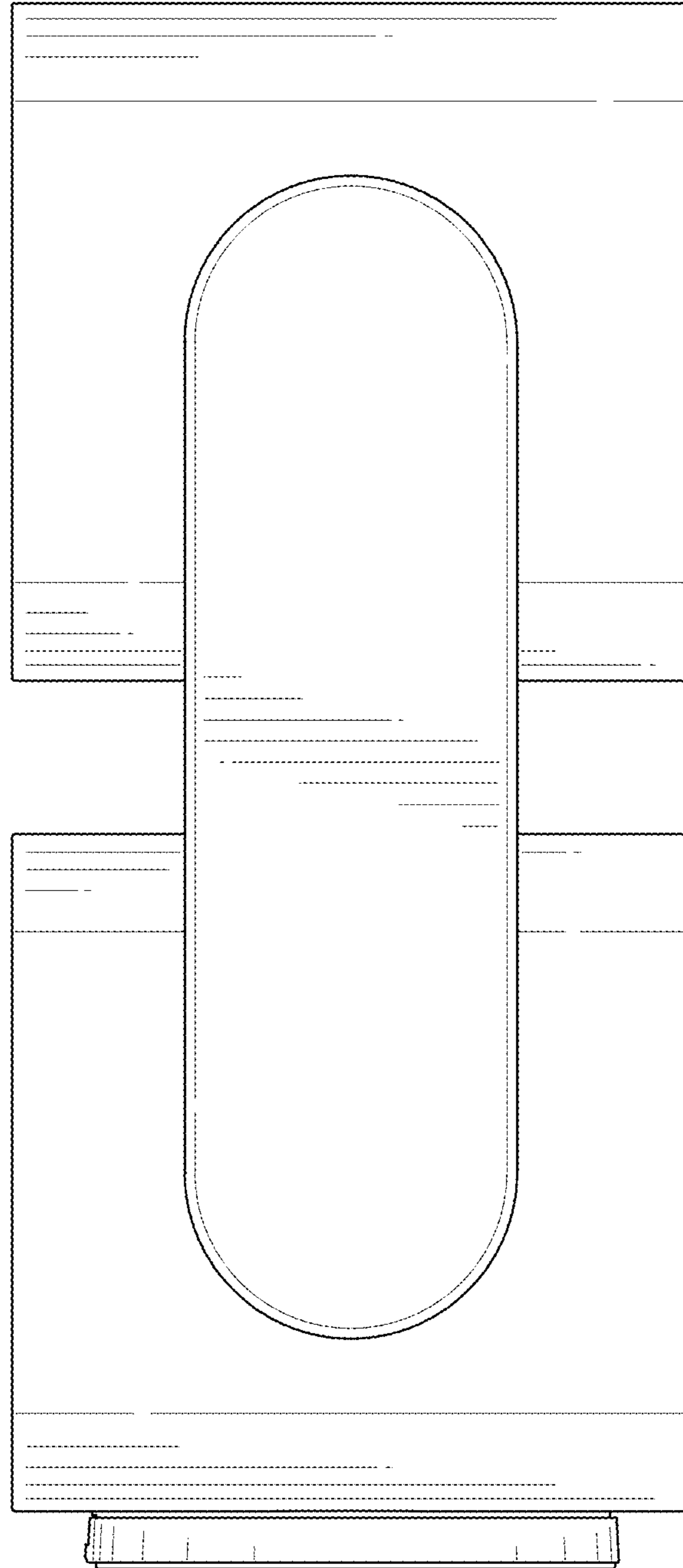


FIG. 5

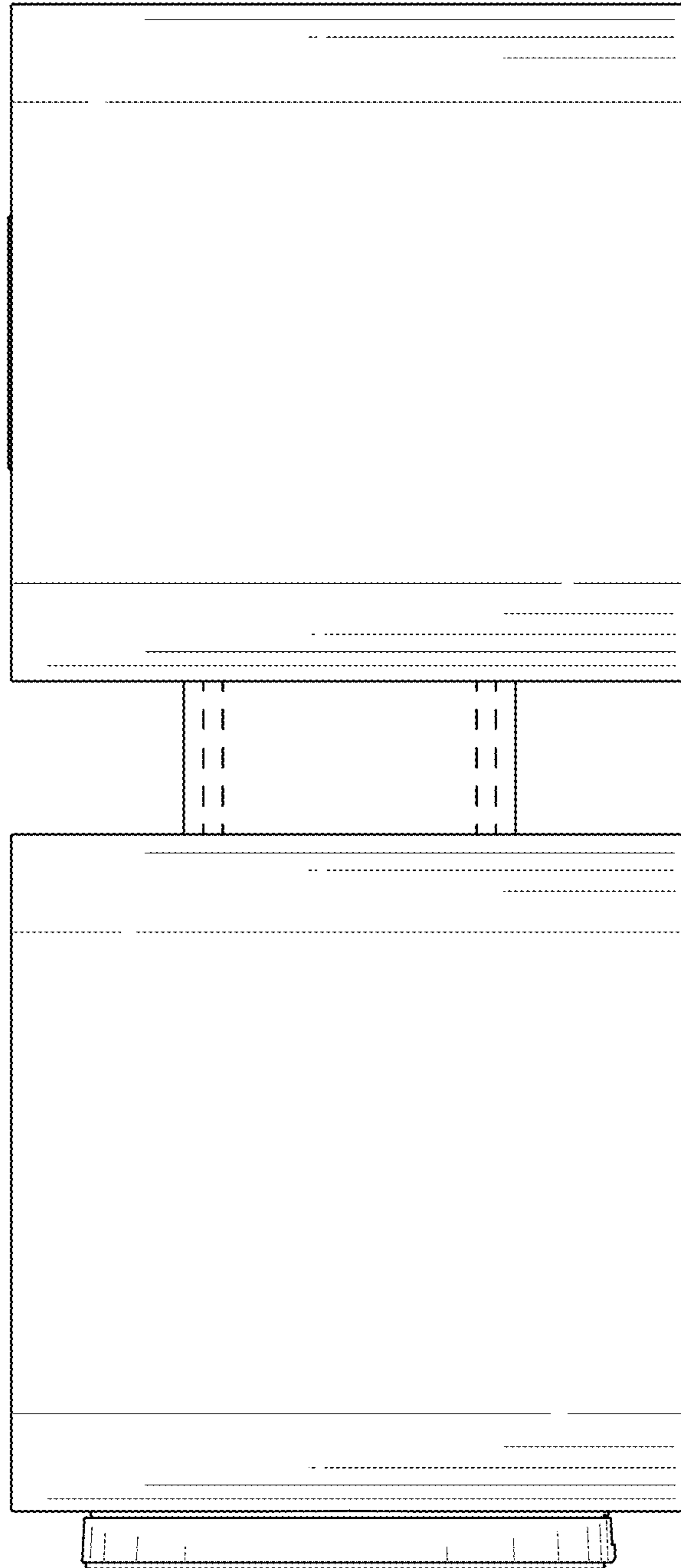


FIG. 6

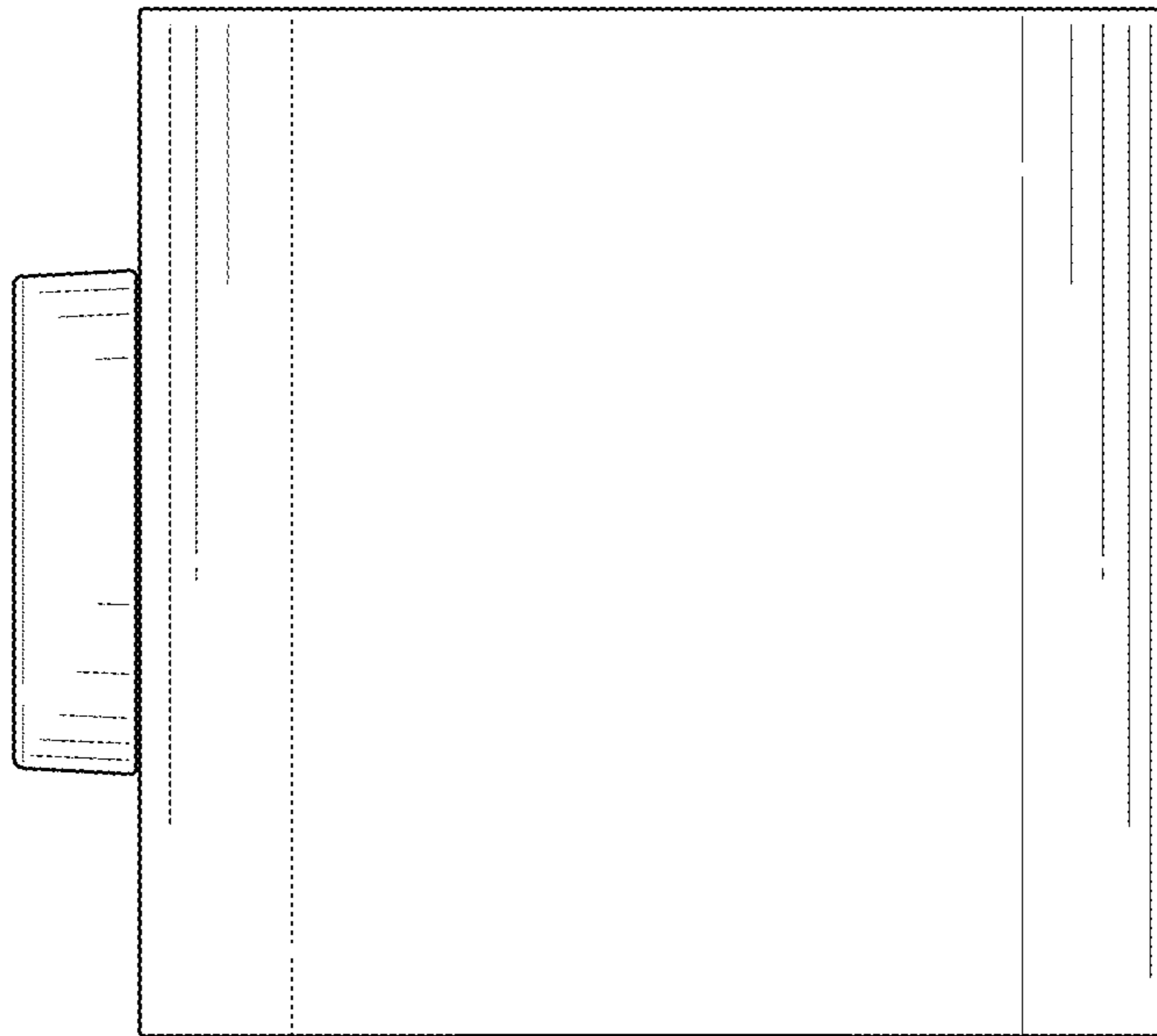


FIG. 7

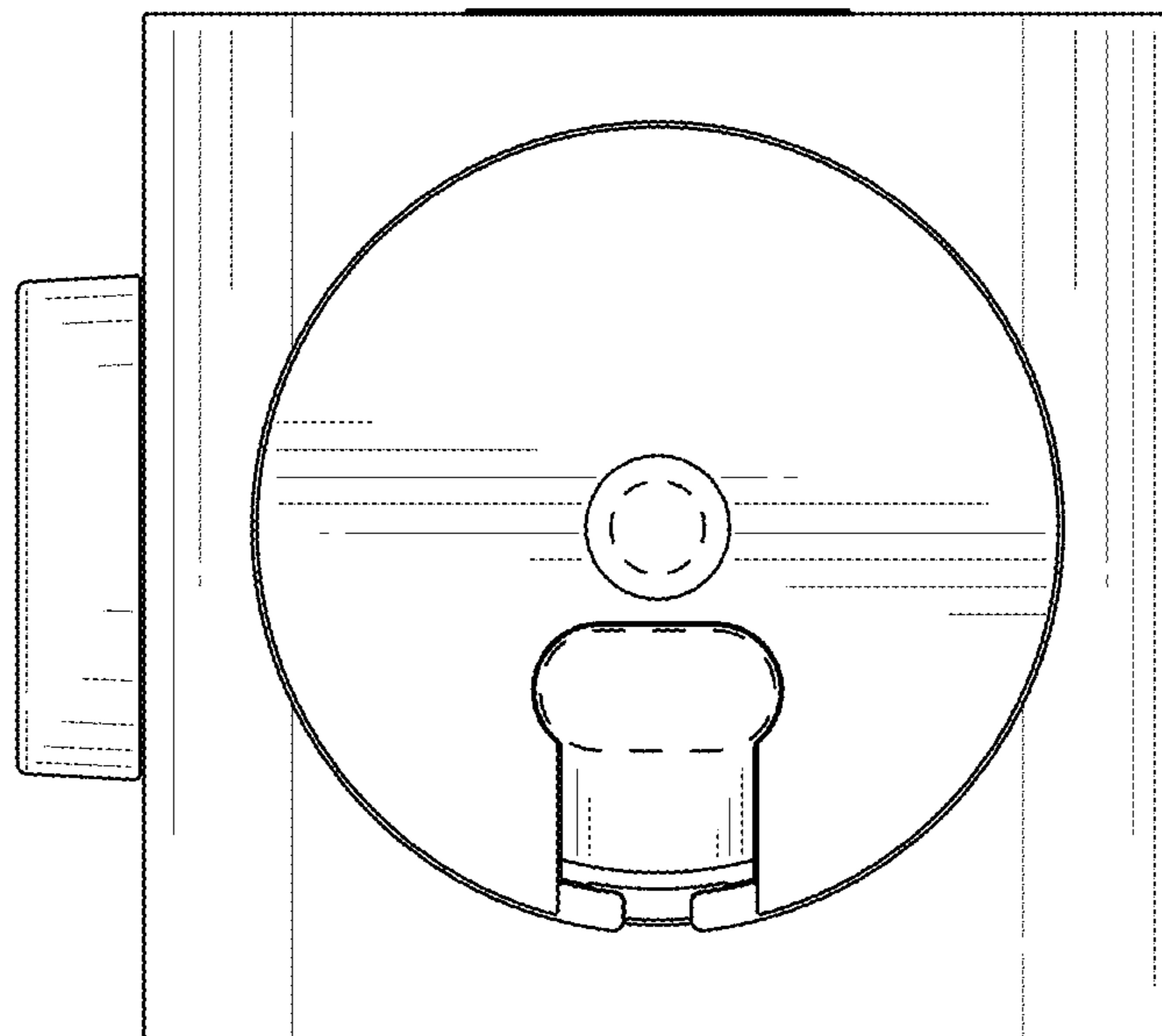


FIG. 8

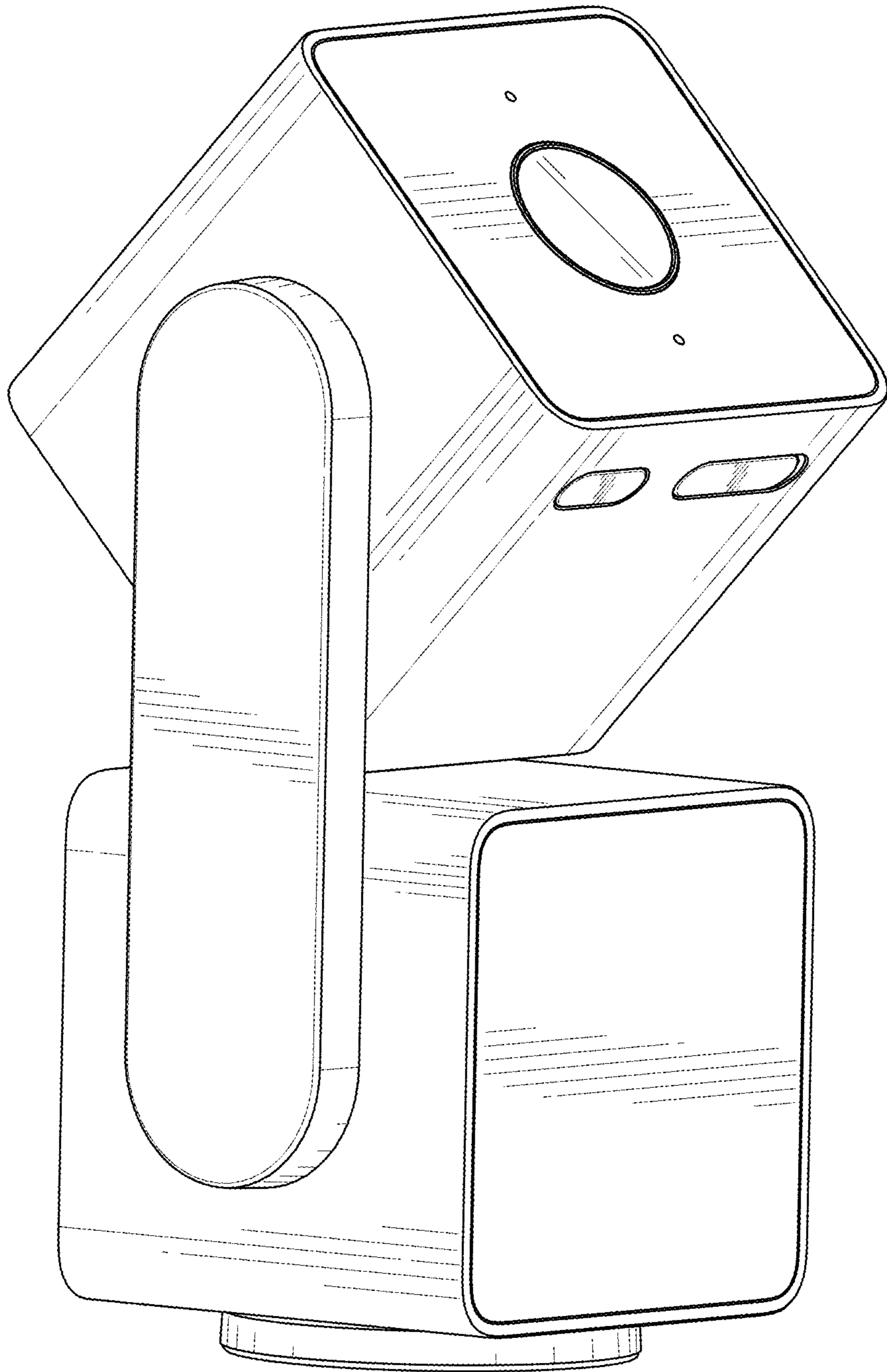


FIG. 9

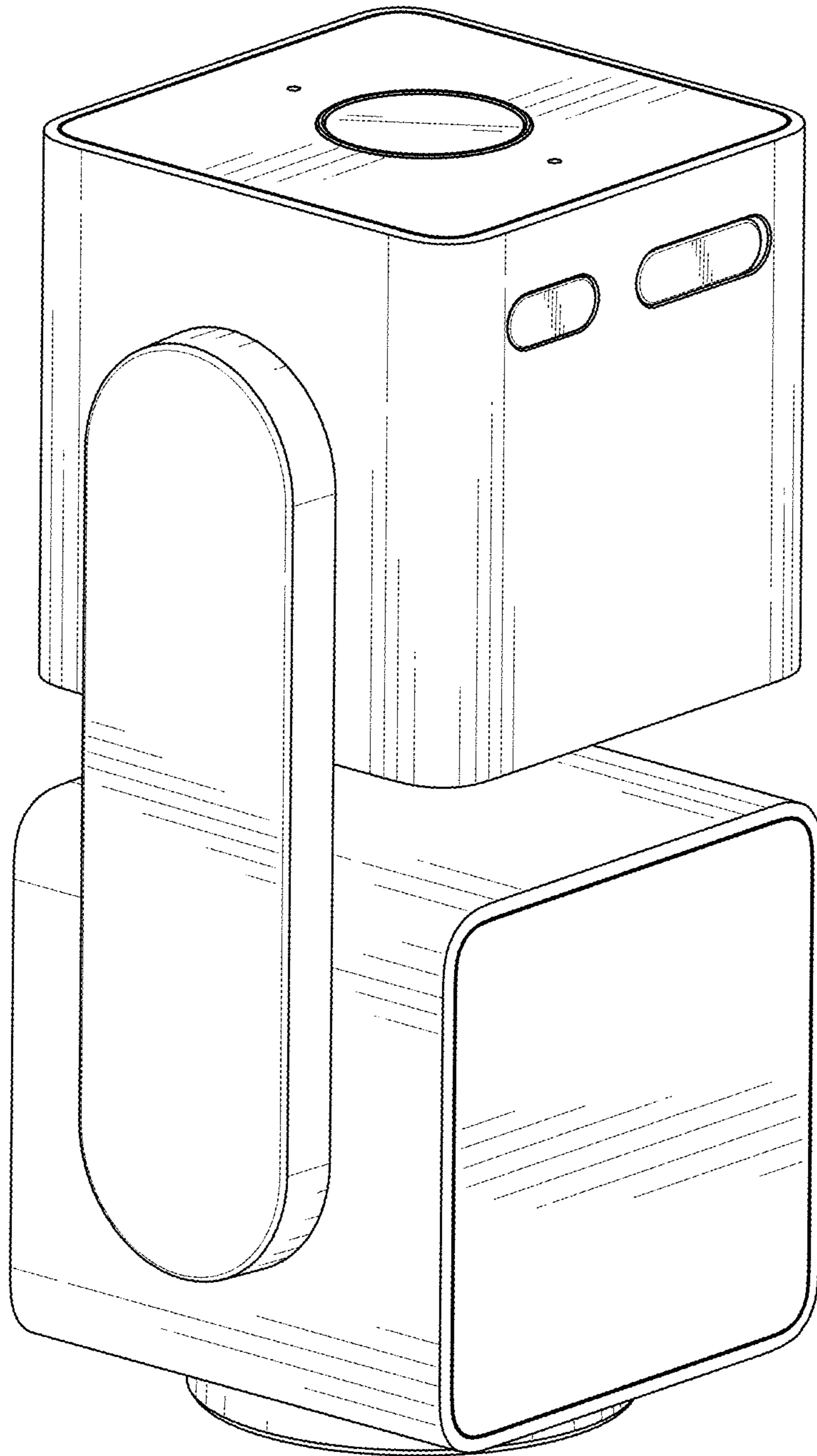


FIG. 10

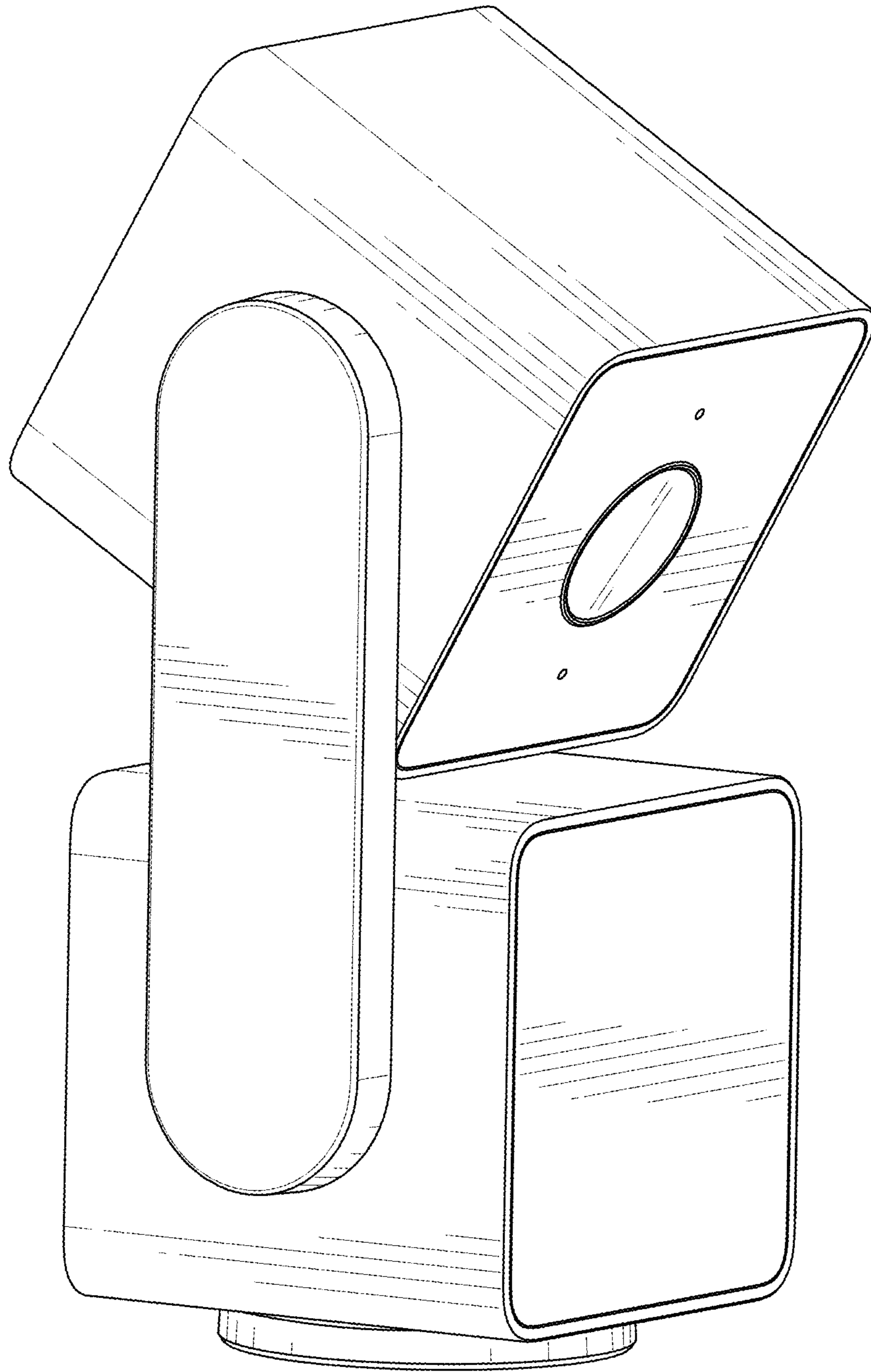


FIG. 11

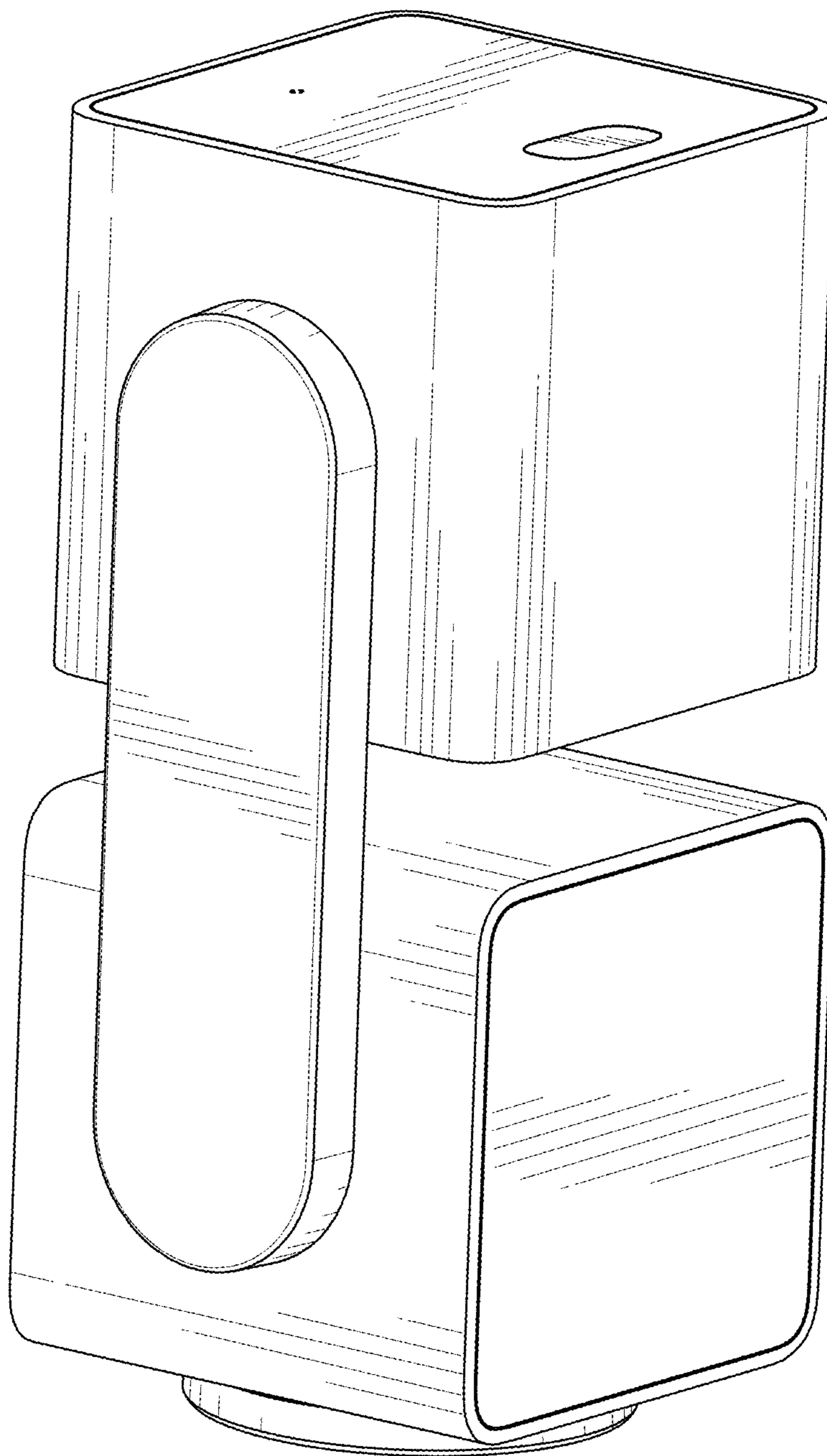


FIG. 12