



US00D978216S

(12) **United States Design Patent** (10) **Patent No.:** **US D978,216 S**  
**Chen** (45) **Date of Patent:** **\*\* Feb. 14, 2023**

(54) **WEBCAM**

(71) Applicant: **Shenzhen eMeet Technology Co., Ltd.**,  
Shenzhen (CN)

(72) Inventor: **Wenming Chen**, Shenzhen (CN)

(73) Assignee: **Shenzhen eMeet Technology Co., Ltd.**,  
Shenzhen (CN)

(\*\*) Term: **15 Years**

(21) Appl. No.: **29/802,283**

(22) Filed: **Aug. 4, 2021**

(51) **LOC (14) Cl.** ..... **16-01**

(52) **U.S. Cl.**  
USPC ..... **D16/202**

(58) **Field of Classification Search**  
USPC ..... D16/200, 202, 203, 205, 207–209, 214,  
D16/217, 218, 219; D14/125, 130, 140,  
D14/496, 172; D10/106.6  
CPC .... G03B 17/00; G03B 17/02; G03B 2217/00;  
H04N 5/225; H04N 5/2251; H04N  
5/2252  
See application file for complete search history.

(56) **References Cited**

**U.S. PATENT DOCUMENTS**

|              |         |            |       |         |
|--------------|---------|------------|-------|---------|
| D654,942 S * | 2/2012  | Khamsepoor | ..... | D16/202 |
| D750,681 S * | 3/2016  | Takami     | ..... | D16/202 |
| D775,679 S * | 1/2017  | Klein      | ..... | D16/202 |
| D849,086 S * | 5/2019  | Russo      | ..... | D16/202 |
| D849,089 S * | 5/2019  | Lu         | ..... | D16/202 |
| D901,570 S * | 11/2020 | Hao        | ..... | D16/202 |
| D907,091 S * | 1/2021  | Lv         | ..... | D16/202 |

(Continued)

**FOREIGN PATENT DOCUMENTS**

|    |                |   |        |
|----|----------------|---|--------|
| EM | 007984299-0003 | * | 6/2020 |
| JP | D1719776       | * | 7/2022 |

**OTHER PUBLICATIONS**

“EMEET C970,” first available on Dec. 20, 2021, retrieved Oct. 21, 2022 from <https://www.amazon.com/Microphone-Streaming-Reduction-Mics-Software-75%C2%B0FOV%E2%8C%9C%8CAutofocus/dp/B09KGV28DF?> (Year: 2021).\*

(Continued)

*Primary Examiner* — Maria J. Edwards

*Assistant Examiner* — Dina Michelle Hoeynck

(74) *Attorney, Agent, or Firm* — Westbridge IP LLC

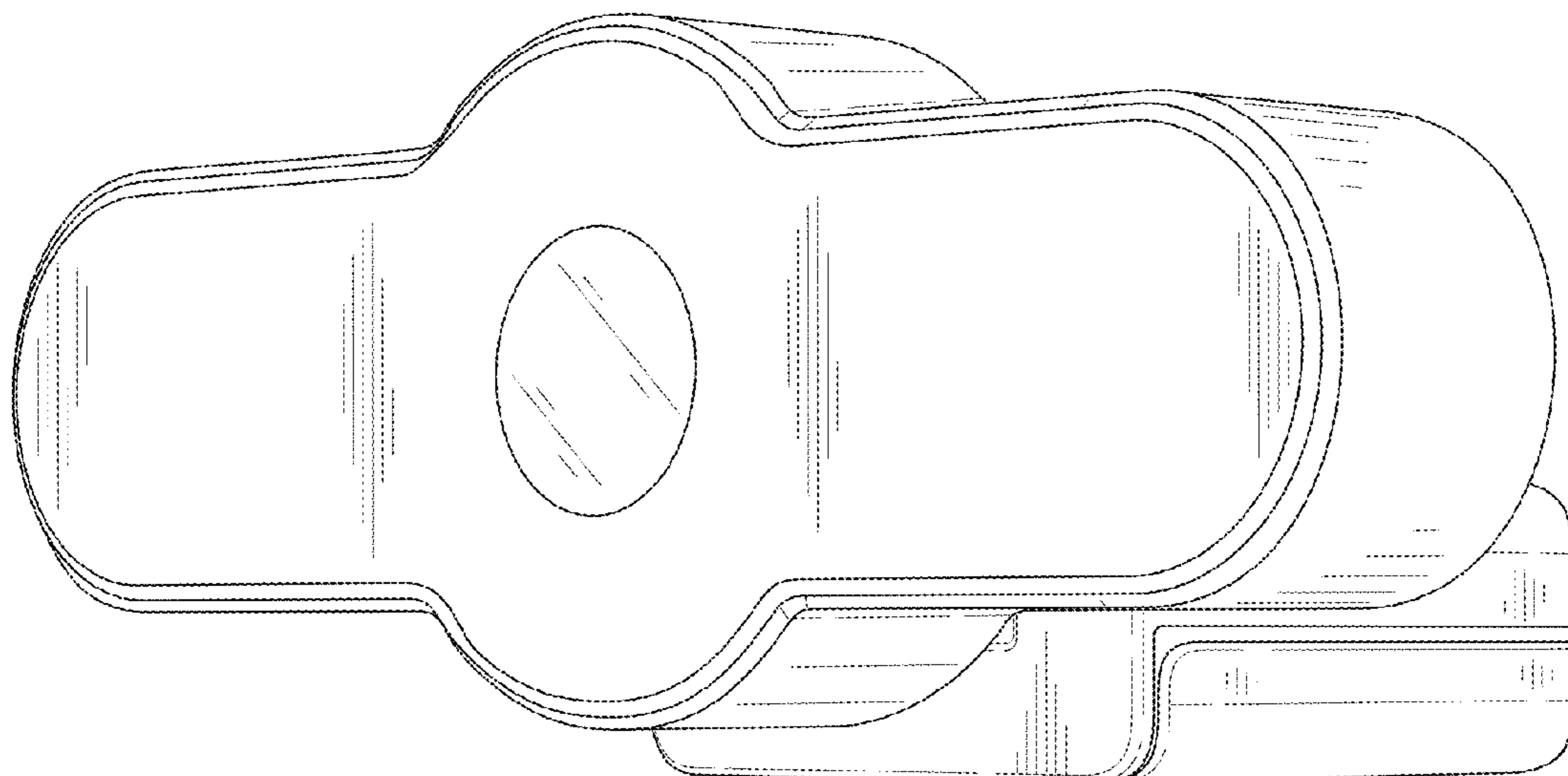
(57) **CLAIM**

The ornamental design for a webcam, as shown and described.

**DESCRIPTION**

FIG. 1 is a front perspective view of a webcam showing my new design;  
FIG. 2 is a front elevation view thereof;  
FIG. 3 is a rear elevation view thereof;  
FIG. 4 is a left side elevation view thereof;  
FIG. 5 is a right side elevation view thereof;  
FIG. 6 is a top plan view thereof;  
FIG. 7 is a bottom plan view thereof;  
FIG. 8 is a front perspective view of an alternative state thereof;  
FIG. 9 is a front elevation view of the alternative state thereof;  
FIG. 10 is a rear elevation view of the alternative state thereof;  
FIG. 11 is a left side elevation view of the alternative state thereof;  
FIG. 12 is a right side elevation view of the alternative state thereof;  
FIG. 13 is a top plan view of the alternative state thereof;  
and,  
FIG. 14 is a bottom plan view of the alternative state thereof.  
The broken lines in the drawings illustrate the portions of the webcam which form no part of the claimed design.

**1 Claim, 14 Drawing Sheets**



(56)

**References Cited**

U.S. PATENT DOCUMENTS

|          |   |   |        |          |       |         |
|----------|---|---|--------|----------|-------|---------|
| D910,730 | S | * | 2/2021 | Hao      | ..... | D16/202 |
| D912,717 | S | * | 3/2021 | Russo    | ..... | D16/202 |
| D924,299 | S | * | 7/2021 | Gartrell | ..... | D16/202 |
| D930,730 | S | * | 9/2021 | Zeng     | ..... | D16/208 |
| D951,323 | S | * | 5/2022 | Wu       | ..... | D16/202 |
| D952,015 | S | * | 5/2022 | Wu       | ..... | D16/202 |
| D960,953 | S | * | 8/2022 | Chen     | ..... | D16/202 |

OTHER PUBLICATIONS

“Logitech MeetUp,” first available May 23, 2017, retrieved Oct. 21, 2022 from <https://www.amazon.com/Logitech-MeetUp-Expansion-Conferencing-Meeting/dp/B072Q88NZC/> (Year: 2017).\*

\* cited by examiner

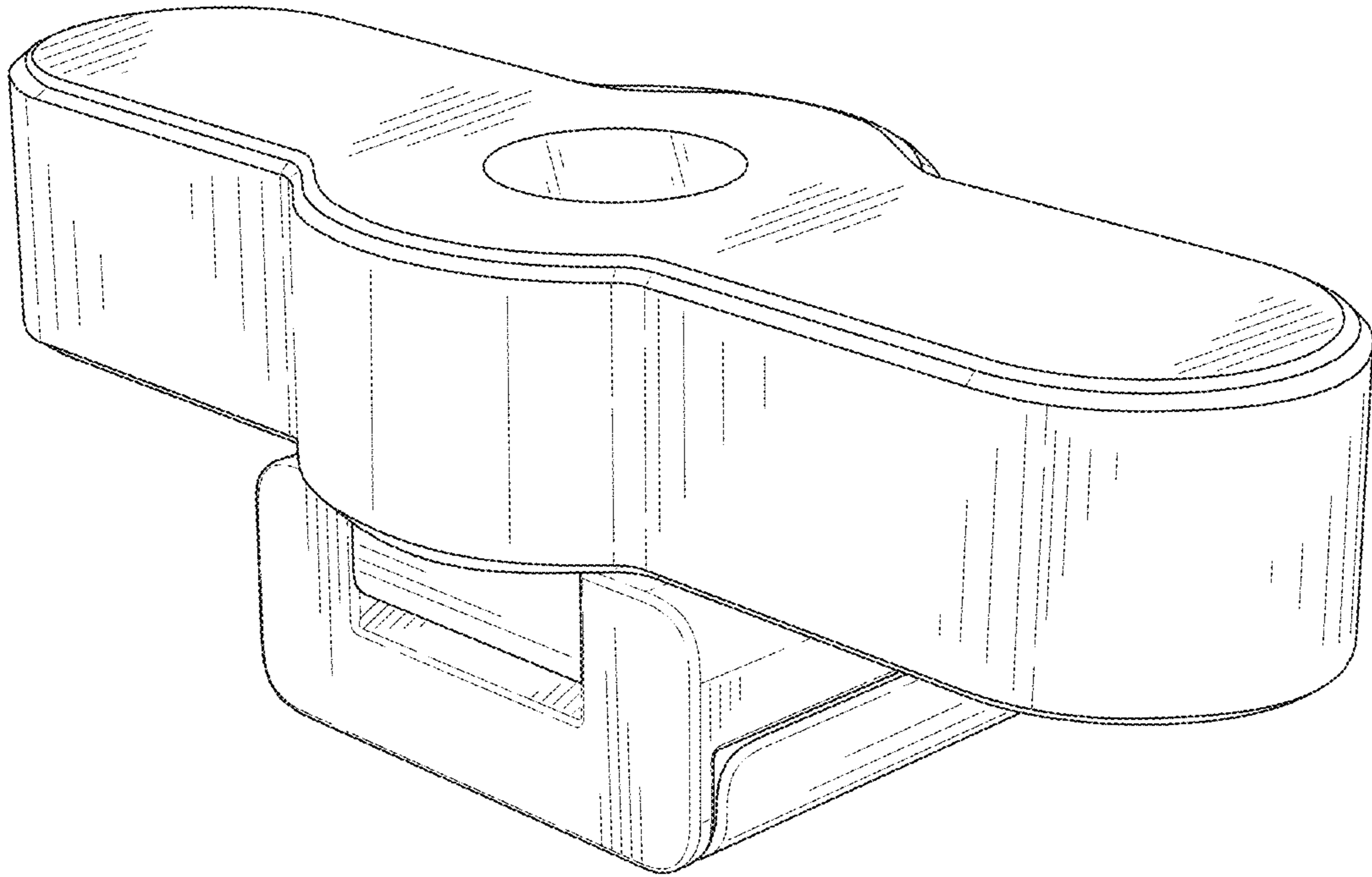


FIG. 1

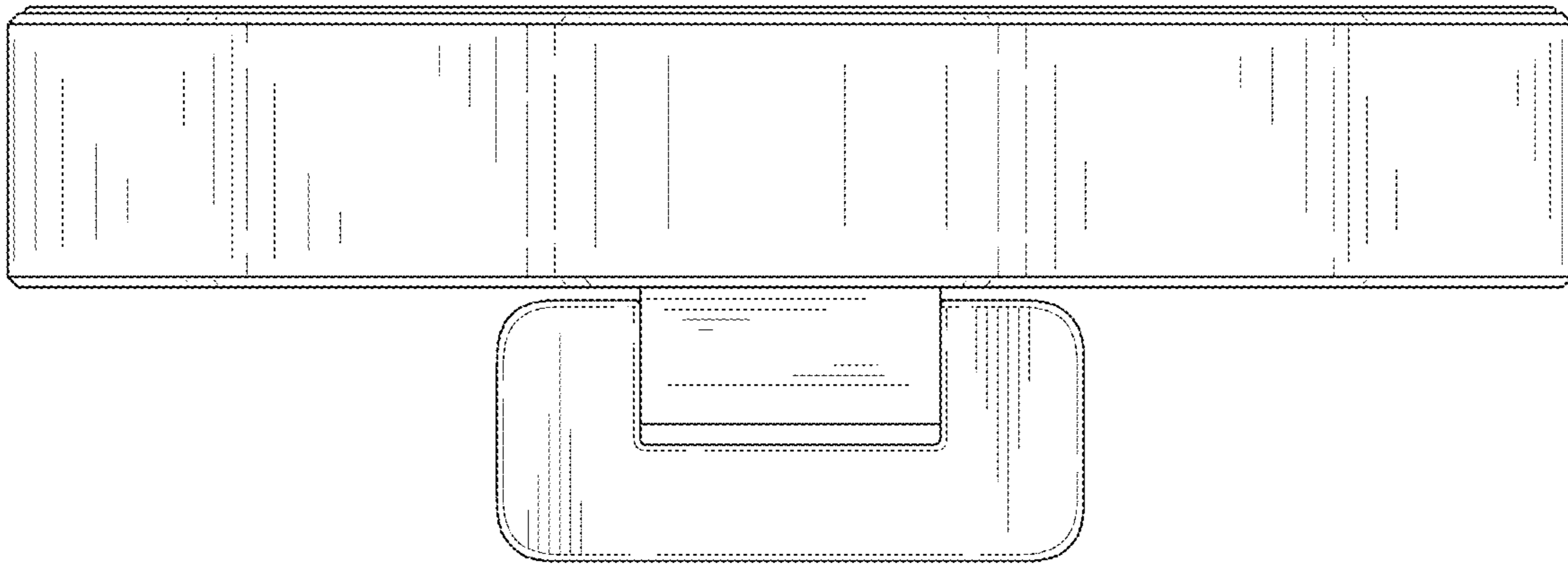


FIG. 2

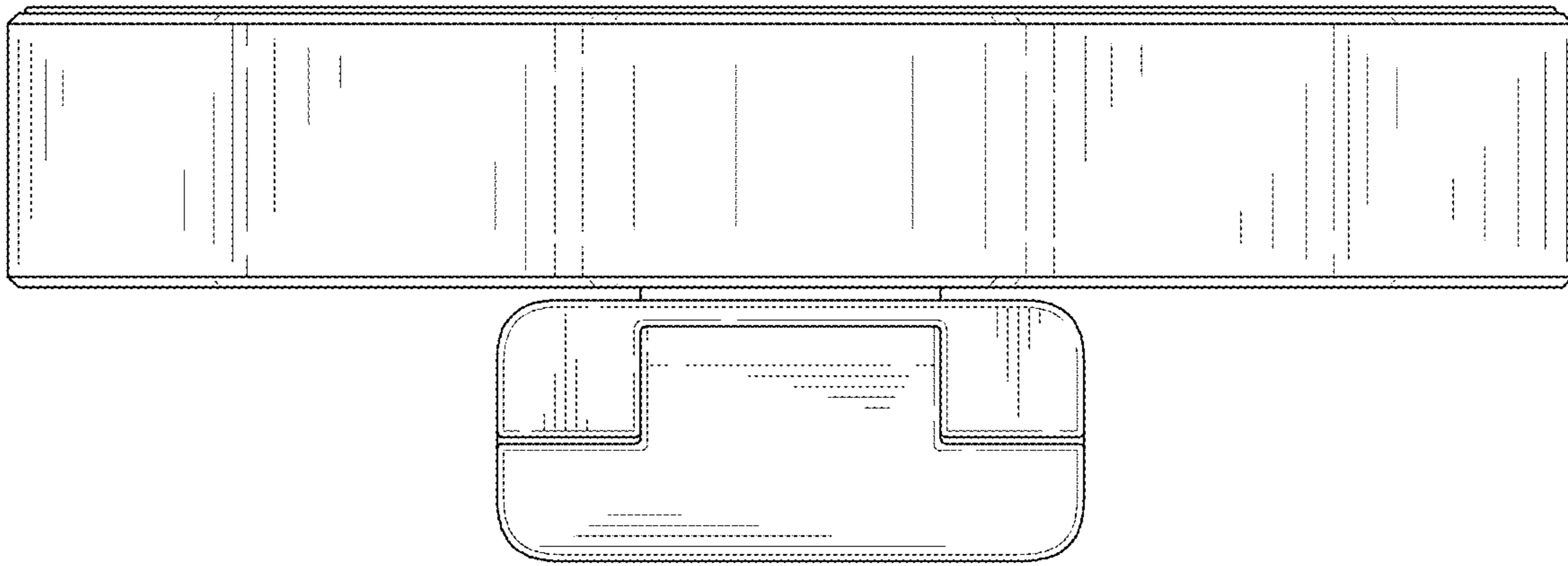


FIG. 3

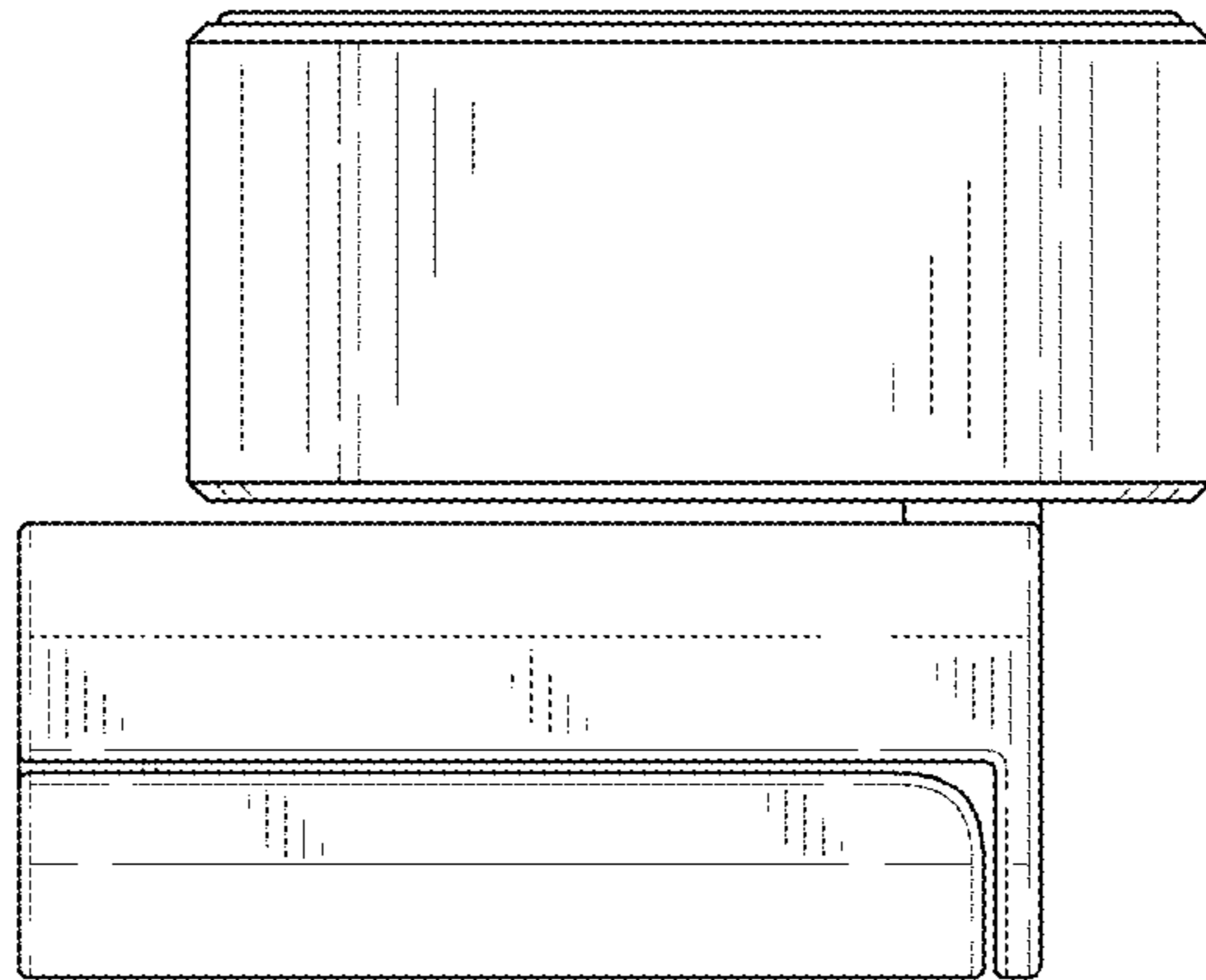


FIG. 4

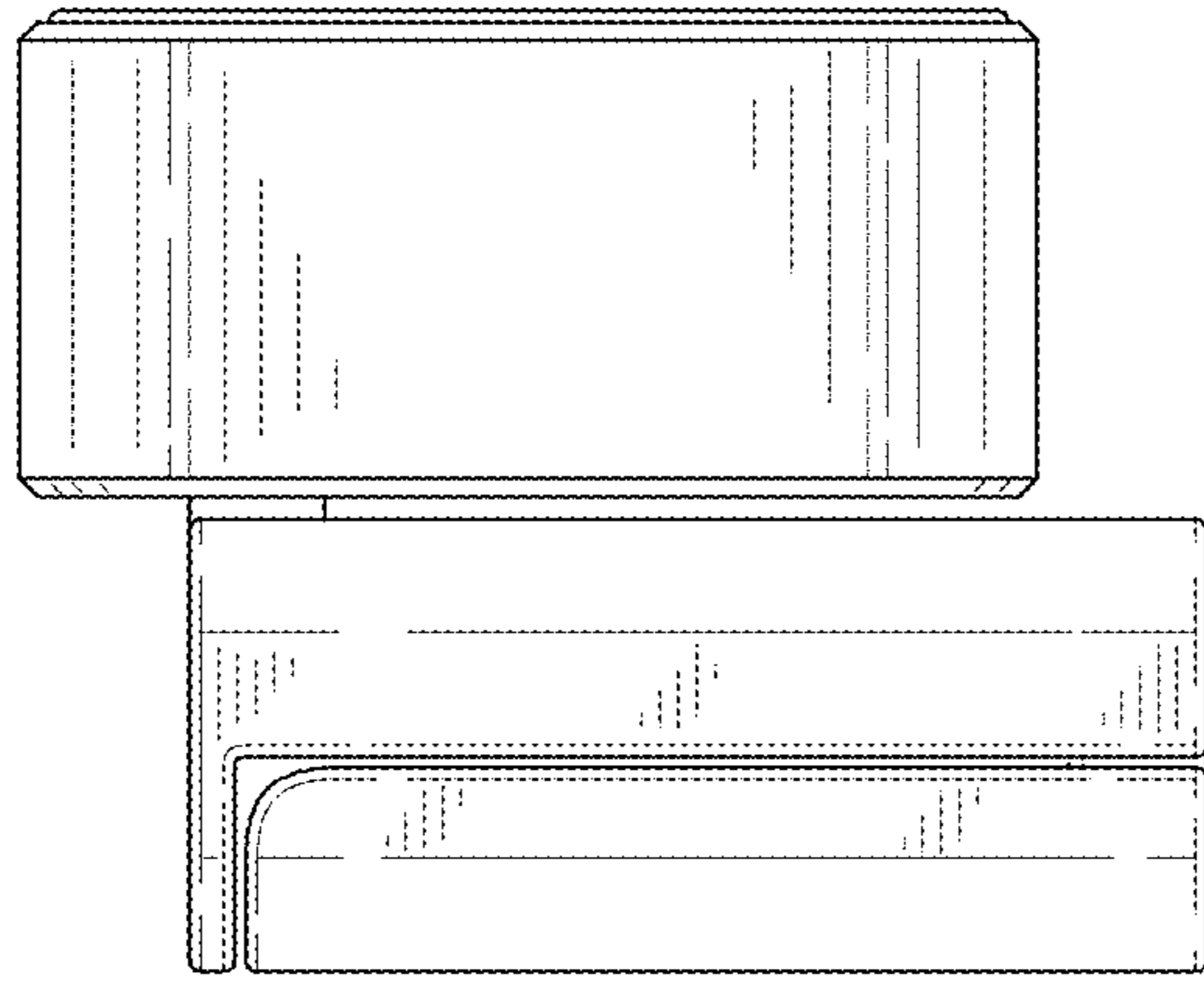


FIG. 5



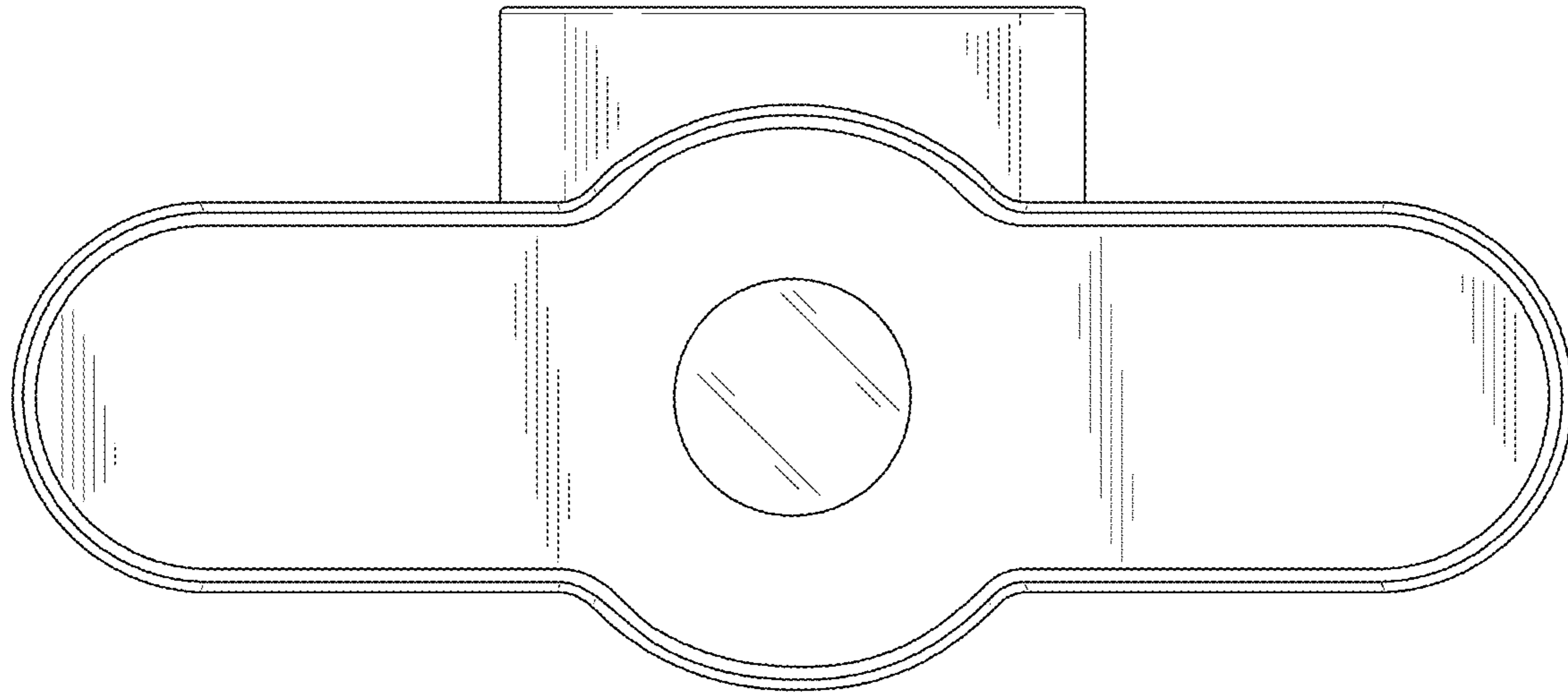


FIG. 6



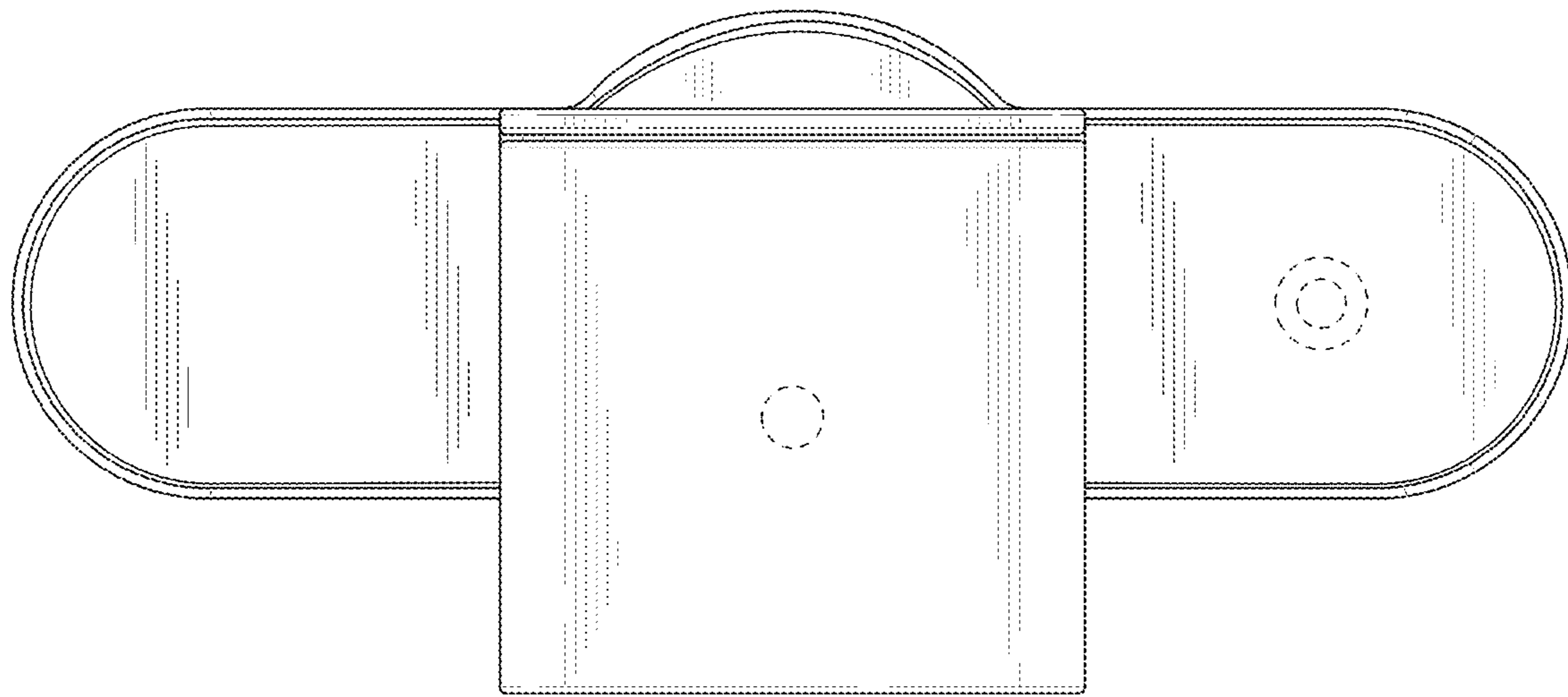


FIG. 7

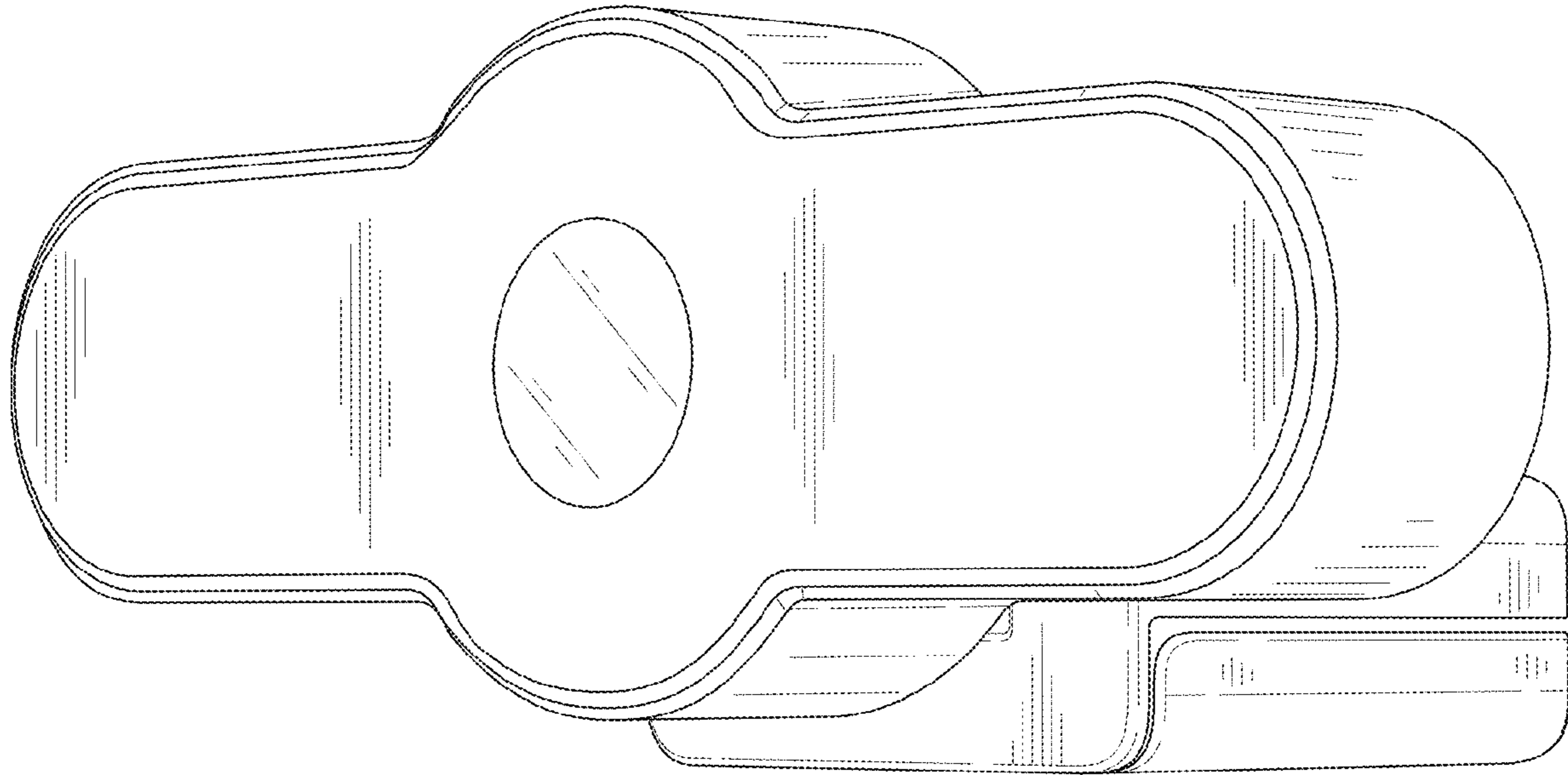


FIG. 8

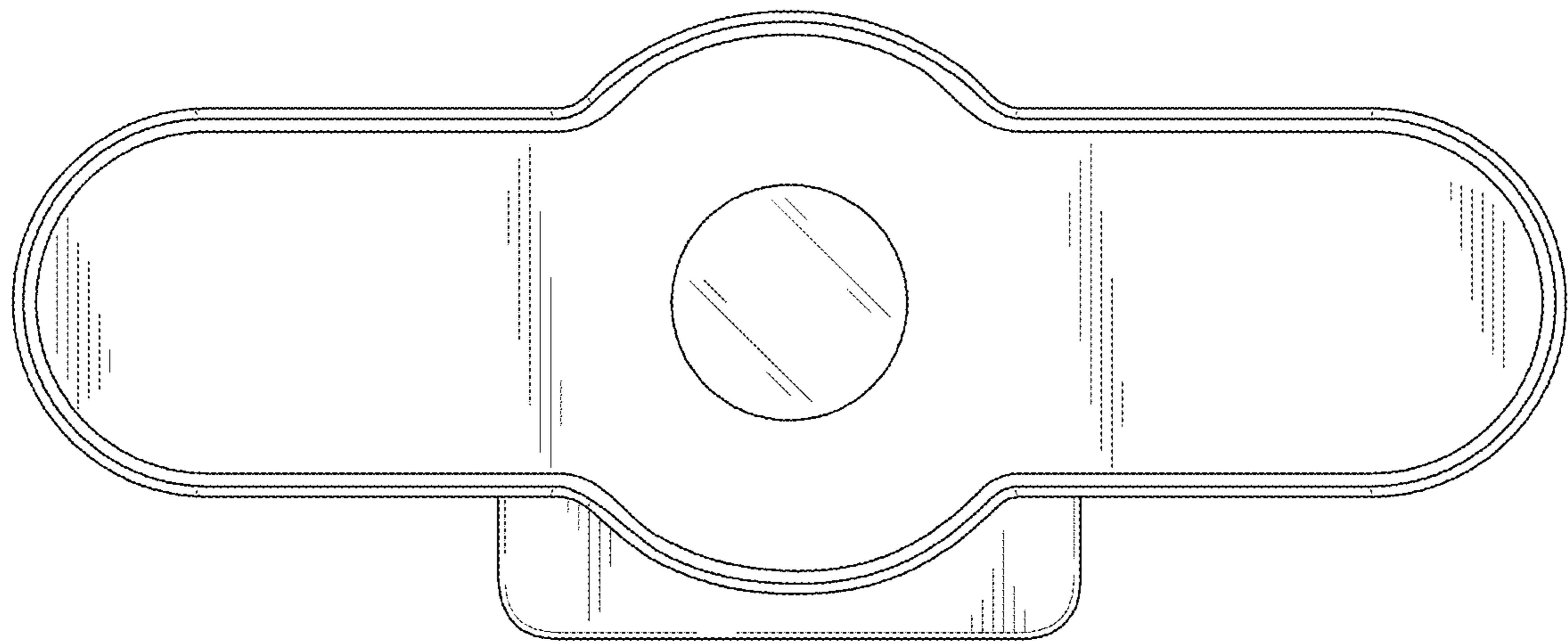


FIG. 9

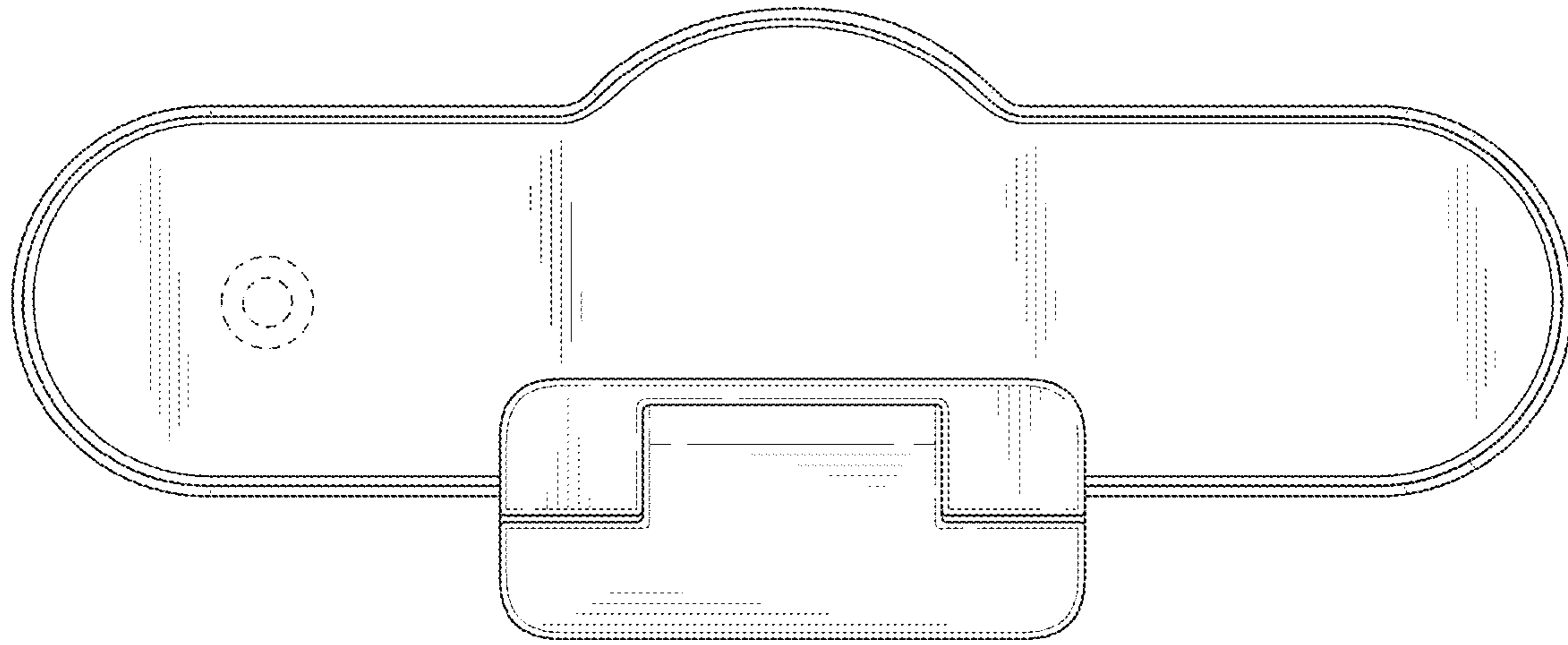


FIG. 10

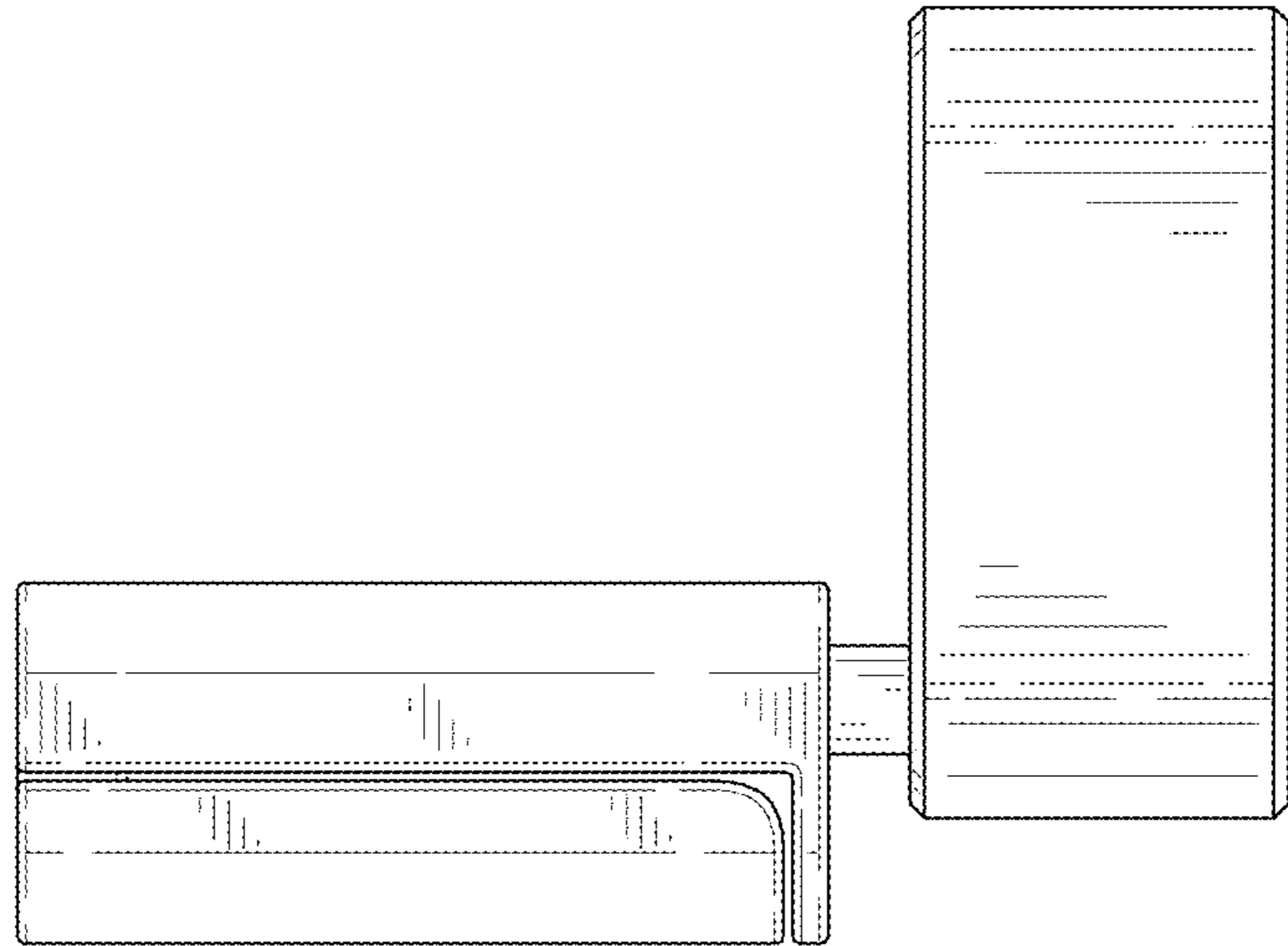


FIG. 11

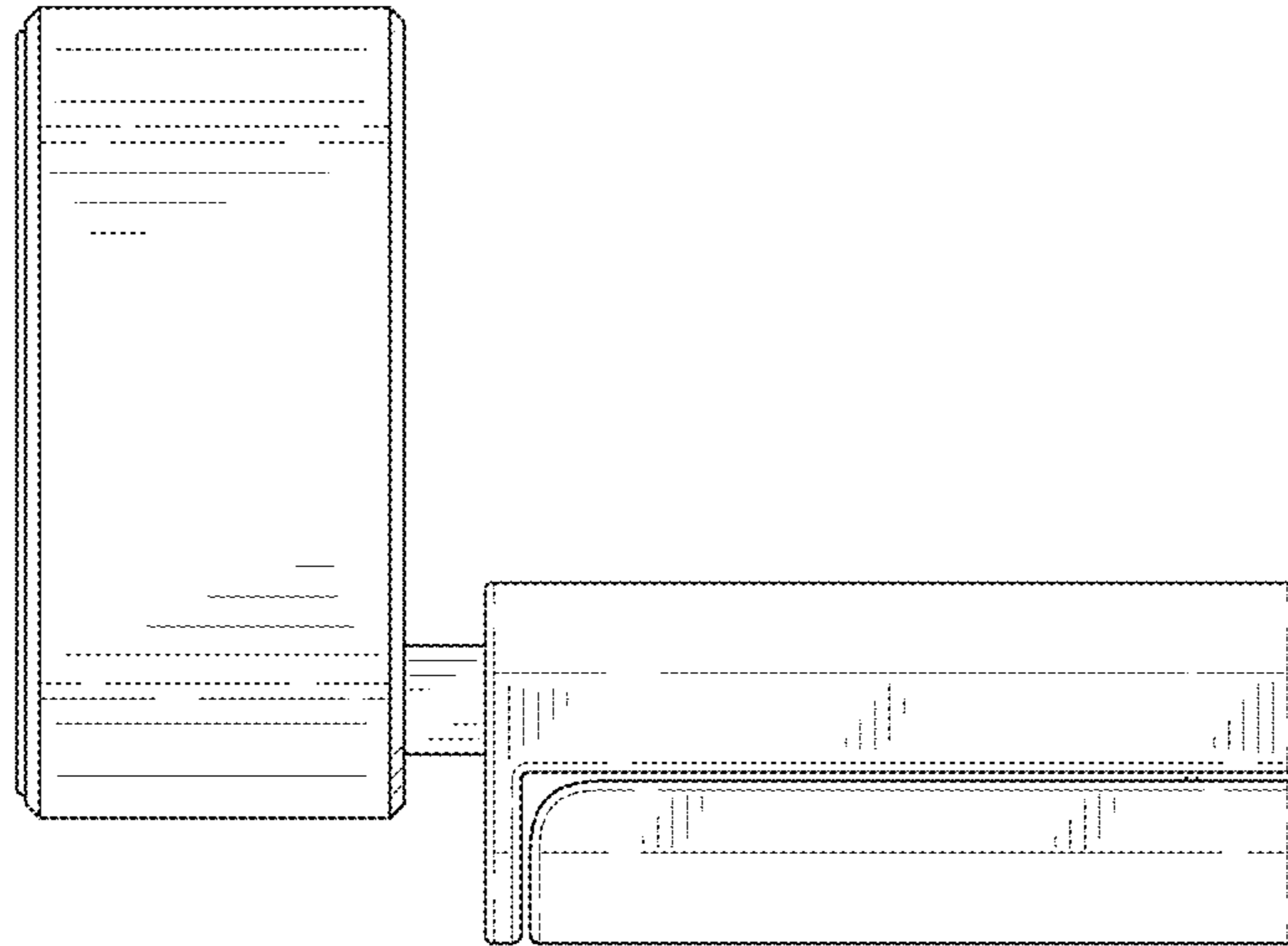


FIG. 12

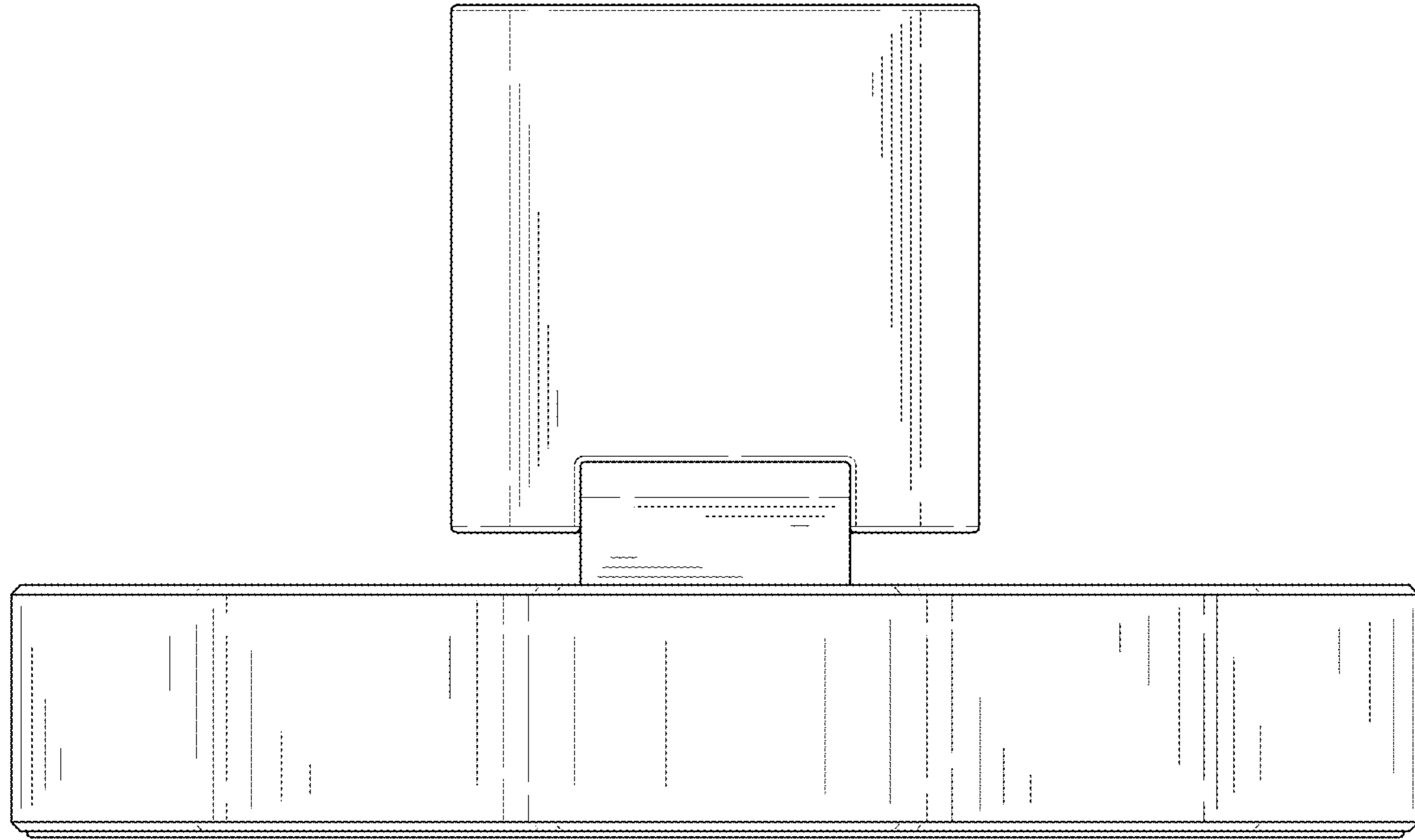


FIG. 13



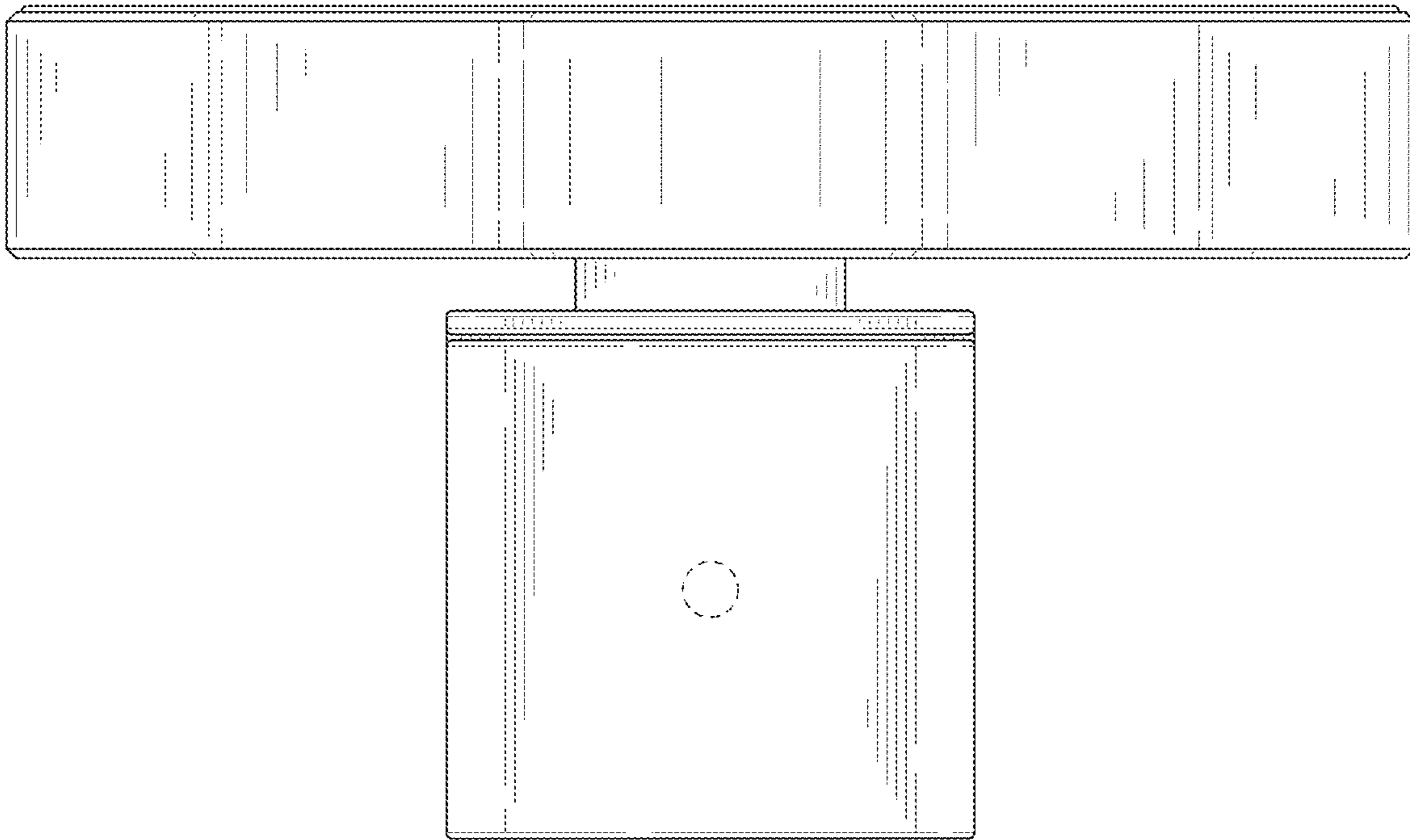


FIG. 14