



US00D978213S

(12) **United States Design Patent**
Zhu

(10) **Patent No.:** **US D978,213 S**

(45) **Date of Patent:** **** Feb. 14, 2023**

- (54) **MAGNIFYING GLASS**
- (71) Applicant: **Yunming Zhu**, Jiangxi (CN)
- (72) Inventor: **Yunming Zhu**, Jiangxi (CN)
- (**) Term: **15 Years**
- (21) Appl. No.: **29/849,532**
- (22) Filed: **Aug. 11, 2022**
- (51) **LOC (14) Cl.** **16-06**
- (52) **U.S. Cl.**
USPC **D16/135**
- (58) **Field of Classification Search**
USPC D16/131, 134, 135, 136, 137, 219, 237;
D26/37, 38, 41, 44, 51; D14/138 G
CPC G02B 25/00; G02B 25/02; G02B 25/002;
G02B 25/04
See application file for complete search history.

- D702,745 S * 4/2014 Gresko G02B 25/002
D16/135
- D703,718 S 4/2014 Hsu
- D709,937 S * 7/2014 Goldenberg D16/211
- 11,333,877 B1 * 5/2022 Su G02B 25/002
- D965,046 S * 9/2022 Zhu D16/135

* cited by examiner

Primary Examiner — Richard Kearney
Assistant Examiner — Benjamin M Weeks
(74) *Attorney, Agent, or Firm* — Che-Yang Chen; Law Office of Michael Chen

(57) **CLAIM**

The ornamental design for a magnifying glass, as shown and described.

DESCRIPTION

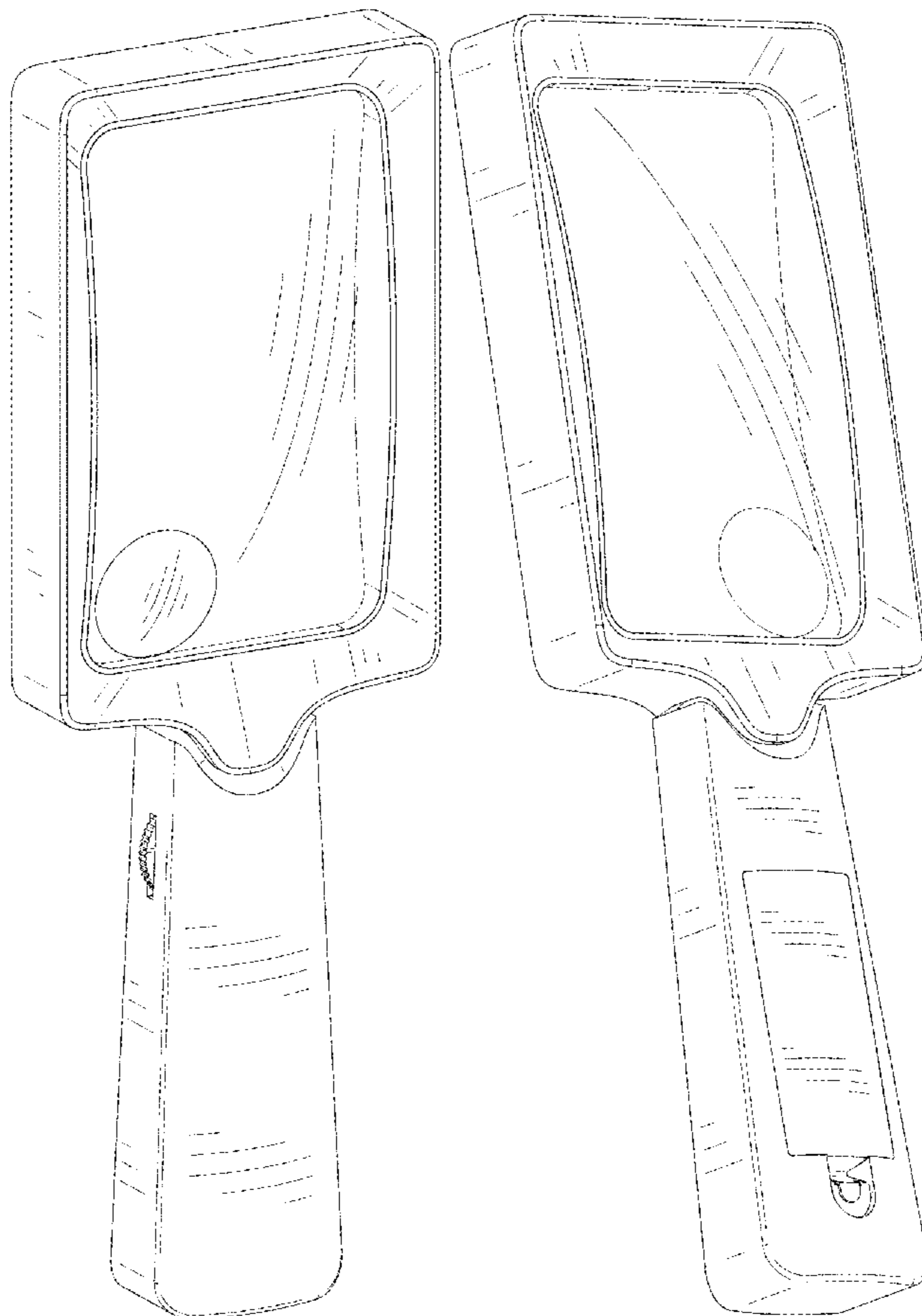
FIG. 1 is a perspective view of the magnifying glass showing my new design;
FIG. 2 is a perspective view thereof from another angle;
FIG. 3 is a front elevational view thereof;
FIG. 4 is a rear elevational view thereof;
FIG. 5 is a left side elevational view thereof;
FIG. 6 is a right side elevational view thereof;
FIG. 7 is a top plan view thereof; and,
FIG. 8 is a bottom plan view thereof.

1 Claim, 8 Drawing Sheets

(56) **References Cited**

U.S. PATENT DOCUMENTS

- D426,246 S * 6/2000 Hennessy D16/135
- D483,780 S * 12/2003 Overholser D16/135
- D550,264 S * 9/2007 Chan D16/135
- D568,353 S * 5/2008 Krause D16/135
- D602,967 S * 10/2009 Hui D16/135



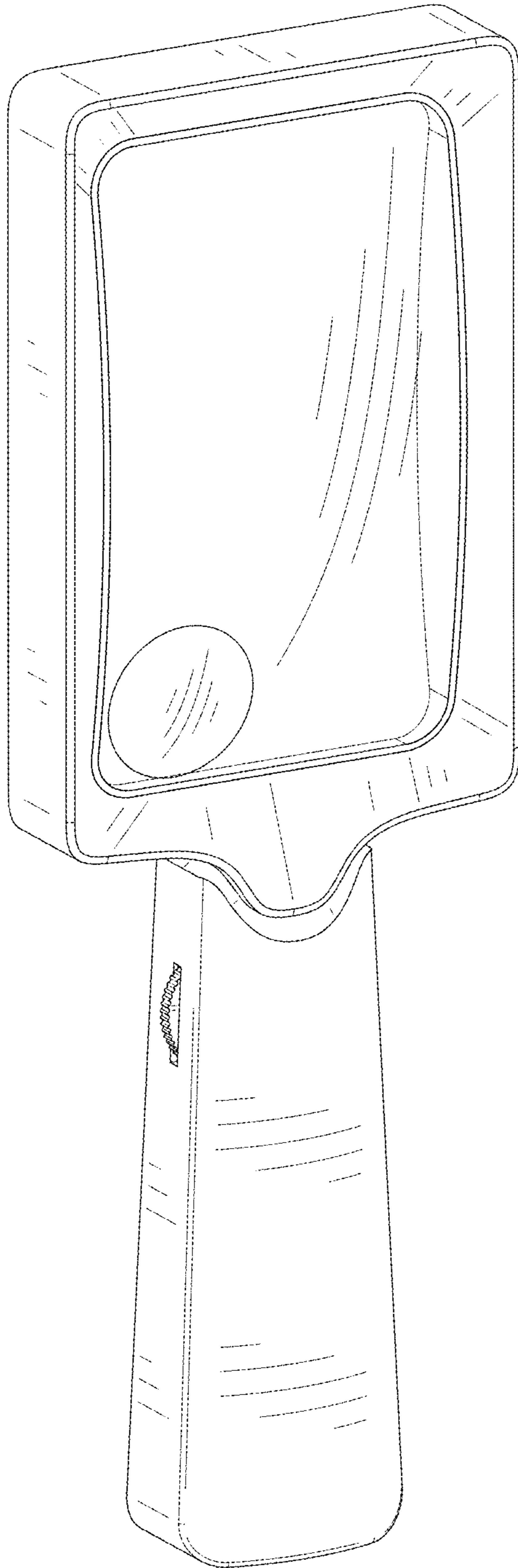


FIG. 1

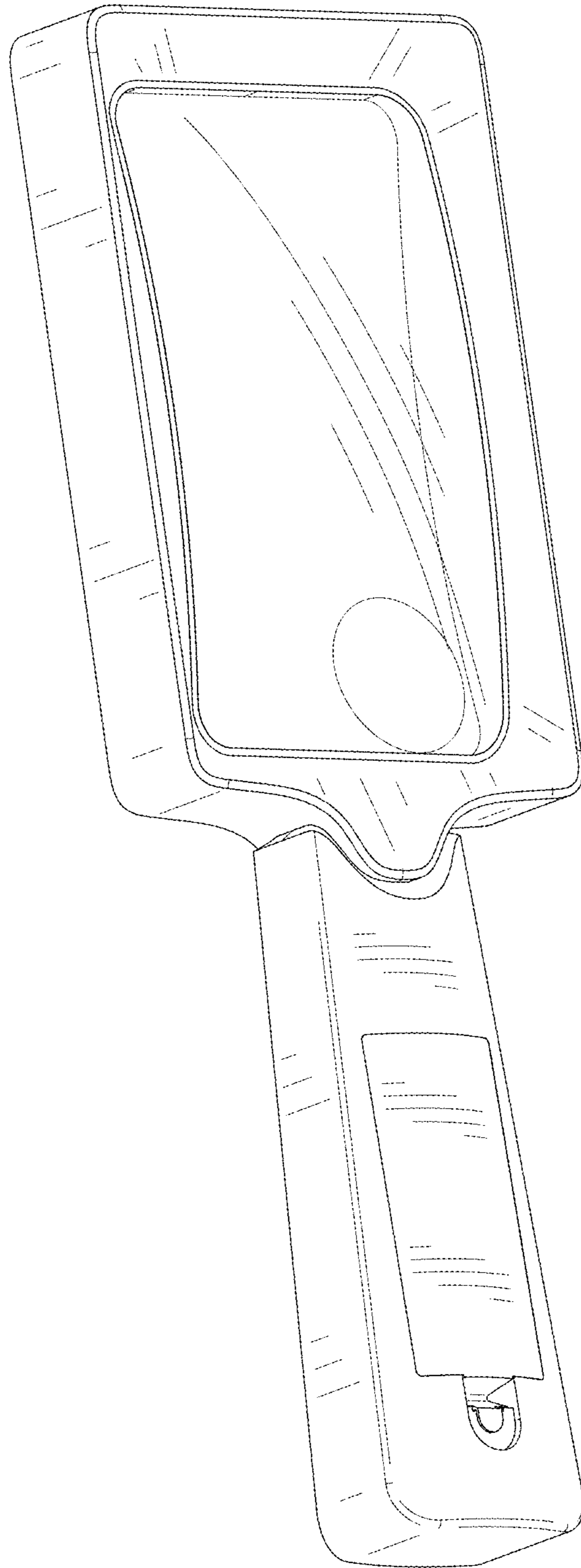


FIG. 2

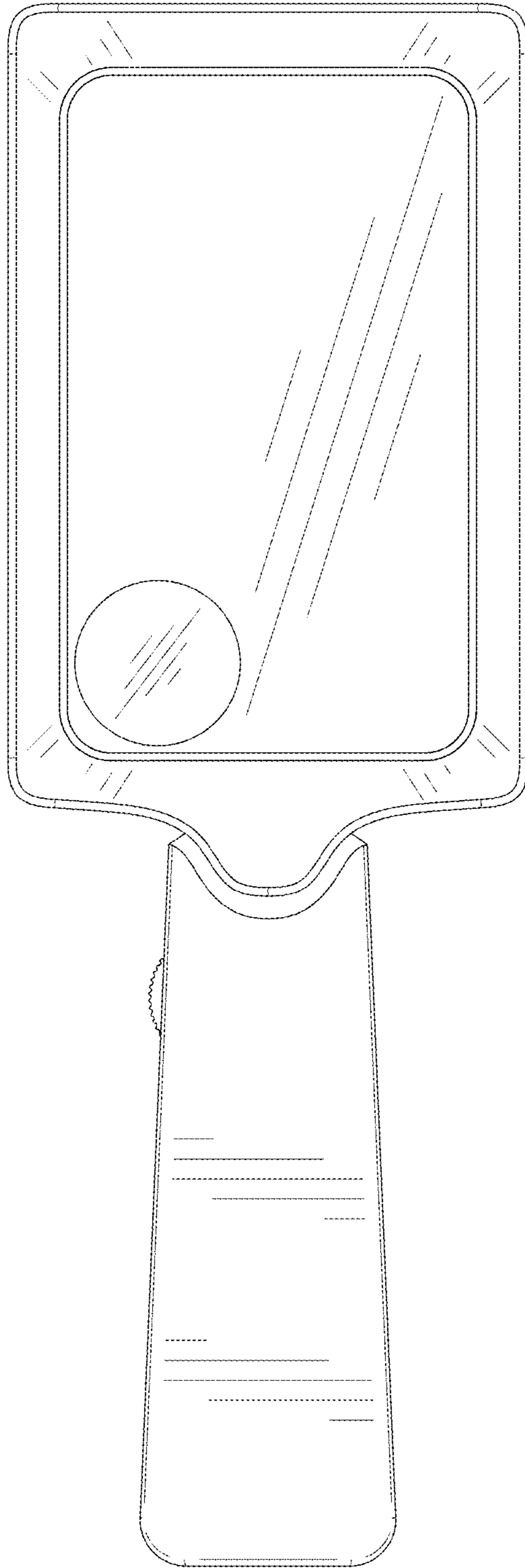


FIG. 3

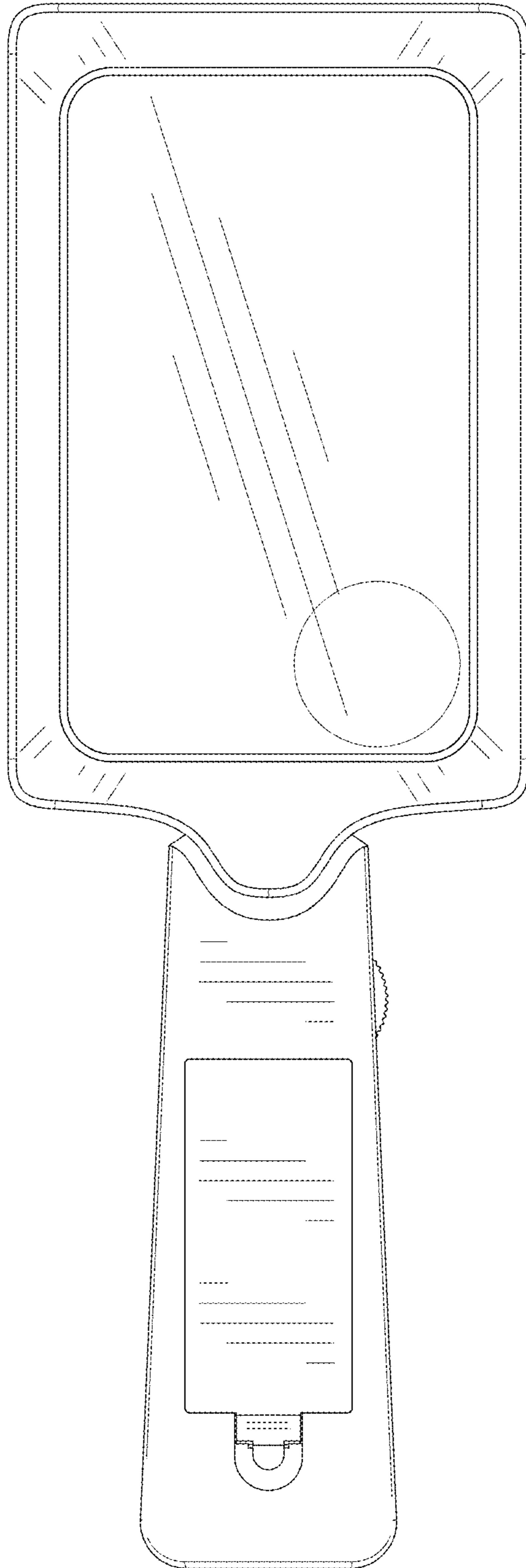


FIG. 4

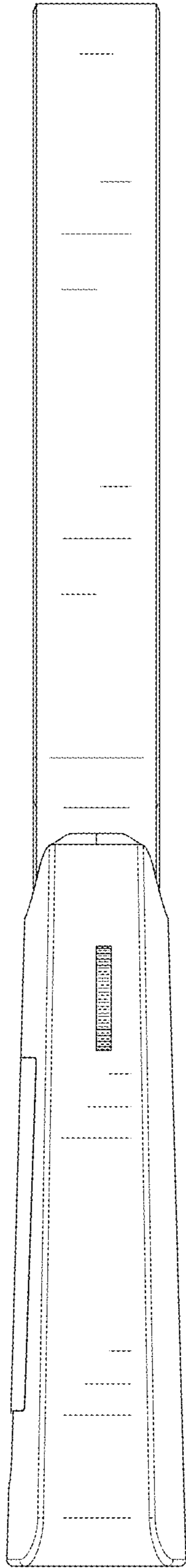


FIG. 5

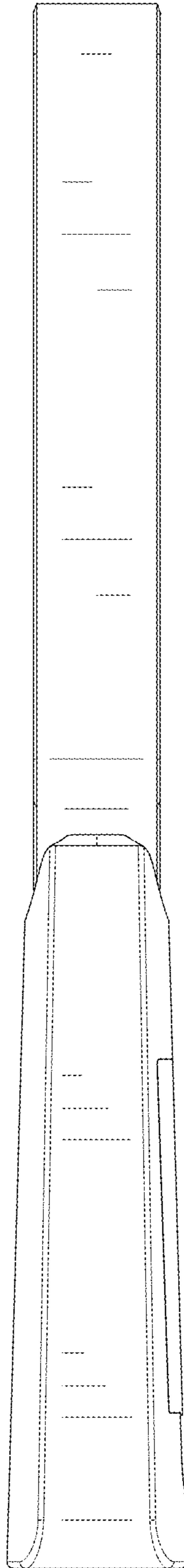


FIG. 6

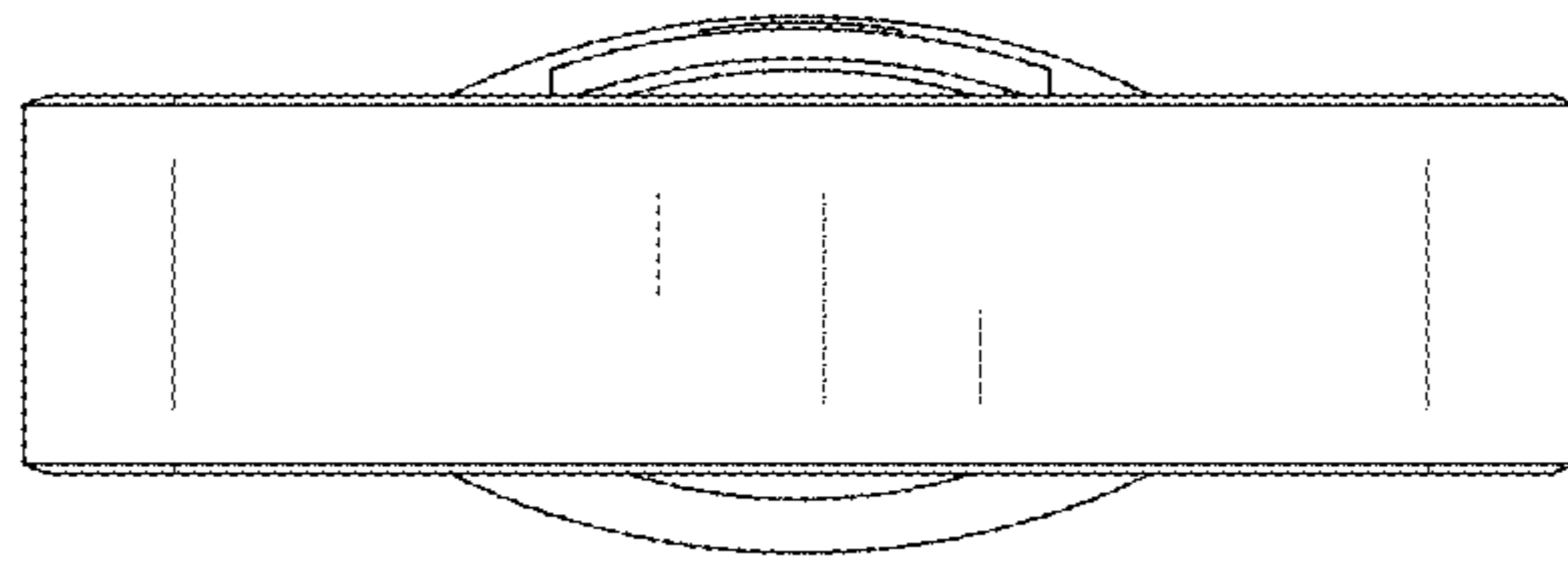


FIG. 7

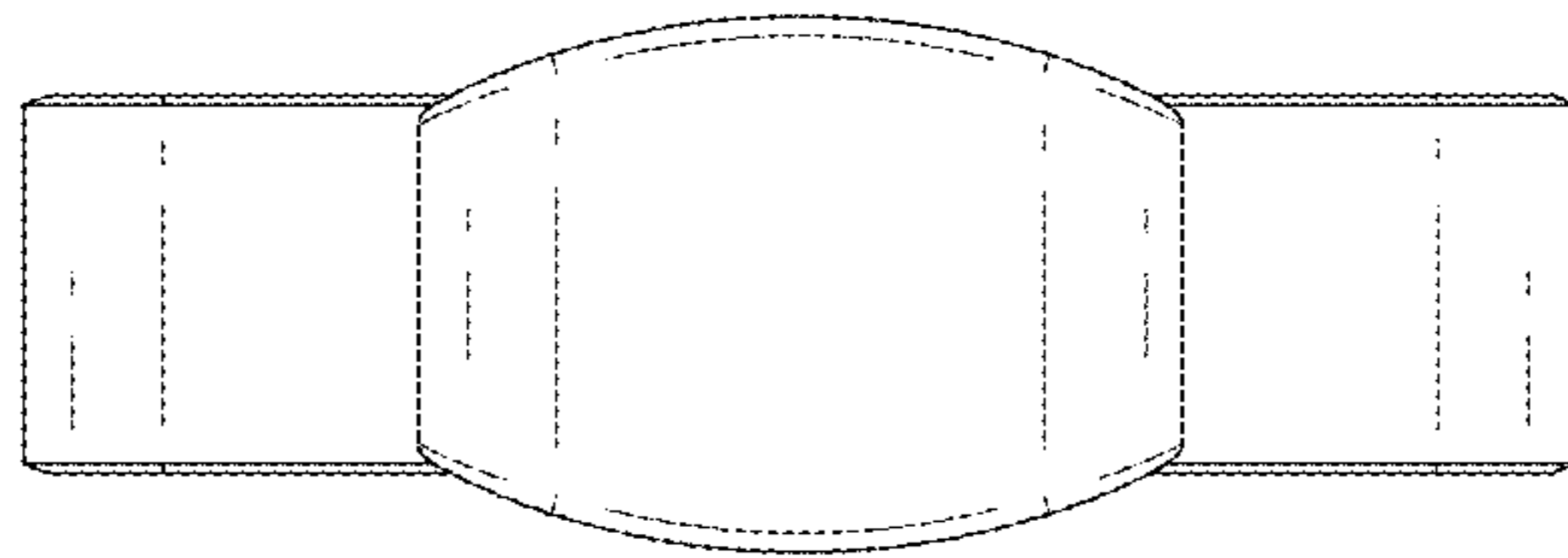


FIG. 8