



US00D978212S

(12) **United States Design Patent**
Mæhle et al.

(10) **Patent No.:** **US D978,212 S**

(45) **Date of Patent:** **** Feb. 14, 2023**

(54) **REMOTELY OPERATED STORAGE VEHICLE**

(71) Applicant: **Autostore Technology AS**, Nedre Vats (NO)

(72) Inventors: **Ole Alexander Mæhle**, Etne (NO);
Ragnar Stuhau, Skjold (NO);
Christian Håkon Pløen, Haugesund (NO)

(**) Term: **15 Years**

(21) Appl. No.: **35/513,228**

(22) Filed: **Dec. 9, 2021**

(80) **Hague Agreement Data**

Int. Filing Date: **Dec. 9, 2021**

Int. Reg. No.: **DM/217887**

Int. Reg. Date: **Dec. 9, 2021**

Int. Reg. Pub. Date: **Dec. 24, 2021**

(51) **LOC (14) Cl.** **15-99**

(52) **U.S. Cl.**

USPC **D15/199**

(58) **Field of Classification Search**

USPC ... D12/1, 14, 82, 86, 89, 90, 91, 92, 93, 97,
D12/98, 99; D15/199; D32/21; D34/34;
D21/419, 533, 548, 552, 561, 578, 760,
D21/765, 771

CPC B25J 5/005; B25J 5/007; B25J 11/008;
B60G 5/01; B60G 2300/07; B62D 61/10;
B62D 39/00; B61B 13/00; B66F 9/22;
B66F 9/063; B60P 9/00; G05D 1/0214;
G05D 1/0238; G05D 1/0246; G05D
1/0263; Y10S 901/01

See application file for complete search history.

(56) **References Cited**

U.S. PATENT DOCUMENTS

D514,391 S * 2/2006 Miesieski D7/605

D863,387 S * 10/2019 Wang D15/199

D902,272 S * 11/2020 Cascajar Ordóñez D15/199
D912,574 S * 3/2021 Li D12/1
D914,075 S * 3/2021 Sokuza D15/199
D924,955 S * 7/2021 Hoshino D15/199
D934,324 S * 10/2021 Hatteland A63H 11/00
D15/199
D944,304 S * 2/2022 Ishizu D15/199
D946,069 S * 3/2022 Mørk D15/199
D947,916 S * 4/2022 Zhao B65G 1/0492
D15/199
D953,203 S * 5/2022 Müller D12/86
D958,214 S * 7/2022 Szucs D15/199
D969,191 S * 11/2022 Lee D15/199

OTHER PUBLICATIONS

A reimagined warehouse, Published Apr. 7, 2021 [online], [retrieved on Nov. 10, 2022]. Retrieved from the Internet: <https://about.ups.com/sg/en/our-stories/innovation-driven/a-reimagined-warehouse--people--robots--and-sustainable-too-.html> (Year: 2021).*

* cited by examiner

Primary Examiner — Cary M Robinson

Assistant Examiner — Adam C Mager

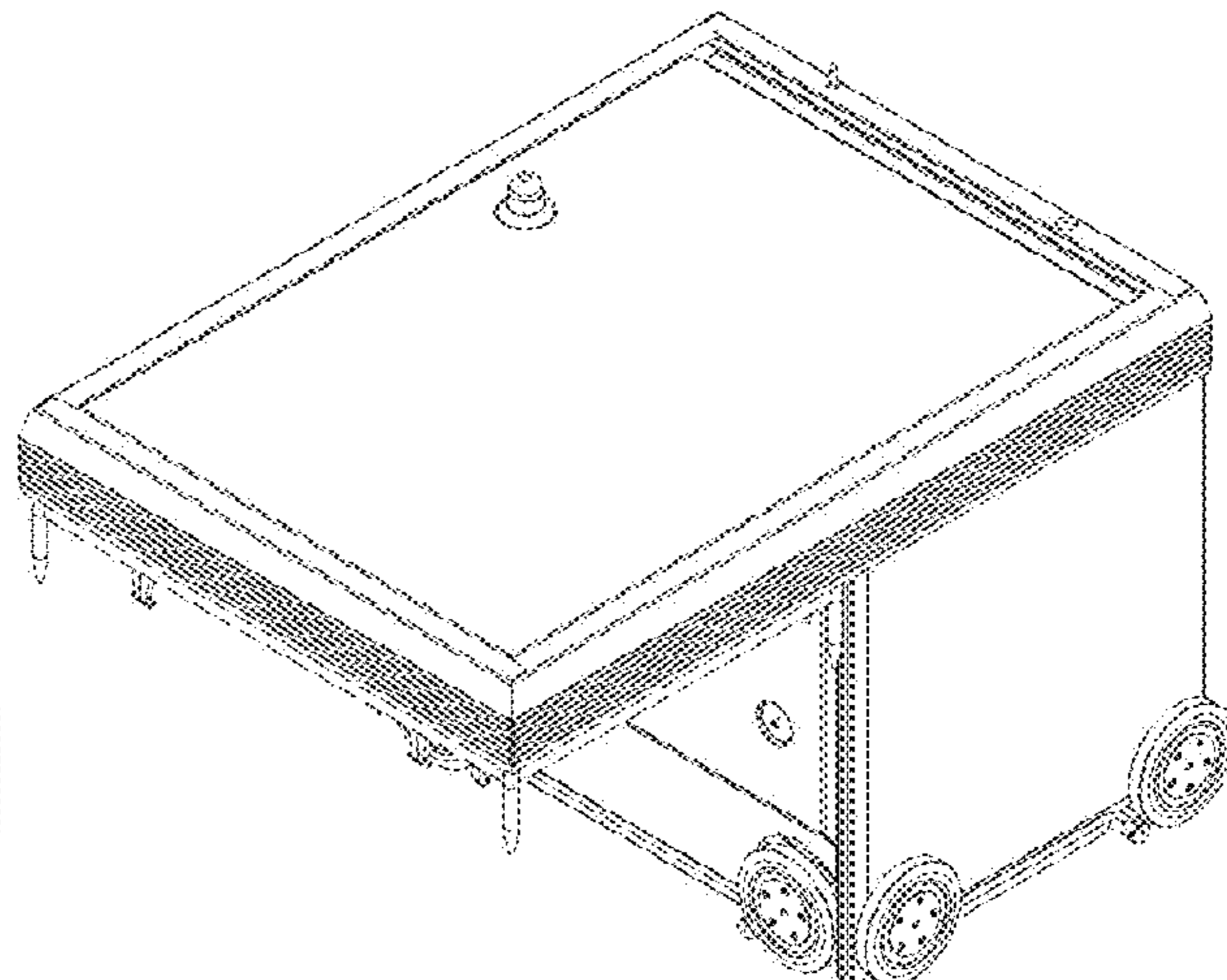
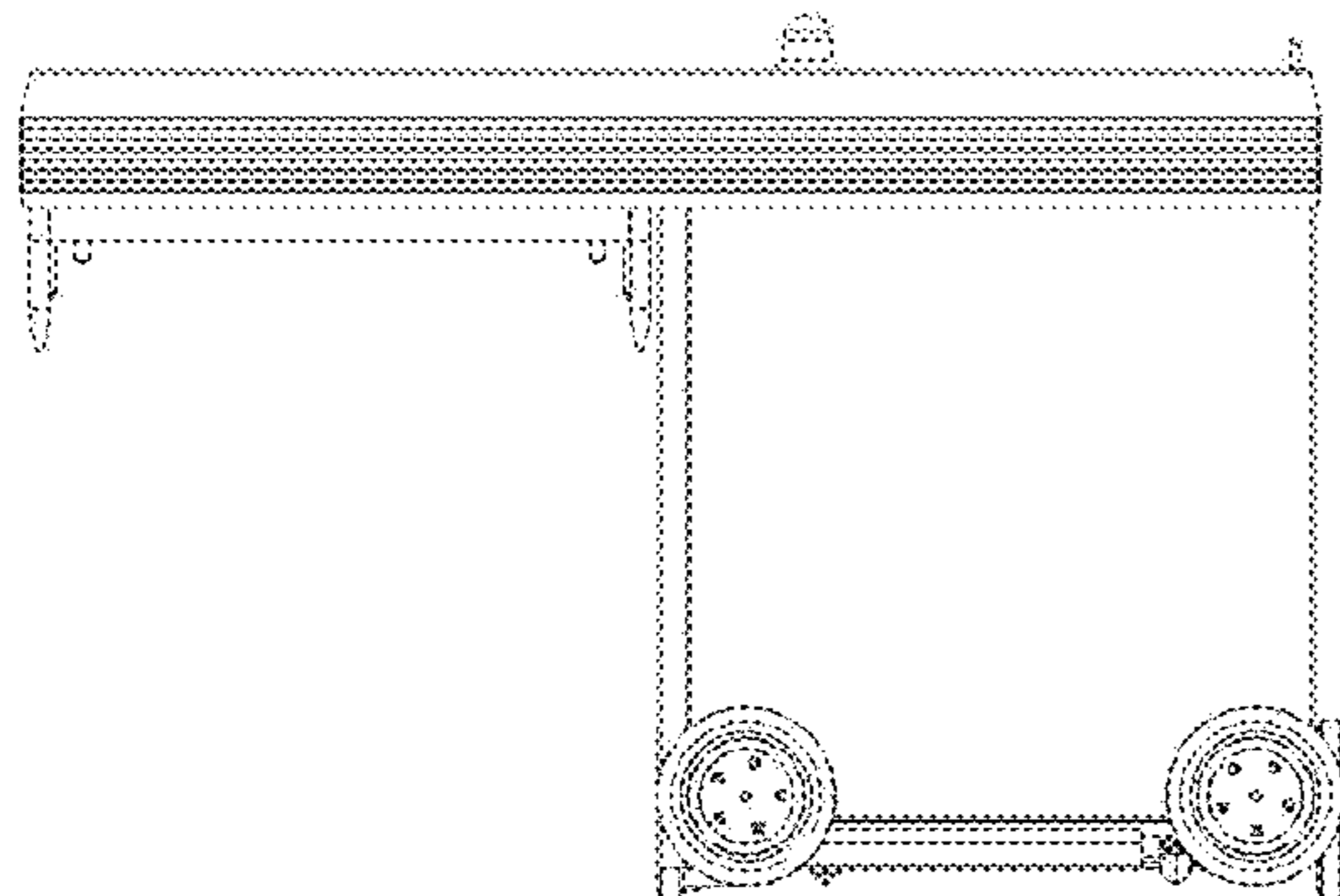
(57) **CLAIM**

The ornamental design for a remotely operated storage vehicle, as shown and described.

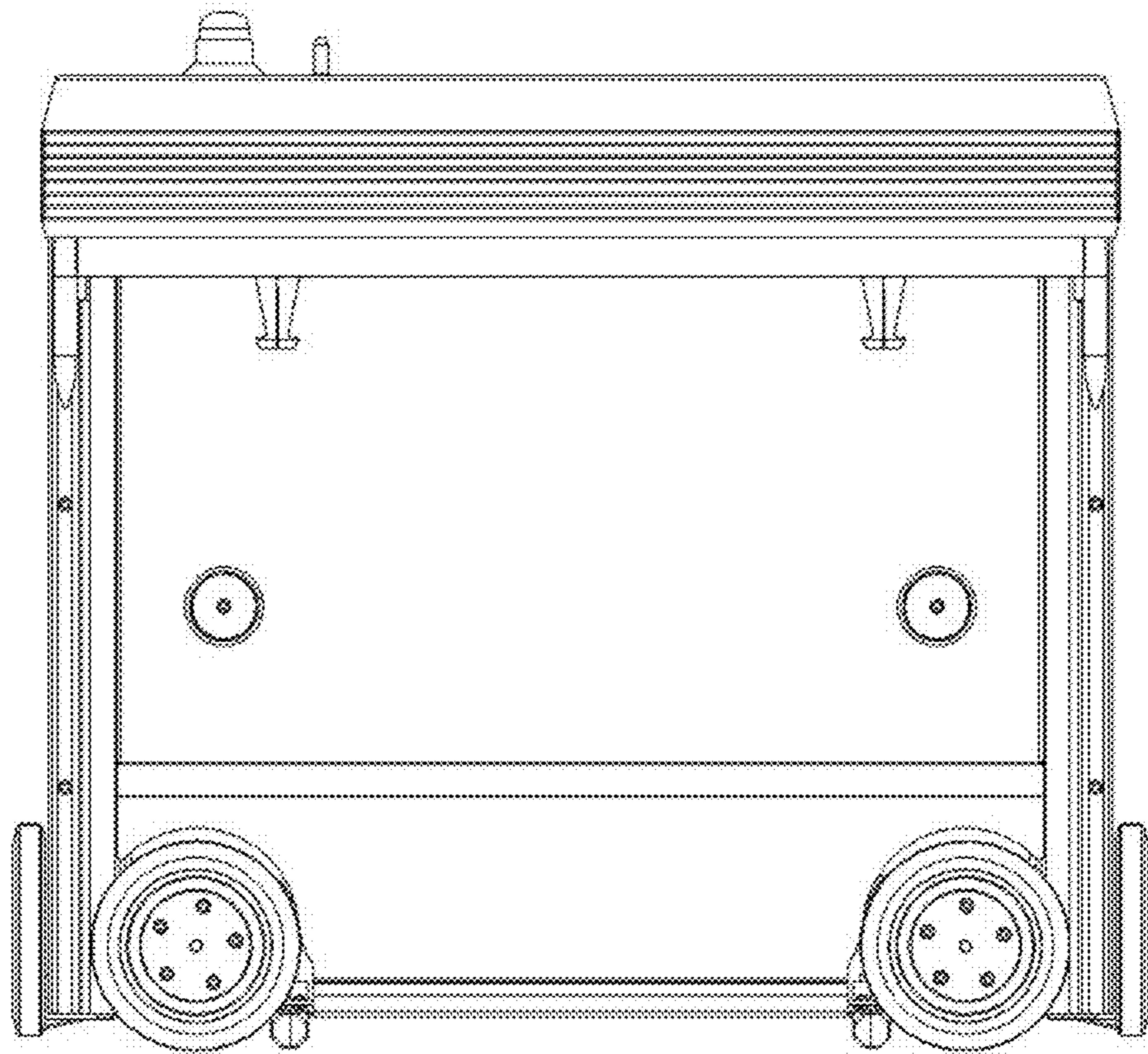
DESCRIPTION

- 1. Remotely operated storage vehicle
- 1.1 Front
- 1.2 Back
- 1.3 Left
- 1.4 Right
- 1.5 Top
- 1.6 Bottom
- 1.7 Perspective

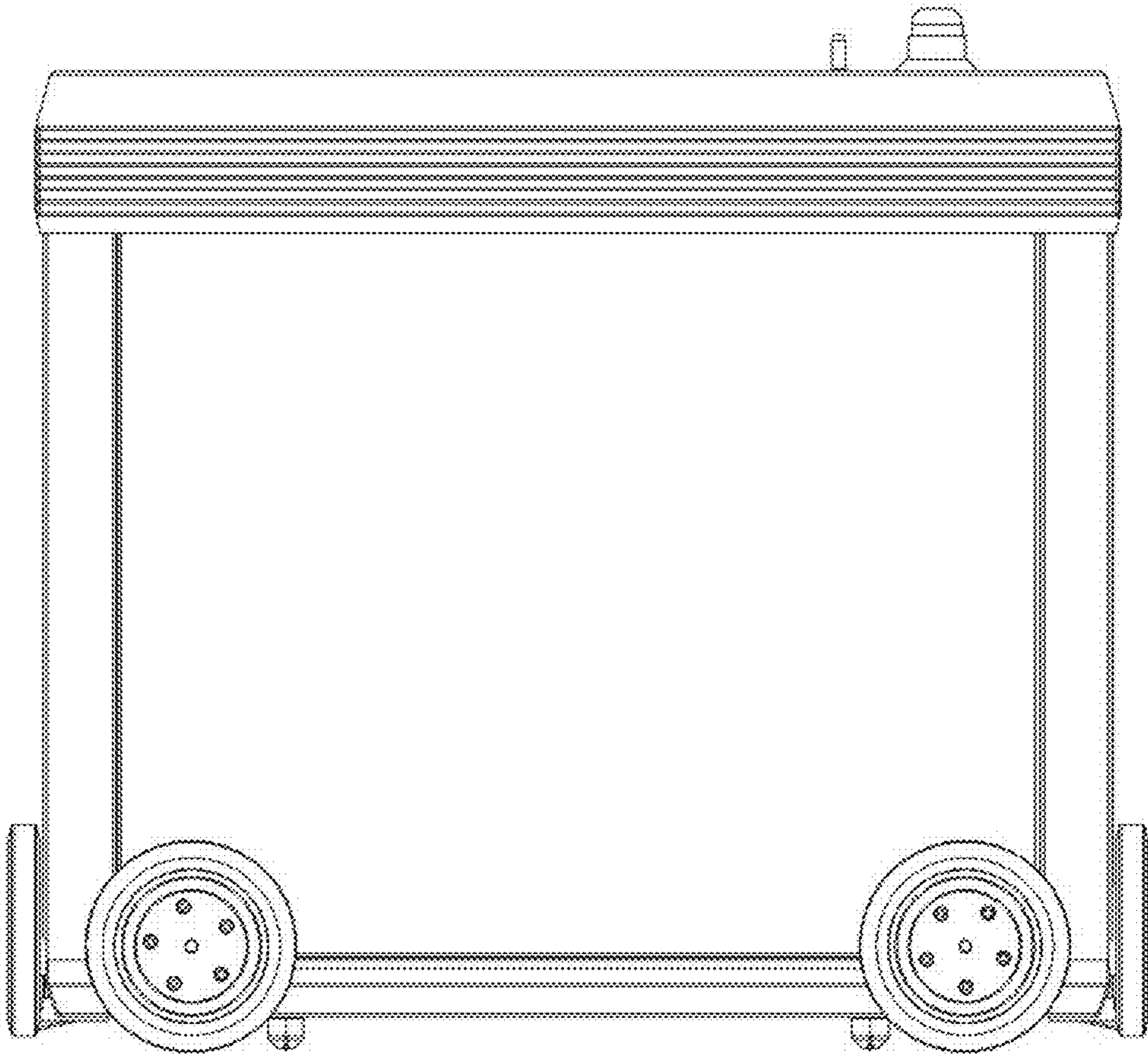
1 Claim, 7 Drawing Sheets



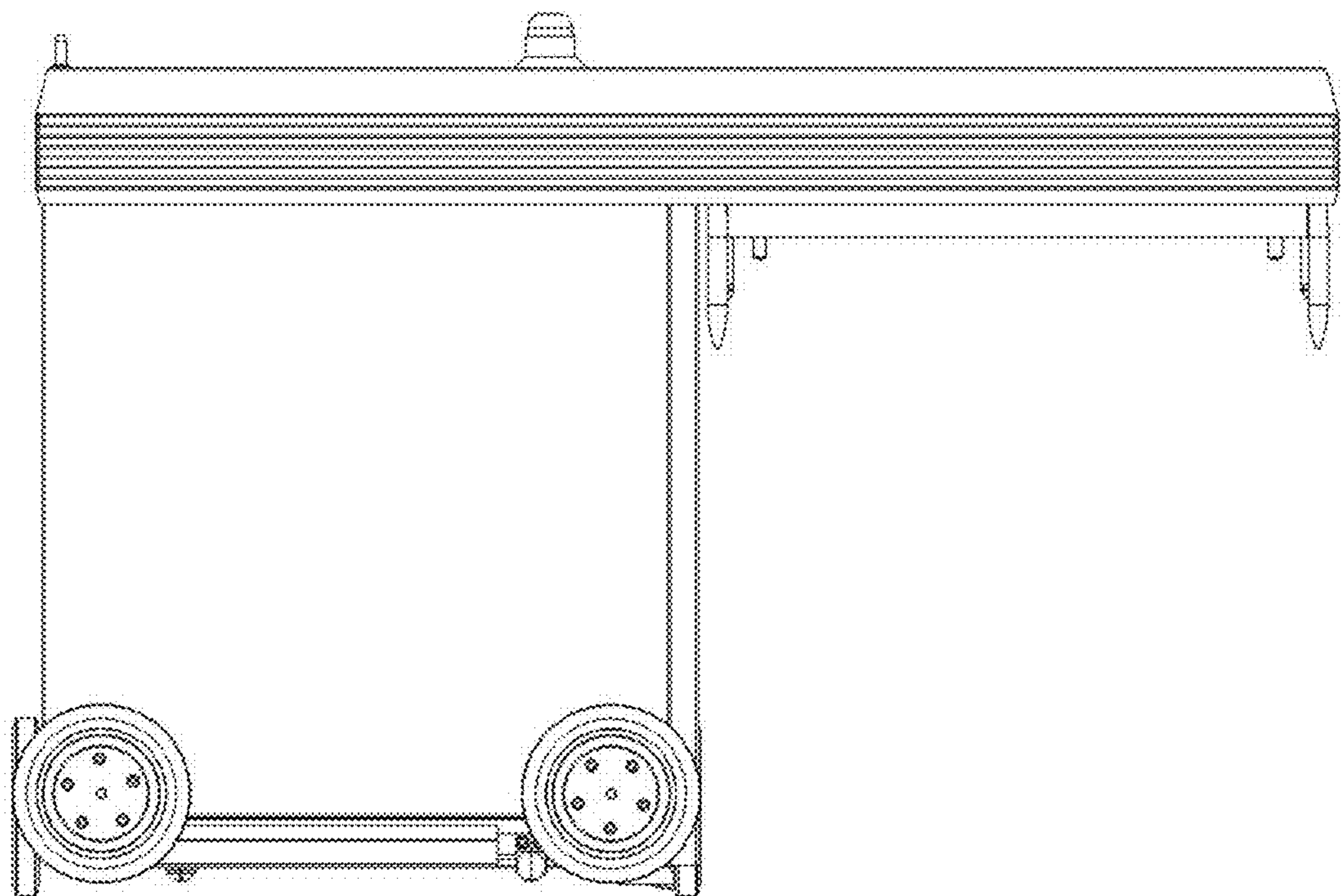
1.1



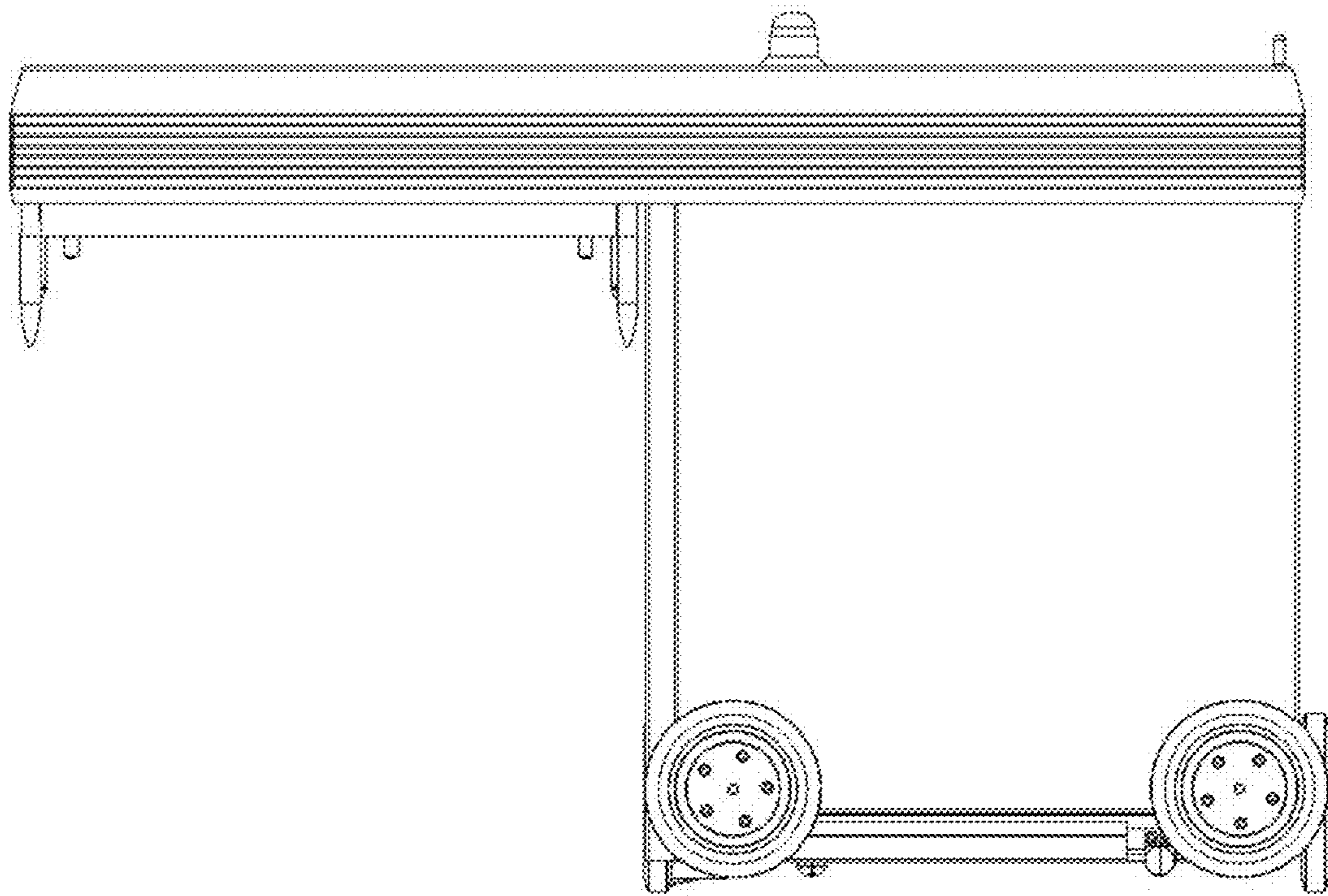
1.2



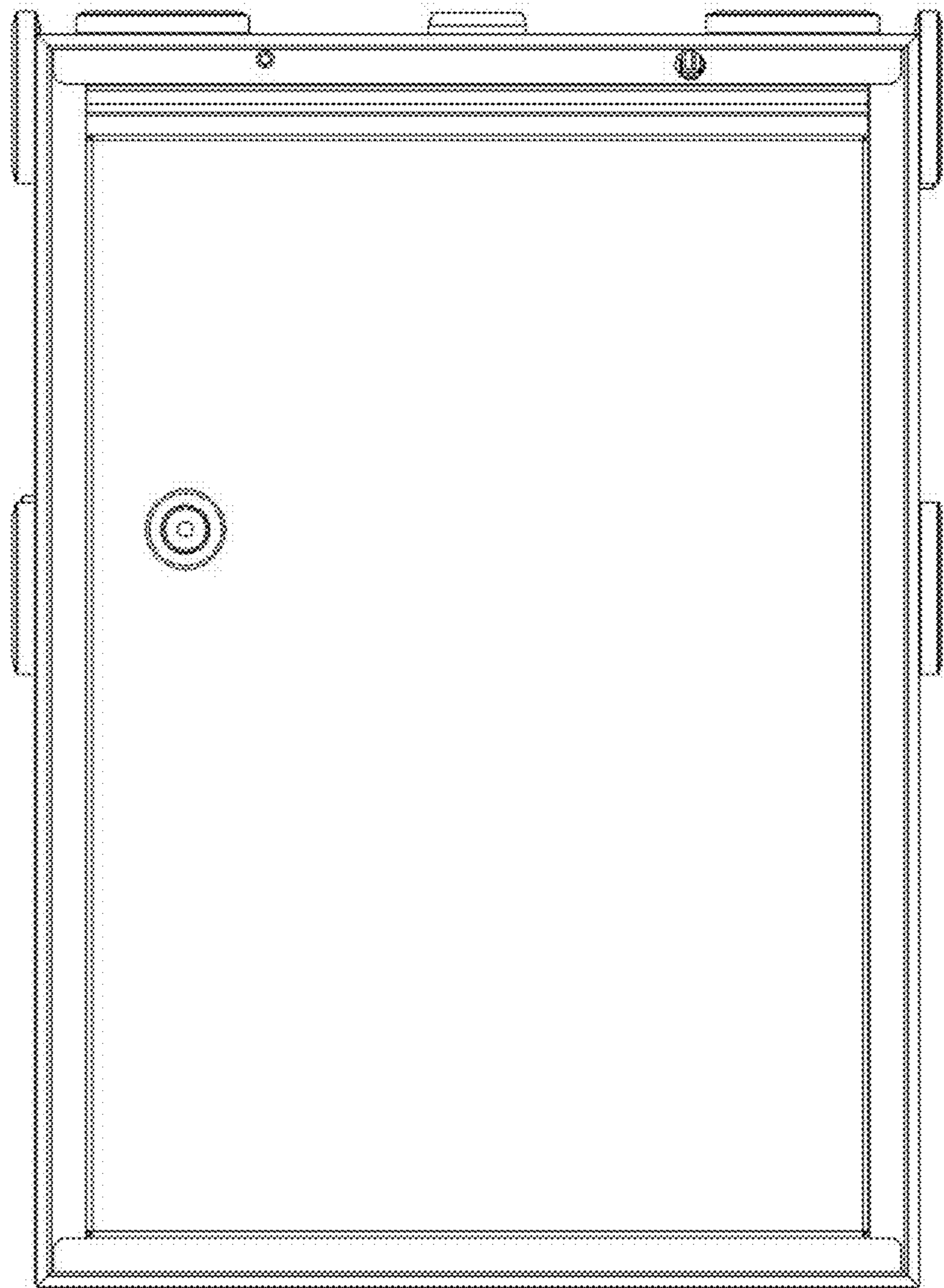
1.3



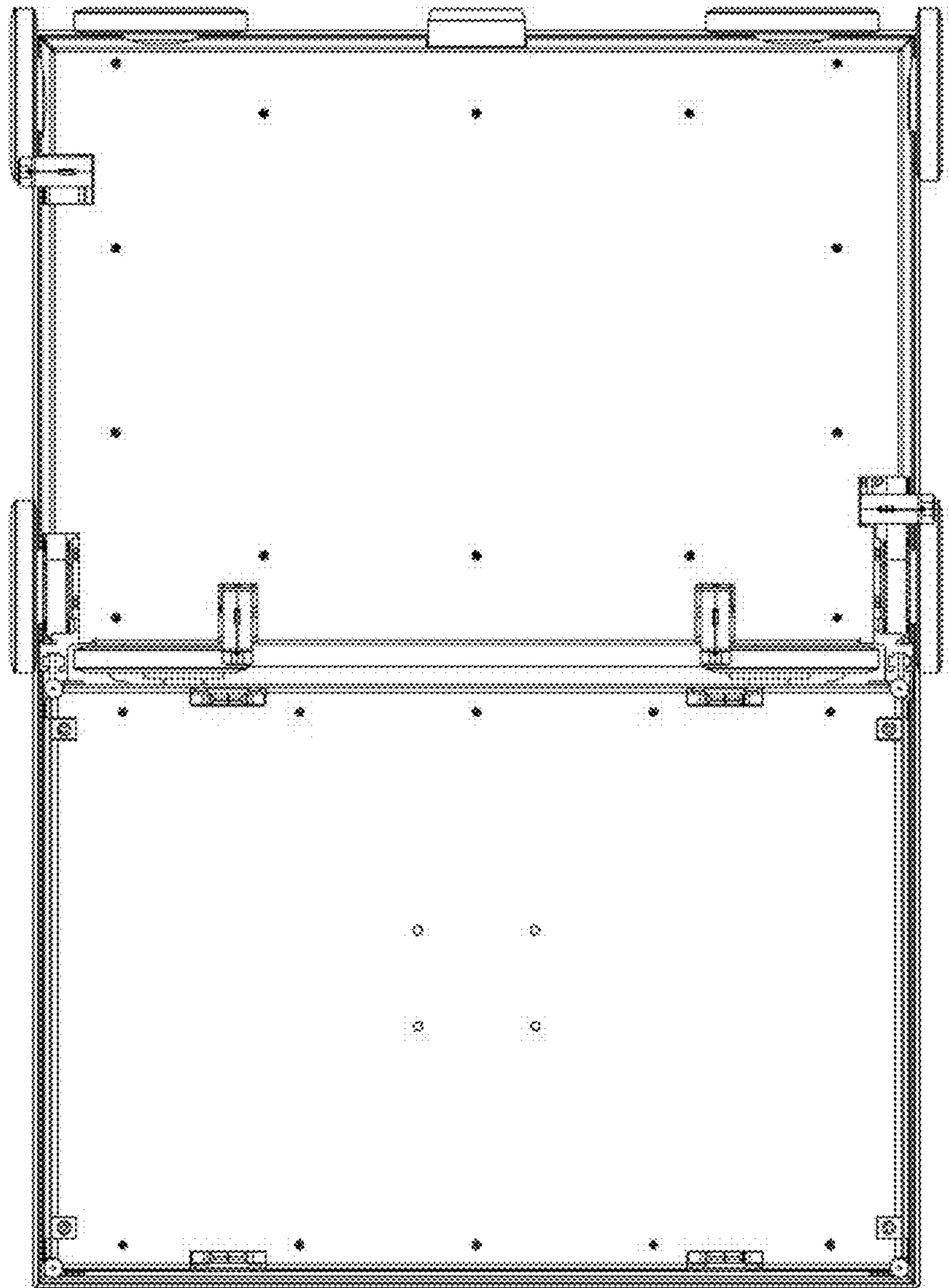
1.4



1.5



1.6



1.7

