



US00D978210S

(12) **United States Design Patent** (10) **Patent No.:** **US D978,210 S**  
**Urruth Kemmerich** (45) **Date of Patent:** **\*\* Feb. 14, 2023**

- (54) **DISPLAY ASSEMBLY**
- (71) Applicant: **GoBe Robots ApS**, Odense SØ (DK)
- (72) Inventor: **Gustavo Urruth Kemmerich**, Odense (DK)
- (73) Assignee: **GoBe Robots ApS**, Odense (DK)
- (\*\*) Term: **15 Years**
- (21) Appl. No.: **29/734,908**
- (22) Filed: **May 15, 2020**
- (51) **LOC (14) Cl.** ..... **15-99**
- (52) **U.S. Cl.**  
USPC ..... **D15/199**
- (58) **Field of Classification Search**  
USPC ..... D15/199; D21/578-583, 621, 622;  
D32/21; D34/34  
CPC ..... B25J 5/007; B25J 11/008; B60B 19/006;  
B62D 57/024  
See application file for complete search history.

(56) **References Cited**  
U.S. PATENT DOCUMENTS

D675,656	S	*	2/2013	Sutherland	.....	D15/199
D735,258	S	*	7/2015	Jang	.....	D15/199
9,174,342	B2	*	11/2015	Pinter	.....	B25J 9/1676
9,776,327	B2	*	10/2017	Pinter	.....	B25J 9/1676
D811,458	S	*	2/2018	Wang	.....	D15/199
D817,375	S	*	5/2018	Deyle	.....	D15/199
D841,067	S	*	2/2019	Camporesi	.....	D15/199
D849,813	S	*	5/2019	Sutherland	.....	D15/199
D855,673	S	*	8/2019	Sutherland	.....	D15/199
D857,073	S	*	8/2019	Gayne	.....	D15/199
D859,485	S	*	9/2019	Sutherland	.....	D15/199
D872,788	S	*	1/2020	Sutherland	.....	D15/199
D877,786	S	*	3/2020	Gayne	.....	D15/199
D884,043	S	*	5/2020	Song	.....	D15/199
D908,151	S	*	1/2021	Song	.....	D15/199
D913,349	S	*	3/2021	Yao	.....	D15/199
D915,486	S	*	4/2021	Gidwell	.....	D15/199
D917,591	S	*	4/2021	Xiao	.....	D15/199
D919,687	S	*	5/2021	Song	.....	D15/199

D920,411 S \* 5/2021 Zheng ..... B25J 9/1676  
D15/199  
D921,080 S \* 6/2021 Chen ..... D15/199  
D937,920 S \* 12/2021 Gidwell ..... D15/199  
D963,013 S \* 9/2022 Urruth Kemmerich ..... D15/199

\* cited by examiner  
*Primary Examiner* — Patricia A Palasik  
(74) *Attorney, Agent, or Firm* — Donald J. Lecher; Butzel Long

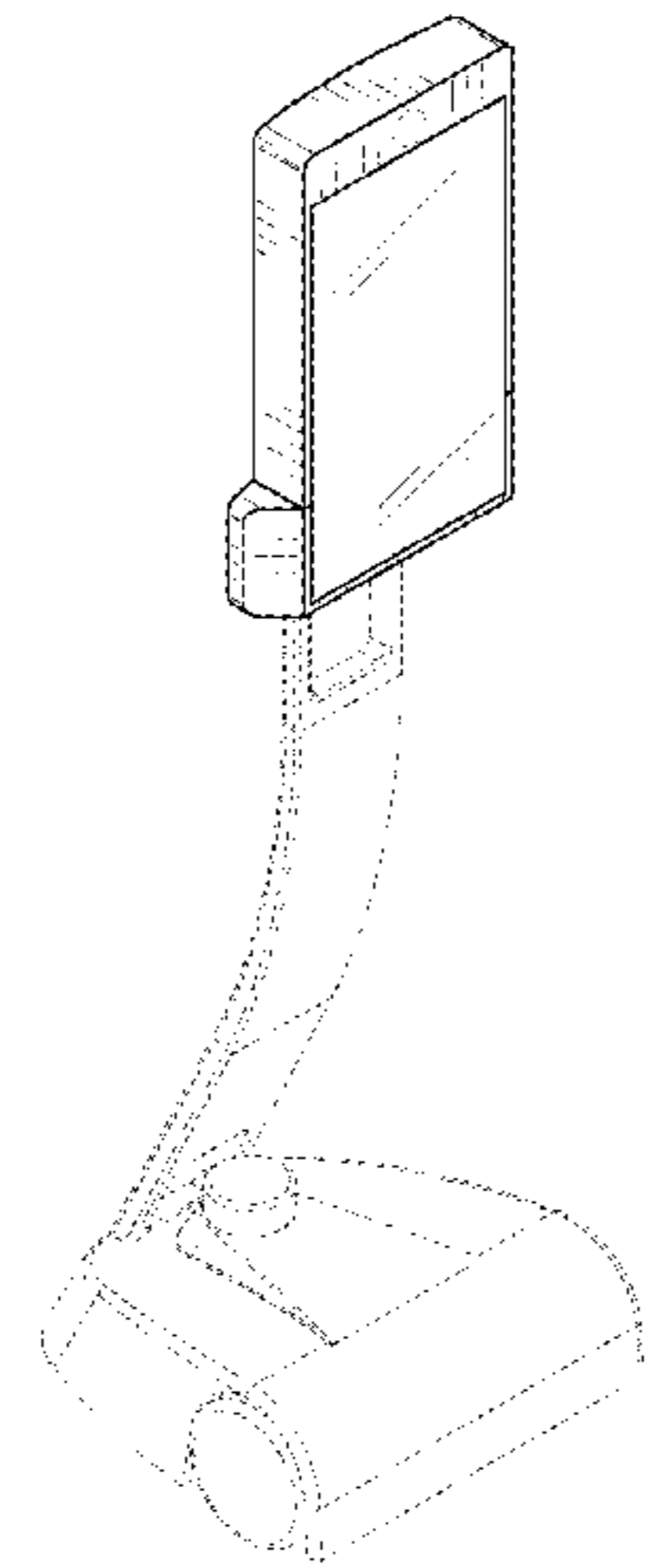
(57) **CLAIM**

The ornamental design for a display assembly, as shown and described.

**DESCRIPTION**

FIG. 1 shows a top left-side front perspective view of the display assembly of our new design in an environment of a robot vehicle;  
FIG. 2 shows a top right-side rear perspective view of the display assembly of our new design in an environment of a robot vehicle;  
FIG. 3 shows a front elevation view of the display assembly of our new design in an environment of a robot vehicle;  
FIG. 4 shows a right-side elevation view of the display assembly of our new design in an environment of a robot vehicle;  
FIG. 5 shows a rear elevation view of the display assembly of our new design opposite that of FIG. 3 in an environment of a robot vehicle;  
FIG. 6 shows a left-side elevation view of the display assembly of our new design opposite that of FIG. 4 in an environment of a robot vehicle;  
FIG. 7 shows a top plan view of the display assembly of our new design in an environment of a robot vehicle;  
FIG. 8 shows a bottom left-side front perspective view of the display assembly of our new design in an environment of a robot vehicle;  
FIG. 9 shows a front elevation view of a second embodiment of the display assembly of our new design in an environment of a robot vehicle, the second embodiment showing a black

(Continued)



surface color of a forward-facing portion of lower sides and a bottom portion of a display screen surround member;

FIG. 10 shows a right-side elevation view of the second embodiment of the display assembly of our new design in an environment of a robot vehicle, the second embodiment showing the black surface color of the forward-facing portion of lower sides and the bottom portion of the display screen surround member;

FIG. 11 shows a left-side elevation view of the second embodiment of the display assembly of our new design opposite that of FIG. 10 in an environment of a robot vehicle, the second embodiment showing the black surface color of the forward-facing portion of lower sides and the bottom portion of the display screen surround member;

FIG. 12 shows a top left-side front perspective view of the second embodiment of the display assembly of our new design in an environment of a robot vehicle, the second embodiment showing the black surface color of the forward-

facing portion of lower sides and the bottom portion of the display screen surround member;

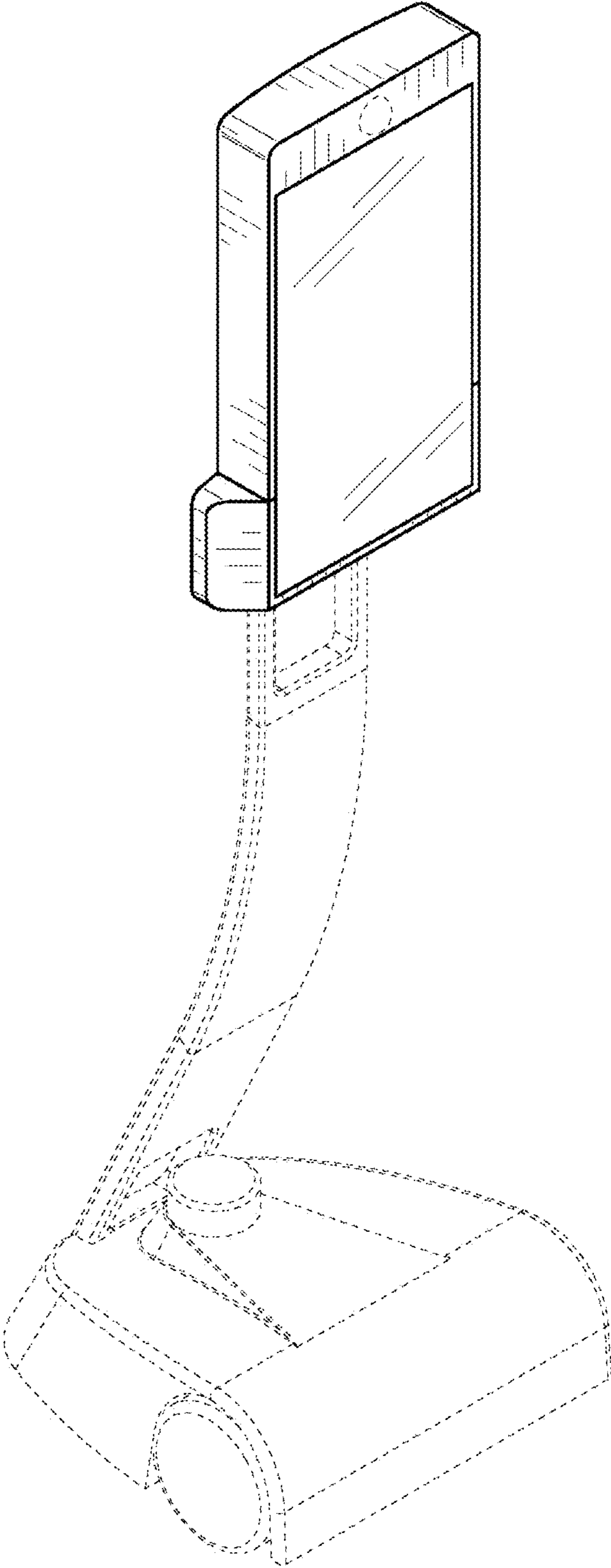
FIG. 13 shows a top right-side front perspective view of the second embodiment of the display assembly of our new design in an environment of a robot vehicle, the second embodiment showing the black surface color of the forward-facing portion of lower sides and the bottom portion of the display screen surround member; and,

FIG. 14 shows a bottom left-side front perspective view of the second embodiment of the display assembly of our new design in an environment of a robot vehicle, the second embodiment showing the black surface color of the forward-facing portion of lower sides and the bottom portion of the display screen surround member.

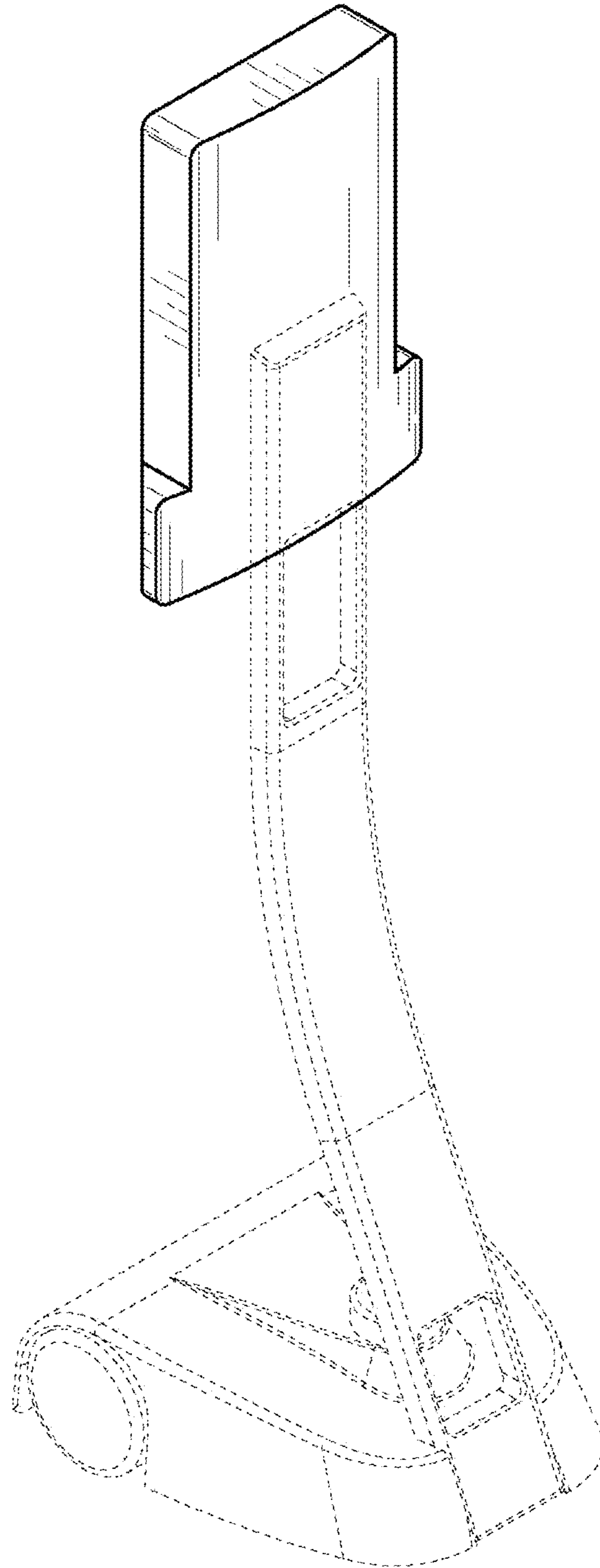
The broken or evenly-dashed lines are included to show structure of the display assembly in the drawings that form no part of the claimed design.

**1 Claim, 14 Drawing Sheets**

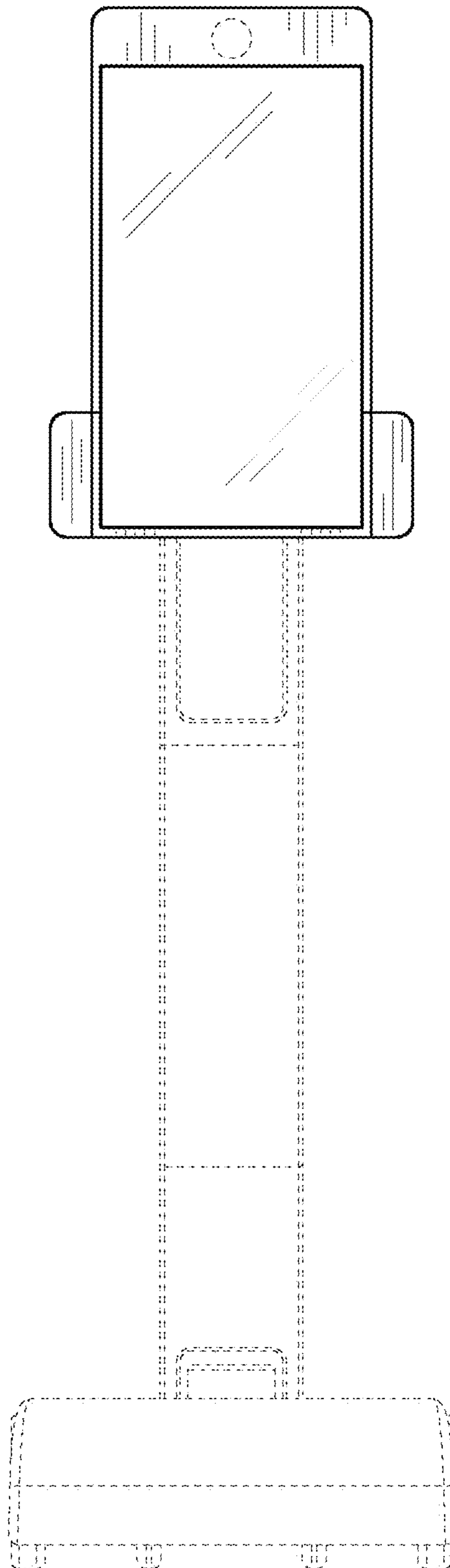
**FIG. 1**



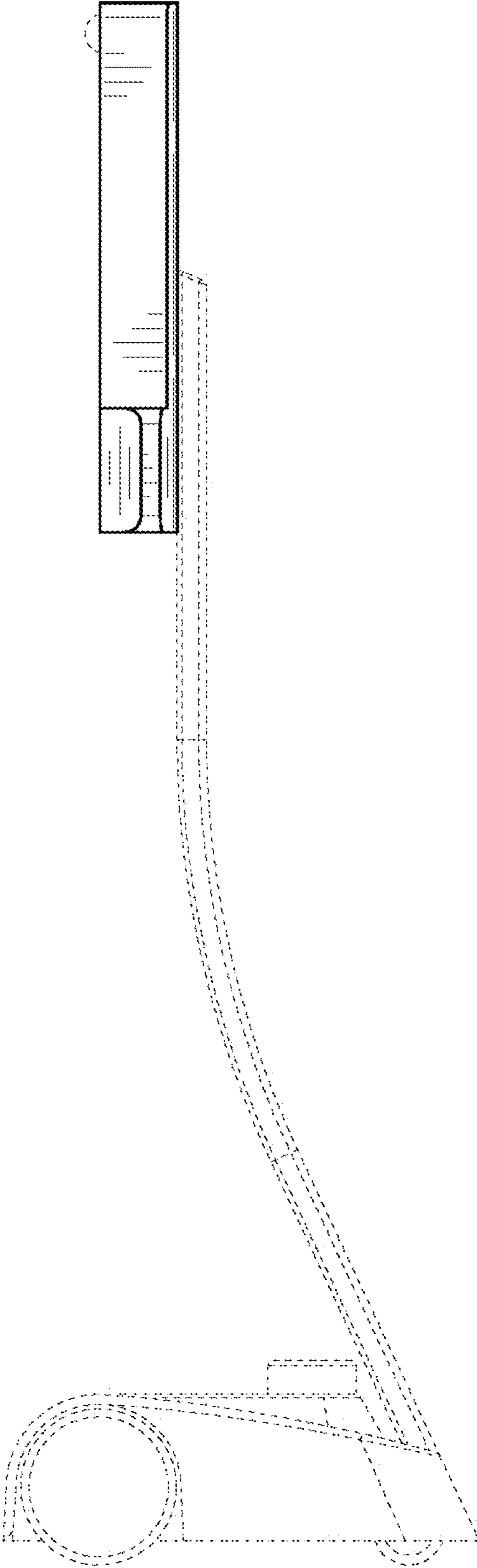
**FIG. 2**



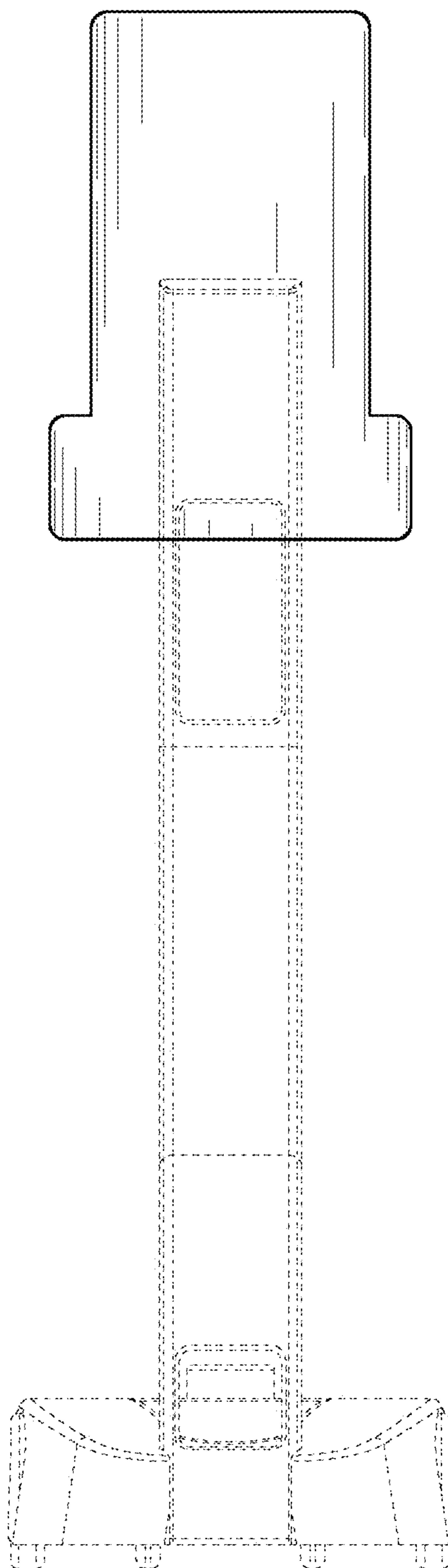
**FIG. 3**



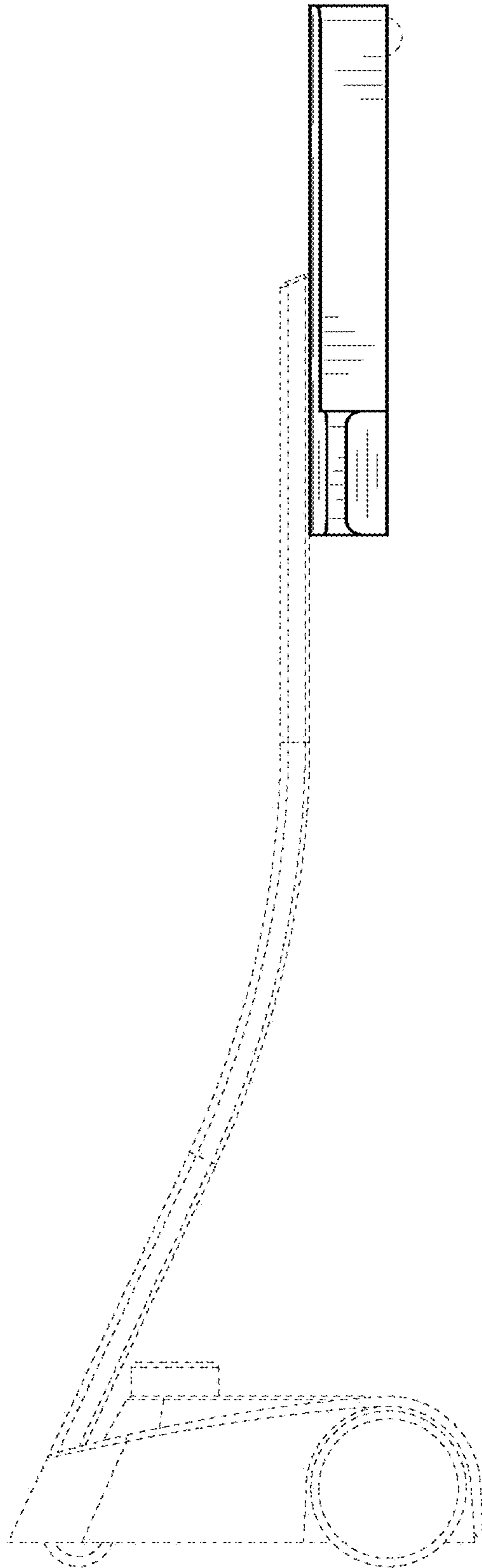
**FIG. 4**



**FIG. 5**

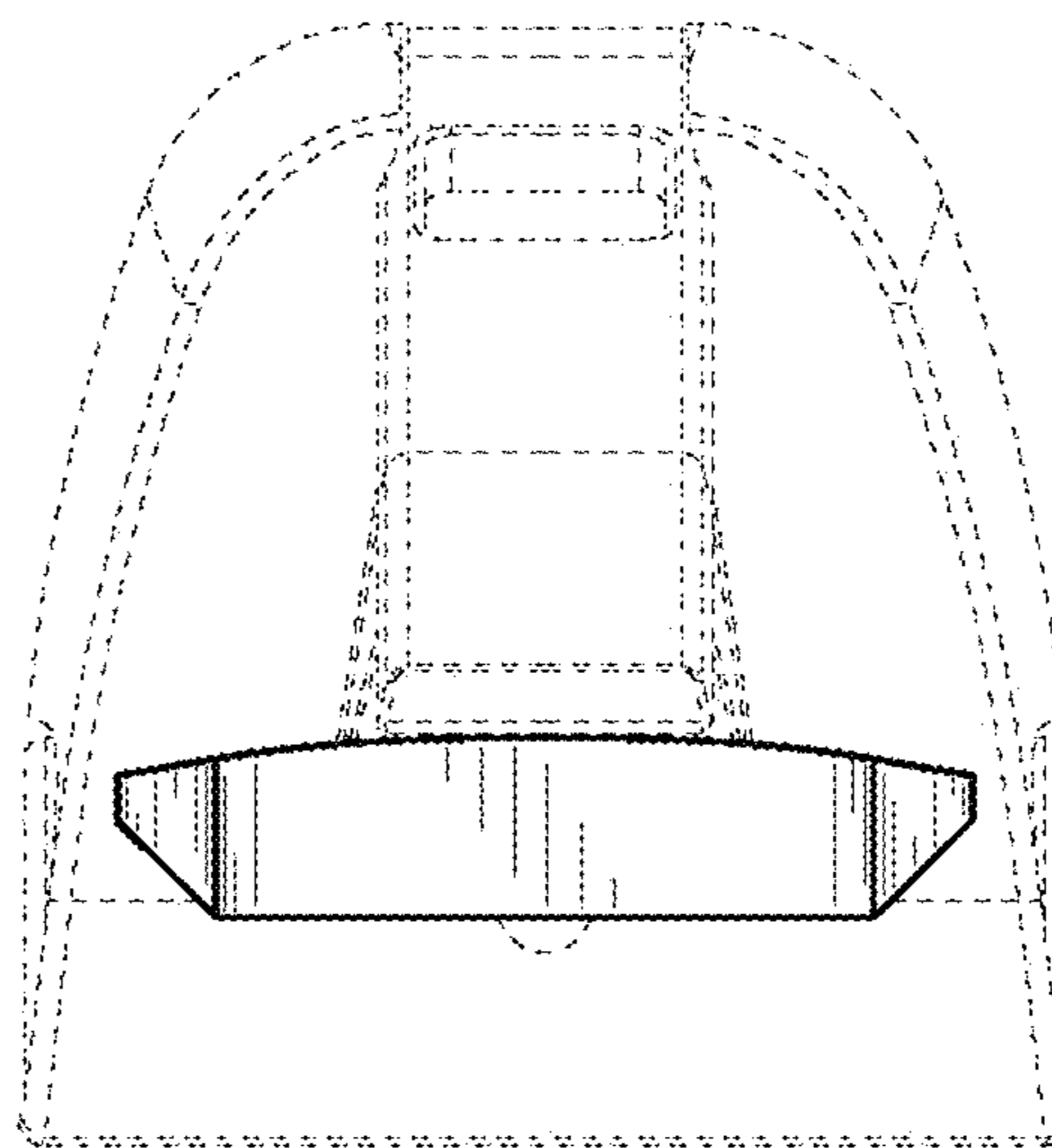


**FIG. 6**

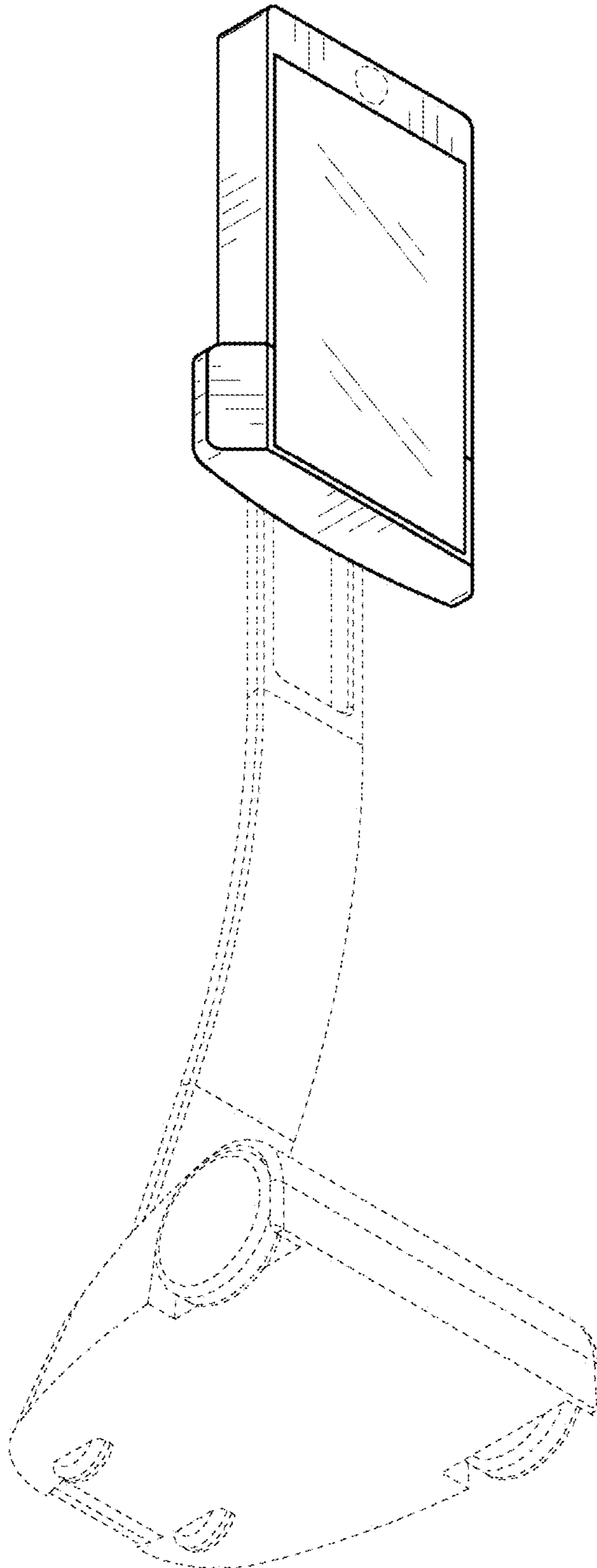




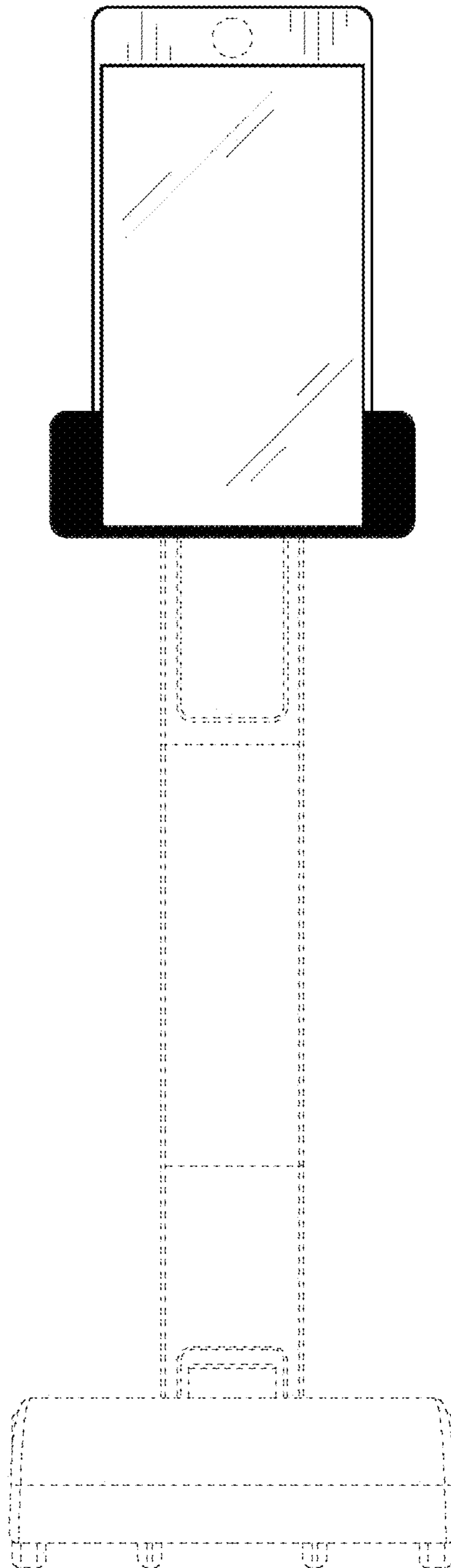
**FIG. 7**



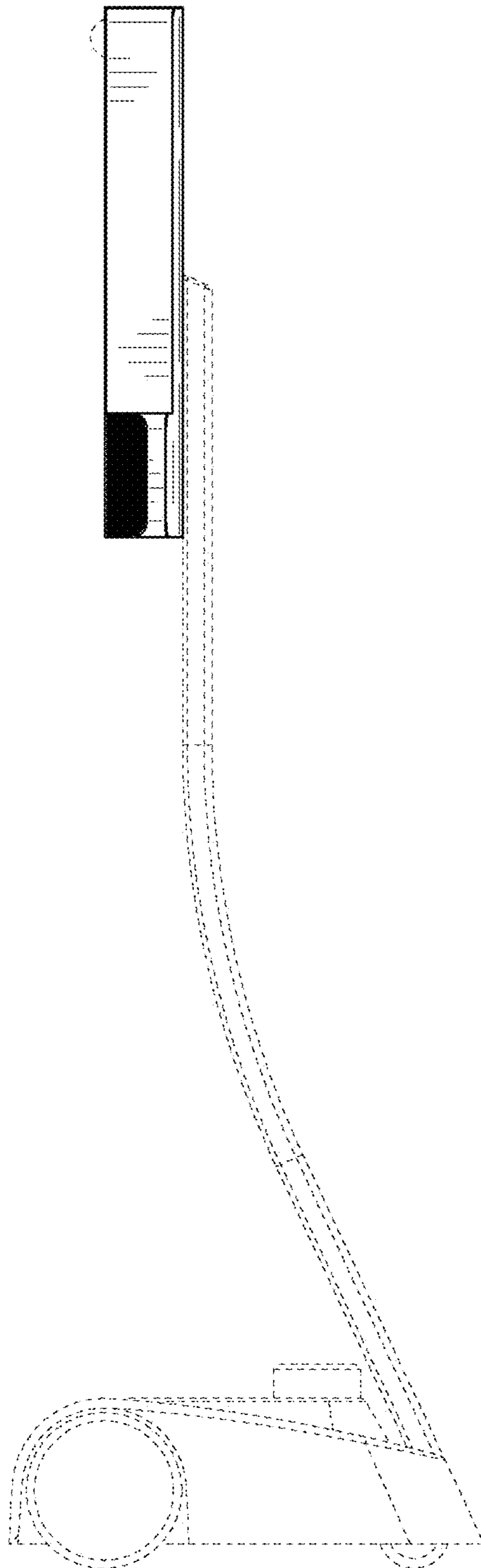
**FIG. 8**



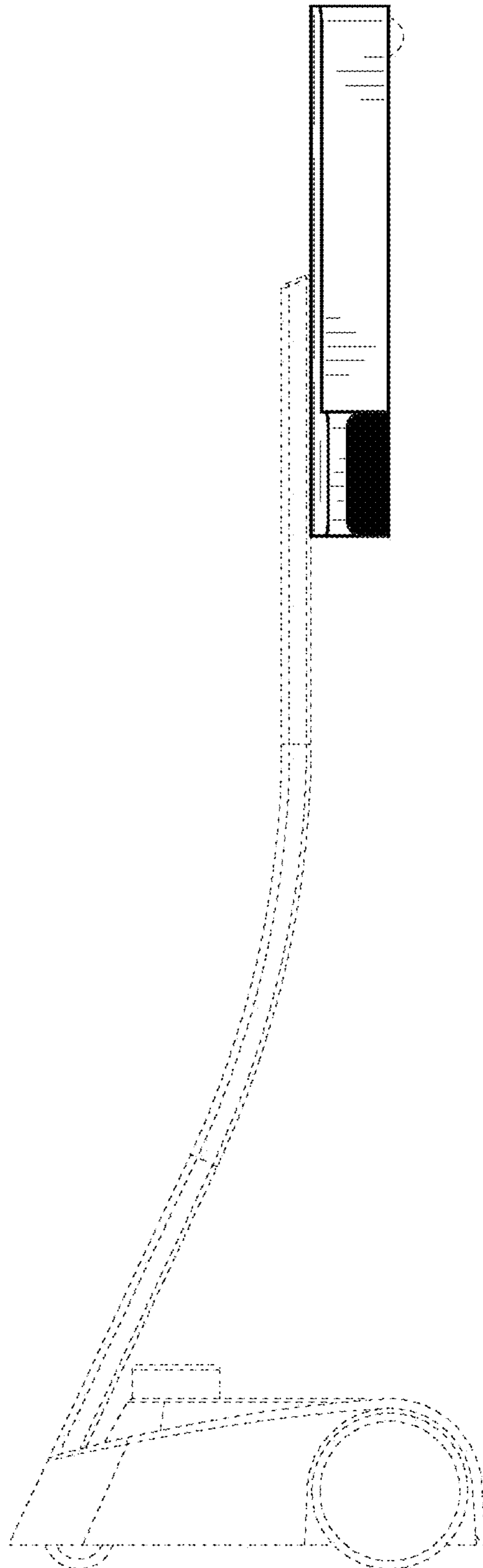
**FIG. 9**



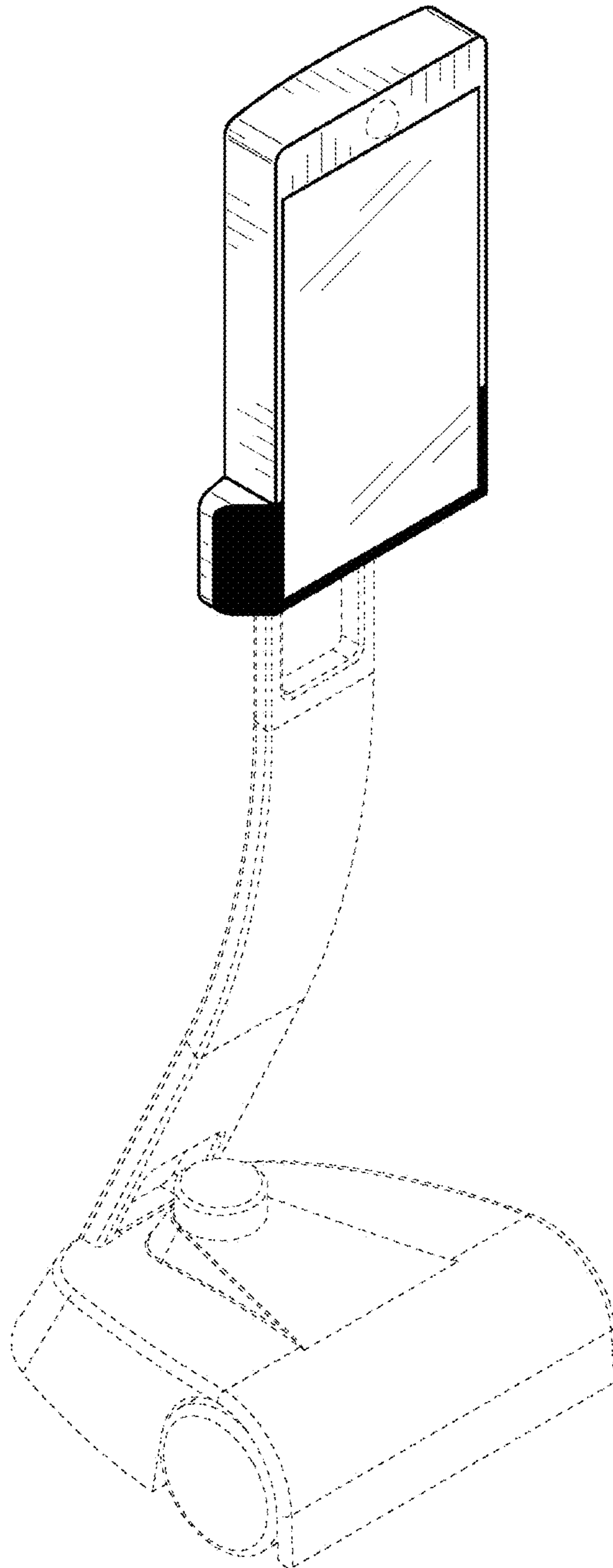
**FIG. 10**



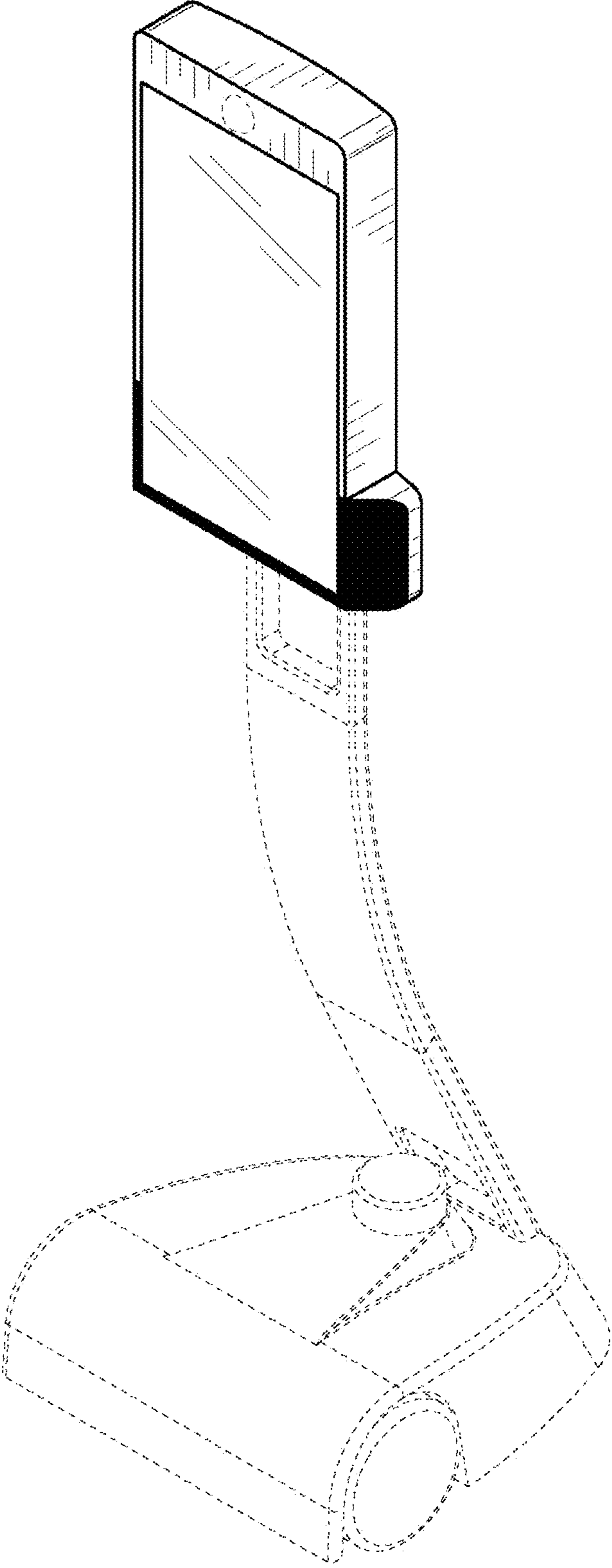
**FIG. 11**



**FIG. 12**



**FIG. 13**



**FIG. 14**

