



US00D978209S

(12) **United States Design Patent** (10) **Patent No.:** **US D978,209 S**  
**Ren** (45) **Date of Patent:** **\*\* Feb. 14, 2023**

(54) **VACUUM SEALER**  
(71) Applicant: **Zhongshan Xiaoshu Electrical Technology Co., Ltd., Zhongshan (CN)**  
(72) Inventor: **Huasong Ren, Zhongshan (CN)**  
(73) Assignee: **Zhongshan Xiaoshu Electrical Technology Co., Ltd., Zhongshan (CN)**  
(\*\*) Term: **15 Years**  
(21) Appl. No.: **29/786,359**  
(22) Filed: **May 31, 2021**  
(51) **LOC (14) Cl.** ..... **15-09**  
(52) **U.S. Cl.**  
USPC ..... **D15/146**  
(58) **Field of Classification Search**  
USPC ..... D15/145, 146, 122; D18/50  
CPC ..... B23C 63/0065; B23C 63/0091; B23C 63/1018; B65B 31/046; B65B 31/047; B65B 31/048; B65B 51/10  
See application file for complete search history.

7,204,067 B2 \* 4/2007 Baptista ..... B65B 51/146 53/434  
7,207,160 B2 \* 4/2007 Baptista ..... B65B 31/046 53/405  
7,392,641 B2 \* 7/2008 Abate ..... B65B 31/046 53/374.9  
7,540,127 B2 \* 6/2009 Sung ..... B65B 31/046 53/434  
D618,716 S \* 6/2010 Huang ..... D15/146  
D633,118 S \* 2/2011 Beatty ..... D15/146  
D663,331 S \* 7/2012 Day ..... D15/146  
D682,328 S \* 5/2013 Day ..... D15/146  
D682,329 S \* 5/2013 Day ..... D15/146  
D686,649 S \* 7/2013 Zhou ..... D15/146  
(Continued)

*Primary Examiner* — Patricia A Palasik  
(74) *Attorney, Agent, or Firm* — Hawaii Patent Services; Nathaniel K. Fedde

(57) **CLAIM**

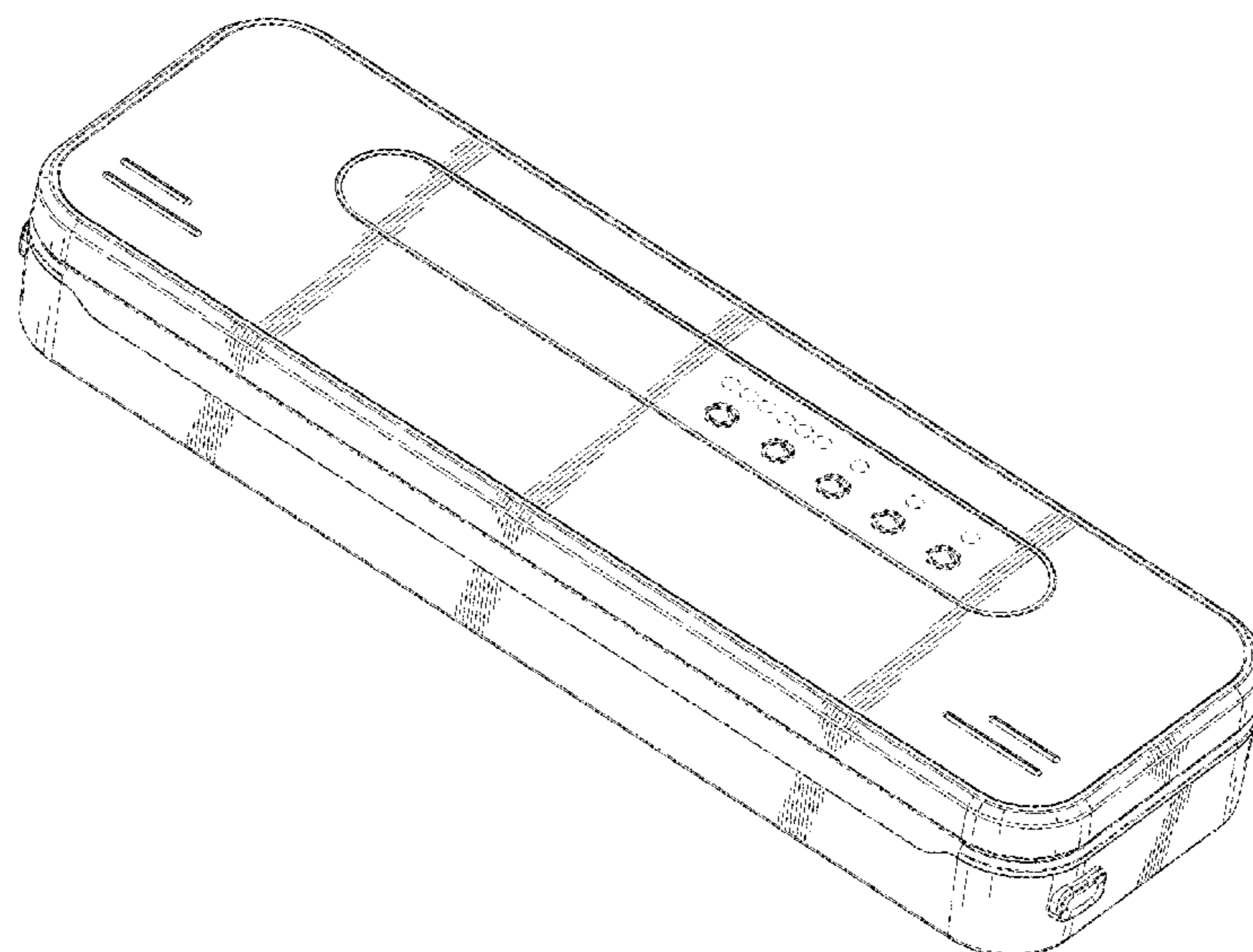
The ornamental design for a vacuum sealer, as shown and described.

**DESCRIPTION**

FIG. 1 is a perspective view of a vacuum sealer, showing my new design;  
FIG. 2 is another perspective view thereof;  
FIG. 3 is a front elevation view thereof;  
FIG. 4 is a rear elevation view thereof;  
FIG. 5 is a left side elevation view thereof;  
FIG. 6 is a right side elevation view thereof;  
FIG. 7 is a top plan view thereof;  
FIG. 8 is a bottom plan view thereof; and,  
FIG. 9 is another perspective view showing the vacuum sealer.  
Broken lines appearing in the various figures illustrate portions of the vacuum sealer that form no part of the claimed design.

**1 Claim, 9 Drawing Sheets**

(56) **References Cited**  
U.S. PATENT DOCUMENTS  
D215,568 S \* 10/1969 Kellogg ..... D15/146  
D249,526 S \* 9/1978 Kishida ..... D15/146  
4,156,382 A \* 5/1979 Baker ..... B29C 66/861 156/510  
4,561,925 A \* 12/1985 Skerjanec ..... B29C 66/861 156/379.6  
D301,238 S \* 5/1989 Makihara ..... D15/146  
4,941,310 A \* 7/1990 Kristen ..... B65B 31/046 53/512  
D354,966 S \* 1/1995 Lim ..... D15/145  
D510,369 S \* 10/2005 Presta ..... D15/146  
7,003,928 B2 \* 2/2006 Patterson ..... B65B 31/06 53/405  
7,124,557 B2 \* 10/2006 Small ..... B65B 31/046 53/510  
D536,355 S \* 2/2007 Levsen ..... D15/146



(56)

**References Cited**

U.S. PATENT DOCUMENTS

D694,794 S *	12/2013	Cumming .....	D15/146
D763,334 S *	8/2016	Yoshitomi .....	D15/146
D854,065 S *	7/2019	Owens .....	D15/146
D866,624 S *	11/2019	Choi .....	D15/146
D871,470 S *	12/2019	Xu .....	D15/146
D910,100 S *	2/2021	Qiu .....	D15/146
D910,726 S *	2/2021	Sun .....	D15/146
D912,710 S *	3/2021	Choi .....	D15/146
D936,717 S *	11/2021	Chen .....	D15/146
2005/0022480 A1 *	2/2005	Brakes .....	B65B 31/00 53/512

\* cited by examiner

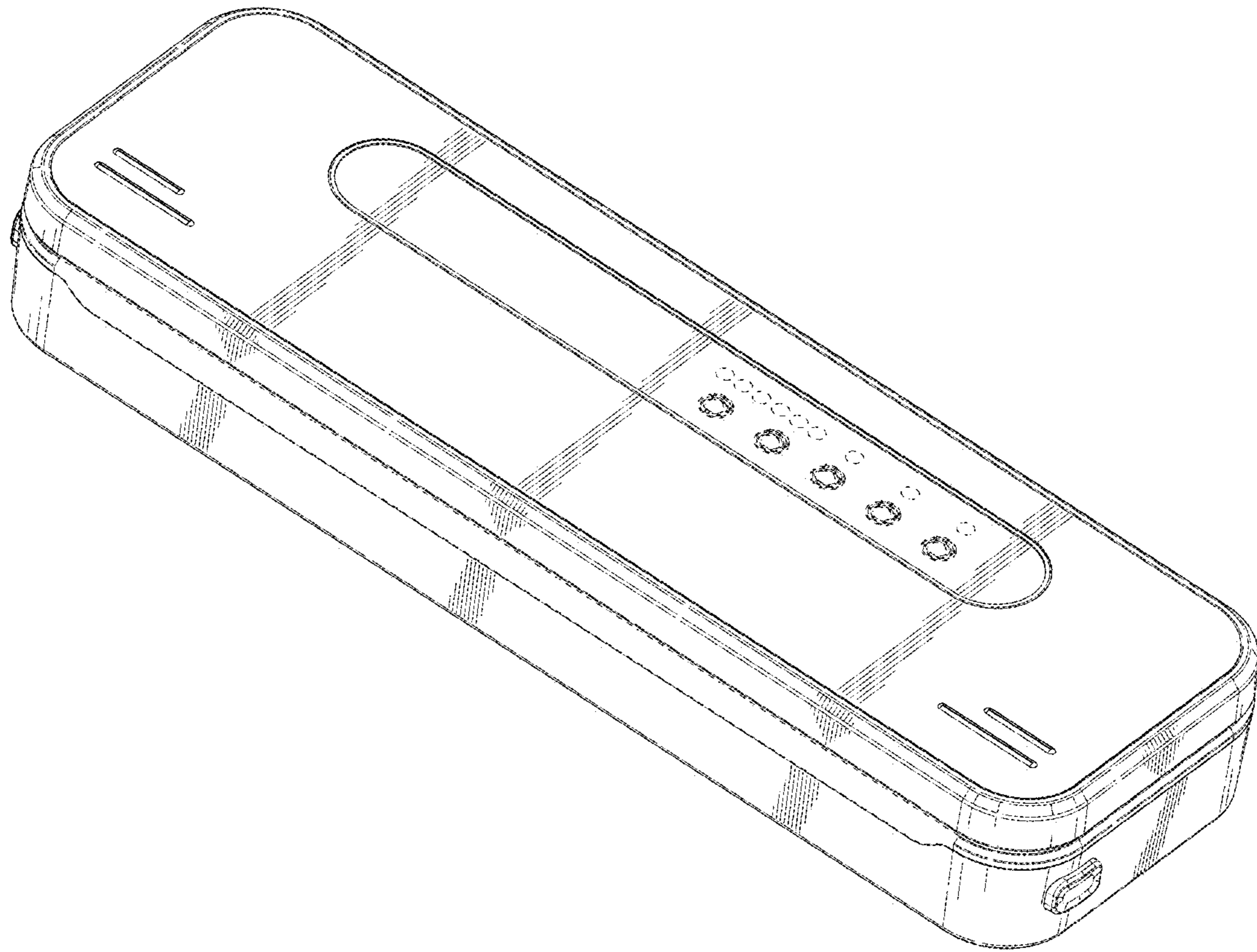


FIG.1

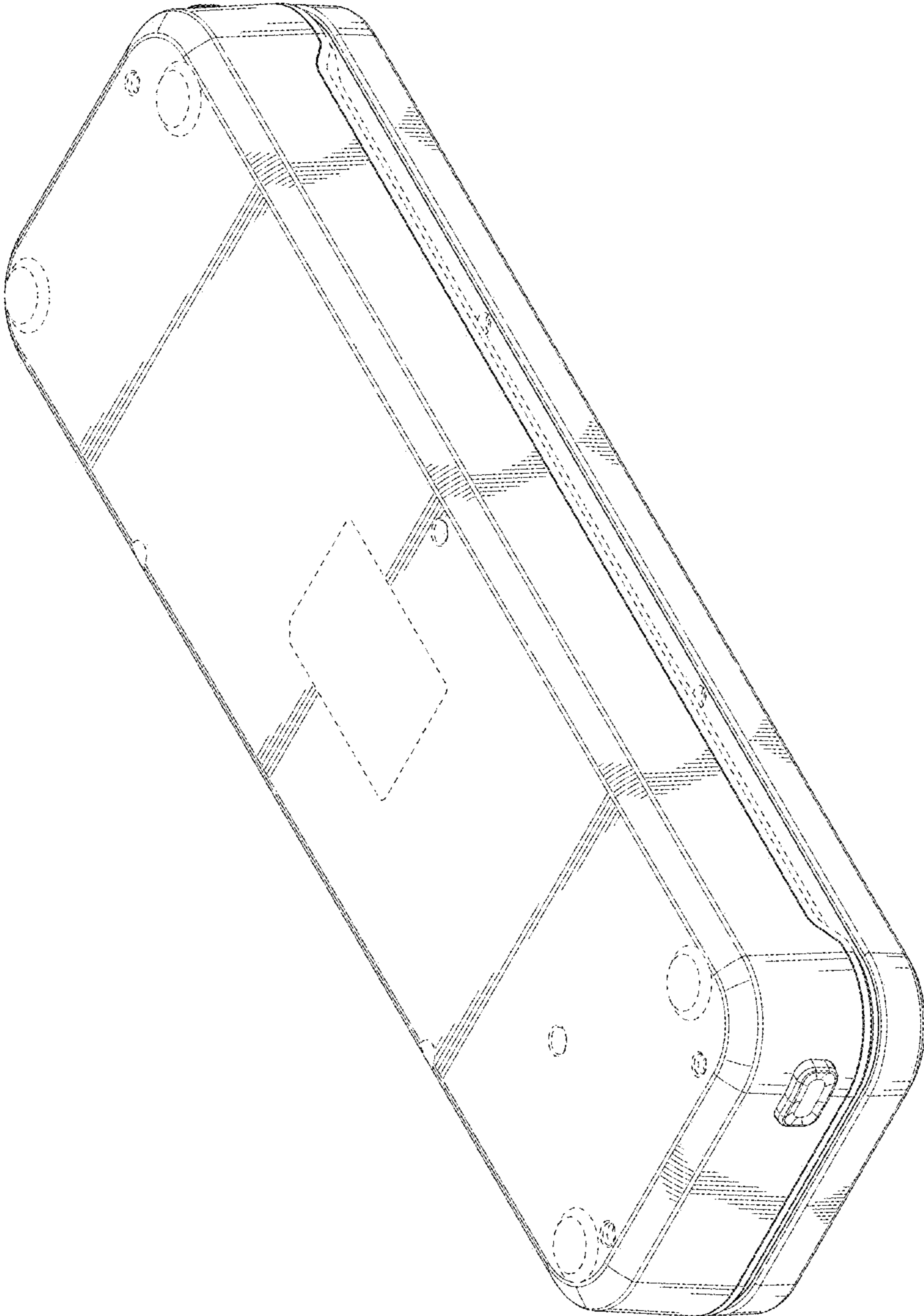


FIG.2

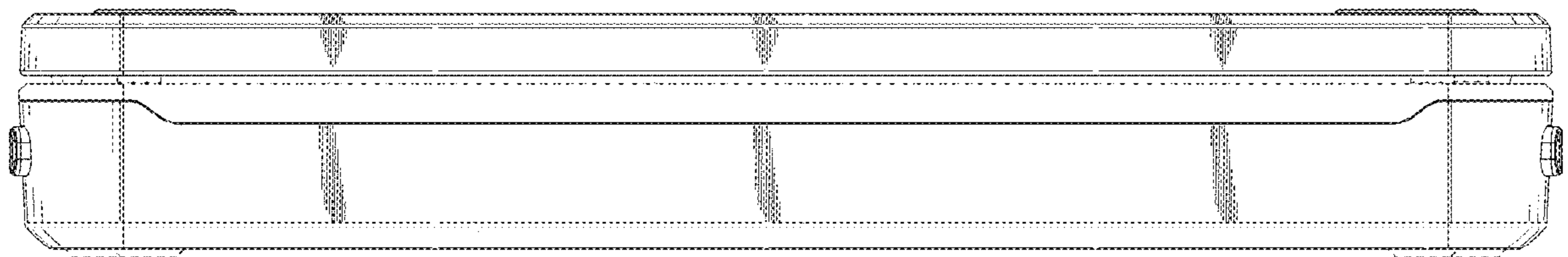


FIG.3

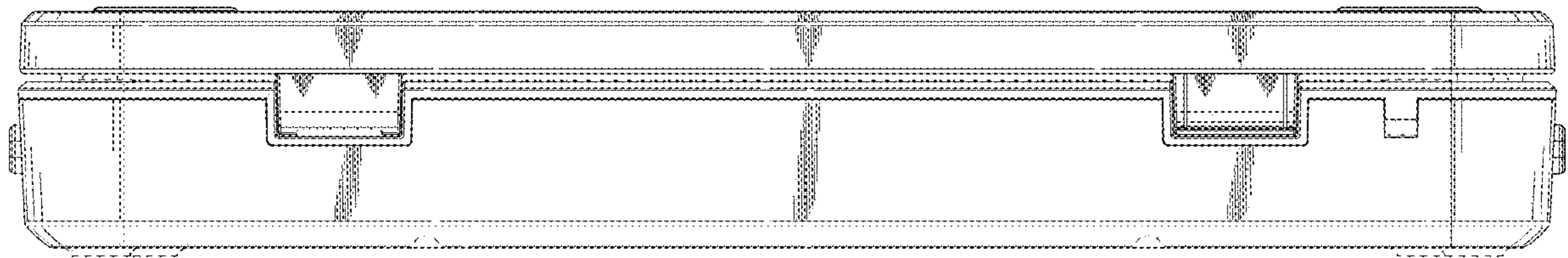


FIG.4

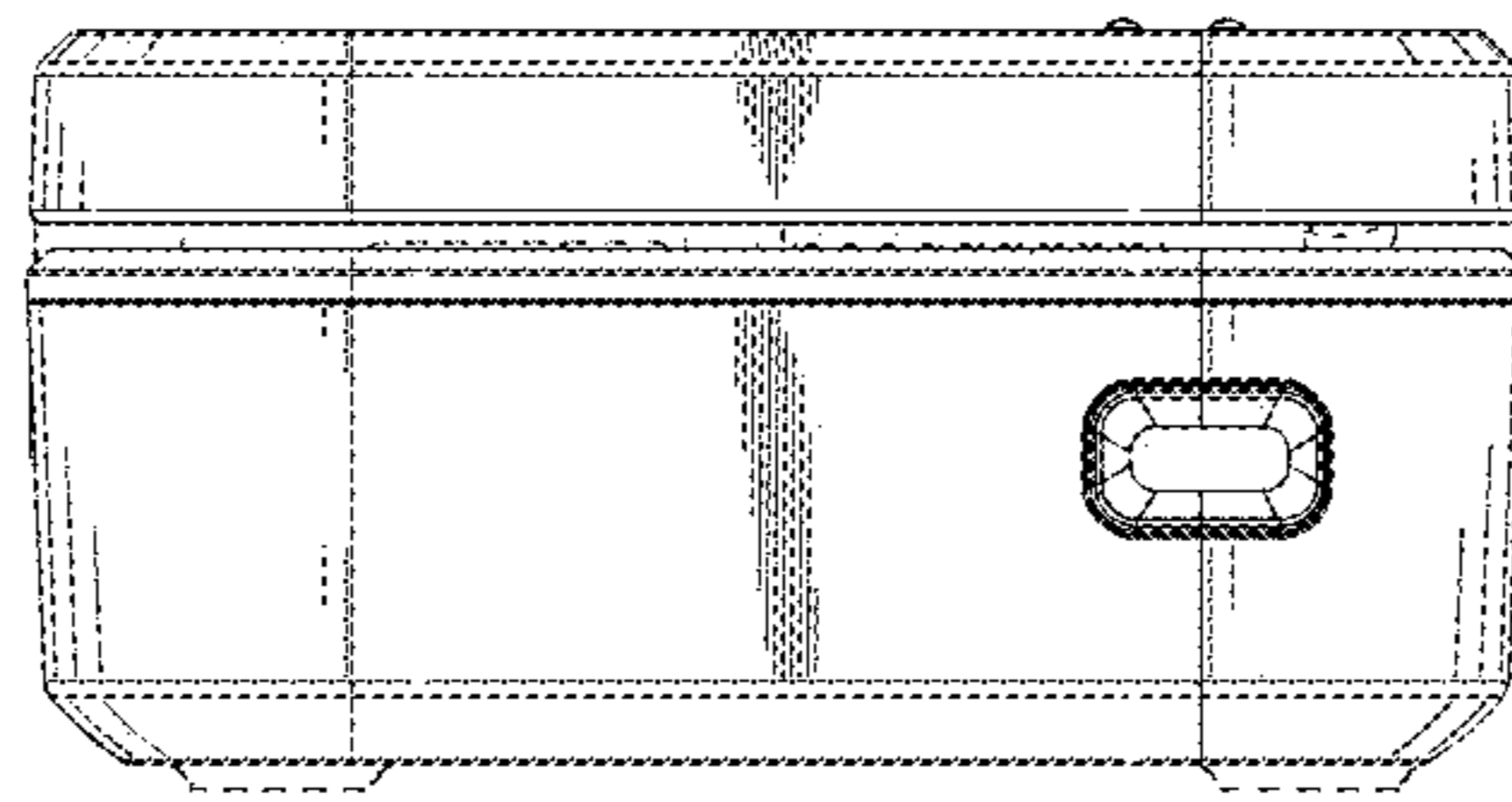


FIG.5

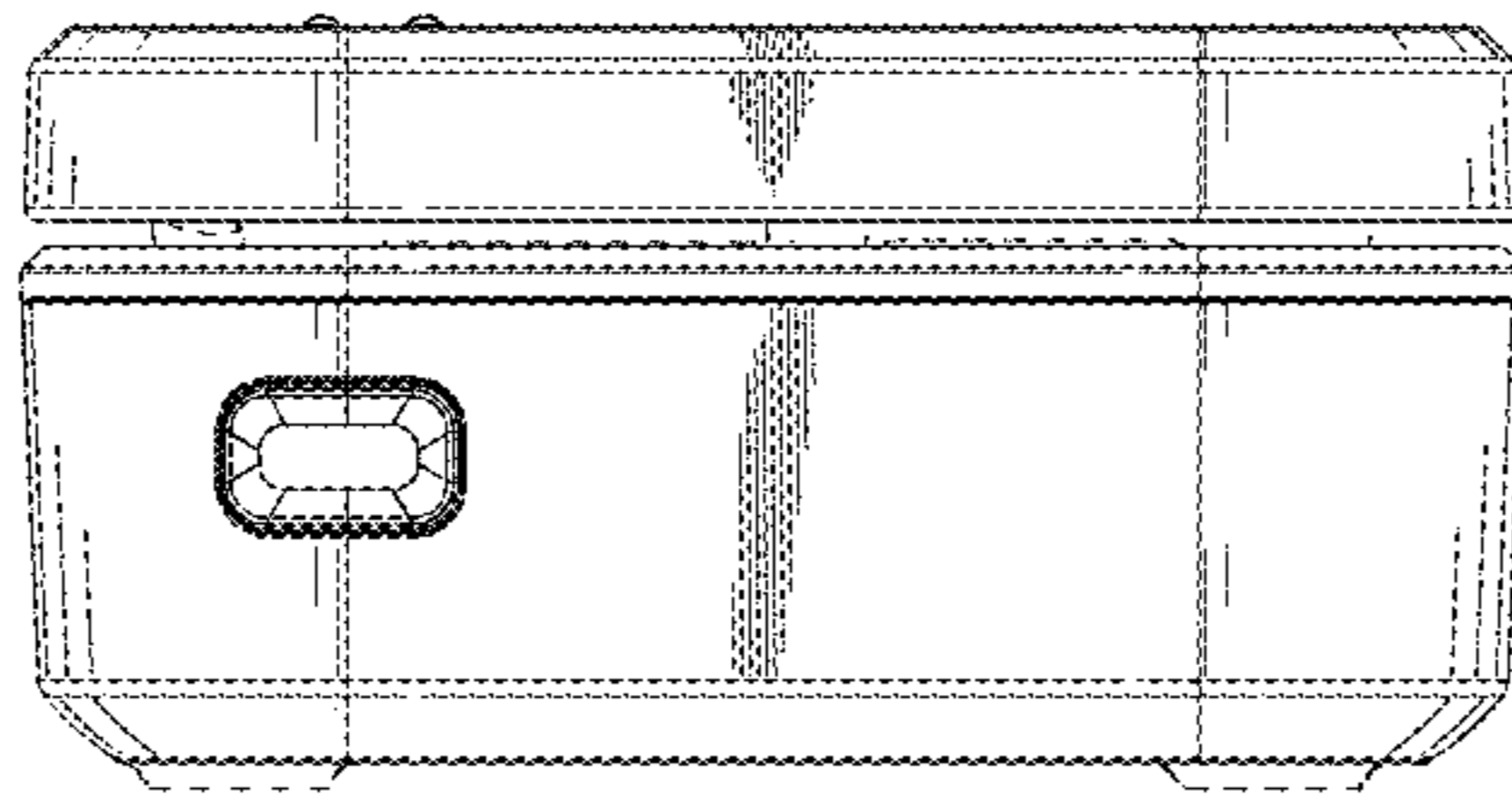


FIG.6



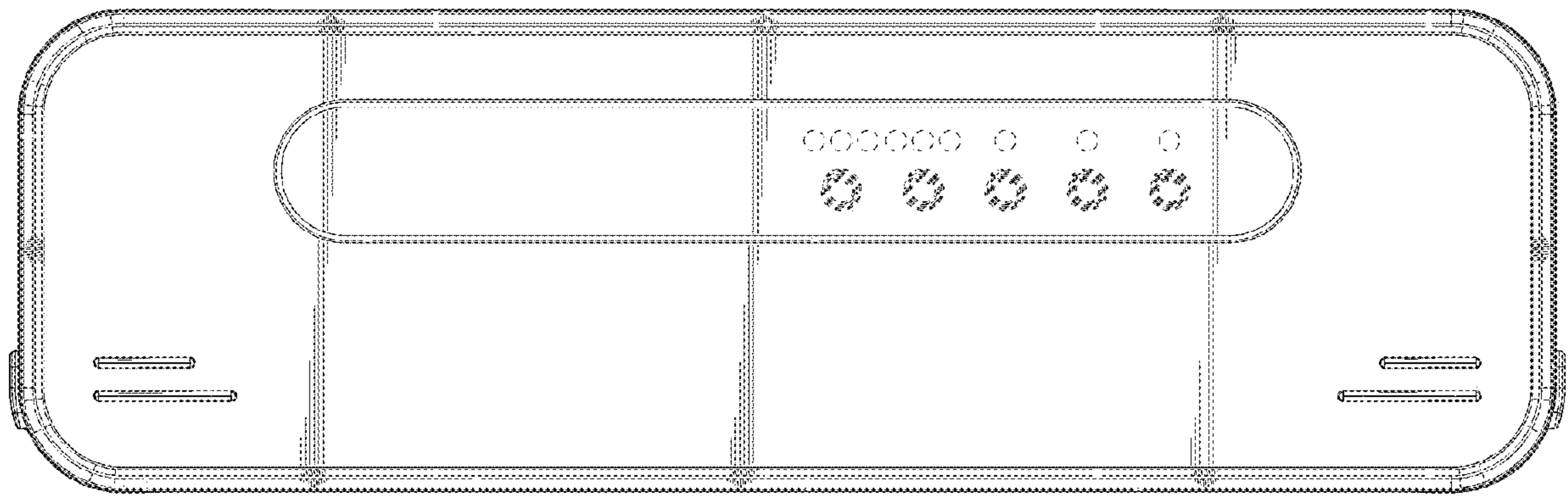


FIG.7

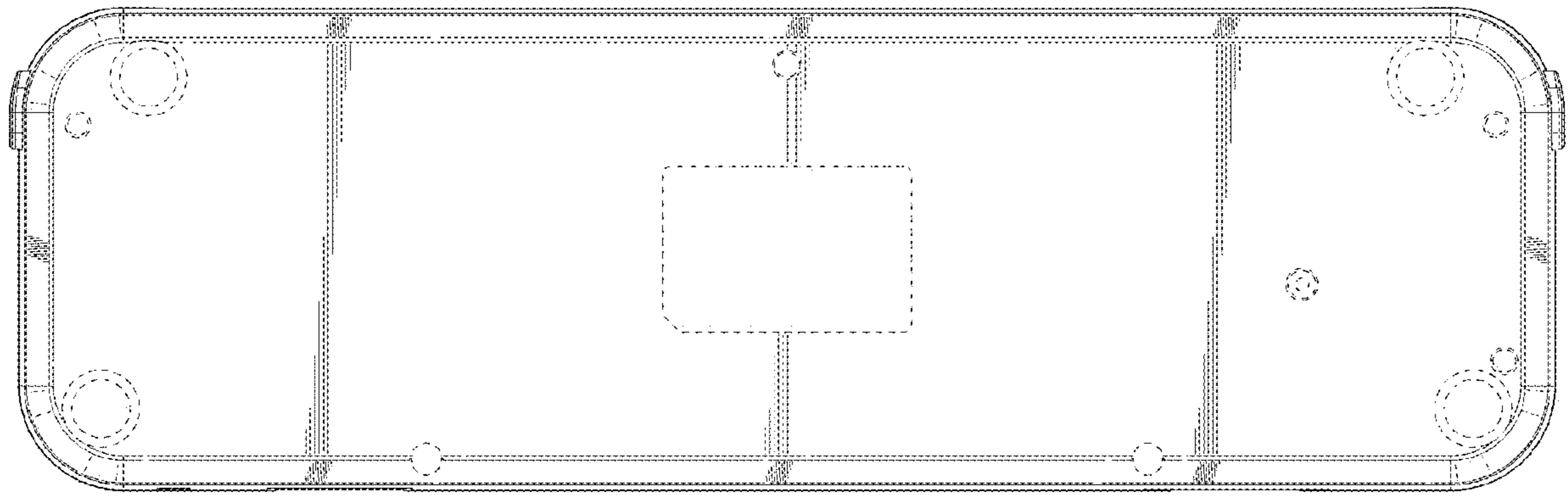


FIG.8

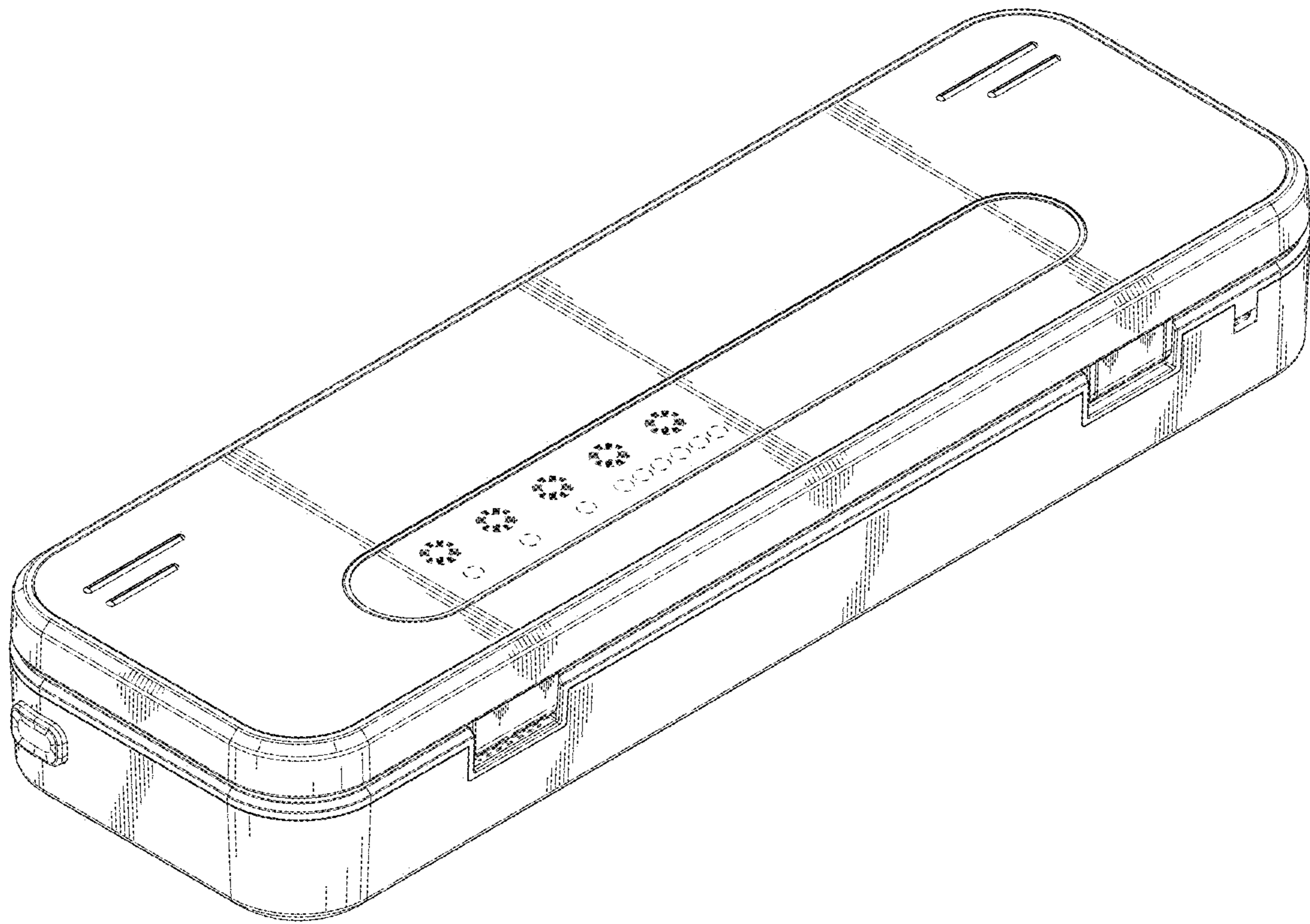


FIG.9