



US00D978208S

(12) **United States Design Patent**
Kim et al.

(10) **Patent No.:** **US D978,208 S**
(45) **Date of Patent:** **** Feb. 14, 2023**

(54) **CUTTING INSERT FOR MACHINE TOOLS FOR METALWORKING**

(71) Applicant: **KORLOY INC.**, Seoul (KR)

(72) Inventors: **Sung Hun Kim**, Cheongju-si (KR);
Young Heum Kim, Cheongju-si (KR);
Byung Hoon Min, Cheongju-si (KR)

(**) Term: **15 Years**

(21) Appl. No.: **35/512,442**

(22) Filed: **May 10, 2021**

(80) **Hague Agreement Data**

Int. Filing Date: **May 10, 2021**
Int. Reg. No.: **DM/215863**
Int. Reg. Date: **May 10, 2021**
Int. Reg. Pub. Date: **Aug. 27, 2021**

(30) **Foreign Application Priority Data**

Mar. 29, 2021 (KR) 30-2021-0014927

(51) **LOC (14) Cl.** **15-09**

(52) **U.S. Cl.**
USPC **D15/139**

(58) **Field of Classification Search**

USPC D8/70, 78; D15/122, 127, 131, 132, 139
CPC .. B23C 5/14; B23C 5/20; B23C 5/202; B23C
5/207; B23C 5/08; Y10T 407/1924; Y10T
407/235

See application file for complete search history.

(56) **References Cited**

U.S. PATENT DOCUMENTS

D280,514 S * 9/1985 Porat D15/139
D359,057 S * 6/1995 Niebauer D15/139
D363,727 S * 10/1995 DeRoche D15/139
D366,882 S * 2/1996 Wiman D15/139

D389,497 S * 1/1998 Muren D15/139
D389,846 S * 1/1998 Muren D15/139
D401,948 S * 12/1998 Reiterman D15/139
D413,612 S * 9/1999 Hartlohner D15/139
D413,908 S * 9/1999 Kasperik D15/139
D416,917 S * 11/1999 Xie D15/139
D423,024 S * 4/2000 Hartlohner D15/139
D424,074 S * 5/2000 Nelson D15/139
D426,245 S * 6/2000 Bernadic D15/139
D426,562 S * 6/2000 Kasperik D15/139
D426,839 S * 6/2000 Morrison D15/139
D430,178 S * 8/2000 Hartlohner D15/139
D434,051 S * 11/2000 Kasperik D15/139
D436,608 S * 1/2001 Hartlohner D15/139
D448,393 S * 9/2001 Hartlohner D15/139
D487,757 S * 3/2004 Kasperik D15/139
D487,758 S * 3/2004 Kasperik D15/139
D487,901 S * 3/2004 Kasperik D15/139
D488,175 S * 4/2004 Kasperik D15/139
D488,491 S * 4/2004 Kasperik D15/139

(Continued)

Primary Examiner — Michael C Stout

Assistant Examiner — Fritzgerald L Butac

(74) *Attorney, Agent, or Firm* — Rabin & Berdo, P.C.

(57) **CLAIM**

The ornamental design for a cutting insert for machine tools for metalworking, as shown and described.

DESCRIPTION

1. Cutting insert for machine tools for metalworking

1.1 : Perspective

1.2 : Front

1.3 : Back

1.4 : Top

1.5 : Bottom

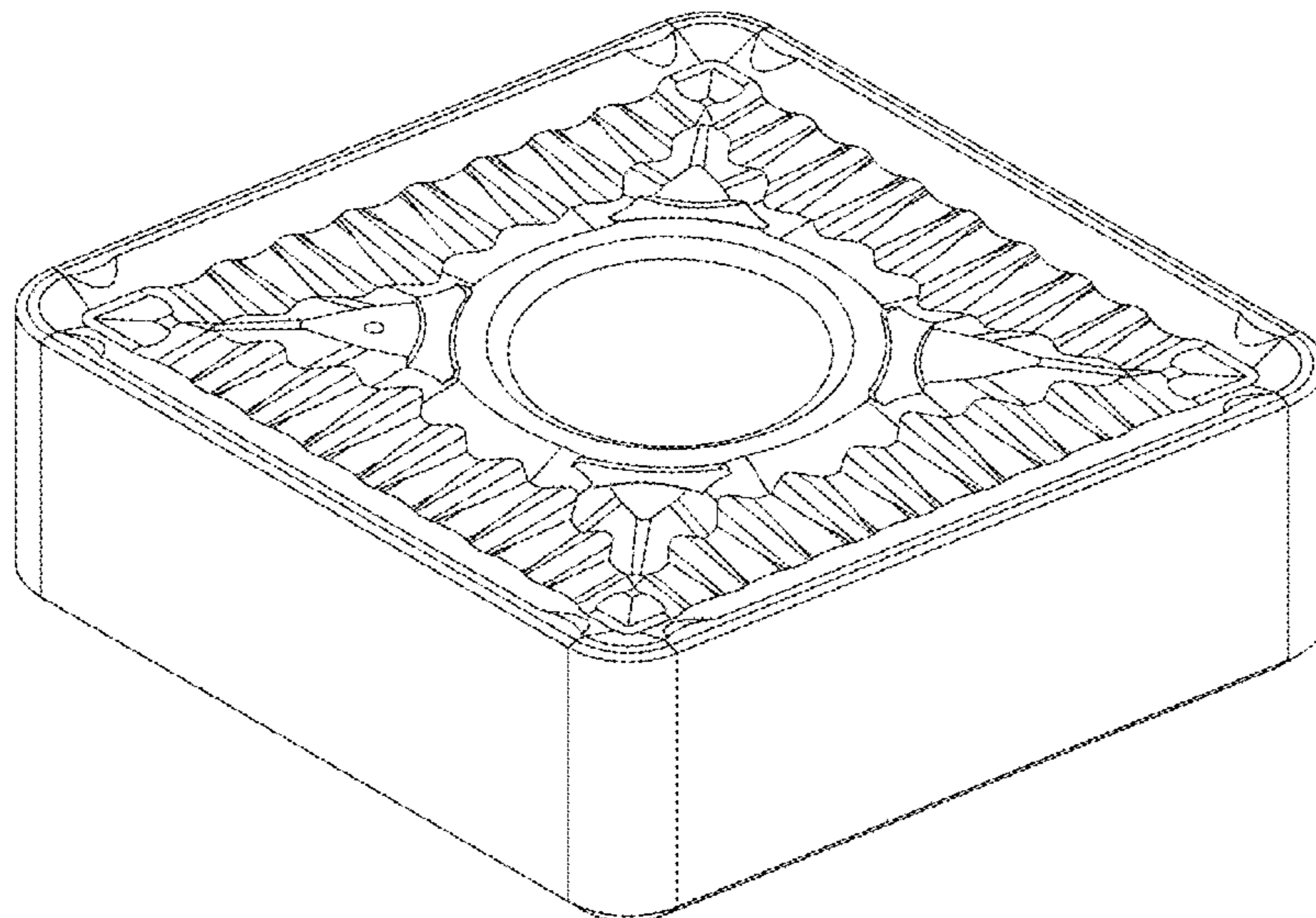
1.6 : Left

1.7 : Right

The claimed design has a central hole.

The broken lines show portions of a cutting insert for machine tools for metalworking that form no part of the claimed design.

1 Claim, 7 Drawing Sheets



(56)

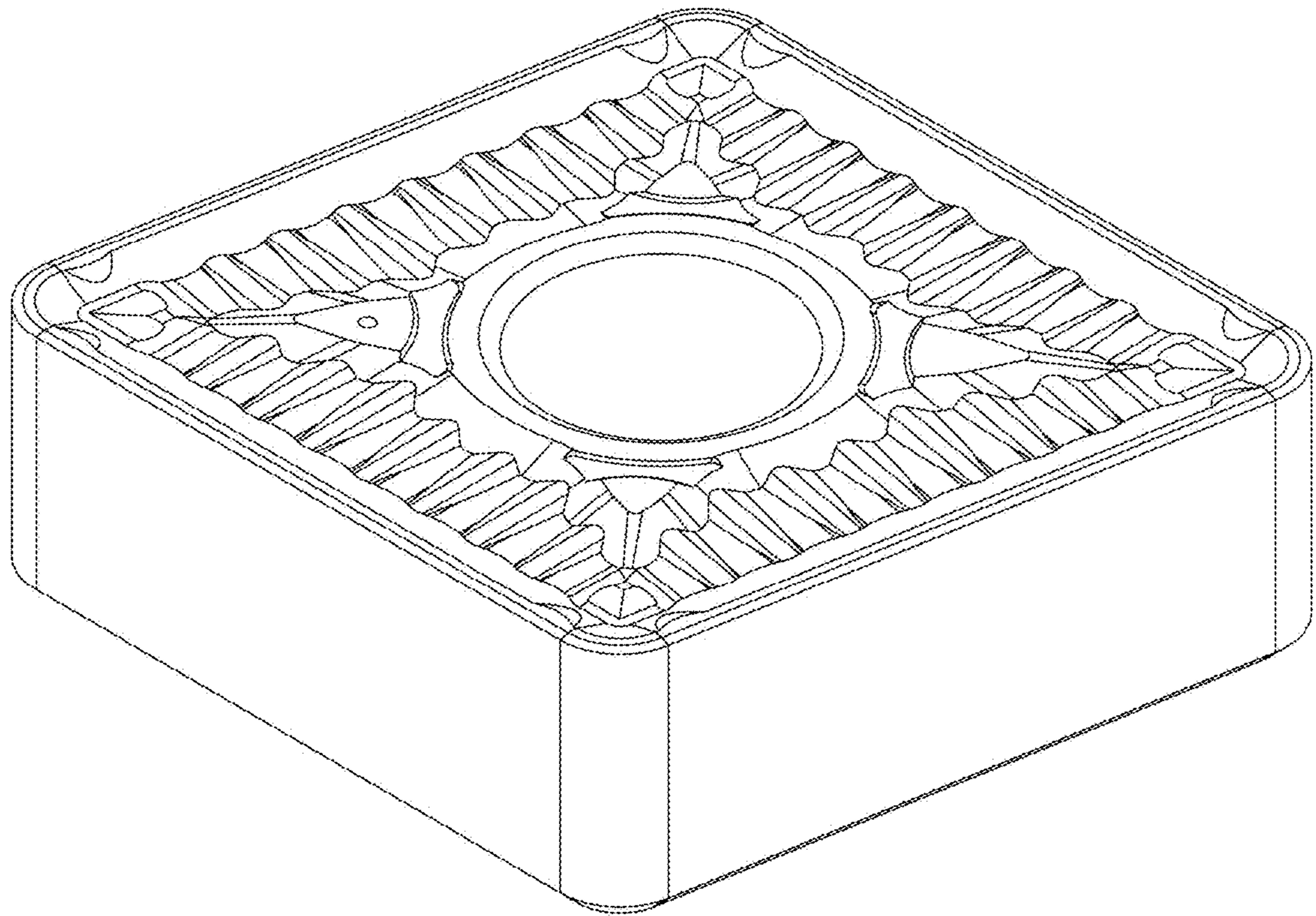
References Cited

U.S. PATENT DOCUMENTS

D488,492	S	*	4/2004	Kasperik	D15/139
D496,949	S	*	10/2004	Waggle	D15/139
D497,371	S	*	10/2004	Waggle	D15/139
6,957,935	B2	*	10/2005	Sung	B23C 5/202 407/113
D523,039	S	*	6/2006	Niebauer	D15/139
D523,040	S	*	6/2006	Niebauer	D15/139
D573,164	S	*	7/2008	Nitzsche	D15/139
D603,433	S	*	11/2009	Zastrozynski	D15/139
D636,418	S	*	4/2011	Chen	D15/139
D638,452	S	*	5/2011	Morrison	D15/139
D786,325	S	*	5/2017	Jeong	D15/139
D786,952	S	*	5/2017	Jeong	D15/139
D794,103	S	*	8/2017	Jeong	D15/139
D804,552	S	*	12/2017	Lee	B23C 5/00 D15/139
D805,566	S	*	12/2017	Oh	B25C 5/06 D15/139
D822,080	S	*	7/2018	Oh	B23C 5/202 D15/139
10,493,535	B2	*	12/2019	An	B23B 27/143
D923,676	S	*	6/2021	Kim	B23C 5/06 D15/139
D927,571	S	*	8/2021	Shin	B23C 5/202 D15/139
D927,572	S	*	8/2021	Nam	B23C 5/202 D15/139
D927,573	S	*	8/2021	Kim	B23C 5/202 D15/139
D956,835	S	*	7/2022	Kim	B23C 5/2213 D15/139

* cited by examiner

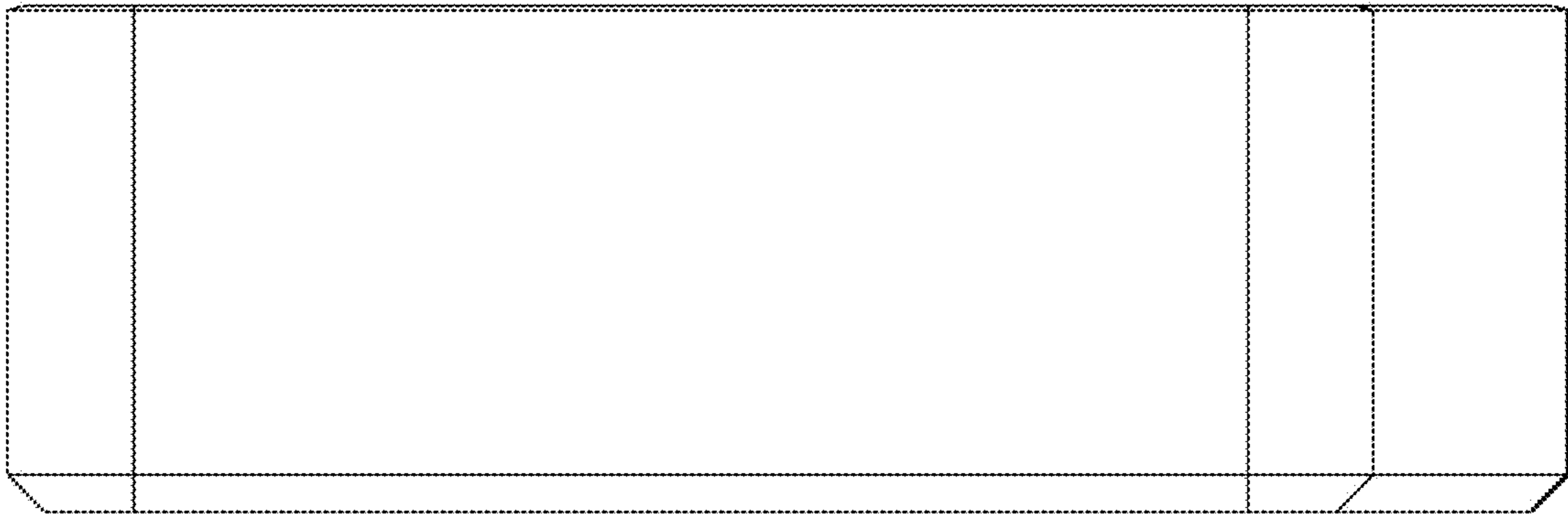
1.1



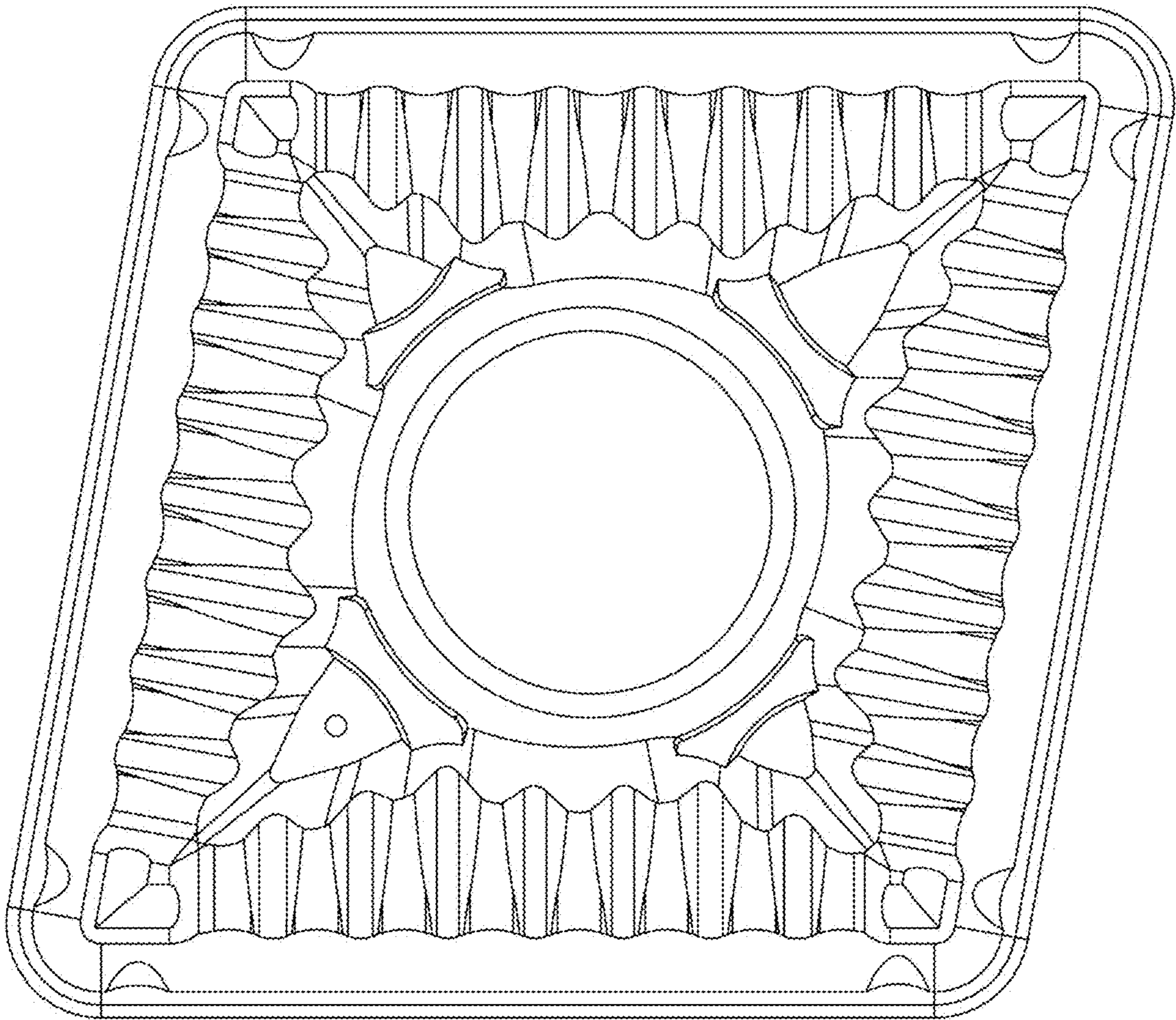
1.2



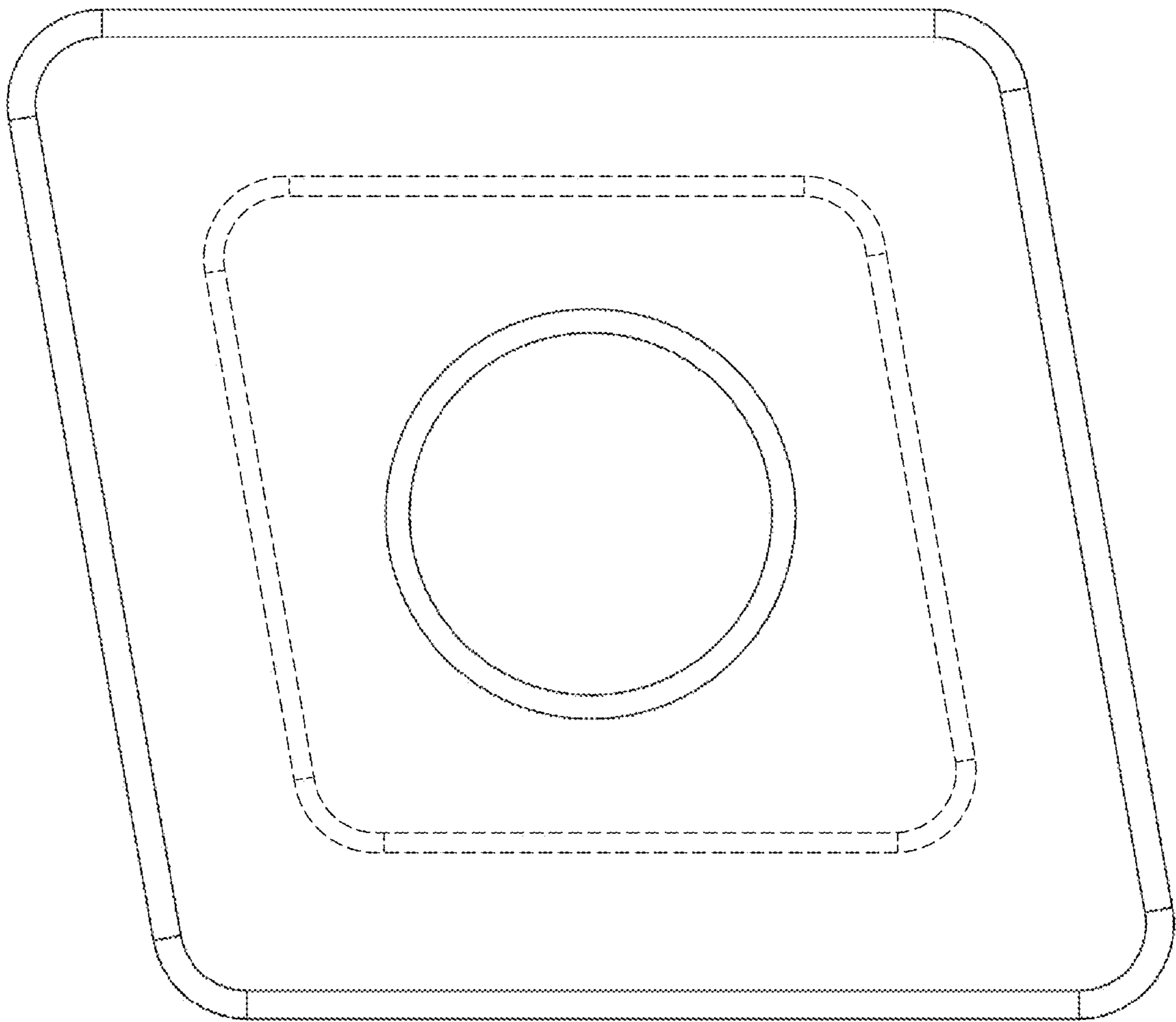
1.3



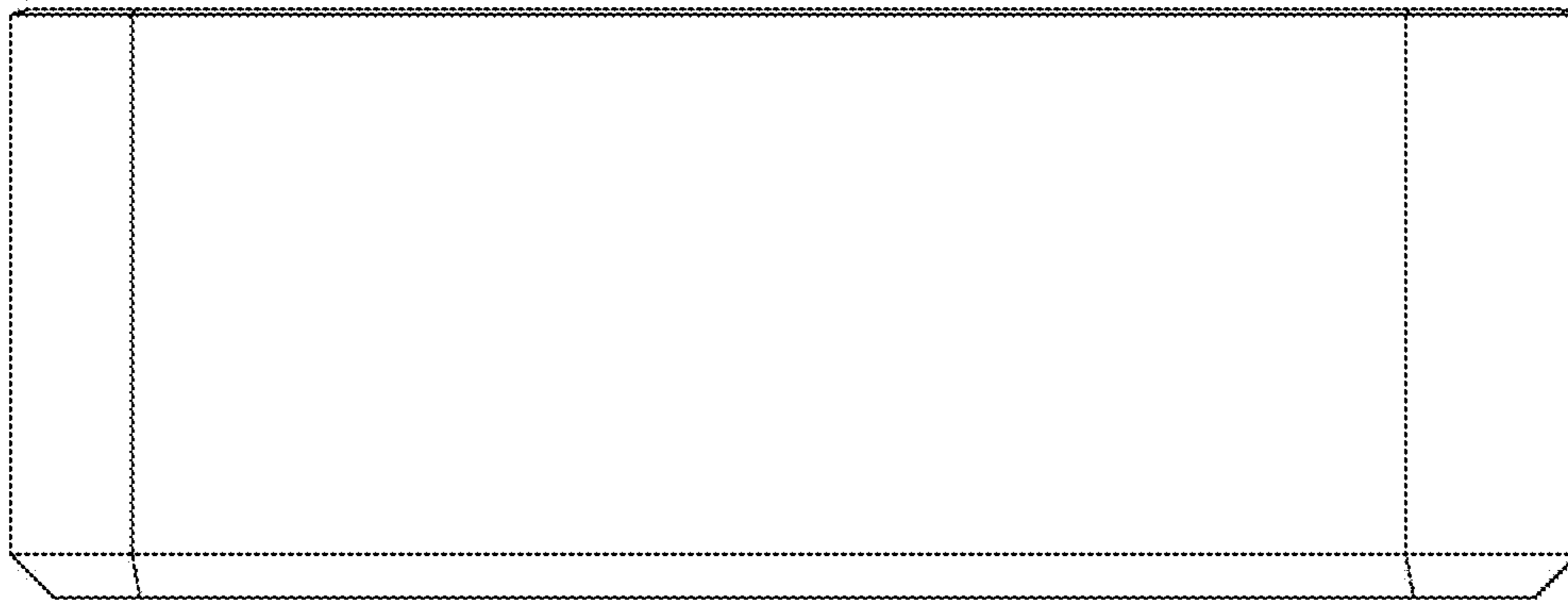
1.4



1.5



1.6



1.7

