



US00D978207S

(12) **United States Design Patent** (10) **Patent No.:** **US D978,207 S**  
**Kim et al.** (45) **Date of Patent:** **\*\* Feb. 14, 2023**

(54) **CUTTING INSERT FOR MACHINE TOOLS FOR METALWORKING**

(71) Applicant: **KORLOY INC.**, Seoul (KR)

(72) Inventors: **Sung Hun Kim**, Cheongju-si (KR);  
**Young Heum Kim**, Cheongju-si (KR);  
**Byung Hoon Min**, Cheongju-si (KR)

(\*\*) Term: **15 Years**

(21) Appl. No.: **35/512,438**

(22) Filed: **May 10, 2021**

(80) **Hague Agreement Data**

Int. Filing Date: **May 10, 2021**  
Int. Reg. No.: **DM/215862**  
Int. Reg. Date: **May 10, 2021**  
Int. Reg. Pub. Date: **Aug. 27, 2021**

(30) **Foreign Application Priority Data**

Mar. 29, 2021 (KR) ..... 30-2021-0014928

(51) **LOC (14) Cl.** ..... **15-09**

(52) **U.S. Cl.**  
USPC ..... **D15/139**

(58) **Field of Classification Search**

USPC ..... D8/70, 78; D15/122, 127, 131, 132, 139  
CPC .. B23C 5/14; B23C 5/20; B23C 5/202; B23C  
5/207; B23C 5/08; Y10T 407/1924; Y10T  
407/235

See application file for complete search history.

(56) **References Cited**

**U.S. PATENT DOCUMENTS**

D280,514 S \* 9/1985 Porat ..... D15/139  
D359,057 S \* 6/1995 Niebauer ..... D15/139  
D363,727 S \* 10/1995 DeRoche ..... D15/139  
D366,882 S \* 2/1996 Wiman ..... D15/139

D389,497 S \* 1/1998 Muren ..... D15/139  
D389,846 S \* 1/1998 Muren ..... D15/139  
D401,948 S \* 12/1998 Reiterman ..... D15/139  
D413,612 S \* 9/1999 Hartlohner ..... D15/139  
D413,908 S \* 9/1999 Kasperik ..... D15/139  
D416,917 S \* 11/1999 Xie ..... D15/139  
D423,024 S \* 4/2000 Hartlohner ..... D15/139  
D424,074 S \* 5/2000 Nelson ..... D15/139  
D426,245 S \* 6/2000 Bernadic ..... D15/139  
D426,562 S \* 6/2000 Kasperik ..... D15/139  
D426,839 S \* 6/2000 Morrison ..... D15/139  
D430,178 S \* 8/2000 Hartlohner ..... D15/139  
D434,051 S \* 11/2000 Kasperik ..... D15/139  
D436,608 S \* 1/2001 Hartlohner ..... D15/139  
D448,393 S \* 9/2001 Hartlohner ..... D15/139  
D487,757 S \* 3/2004 Kasperik ..... D15/139  
D487,758 S \* 3/2004 Kasperik ..... D15/139  
D487,901 S \* 3/2004 Kasperik ..... D15/139  
D488,175 S \* 4/2004 Kasperik ..... D15/139  
D488,491 S \* 4/2004 Kasperik ..... D15/139

(Continued)

*Primary Examiner* — Michael C Stout  
*Assistant Examiner* — Fritzgerald L Butac  
(74) *Attorney, Agent, or Firm* — Rabin & Berdo, P.C.

(57) **CLAIM**

The ornamental design for a cutting insert for machine tools for metalworking, as shown and described.

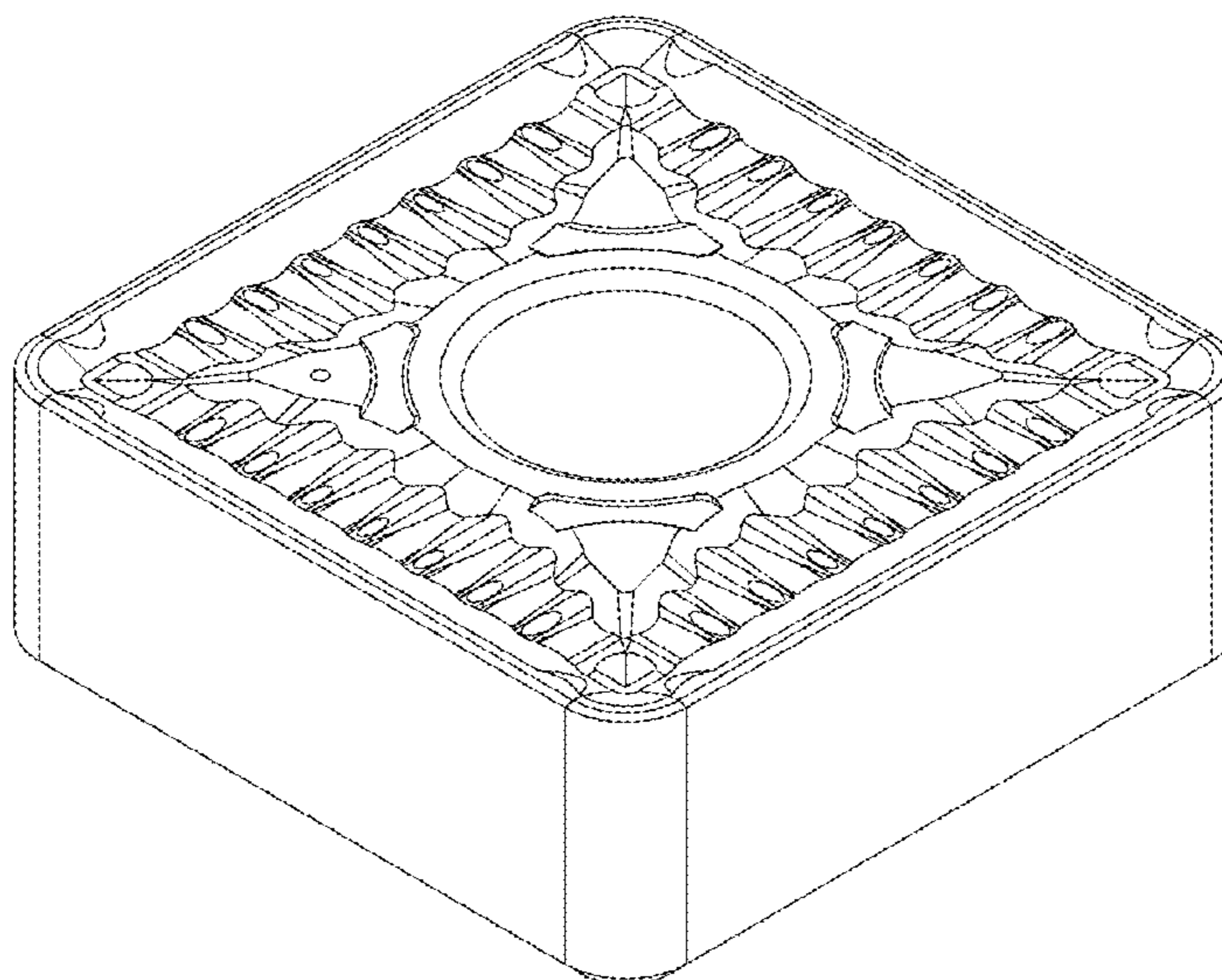
**DESCRIPTION**

1. Cutting insert for machine tools for metalworking
- 1.1 : Perspective
- 1.2 : Front
- 1.3 : Back
- 1.4 : Top
- 1.5 : Bottom
- 1.6 : Left
- 1.7 : Right

The broken lines show portions of a cutting insert for machine tools for metalworking that form no part of the claimed design.

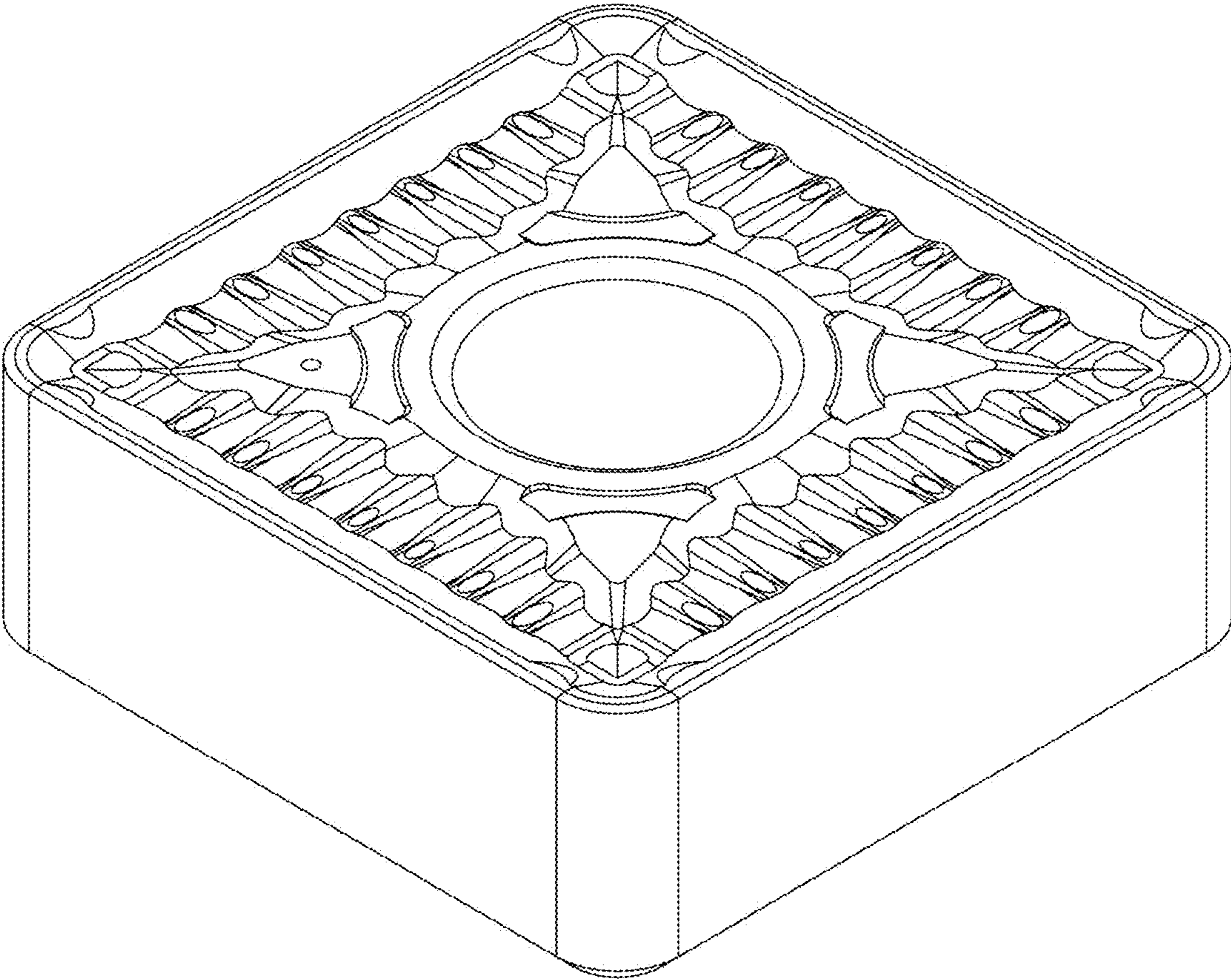
The claimed design has a central hole.

**1 Claim, 7 Drawing Sheets**





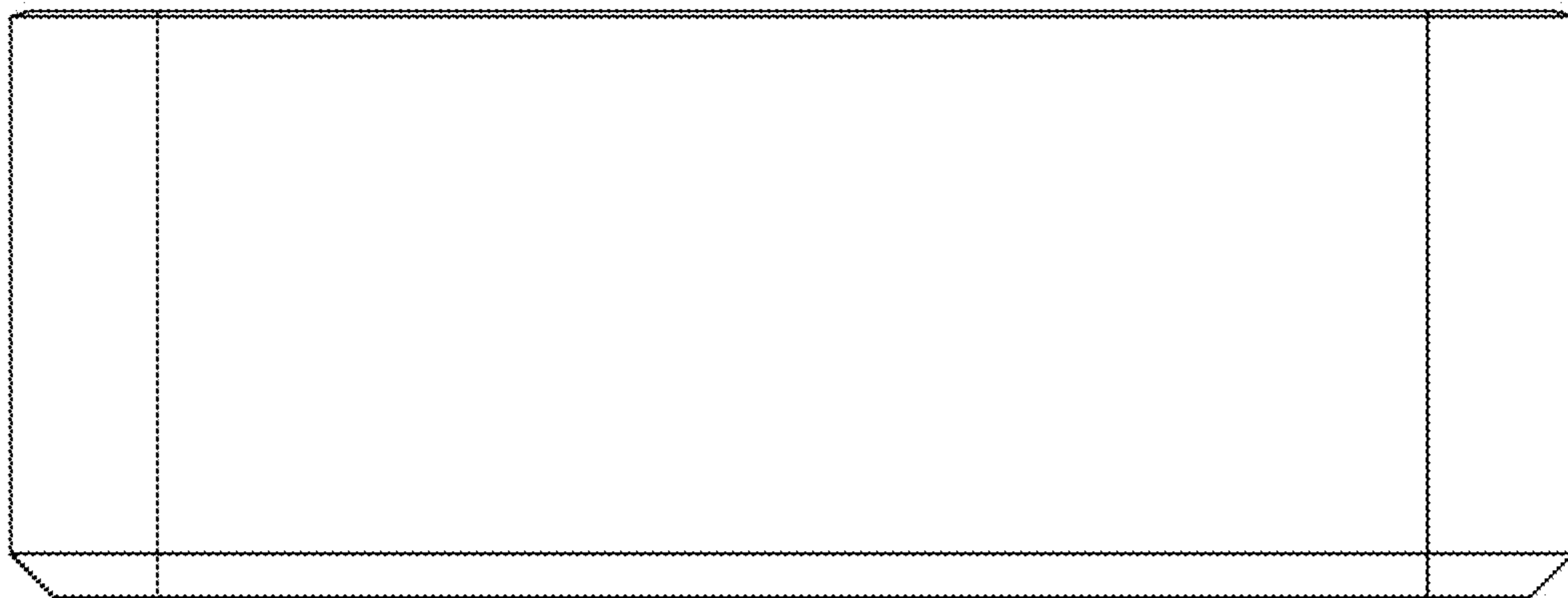
1.1



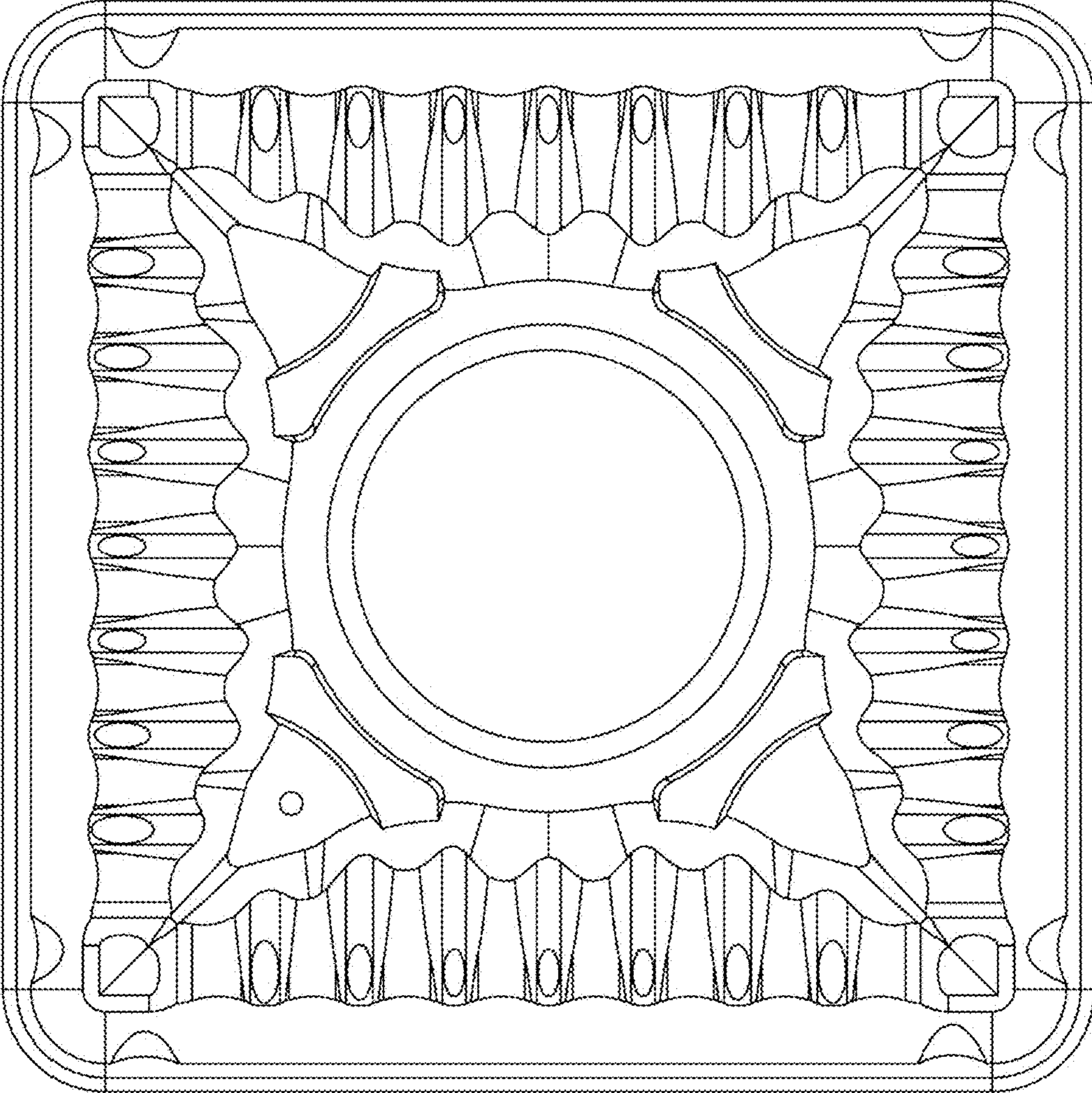
1.2



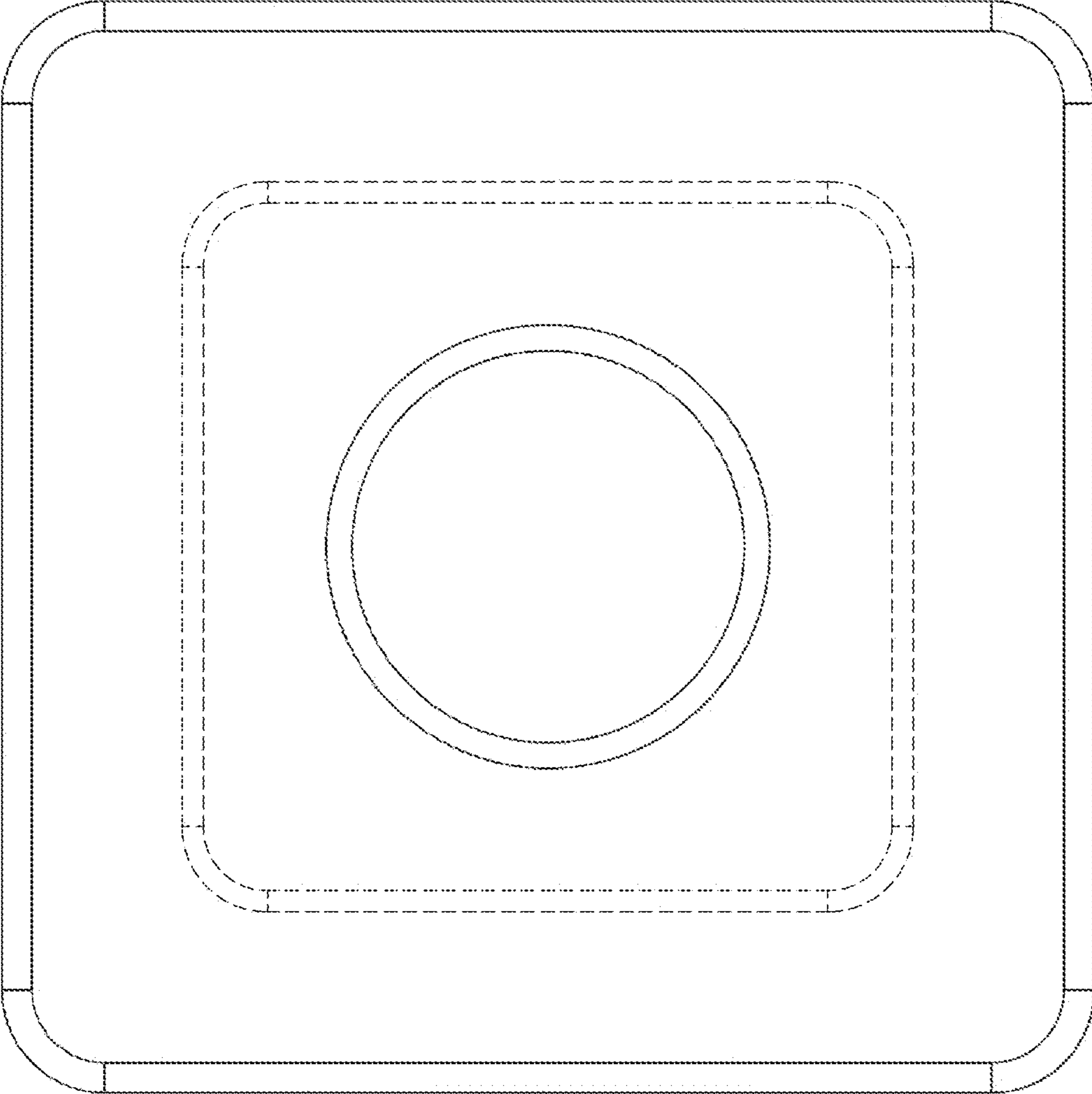
1.3



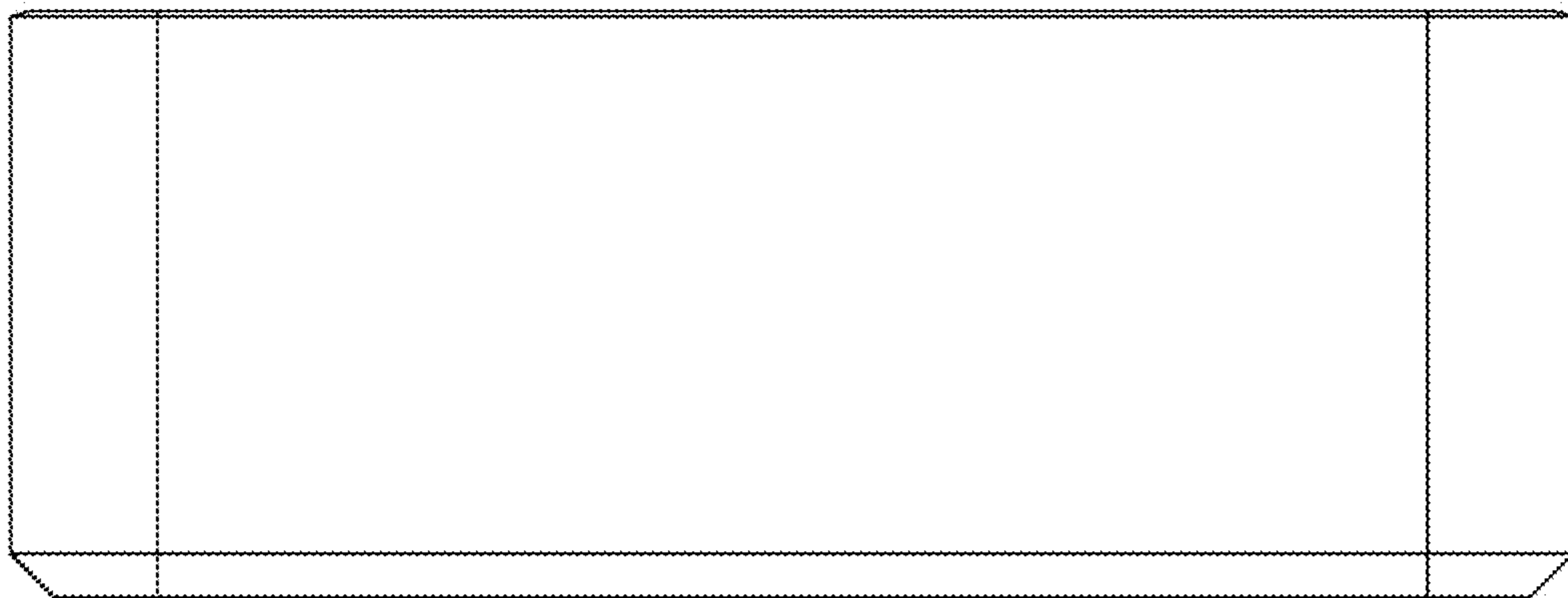
1.4



1.5



1.6





1.7

