



US00D978205S

(12) **United States Design Patent** (10) **Patent No.:** **US D978,205 S**
Burke et al. (45) **Date of Patent:** **** Feb. 14, 2023**

(54) **REFRIGERATOR SHELF**

(56) **References Cited**

(71) Applicant: **WHIRLPOOL CORPORATION**,
Benton Harbor, MI (US)

U.S. PATENT DOCUMENTS

(72) Inventors: **Julia B. Burke**, Chicago, IL (US);
Mansour Ourasanah, Chicago, IL
(US); **Daniel H. Quinlan**, Stevensville,
MI (US)

774,117 A	11/1904	Tandy
1,997,432 A	4/1935	Replogle
2,282,342 A	5/1942	Preble
2,412,904 A	12/1946	Money et al.
2,434,117 A	1/1948	Money et al.
2,466,360 A	4/1949	Bitney
2,509,592 A	5/1950	Giffard
2,517,385 A	8/1950	Clark
2,573,272 A	10/1951	Petkowitz
2,597,267 A	5/1952	Shoemaker et al.
2,694,906 A	11/1954	Didion

(73) Assignee: **WHIRLPOOL CORPORATION**,
Benton Harbor, MI (US)

(Continued)

(**) Term: **15 Years**

FOREIGN PATENT DOCUMENTS

(21) Appl. No.: **29/837,572**

BR	PI0100491 B1	6/2009
BR	PI0805999 A2	6/2010

(22) Filed: **May 6, 2022**

(Continued)

Related U.S. Application Data

Primary Examiner — Khawaja Anwar

(60) Continuation of application No. 29/796,231, filed on
Jun. 23, 2021, now Pat. No. Des. 954,767, which is a
continuation of application No. 29/729,510, filed on
Mar. 27, 2020, now Pat. No. Des. 926,235, which is
a division of application No. 29/629,155, filed on
Dec. 12, 2017, now Pat. No. Des. 883,348, which is
a division of application No. 29/541,982, filed on Oct.
9, 2015, now Pat. No. Des. 808,446.

(74) *Attorney, Agent, or Firm* — Price Heneveld LLP

(51) **LOC (14) Cl.** **15-07**

(57) **CLAIM**

(52) **U.S. Cl.**

The ornamental design for a refrigerator shelf, as shown and
described.

USPC **D15/89**

DESCRIPTION

(58) **Field of Classification Search**

USPC D15/79–91
CPC F25D 11/00; F25D 11/02; F25D 13/00;
F25D 19/00; F25D 21/00; F25D 23/00;
F25D 2321/1441; F25D 2325/021; F25D
2325/022; F25D 2325/023

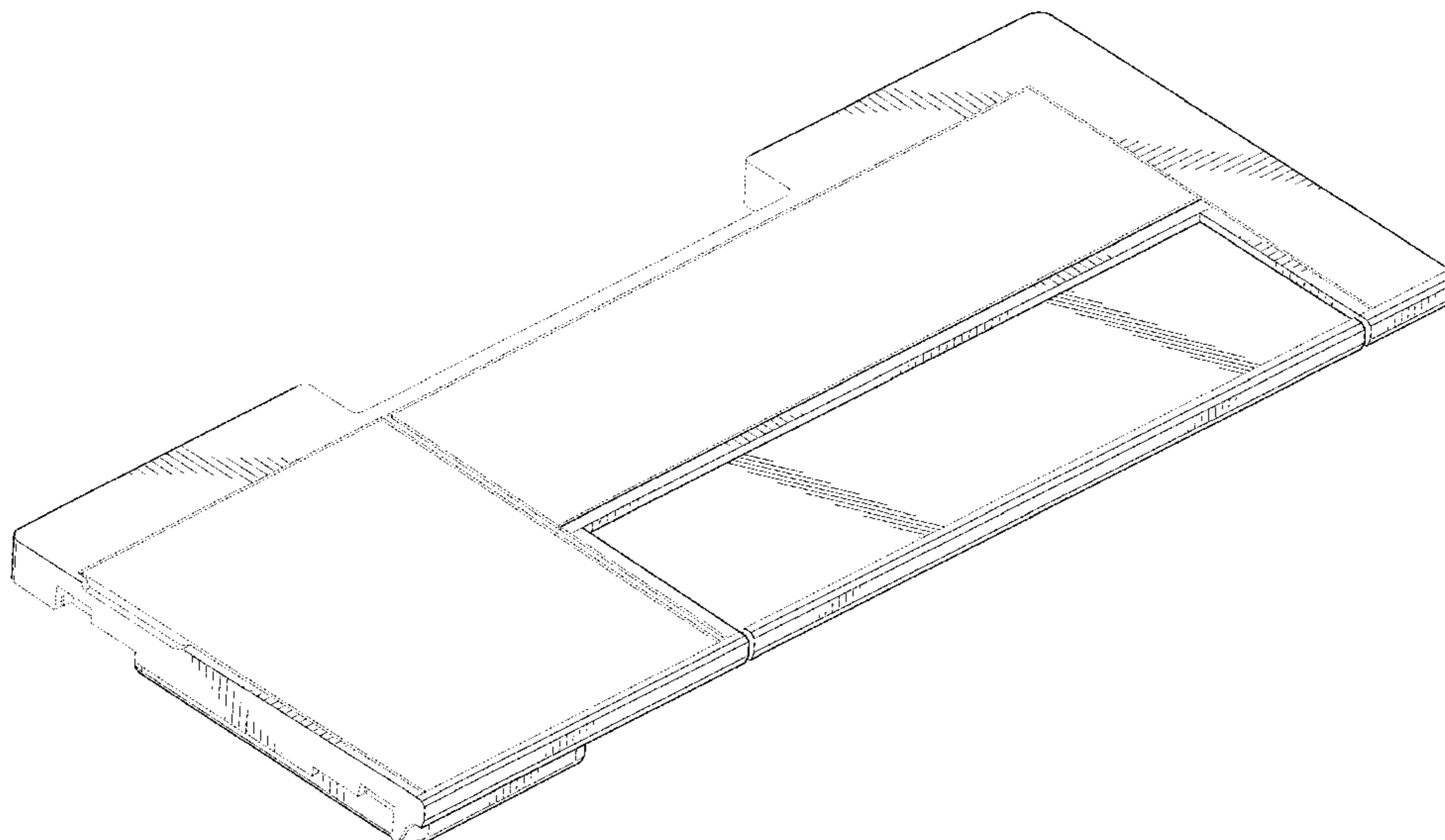
FIG. 1 is a perspective view of a refrigerator shelf according
to the design;
FIG. 2 is a front elevation view thereof;
FIG. 3 is a back elevation view thereof;
FIG. 4 is a right side elevation view thereof;
FIG. 5 is a left side elevation view thereof;
FIG. 6 is a top plan view thereof; and,
FIG. 7 is a bottom plan view thereof.

The portions of the article shown in even broken lines form
no part of the claimed design.

Dash-dot-dash broken lines adjacent un-shaded areas repre-
sent bounds of the claimed design and form no part of the
claimed design themselves.

See application file for complete search history.

1 Claim, 5 Drawing Sheets



(56)

References Cited

U.S. PATENT DOCUMENTS

2,710,993 A	6/1955	Kirkpatrick	8,562,089 B2	10/2013	Collins et al.
2,737,782 A	3/1956	Antico	D694,288 S	11/2013	Hottmann et al.
2,742,559 A	6/1956	Staebler et al.	D694,289 S	11/2013	Hottmann et al.
2,773,677 A	12/1956	Hinkel	D694,292 S	11/2013	Eby et al.
2,804,068 A	8/1957	Miller et al.	D695,796 S	12/2013	Lee et al.
2,841,132 A	2/1959	Philipp	8,616,665 B2	12/2013	Czach et al.
2,875,016 A	2/1959	Fry	8,640,482 B2	2/2014	Lim et al.
3,410,260 A	11/1968	Morgan	8,726,689 B2	5/2014	Jang et al.
3,866,437 A	2/1975	Spencer	8,733,862 B1	5/2014	Armstrong et al.
3,984,163 A	10/1976	Boorman, Jr. et al.	D707,267 S	6/2014	Choi et al.
4,638,644 A	1/1987	Gidseg	8,739,568 B2	6/2014	Allard et al.
4,732,435 A	3/1988	Bailey et al.	D709,927 S	7/2014	Park et al.
4,834,557 A	5/1989	Dreinhoff	8,777,341 B2	7/2014	Amaral et al.
4,914,928 A	4/1990	Fellwock et al.	D710,404 S	8/2014	Park et al.
4,998,382 A	3/1991	Kostos et al.	D710,405 S	8/2014	Seo et al.
5,362,145 A	11/1994	Bird et al.	D710,406 S	8/2014	Seo et al.
5,415,472 A	5/1995	Brise	D711,943 S	8/2014	Park et al.
5,429,043 A	7/1995	Becker	8,814,287 B2	8/2014	Jang
5,447,146 A	9/1995	Nickerson	8,833,882 B2	9/2014	Seo et al.
5,524,981 A	6/1996	Herrmann et al.	D714,840 S	10/2014	Yang et al.
5,564,809 A	10/1996	Kane et al.	D716,850 S	11/2014	Seo et al.
5,660,777 A	8/1997	Herrmann et al.	D717,349 S	11/2014	Seo et al.
5,735,589 A	4/1998	Herrmann et al.	D719,986 S	12/2014	Kim et al.
5,813,741 A	9/1998	Fish et al.	8,960,826 B2	2/2015	Choo et al.
5,918,959 A	7/1999	Lee	D724,118 S	3/2015	Kim et al.
6,045,101 A	4/2000	Goyette et al.	9,004,622 B2	4/2015	Garcia et al.
6,174,482 B1	1/2001	Reames et al.	9,033,437 B2	5/2015	Klitzing et al.
6,220,684 B1	4/2001	Bent et al.	D733,770 S	7/2015	Park et al.
6,474,094 B2	11/2002	Kim	D734,784 S	7/2015	Kim et al.
6,488,347 B1	12/2002	Bienick	9,097,457 B2	8/2015	Kim
6,523,719 B2	2/2003	Trulaske, Sr.	9,103,582 B2	8/2015	Nash et al.
6,604,800 B2	8/2003	Hamilton	9,127,878 B2	9/2015	Gossens et al.
6,811,045 B1	11/2004	Masker et al.	9,151,534 B2	10/2015	Lee et al.
D505,140 S	5/2005	Reed et al.	D745,068 S	12/2015	Jeon et al.
D511,535 S	11/2005	Gobleben	D745,581 S	12/2015	Jeon et al.
D513,757 S	1/2006	Gobleben	9,217,601 B2	12/2015	Koo et al.
D515,114 S	2/2006	Gobleben	D747,369 S	1/2016	McConnell et al.
D516,100 S	2/2006	Vardon	D747,370 S	1/2016	Kim et al.
D516,102 S	2/2006	Vardon	D747,371 S	1/2016	Lee et al.
D523,034 S	6/2006	Vardon	D747,372 S	1/2016	Kim et al.
7,059,693 B2	6/2006	Park	D747,373 S	1/2016	Lee et al.
D525,633 S	7/2006	Vardon	D748,165 S	1/2016	McConnell et al.
7,070,249 B2	7/2006	Leimkuehler et al.	9,234,690 B2	1/2016	McCollugh et al.
7,131,545 B1	11/2006	Grogan	9,250,010 B2	2/2016	De La Garza et al.
7,178,890 B2	2/2007	Park et al.	9,297,573 B2	3/2016	Krause et al.
7,188,738 B2	3/2007	Stafford et al.	D753,197 S	4/2016	Lee et al.
7,232,194 B2	6/2007	Becke et al.	D754,218 S	4/2016	Jeon et al.
D551,262 S	9/2007	Becke	D754,759 S	4/2016	McConnell et al.
7,270,385 B2	9/2007	Mathur et al.	9,320,368 B2	4/2016	Marotti et al.
7,552,983 B2	6/2009	Shin	D756,551 S	5/2016	Handt et al.
D603,883 S	11/2009	Placke et al.	9,328,955 B2	5/2016	Castro Solis et al.
7,651,182 B2	1/2010	Eveland et al.	9,339,993 B2	5/2016	Cites et al.
7,726,753 B2	6/2010	Bassi	9,345,326 B2	5/2016	Sankhgond et al.
7,748,569 B2	7/2010	Sunatori	D759,734 S	6/2016	Lee et al.
7,748,806 B2	7/2010	Egan	D761,884 S	7/2016	Austin et al.
7,878,344 B2	2/2011	Martin et al.	9,389,014 B2	7/2016	Rehage et al.
7,976,113 B2	7/2011	Gwak	D766,345 S	10/2016	Lee et al.
D649,985 S	12/2011	Jeon et al.	9,488,405 B2	11/2016	Lee et al.
D656,970 S	4/2012	Merritt	9,500,403 B2	11/2016	Seo et al.
8,152,255 B2	4/2012	Nam et al.	9,510,679 B2	12/2016	Bhatt et al.
8,172,347 B2	5/2012	Lim et al.	9,661,867 B2	5/2017	Minard et al.
8,182,056 B2	5/2012	Gossens et al.	9,671,115 B2	6/2017	Elkasevic
D661,325 S	6/2012	Yang et al.	9,823,013 B1	11/2017	Caglin et al.
8,240,512 B2	8/2012	Sunatori	D808,445 S *	1/2018	Burke D15/89
D669,506 S	10/2012	Czach et al.	D808,446 S	1/2018	Burke et al.
8,297,726 B2	10/2012	Ramm et al.	9,945,601 B1	4/2018	Bhavsar et al.
8,336,976 B2	12/2012	Lee	D854,589 S *	7/2019	Lee D15/89
8,348,362 B2	1/2013	Candeo et al.	D855,352 S *	8/2019	Nilssen D6/574
8,359,881 B2	1/2013	Junge et al.	D862,530 S *	10/2019	Seo D15/89
D676,468 S	2/2013	Lee et al.	D872,138 S *	1/2020	Ding D15/89
8,381,949 B2	2/2013	Sunatori	D878,432 S *	3/2020	Lee D15/89
8,403,438 B2	3/2013	Park et al.	D883,348 S *	5/2020	Burke D15/89
8,414,095 B2	4/2013	Stewart	D897,769 S *	10/2020	Harrell D7/402
8,444,239 B2	5/2013	Gossens et al.	D926,235 S *	7/2021	Burke D15/89
D692,034 S	10/2013	Seo et al.	2003/0020387 A1 *	1/2003	Wing A47B 96/067 312/408
			2004/0012314 A1	1/2004	Hay et al.
			2004/0104323 A1	6/2004	Hubert et al.
			2005/0073225 A1	4/2005	Kwon et al.

(56)

References Cited

U.S. PATENT DOCUMENTS

2006/0145577	A1	7/2006	Daley et al.
2006/0226751	A1	10/2006	Park
2007/0126325	A1	6/2007	Gorz et al.
2008/0203041	A1	8/2008	Lim et al.
2010/0024464	A1	2/2010	Hwang et al.
2010/0102693	A1	4/2010	Driver et al.
2010/0109498	A1	5/2010	Ramm et al.
2011/0001415	A1	1/2011	Park et al.
2011/0072846	A1	3/2011	Engel et al.
2011/0115356	A1	5/2011	Nash et al.
2012/0018434	A1	1/2012	Gwak
2012/0091084	A1*	4/2012	Amaral F25D 25/024 211/80
2012/0223038	A1	9/2012	Bean
2012/0248958	A1	10/2012	Ertz et al.
2013/0020922	A1	1/2013	Jang
2015/0034668	A1	2/2015	Minard et al.
2015/0061484	A1	3/2015	Jeong et al.
2015/0107084	A1	4/2015	Craycraft et al.
2015/0168048	A1	6/2015	Sexton et al.
2015/0184929	A1	7/2015	Moon
2016/0290707	A1	10/2016	Burke et al.
2017/0086580	A1	6/2017	Azkue et al.

FOREIGN PATENT DOCUMENTS

CN	101611281	A	12/2009
CN	201779952	U	3/2011
CN	102494496	A	6/2012
CN	202432813	U	9/2012

CN	102135363	B	12/2012
CN	102829604	A	12/2012
DE	8801508	U1	6/1989
DE	10107646	A1	8/2002
DE	102009045363	A1	4/2011
DE	102013216974	A1	4/2014
DE	102012223131	A1	6/2014
EP	0577939	A1	1/1994
EP	1790250	A2	5/2007
EP	2072937	A2	6/2009
JP	H10115485	A	5/1998
JP	H10122733	A	5/1998
JP	H11237173	A	8/1999
JP	2002090054	A	3/2002
KR	20030061668	A	7/2003
KR	20030061668	B1	7/2003
KR	20040095421	A	11/2004
KR	20100023474	A	3/2010
KR	20140022598	A	2/2014
WO	02014761	A1	2/2002
WO	2005012812	A1	2/2005
WO	2007128734	A1	11/2007
WO	2008015180	A2	2/2008
WO	2009155679	A2	12/2009
WO	2011009773	A2	1/2011
WO	2011080109	A2	7/2011
WO	2012025382	A2	3/2012
WO	2012062670	A2	5/2012
WO	2014082858	A1	6/2014
WO	2015101430	A1	7/2015
WO	2015101434	A1	7/2015
WO	2015149832	A1	10/2015
WO	2015165531	A1	11/2015

* cited by examiner

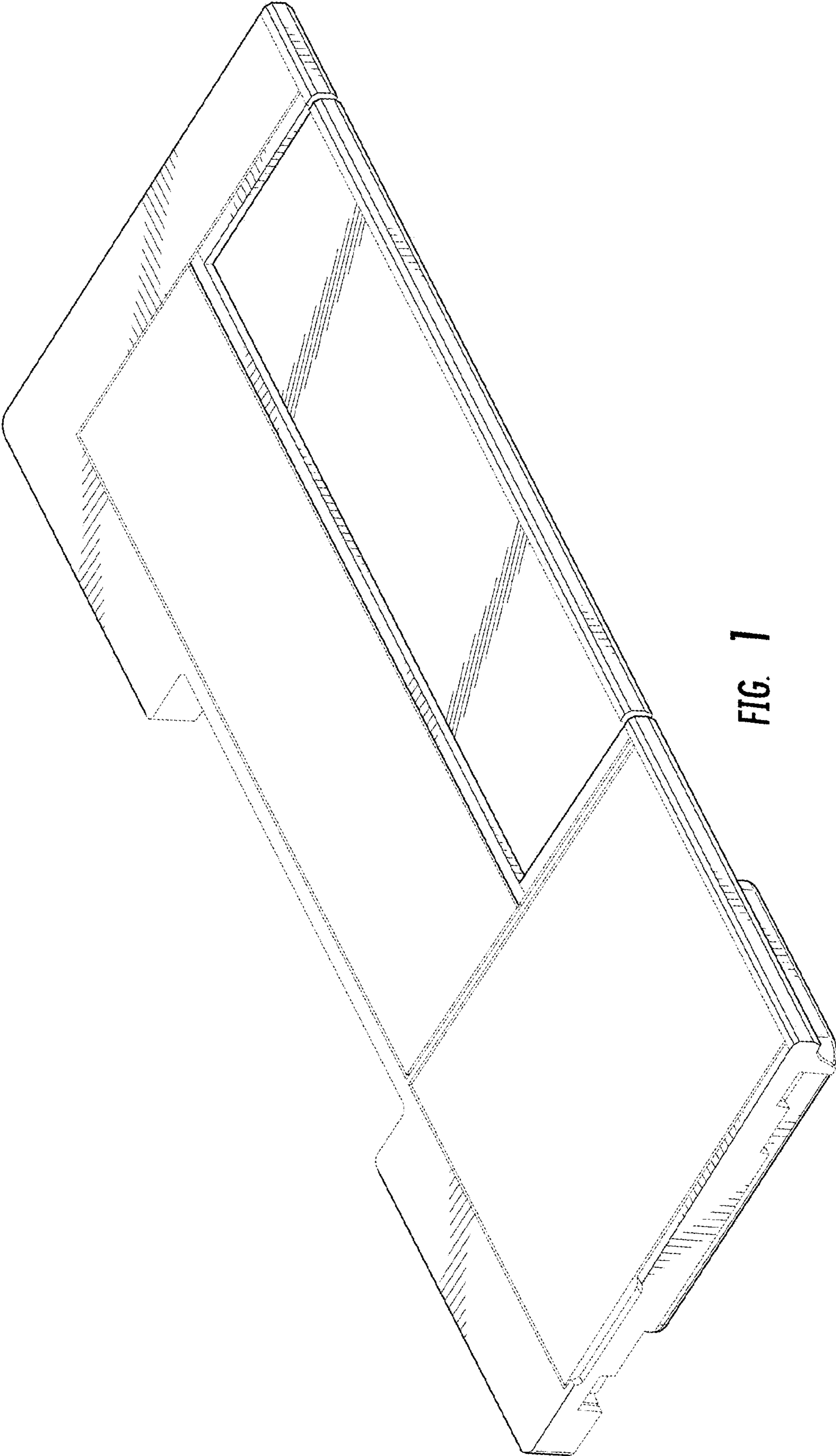


FIG. 1

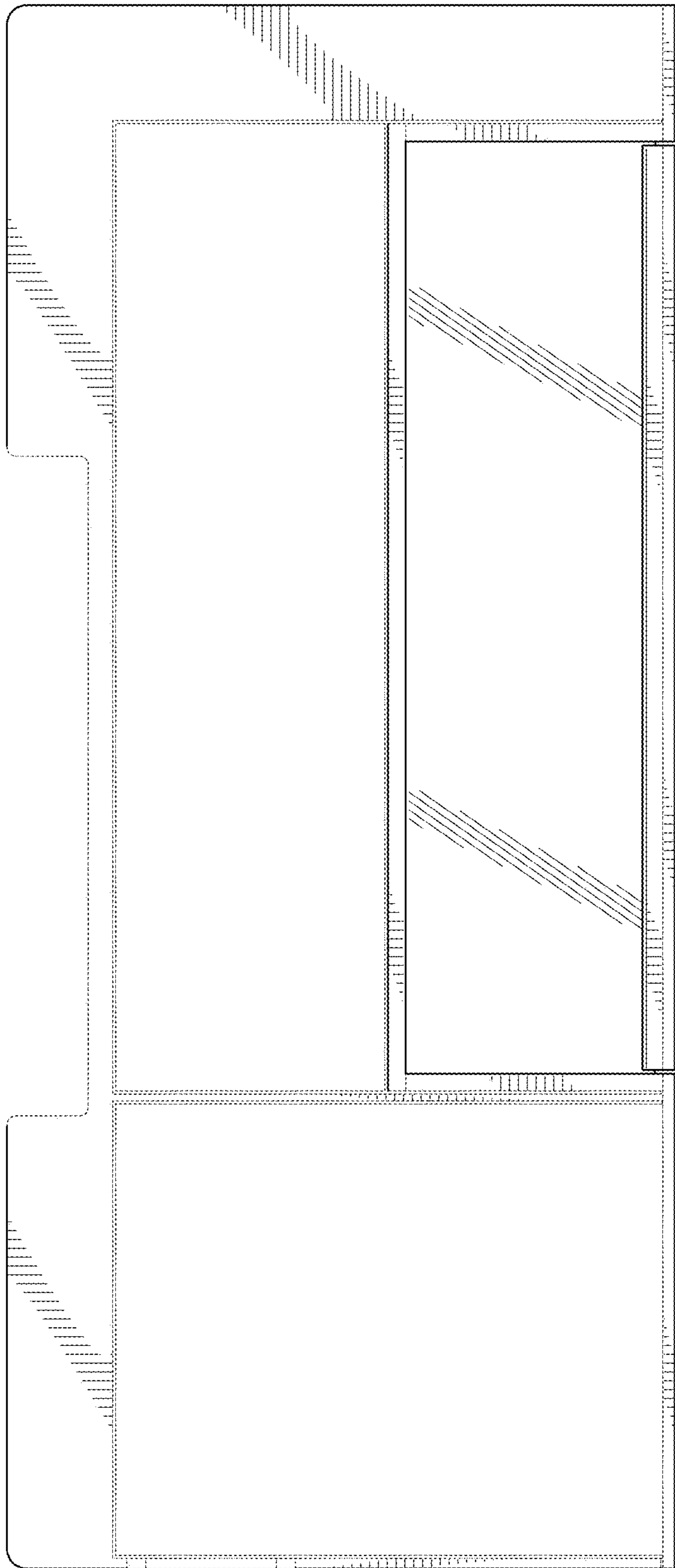


FIG. 2

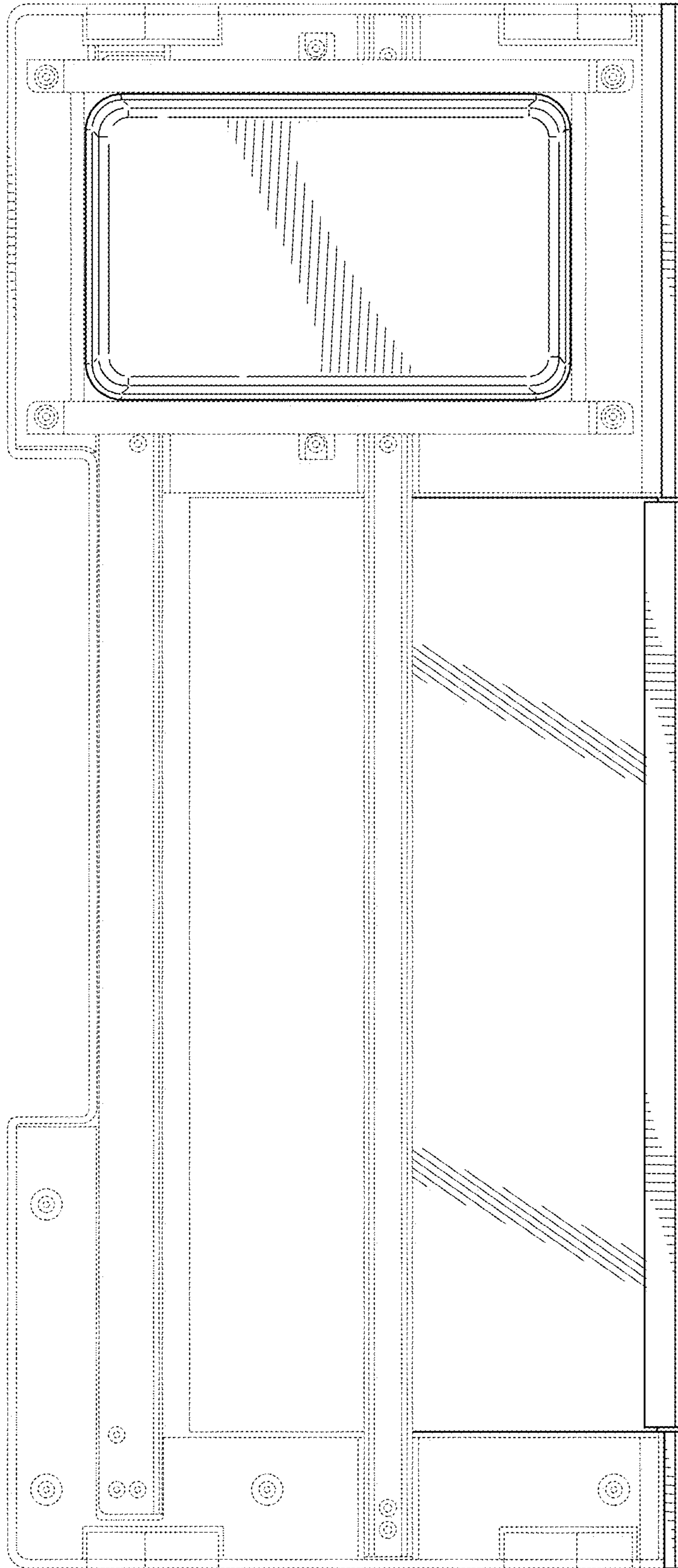


FIG. 3

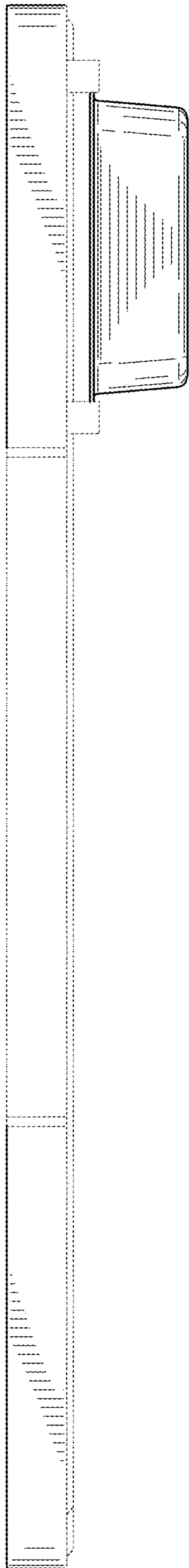


FIG. 4

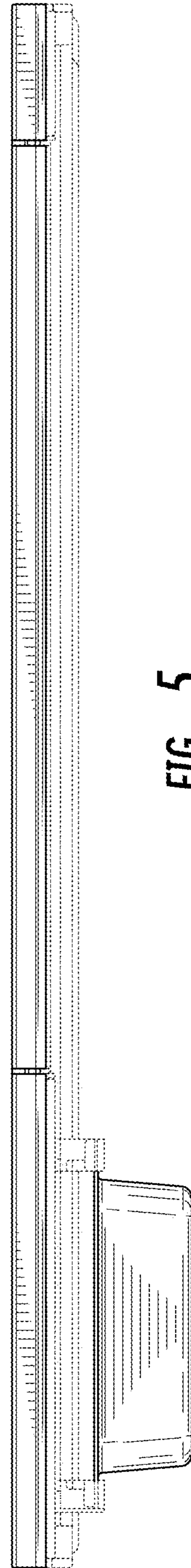


FIG. 5

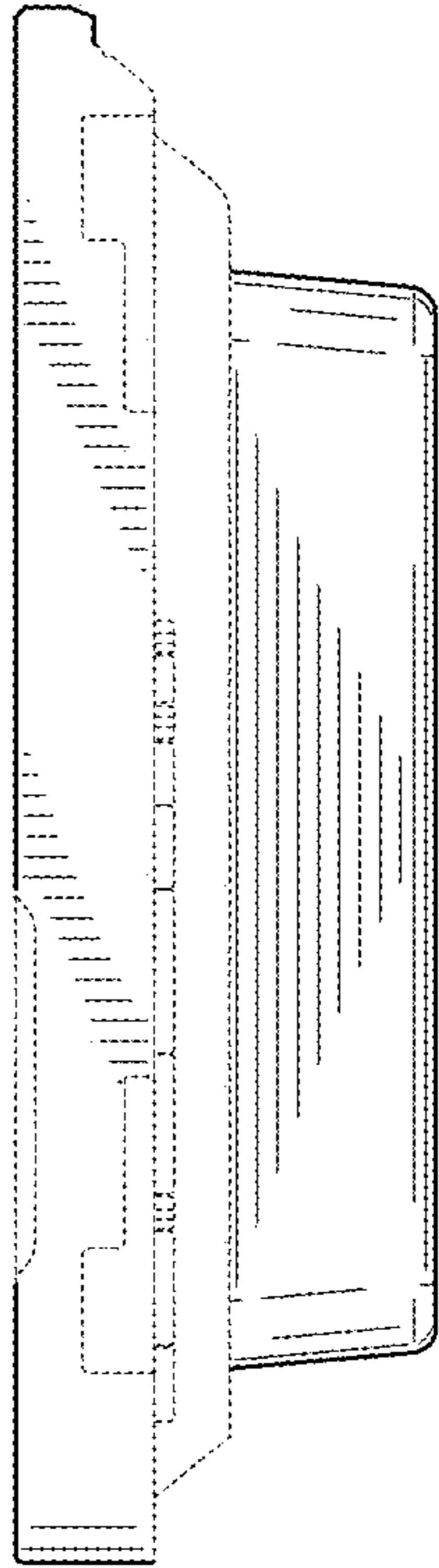


FIG. 6

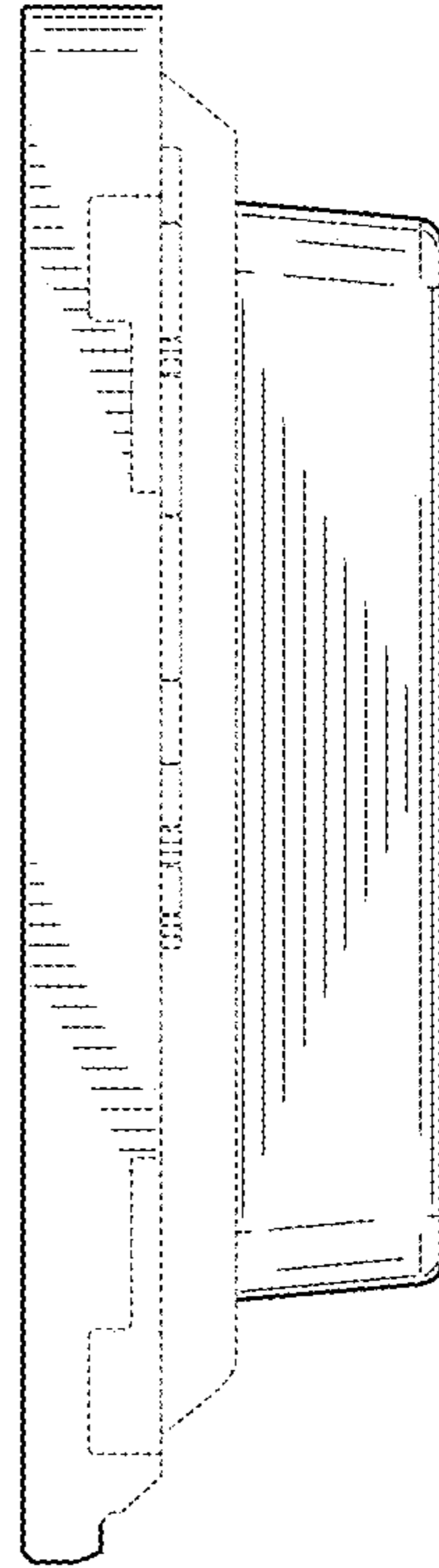


FIG. 7