



US00D978203S

(12) **United States Design Patent**
Paulson et al.

(10) **Patent No.:** **US D978,203 S**
(45) **Date of Patent:** **** Feb. 14, 2023**

- (54) **QUICK COUPLER FOR A THREE-POINT HITCH**
- (71) Applicant: **CNH Industrial America LLC**, New Holland, PA (US)
- (72) Inventors: **Thomas James Paulson**, Fargo, ND (US); **Richard Dean Kerner**, West Fargo, ND (US)
- (73) Assignee: **CNH Industrial America LLC**, New Holland, PA (US)
- (**) Term: **15 Years**
- (21) Appl. No.: **29/785,799**
- (22) Filed: **May 27, 2021**
- (51) **LOC (14) Cl.** **15-03**
- (52) **U.S. Cl.**
USPC **D15/28**
- (58) **Field of Classification Search**
USPC D15/28
CPC B60D 1/04; B60D 1/141; A01B 59/062; A01B 59/064; A01B 59/006; A01B 71/063; A01B 59/043; E02F 3/3604; Y10T 403/70337
See application file for complete search history.

- D284,476 S * 7/1986 Boschen D15/28
- 5,026,247 A * 6/1991 Zimmerman B66F 9/061
280/416.2
- 5,582,255 A * 12/1996 Nikkei A01B 63/102
172/26
- 5,657,825 A * 8/1997 Englund A01B 59/062
280/416.2
- 5,984,019 A * 11/1999 Hund A01B 59/068
280/416.2

(Continued)

FOREIGN PATENT DOCUMENTS

CN 204579017 8/2015

OTHER PUBLICATIONS

CNH Industrial Quick Coupler, Released 2013, 2 pgs.
U.S. Appl. No. 17/334,238, filed May 28, 2021, Paulson, Thomas James.

Primary Examiner — Mark A Goodwin
(74) *Attorney, Agent, or Firm* — Rickard K. DeMille; Rebecca L. Henkel

(57) **CLAIM**

The ornamental design for a quick coupler for a three-point hitch, substantially as shown and described.

DESCRIPTION

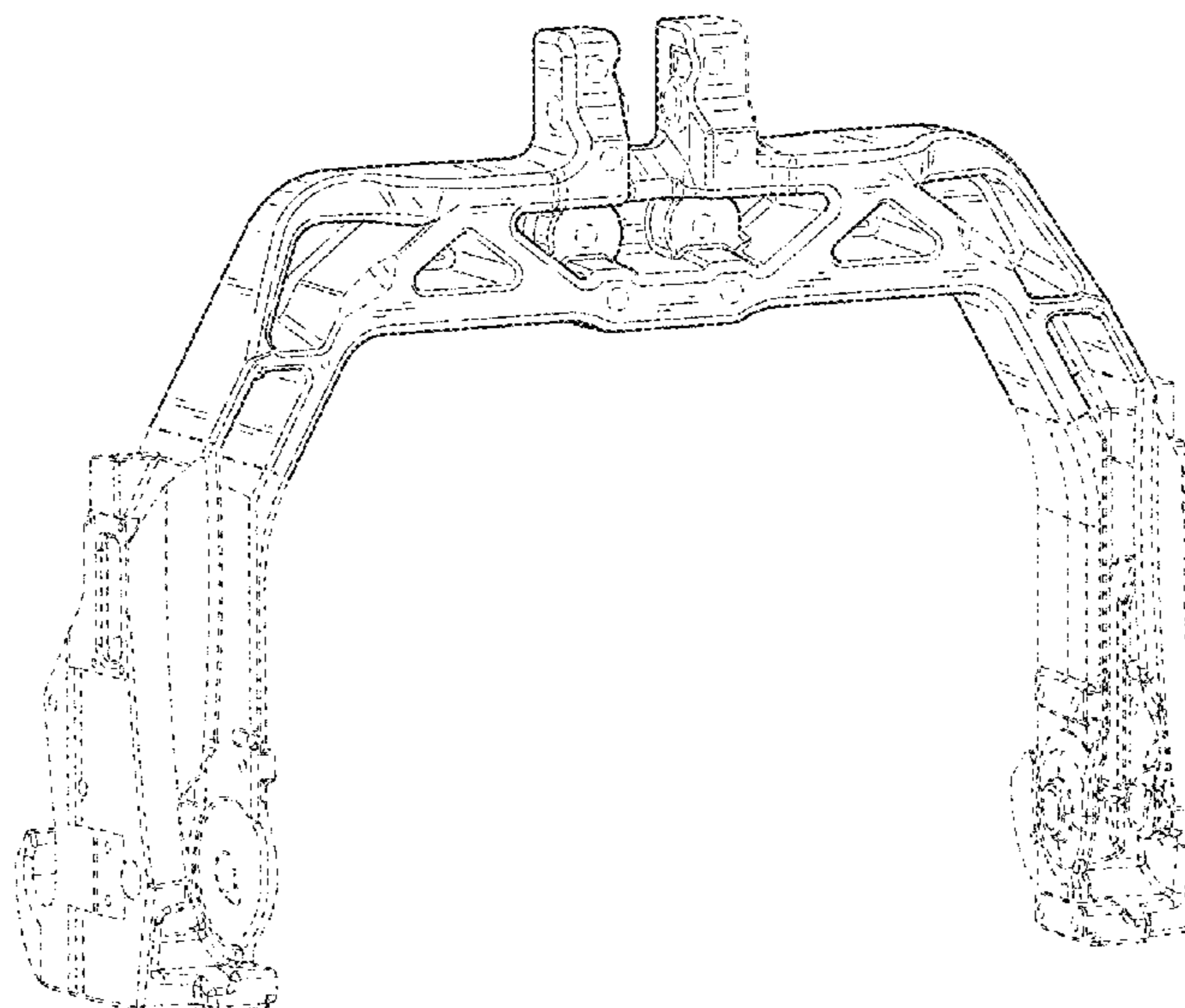
FIG. 1 is a back perspective view of a quick coupler for a three-point hitch;
FIG. 2 is a front perspective view of the quick coupler;
FIG. 3 is a back view of the quick coupler;
FIG. 4 is a front view of the quick coupler;
FIG. 5 is a left side view of the quick coupler;
FIG. 6 is a right side view of the quick coupler;
FIG. 7 is a top view of the quick coupler; and,
FIG. 8 is a bottom view of the quick coupler.
Phantom lines, where utilized, are for illustrative purposes only and form no part of the claimed design.

1 Claim, 6 Drawing Sheets

(56) **References Cited**

U.S. PATENT DOCUMENTS

- 3,195,651 A * 7/1965 Todd A01B 59/062
172/272
- 3,561,788 A 2/1971 Carlson et al.
- 3,829,128 A * 8/1974 Sutton A01B 59/062
172/272
- 3,881,749 A 5/1975 Berends
- D243,759 S * 3/1977 Utzinger D12/162
- 4,019,753 A 4/1977 Kestel
- D244,192 S * 5/1977 Murray D12/162
- D272,070 S * 1/1984 Larsson D15/28
- 4,439,088 A 3/1984 Summa



(56)

References Cited

U.S. PATENT DOCUMENTS

6,349,959	B2 *	2/2002	Schlegel	A01B 59/006 116/284
6,533,042	B1	3/2003	Marine, Sr. et al.	
6,874,583	B2 *	4/2005	Wood, Jr.	A01B 59/06 172/439
6,896,070	B2 *	5/2005	Wood, Jr.	A01B 59/062 172/272
7,048,070	B2 *	5/2006	Powell	A01B 59/062 172/680
7,278,502	B2	10/2007	Trefz et al.	
7,487,843	B2 *	2/2009	Tuttle	A01B 59/062 172/446
7,575,077	B2	8/2009	Priepke et al.	
7,690,439	B2	4/2010	Priepke et al.	
8,555,995	B2 *	10/2013	Harris	A01B 59/064 172/810
8,763,715	B2 *	7/2014	Osgood	E01H 5/067 37/231
8,764,373	B2	7/2014	Bates	
9,775,276	B2	10/2017	Hyder	
11,277,954	B2 *	3/2022	Defrancq	A01B 59/066
2007/0098538	A1	5/2007	Zettel	
2013/0056959	A1	3/2013	Mathes et al.	

* cited by examiner

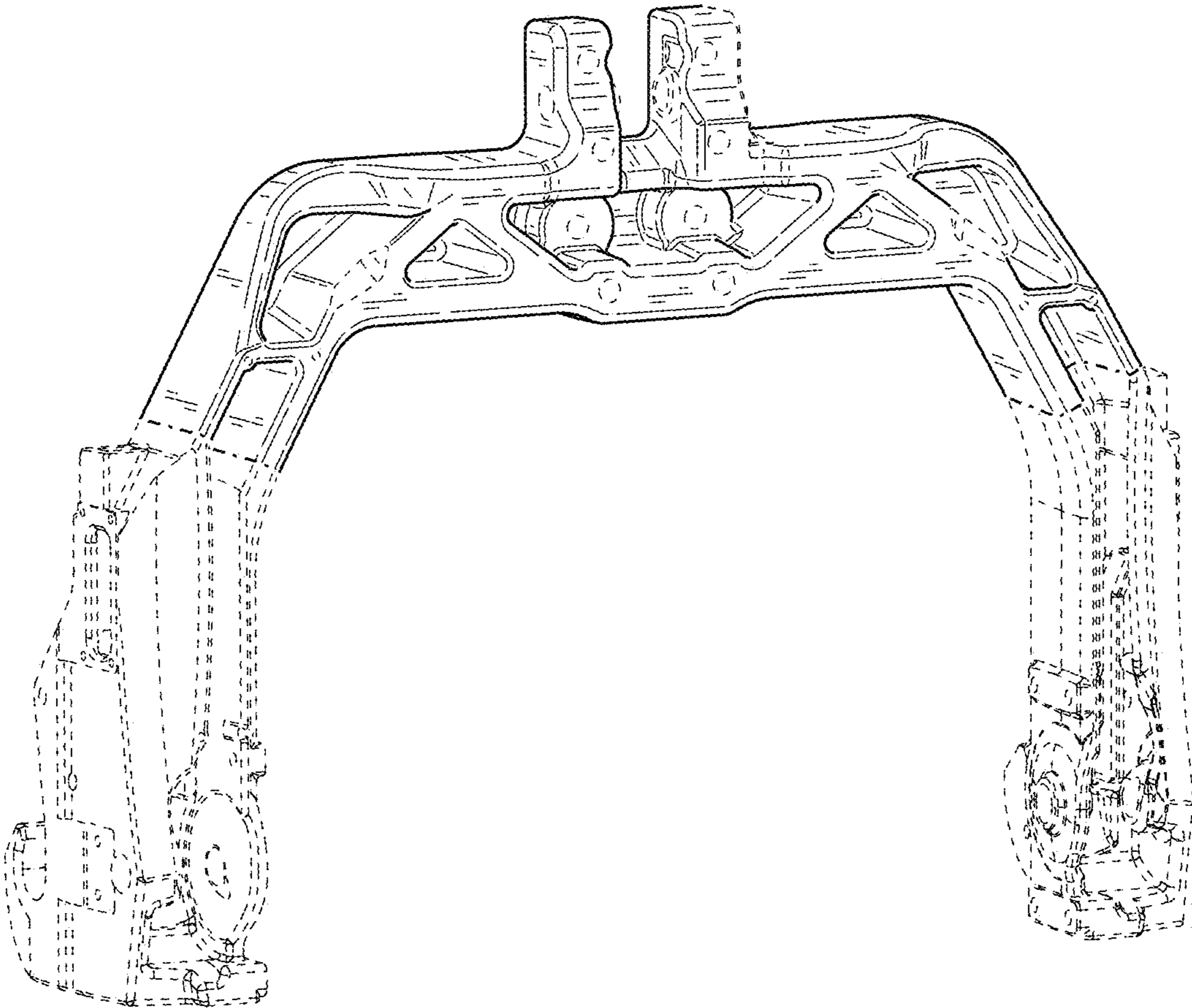


FIG. 1

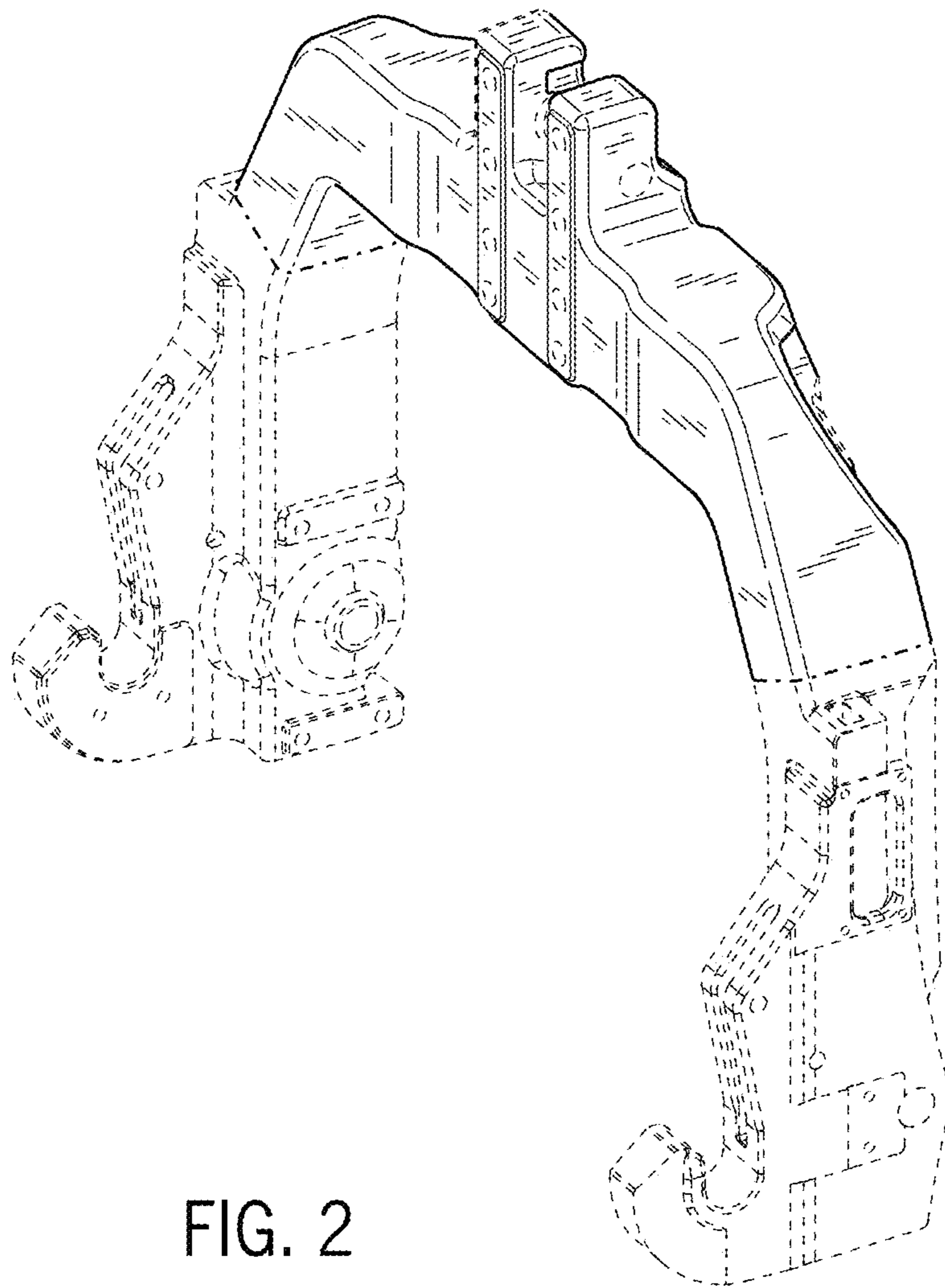


FIG. 2

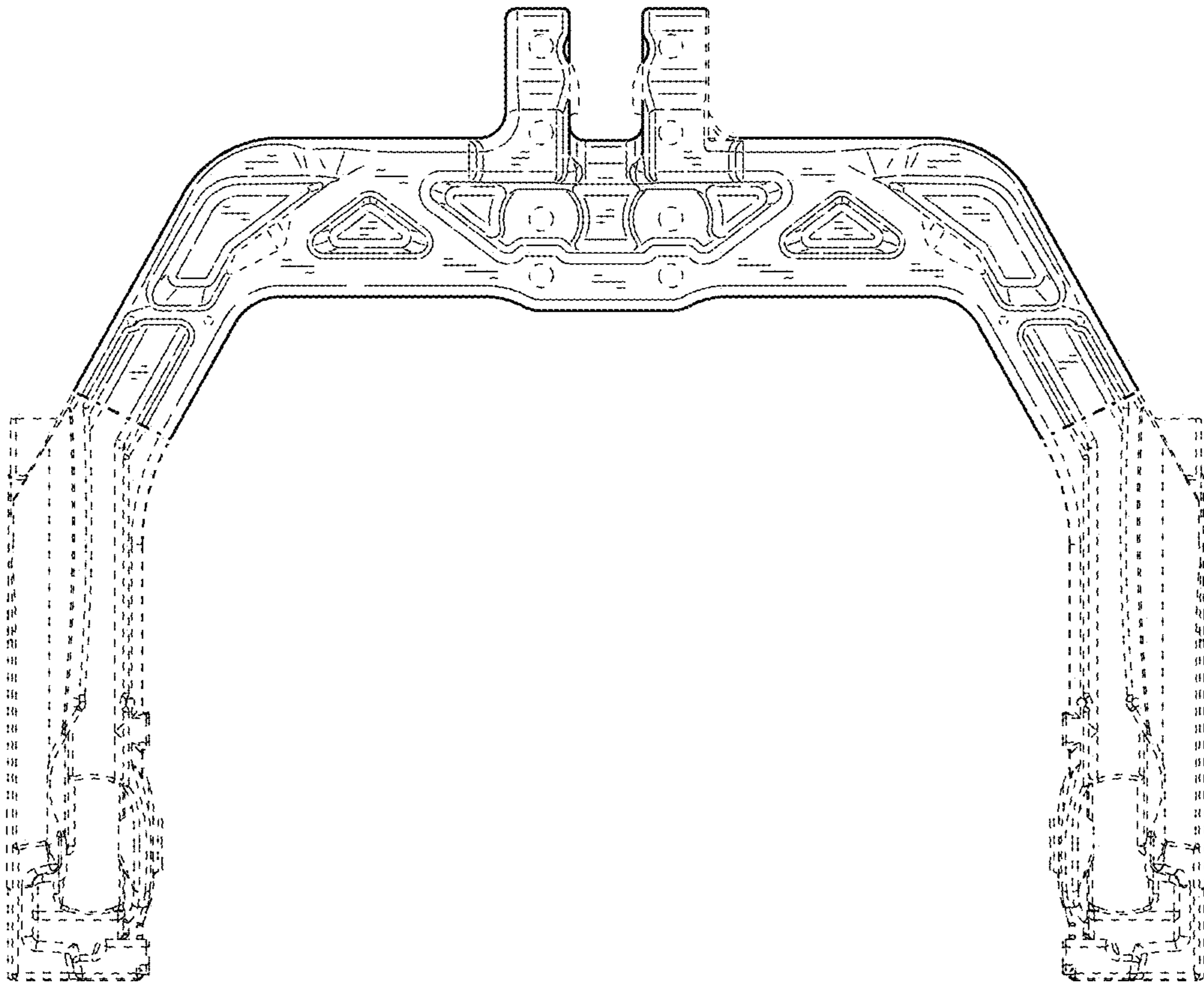


FIG. 3

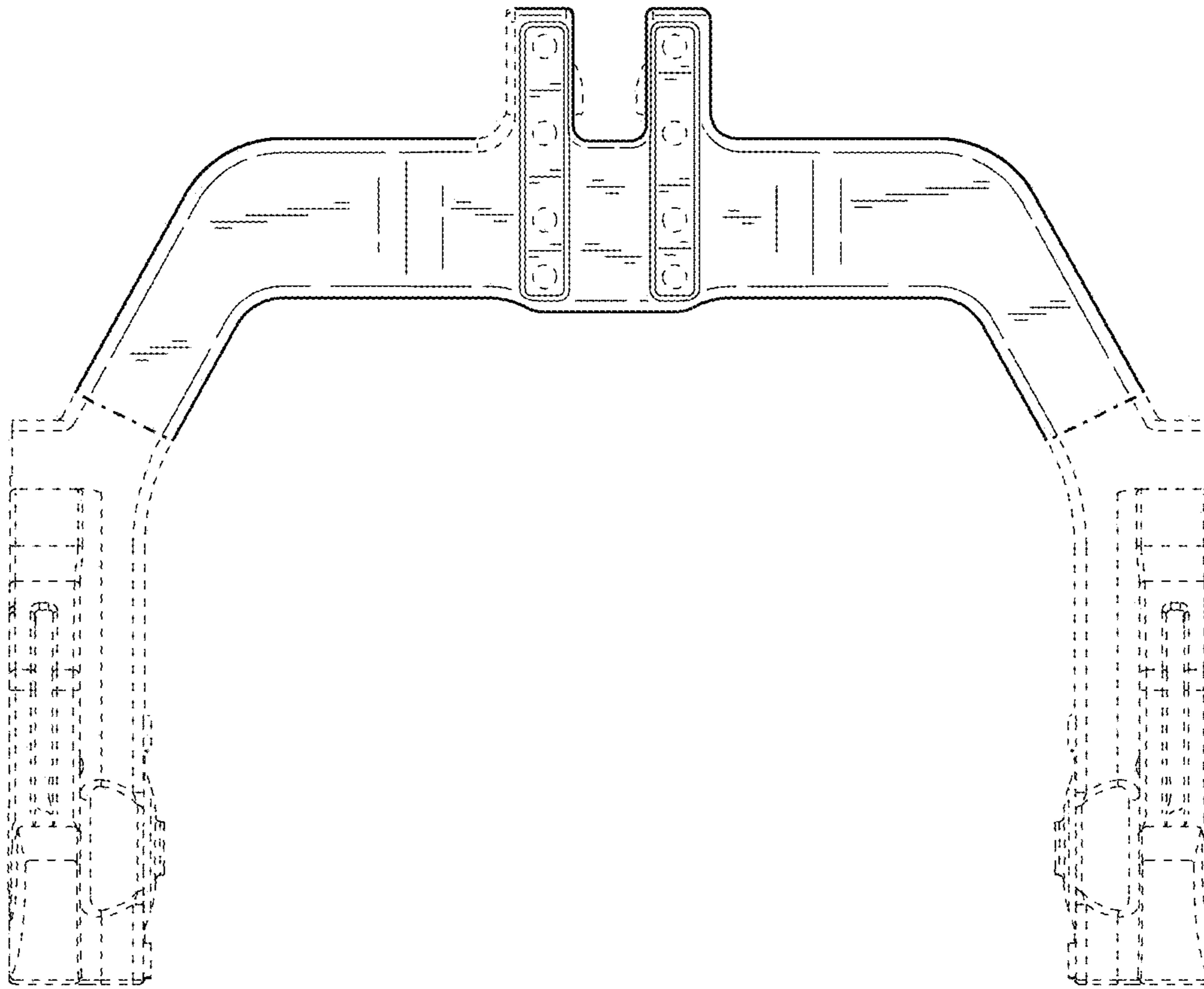


FIG. 4

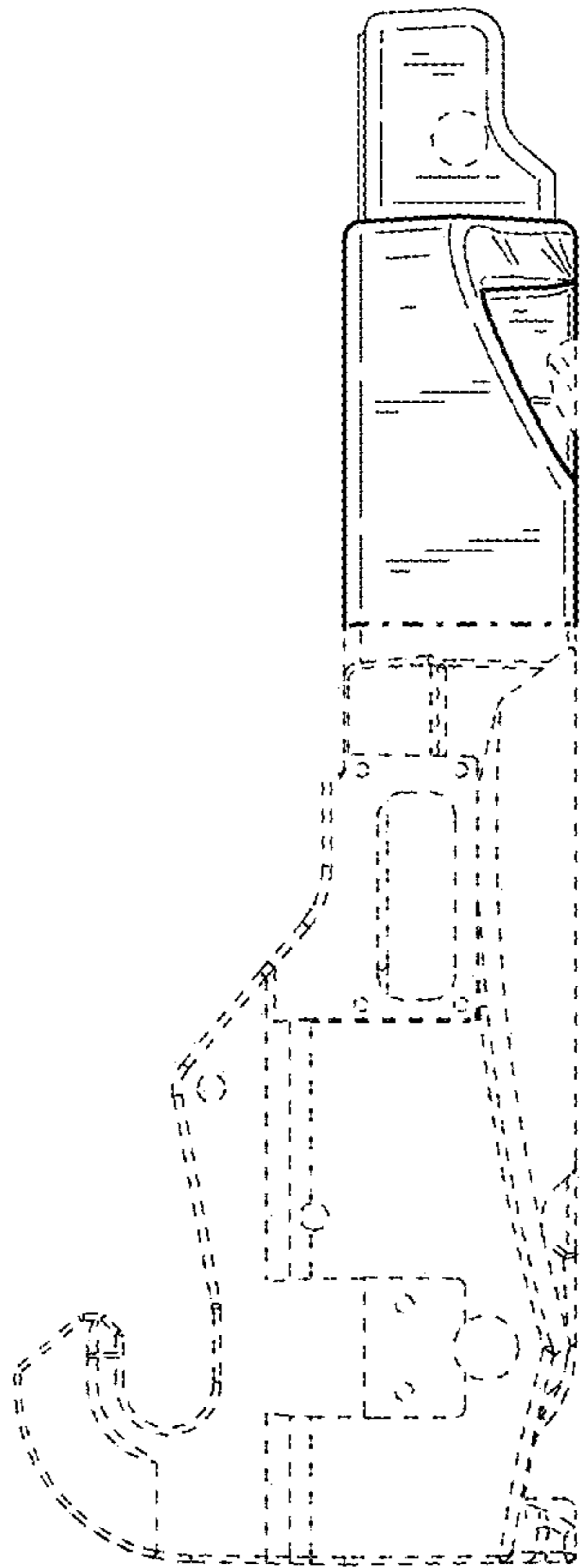


FIG. 5

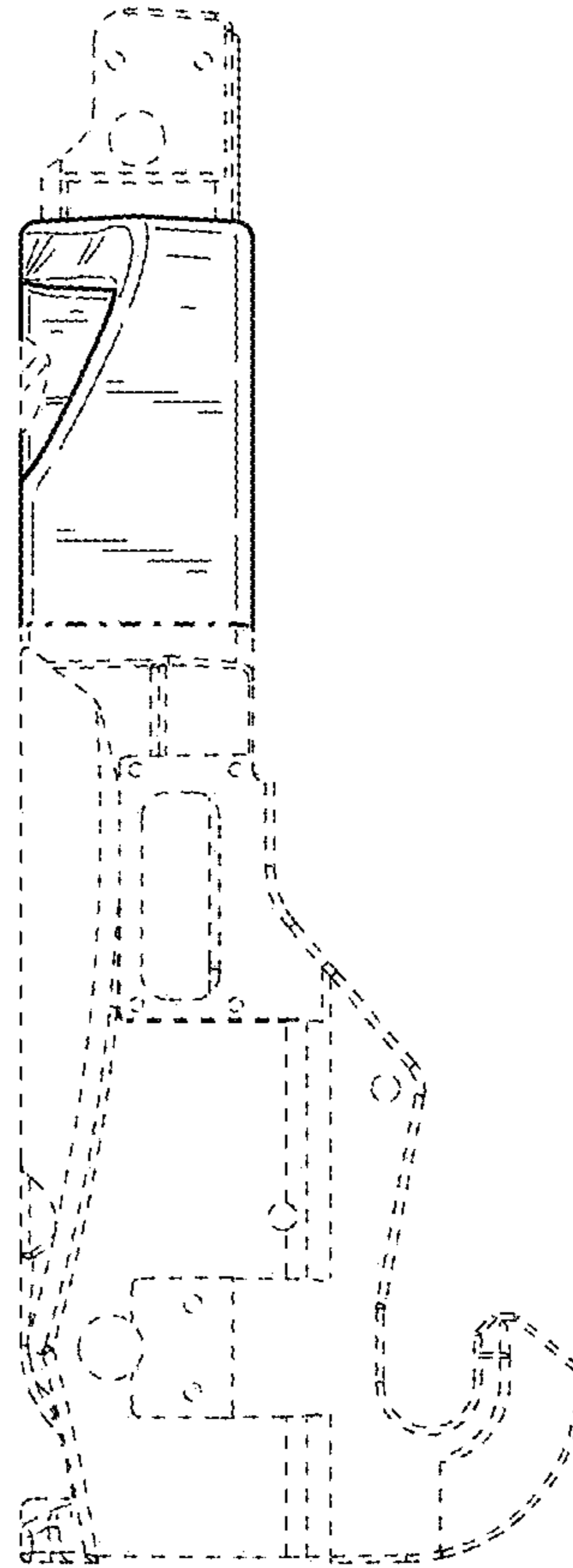


FIG. 6

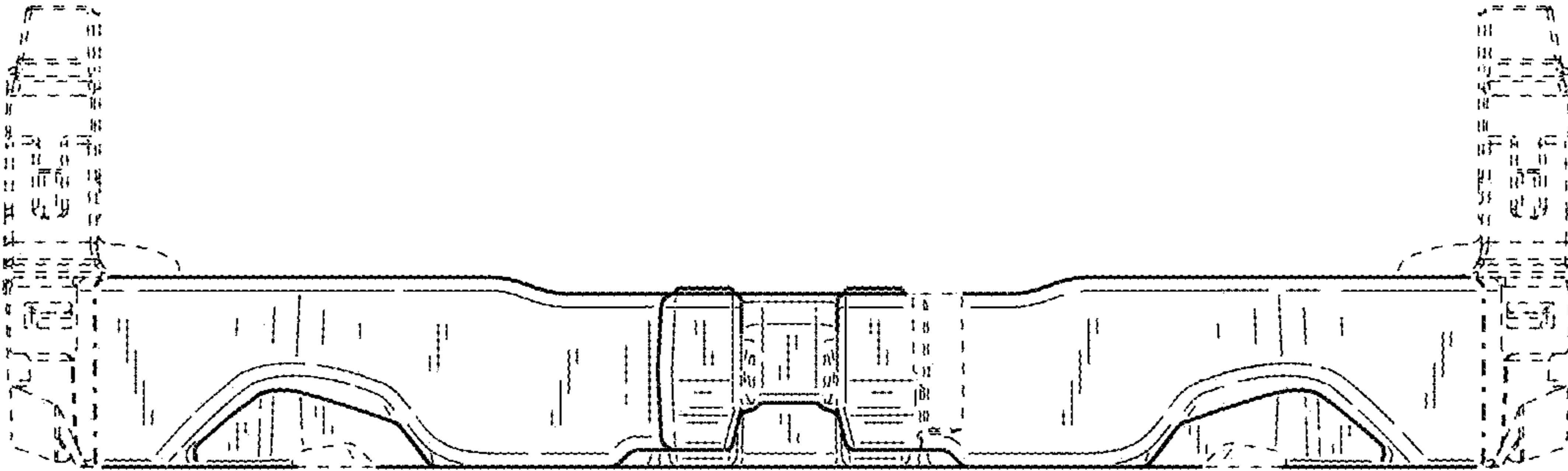


FIG. 7

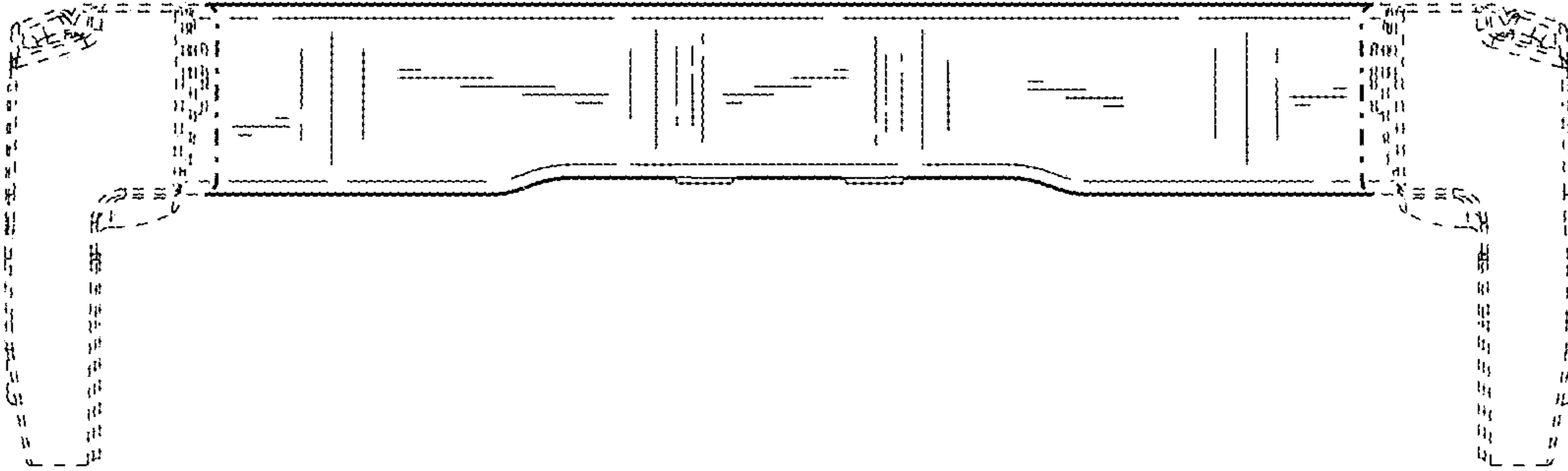


FIG. 8