



US00D978200S

(12) **United States Design Patent**
Vintzel

(10) **Patent No.:** **US D978,200 S**

(45) **Date of Patent:** **** Feb. 14, 2023**

(54) **AIR COMPRESSOR**

(71) Applicant: **Harbor Freight Tools USA, Inc.**,
Calabasas, CA (US)

(72) Inventor: **James Constantine Vintzel**, Jackson,
TN (US)

(73) Assignee: **HARBOR FREIGHT TOOLS USA,
INC.**, Calabasas, CA (US)

(**) Term: **15 Years**

(21) Appl. No.: **29/802,119**

(22) Filed: **Aug. 3, 2021**

(51) **LOC (14) Cl.** **15-02**

(52) **U.S. Cl.**
USPC **D15/9**

(58) **Field of Classification Search**
USPC D13/103, 112; D15/7-9
CPC .. E03B 5/00; F04B 41/02; F04B 41/06; F04B
35/04; F04B 35/06; F04B 25/00; F04B
17/06; F04B 17/03; F04B 53/18; F04B
23/00; F04B 41/00; F04C 2210/221;
F04C 2240/30

See application file for complete search history.

(56) **References Cited**

U.S. PATENT DOCUMENTS

D449,311 S	*	10/2001	Graber	D15/9
D535,309 S	*	1/2007	Breecham	D15/9
D902,260 S	*	11/2020	Vintzel	D15/7
D916,140 S	*	4/2021	Vintzel	D15/7

OTHER PUBLICATIONS

Harbor Freight, McGraw 29 gallon, 1.8 HP, 165 PSI Oil-Lube Vertical Air Compressor, (site visited Sep. 22, 2022), Harbor Freight website, URL:<<https://www.harborfreight.com/air-tools-compressors/>

air-compressors-tanks/air-compressors/29-gallon-18-hp-165-psi-oil-lube-vertical-air-compressor-58507.html> (Year: 2022).*

Harbor Freight, Central Pneumatic 29 gallon, Cast Iron Vertical Air Compressor, (site visited Sep. 22, 2022), Harbor Freight website, URL:<<https://www.harborfreight.com/29-gallon-2-hp-150-psi-cast-iron-vertical-air-compressor-61489.html>> (Year: 2022).*

NorthStar, Single-Stage Portable Electric Air Compressor, (first available Jul. 23, 2015), Amazon.com, URL:<<https://www.amazon.com/NorthStar-Drive-Single-Stage-Portable-Compressor/dp/B007W0YSG8>> (Year: 2015).*

Eastwood, 29 Gallon Air Compressor Single Stage Vertical Portable With Wheels, (first available Apr. 11, 2019), Amazon.com, URL:<<https://www.amazon.com/Eastwood-Gallon-Compressor-Vertical-Portable/dp/B07QMY7M9S>> (Year: 2019).*

* cited by examiner

Primary Examiner — Calvin E Vansant

Assistant Examiner — Mark T. Philipps

(74) *Attorney, Agent, or Firm* — McAndrews Held & Malloy, Ltd.

(57) **CLAIM**

The ornamental design for an air compressor, as shown and described.

DESCRIPTION

FIG. 1 is a top-rear perspective view of an air compressor showing my new design;

FIG. 2 is a rear elevation view thereof;

FIG. 3 is a front elevation thereof;

FIG. 4 is a left side elevation view thereof;

FIG. 5 is a right side elevation view thereof;

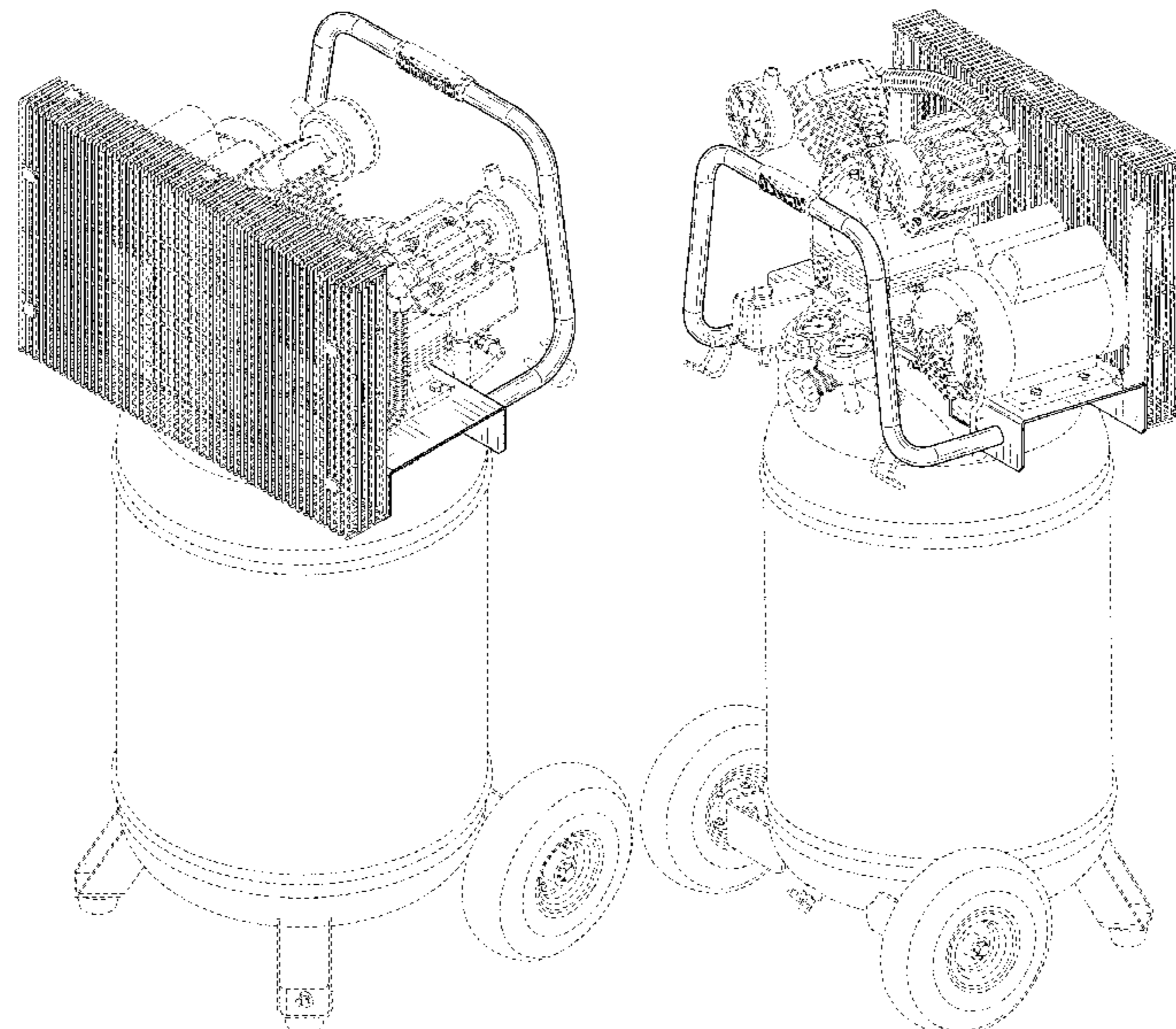
FIG. 6 is a top plan view thereof;

FIG. 7 is a bottom plan view thereof; and,

FIG. 8 is a top-front perspective view thereof.

The dashed broken lines in the figures illustrate portions of the air compressor that form no part of the claimed design.

1 Claim, 8 Drawing Sheets



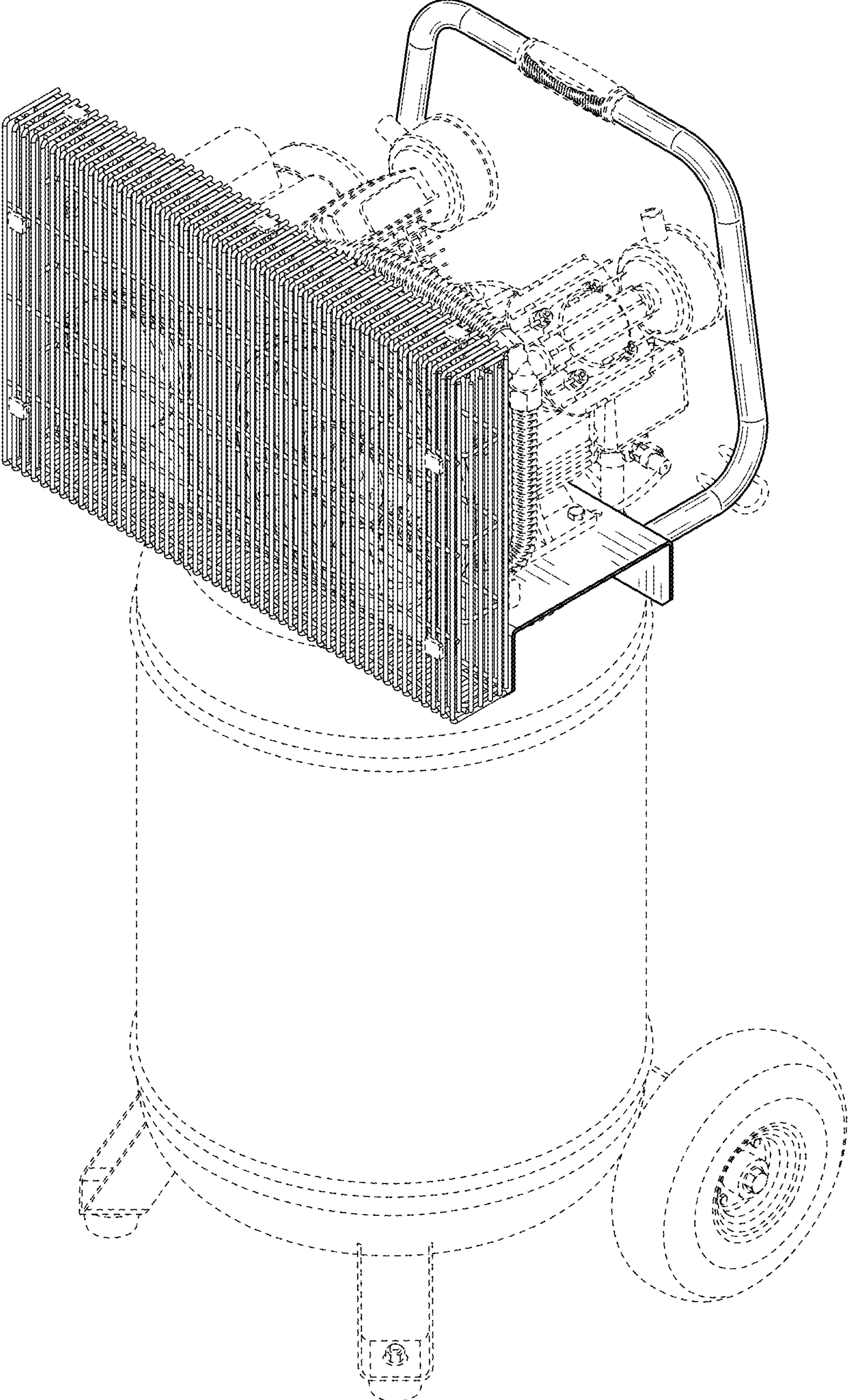


FIG. 1

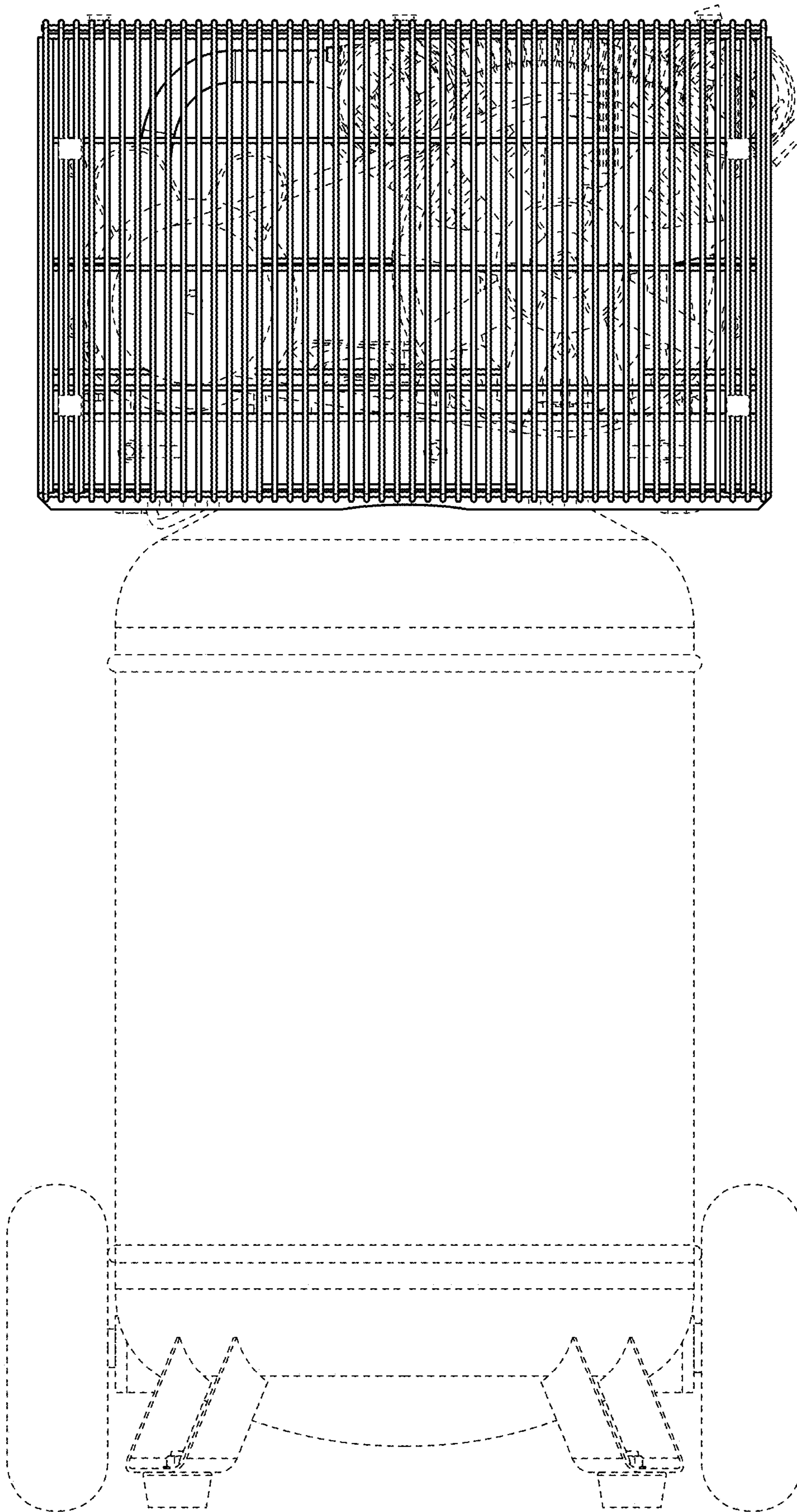


FIG. 2

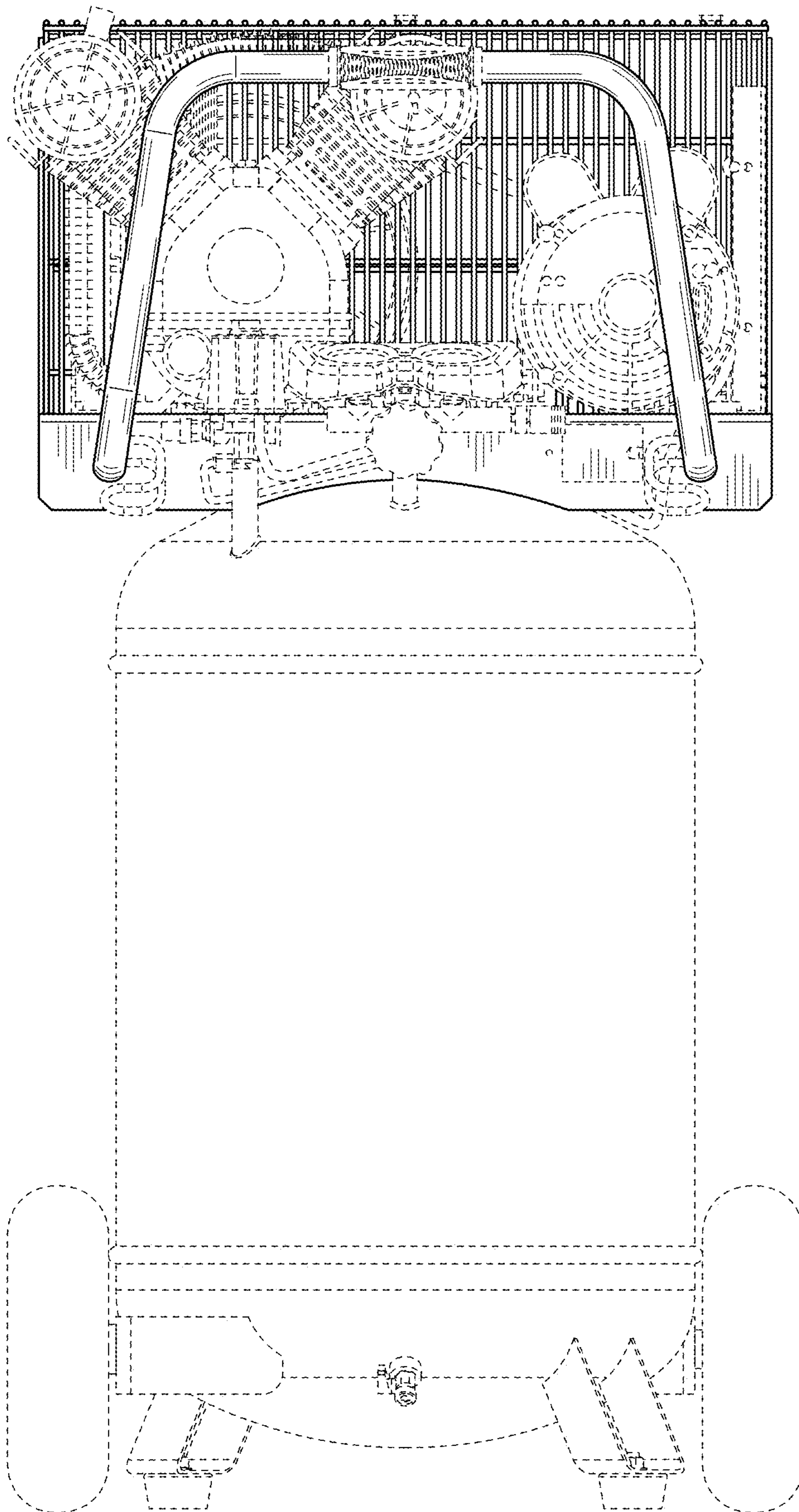


FIG. 3

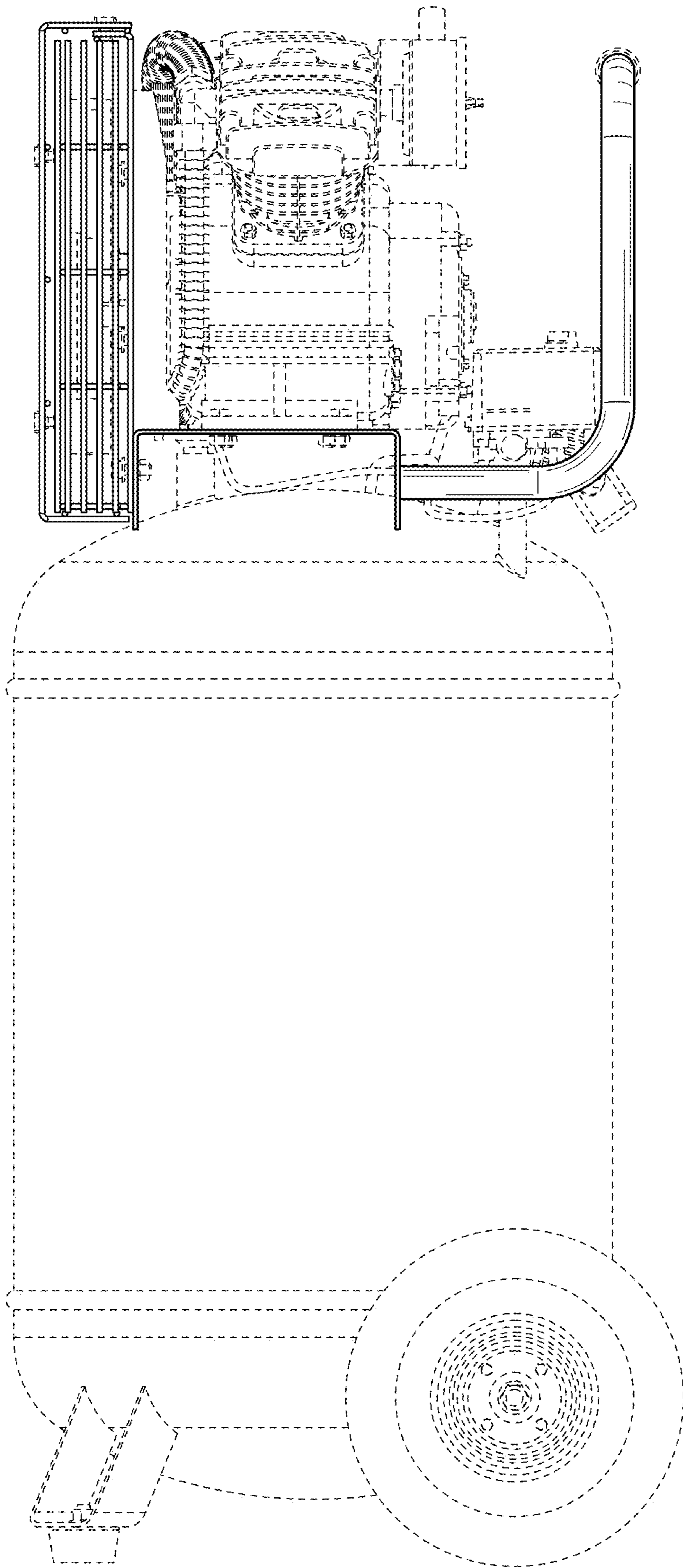


FIG. 4

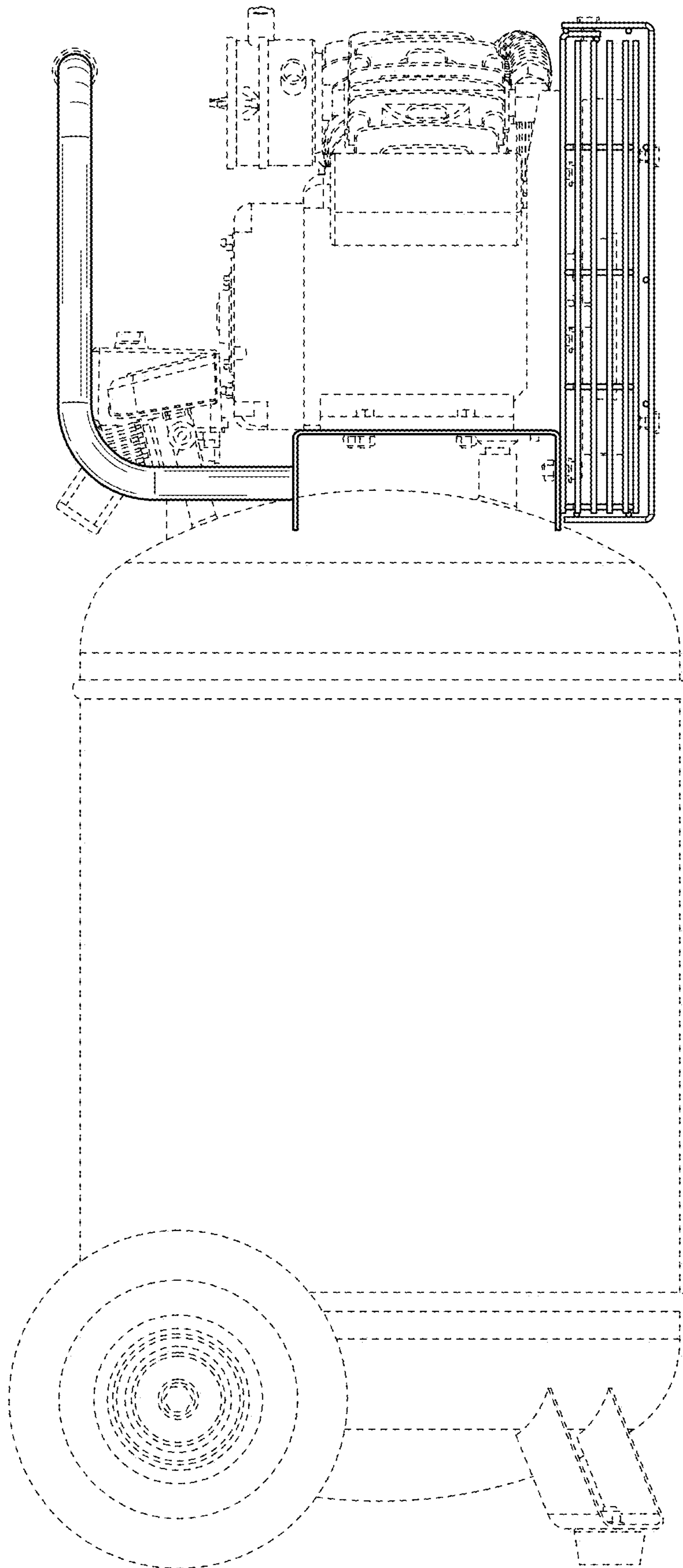


FIG. 5

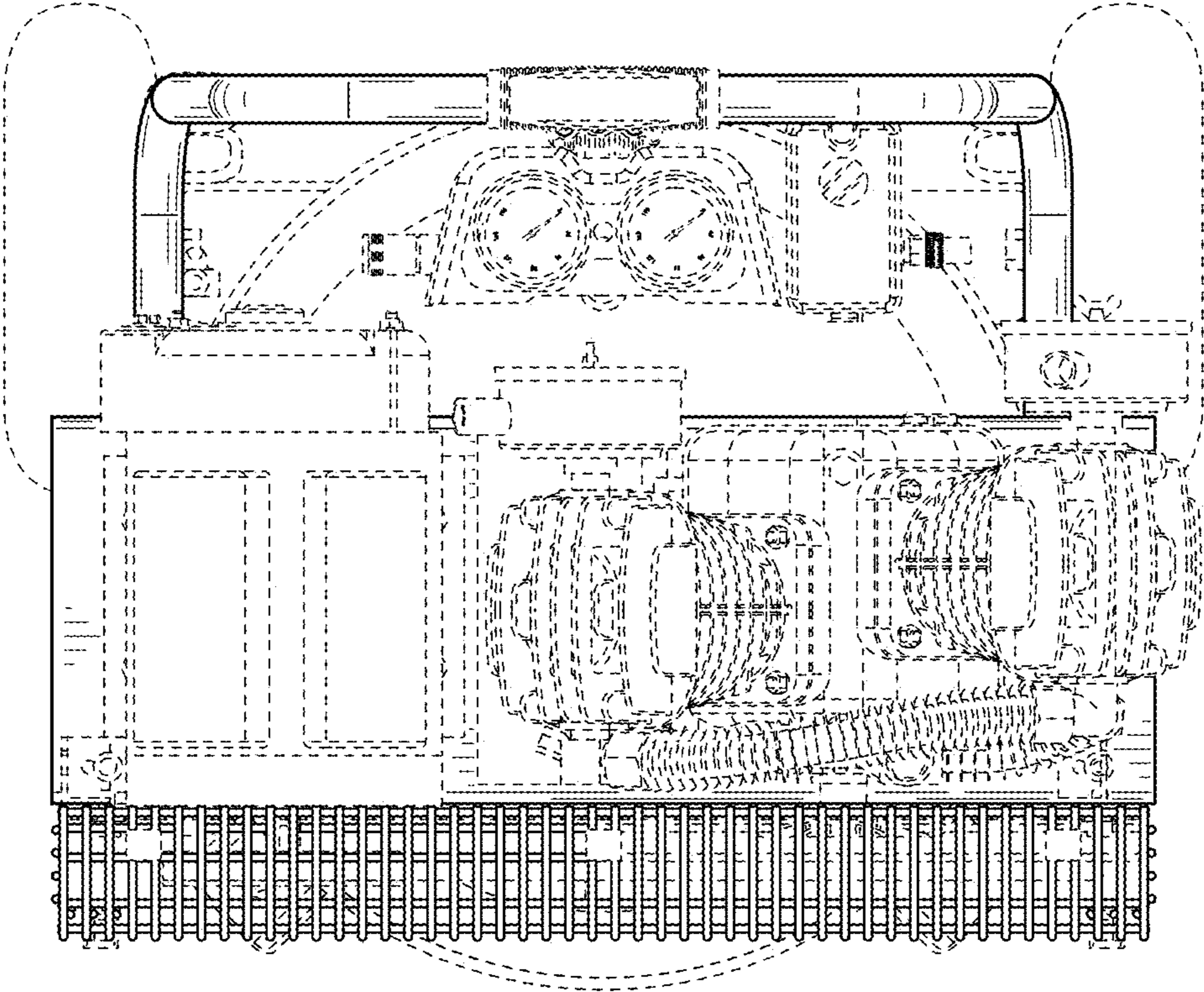


FIG. 6

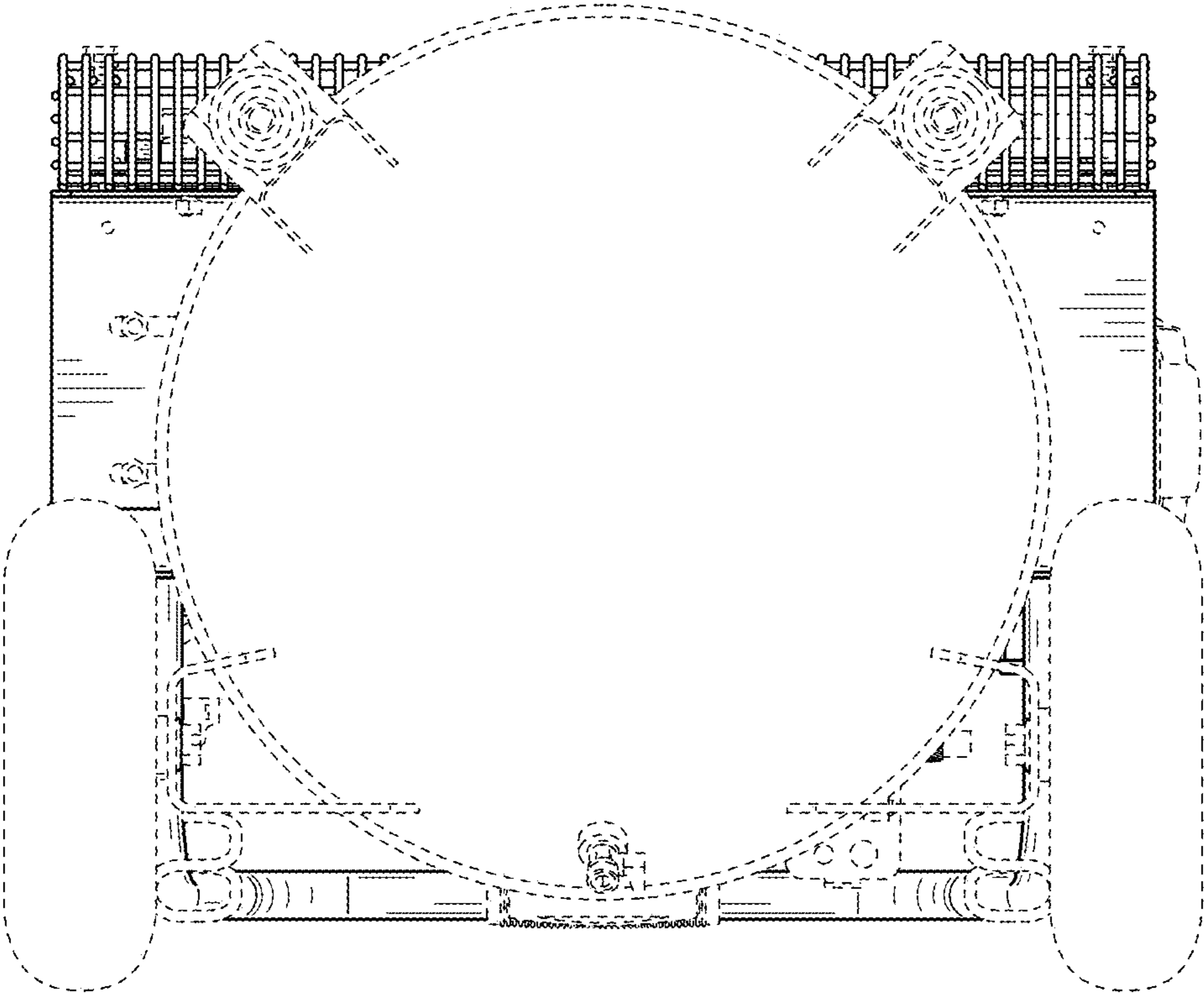


FIG. 7

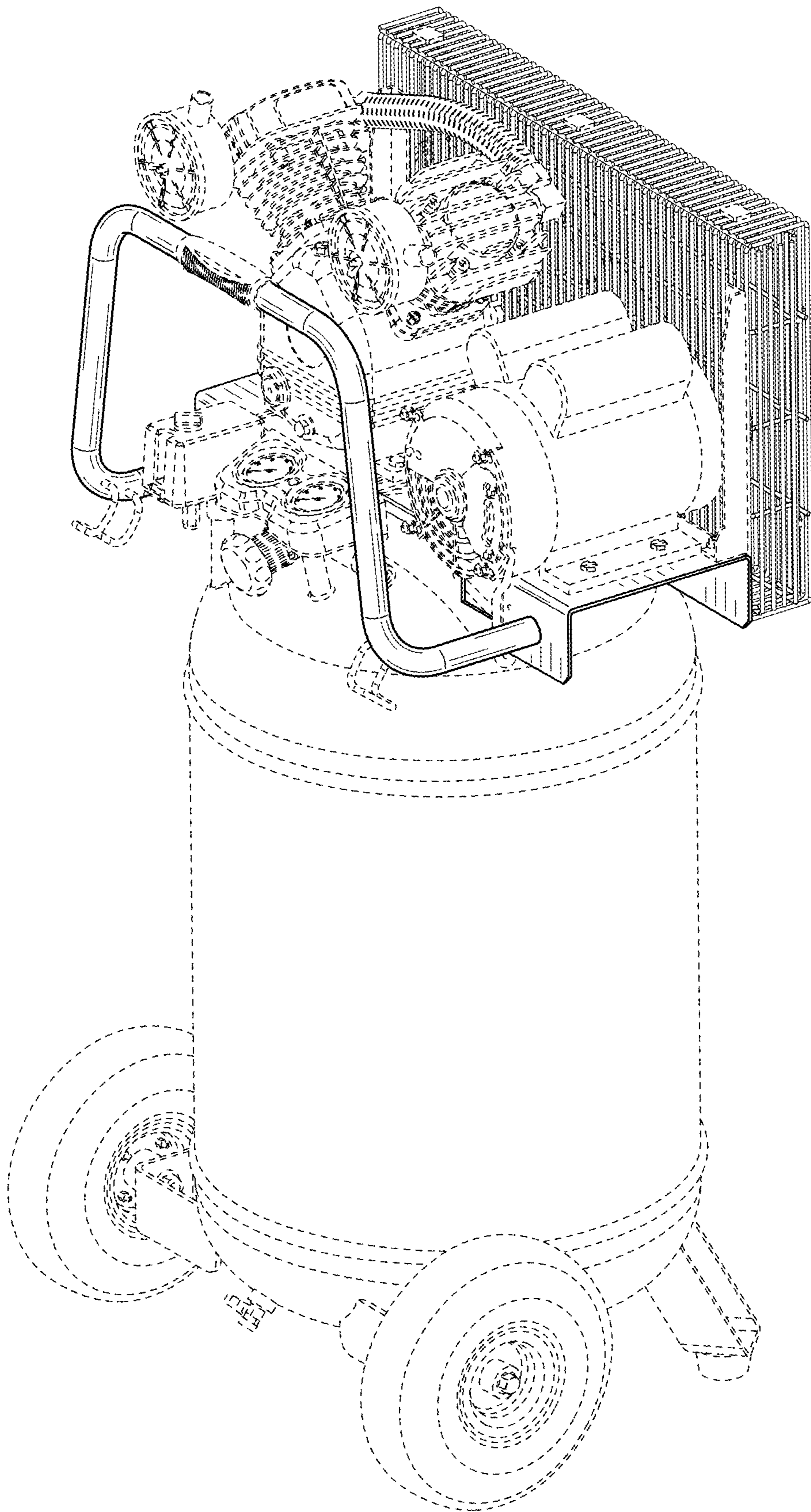


FIG. 8