



US00D978199S

(12) **United States Design Patent**  
**Shum**

(10) **Patent No.:** **US D978,199 S**

(45) **Date of Patent:** **\*\* Feb. 14, 2023**

(54) **INFLATOR**

(71) Applicant: **VECTOR PRODUCTS, INC.**, Boca Raton, FL (US)

(72) Inventor: **Ling To Shum**, Boca Raton, FL (US)

(73) Assignee: **VECTOR PRODUCTS, INC.**, Boca Raton, FL (US)

(\*\*) Term: **15 Years**

(21) Appl. No.: **29/775,561**

(22) Filed: **Mar. 24, 2021**

(51) **LOC (14) Cl.** ..... **15-02**

(52) **U.S. Cl.**  
USPC ..... **D15/9; D15/7**

(58) **Field of Classification Search**

USPC ..... D15/7-9; D8/61, 68

CPC ..... F04B 53/00; F04B 49/00; F04B 17/03;

F04B 35/06; F04B 33/005; F04B 17/06;

E03B 5/00; B25B 21/02; B60S 5/04;

B60S 5/046; F04D 25/0673

See application file for complete search history.

(56) **References Cited**

**U.S. PATENT DOCUMENTS**

D423,519 S *	4/2000	Bonzer	.....	D15/9
D535,167 S *	1/2007	Monfeli	.....	D8/30
D679,161 S *	4/2013	Kawase	.....	D8/68
8,910,728 B2 *	12/2014	Okuda	.....	B25F 5/02
				173/171
D721,938 S *	2/2015	Aoki	.....	D8/68
D817,364 S *	5/2018	He	.....	D15/7
D826,669 S *	8/2018	Kosugi	.....	D8/68
D849,296 S *	5/2019	Inskeep	.....	D26/45

(Continued)

**OTHER PUBLICATIONS**

Vector, Vector 120 PSI 12V DC Powered Air Compressor on QVC, (uploaded Jan. 8, 2022), YouTube.com, URL:<<https://www.youtube.com/watch?v=MDZ3w83IIGY>> (Year: 2022).\*

(Continued)

*Primary Examiner* — Calvin E Vansant

*Assistant Examiner* — Mark T. Philipps

(74) *Attorney, Agent, or Firm* — Daniel S. Polley, P.A.

(57) **CLAIM**

The ornamental design for an inflator, as shown and described.

**DESCRIPTION**

FIG. 1 is a top perspective view of the inflator, showing the new design;

FIG. 2 is a bottom perspective view of the inflator, showing the new design;

FIG. 3 is a top view thereof;

FIG. 4 is a bottom view thereof with the filler hose removed from the lower retainer clip for ease of illustration;

FIG. 5 is a left side view thereof;

FIG. 6 is a right side view thereof;

FIG. 7 is a front view thereof;

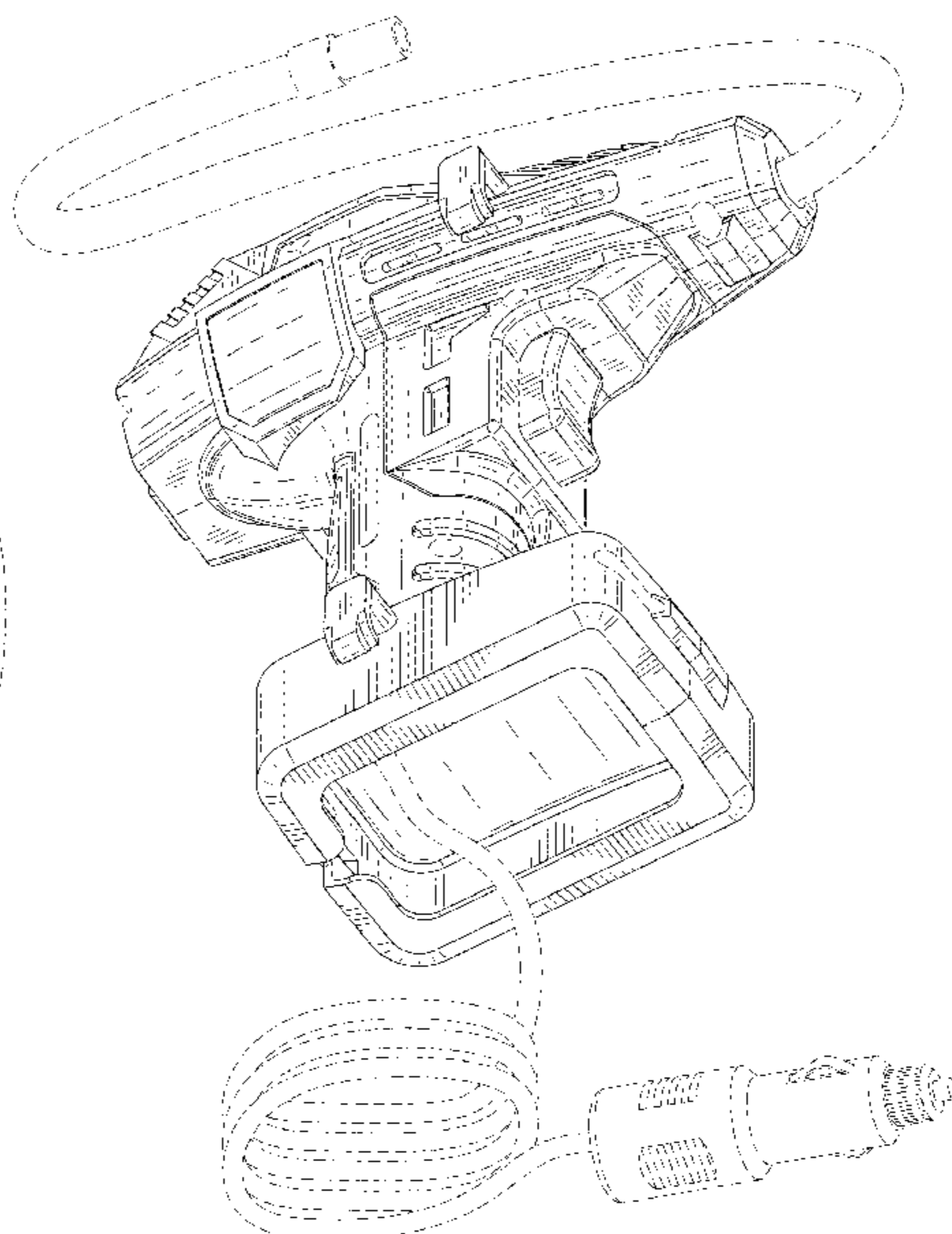
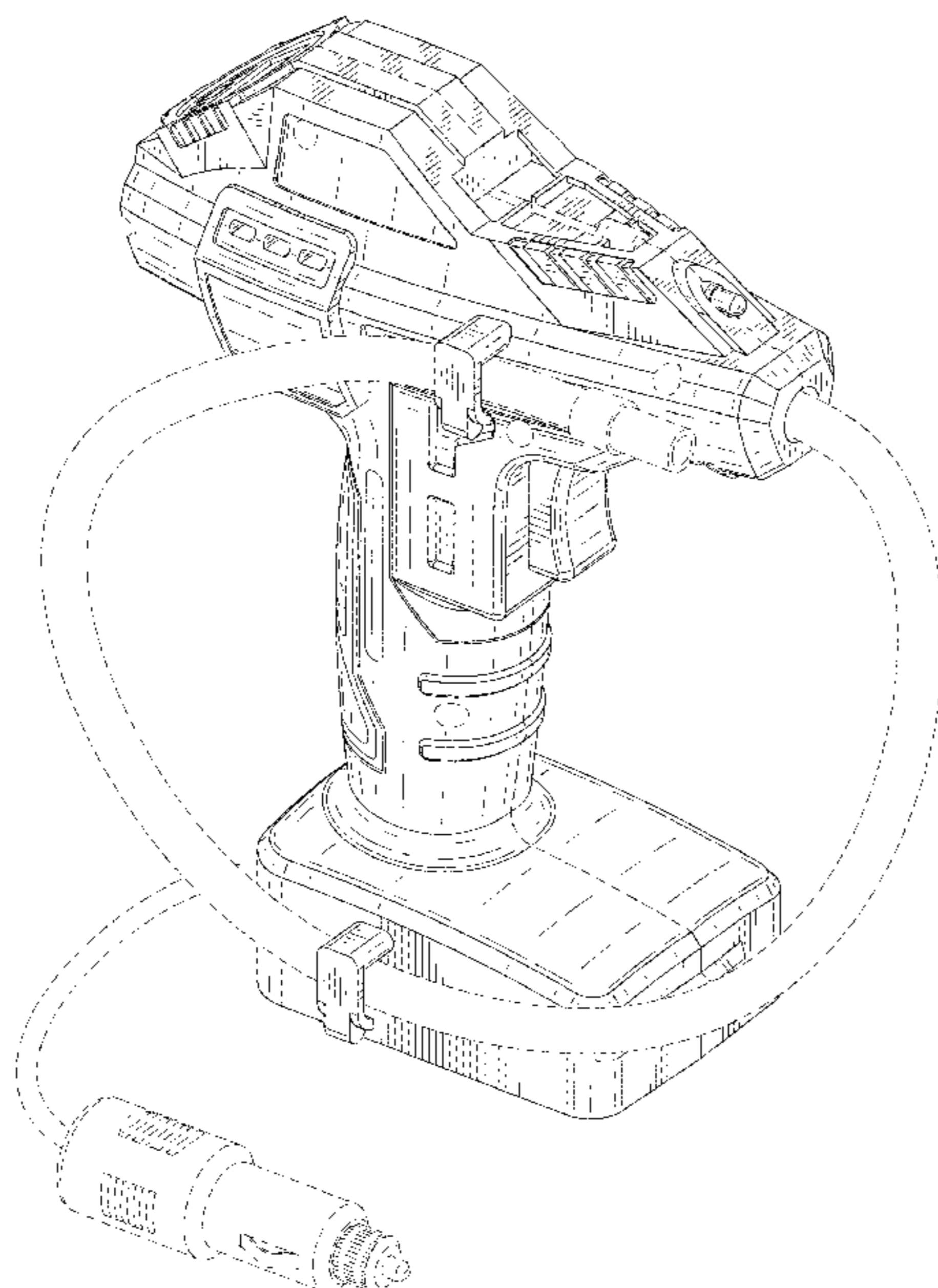
FIG. 8 is a back view thereof with the filler hose removed from the lower retainer clip for ease of illustration;

FIG. 9 is another bottom view thereof with the charging cable/adaptor removed from the cable storage cavity in the base for ease of illustration; and,

FIG. 10 is another bottom perspective view of the inflator, showing the new design with the filler hose removed from the lower retainer clip and the charging cable/adaptor removed from the cable storage cavity in the base for ease of illustration.

In the figures, features shown by broken lines depict portions of the inflator and form no part of the claimed design. Lines with varied length and breaks indicate surface shading and the lines themselves form no part of the claimed design.

**1 Claim, 9 Drawing Sheets**



(56)

**References Cited**

U.S. PATENT DOCUMENTS

D870,525 S \* 12/2019 Zhang ..... D8/30  
D882,365 S \* 4/2020 Xu ..... D8/68  
D895,389 S \* 9/2020 Matteo ..... D8/68  
D917,575 S \* 4/2021 Zhang ..... D15/7  
D918,270 S \* 5/2021 Tang ..... D15/7  
2017/0080449 A1 \* 3/2017 Lee ..... B05C 17/0053

OTHER PUBLICATIONS

Vector, Vector 120 PSI 12V DC Powered Air Compressor on QVC, (site visited Jun. 28, 2022), QVC.com, URL:<<https://www.qvc.com/Vector-120-PSI-12V-DC-Powered-Air-Compressor-Air-Compressor-product.V39905.html>> (Year: 2022).\*

Yahoo!News, Consumer Reports “Cordless Tire Inflators Prove to Be an Easy Way to Get the Job Done”, (Published Sep. 2, 2017), Yahoo! News website, URL:<<https://news.yahoo.com/cordless-tire-inflators-prove-easy-way-job-done-100032916>> (Year: 2017).\*

AstroAI, Cordless Tire Inflator Air Compressor 20V Rechargeable Battery Powered 160PSI Portable, (first available Oct. 24, 2021), Amazon.com, URL:<<https://www.amazon.com/dp/B0948WY5YX>> (Year: 2021).\*

\* cited by examiner

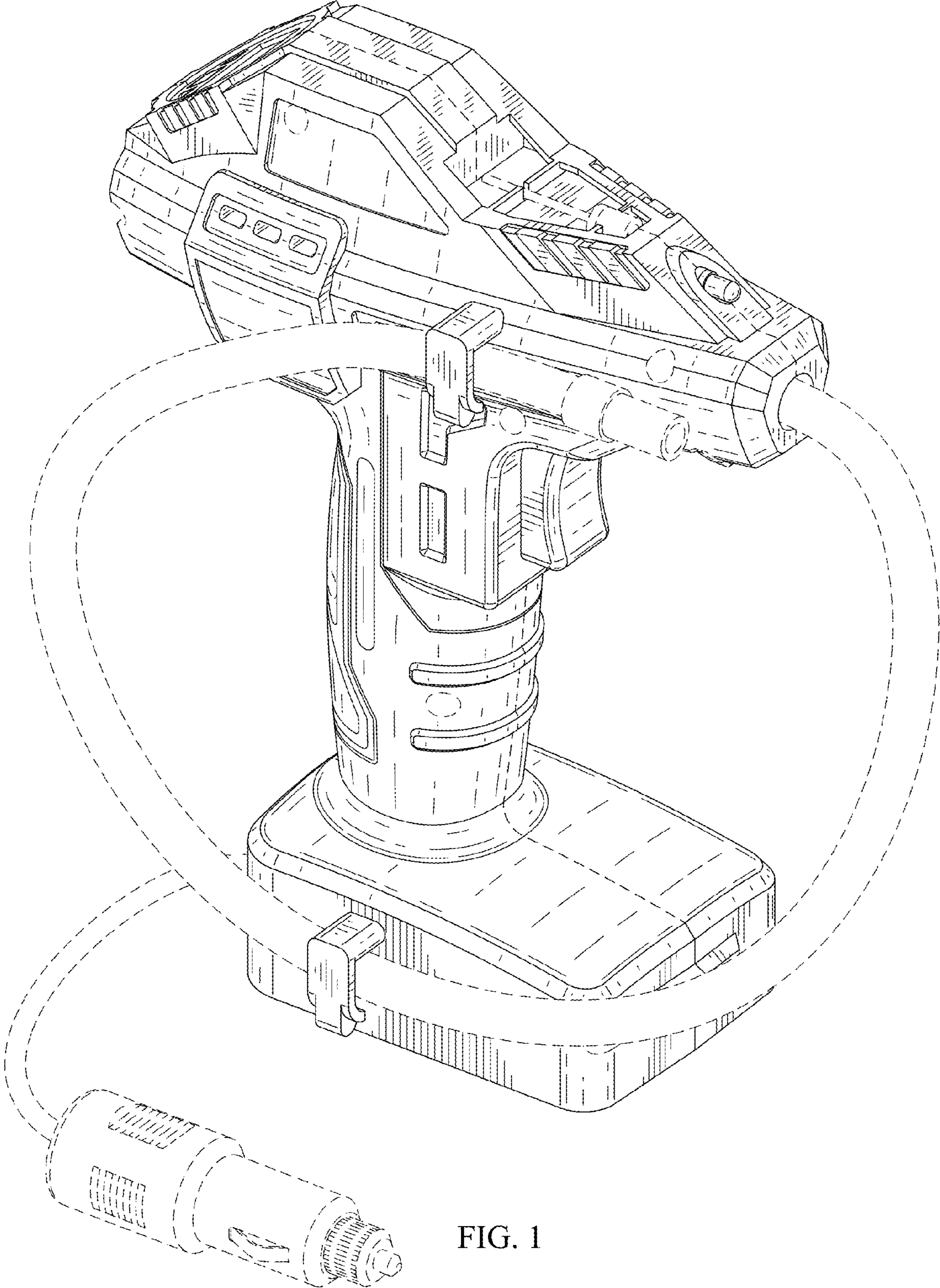


FIG. 1

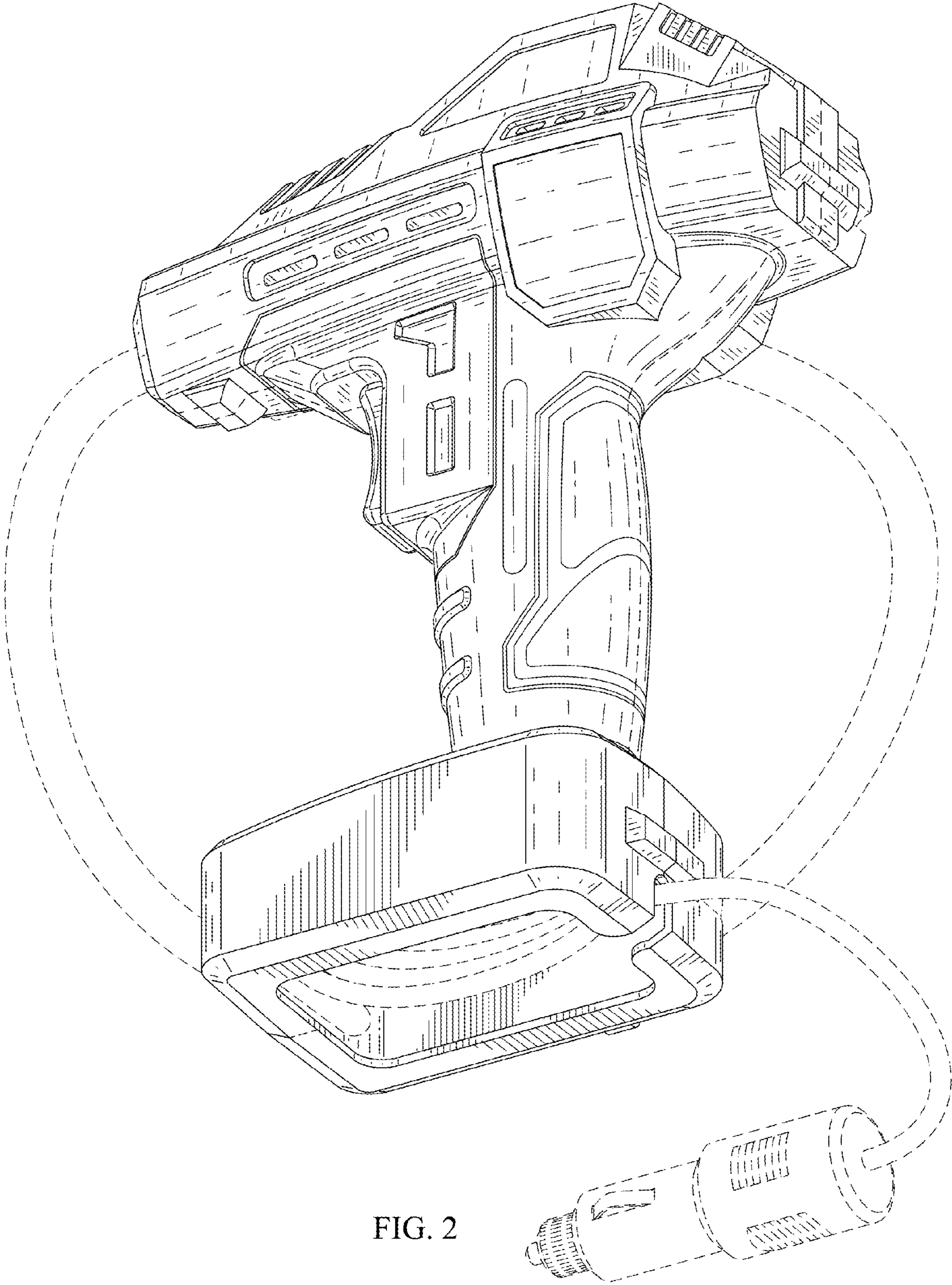
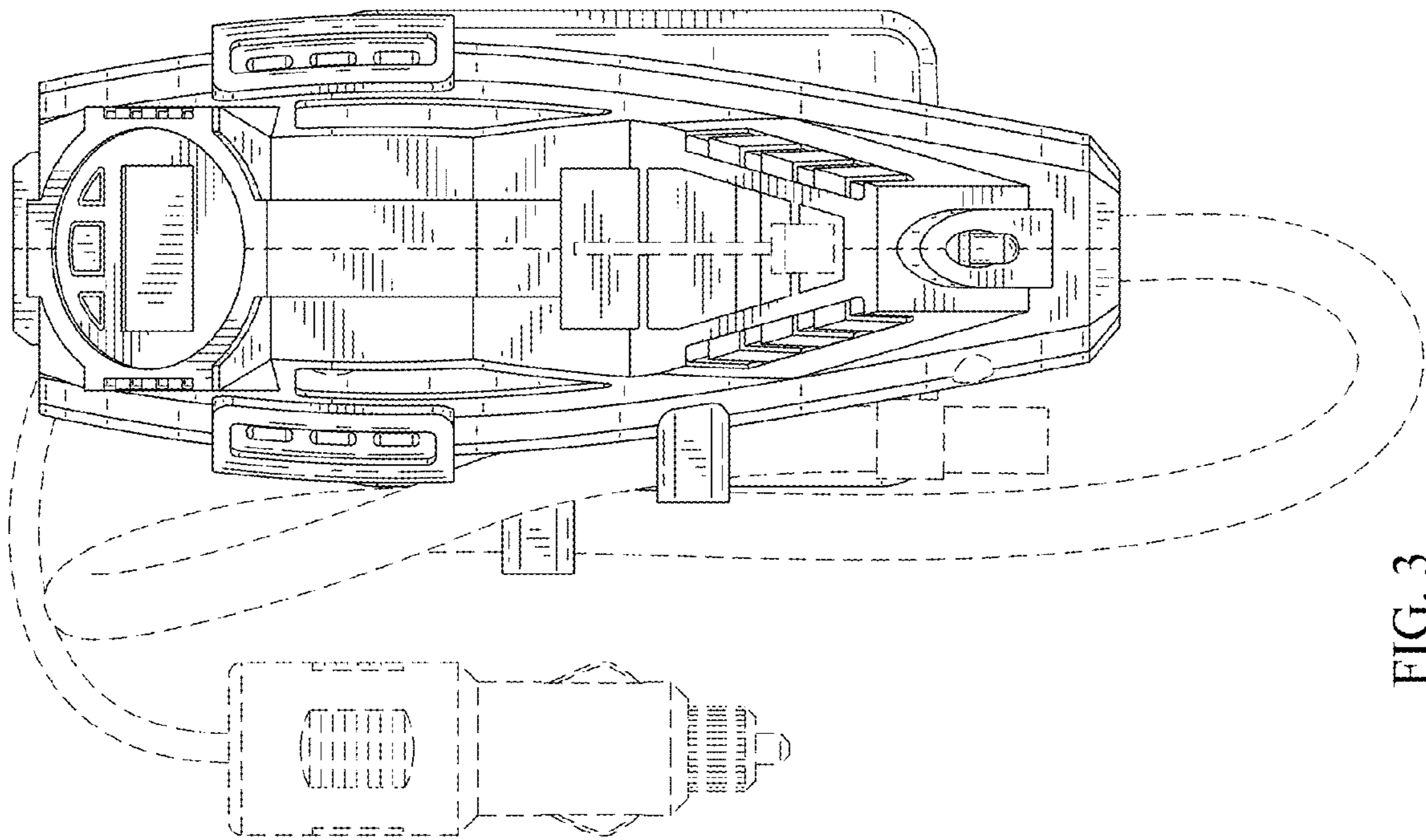
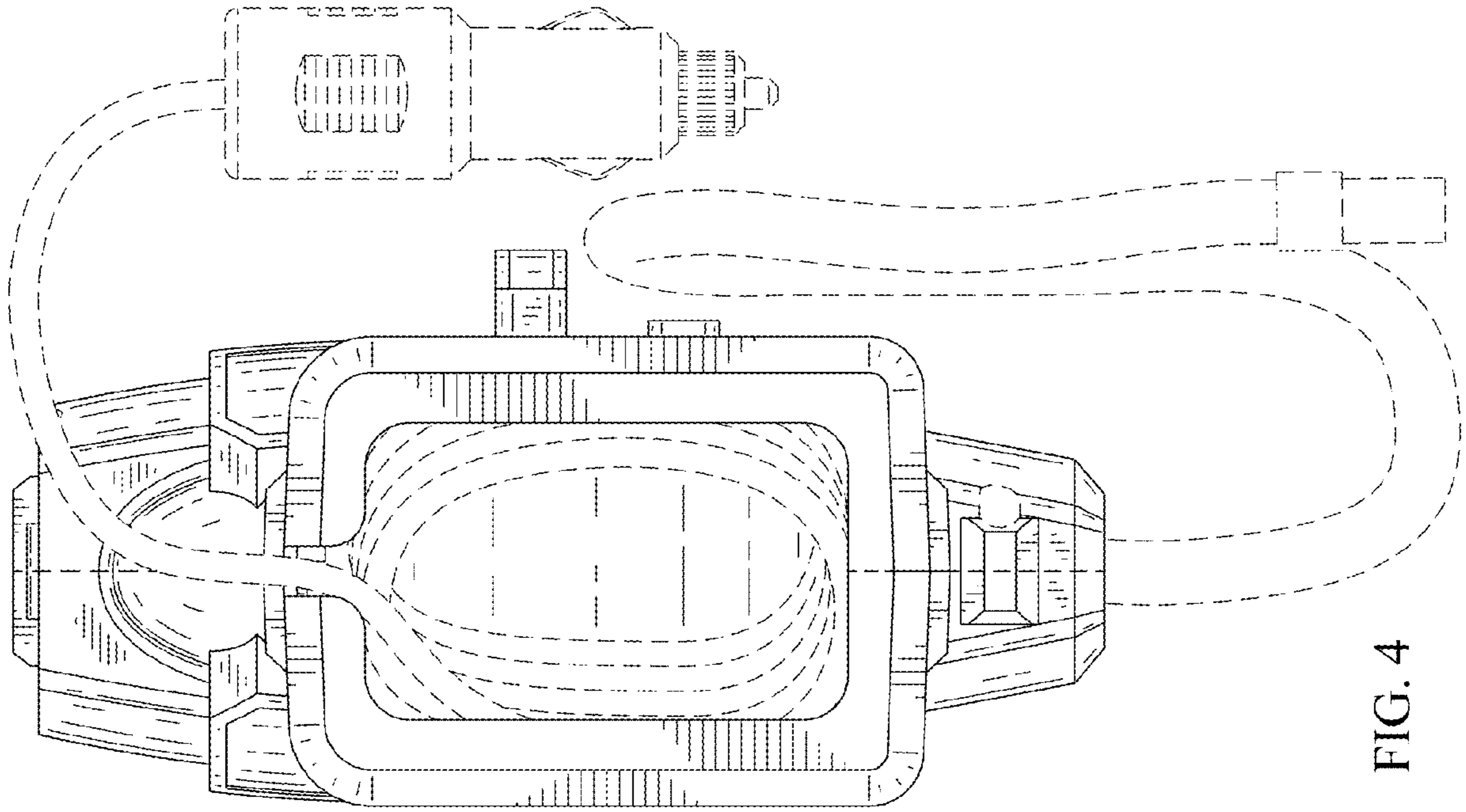


FIG. 2



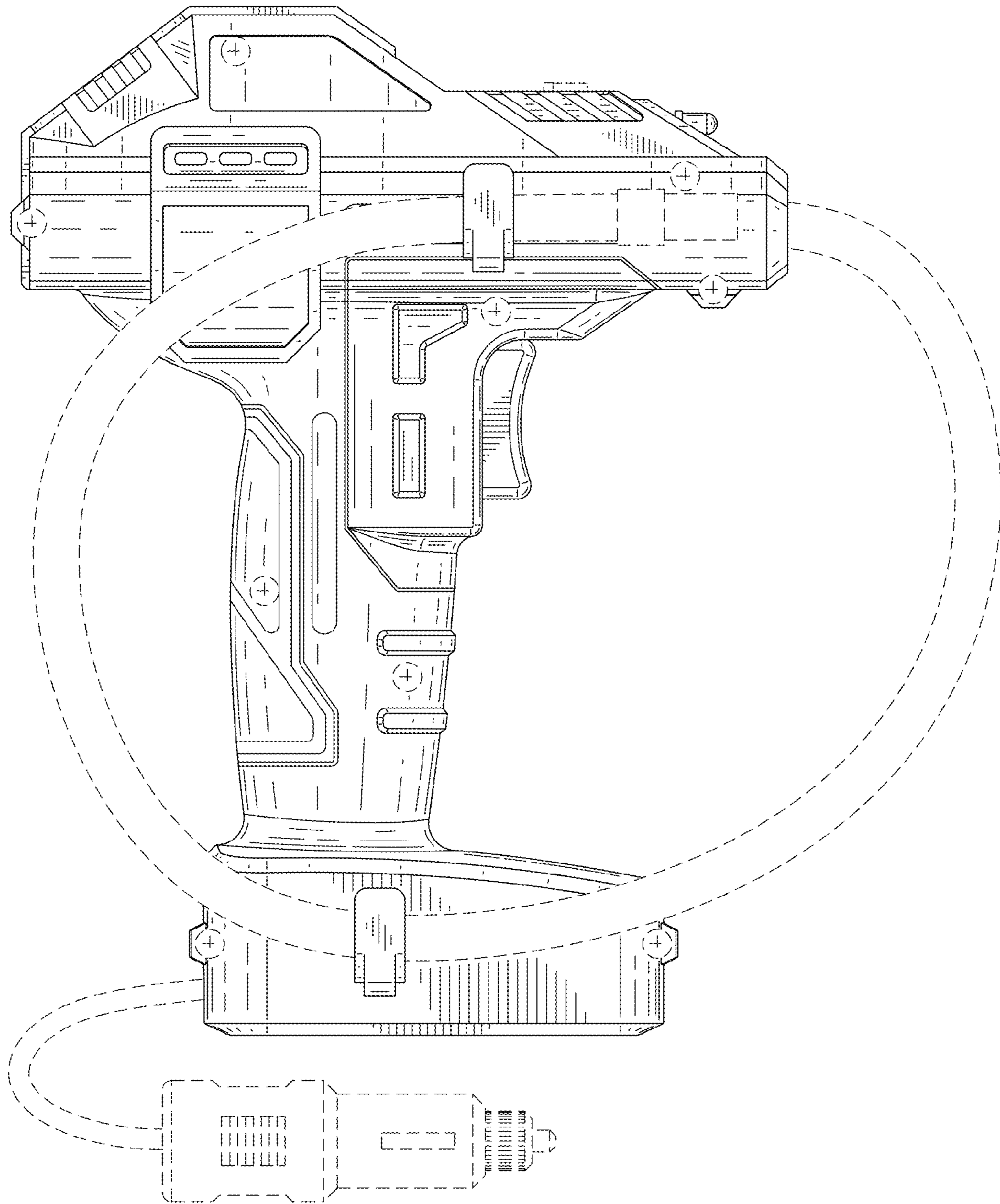


FIG. 5

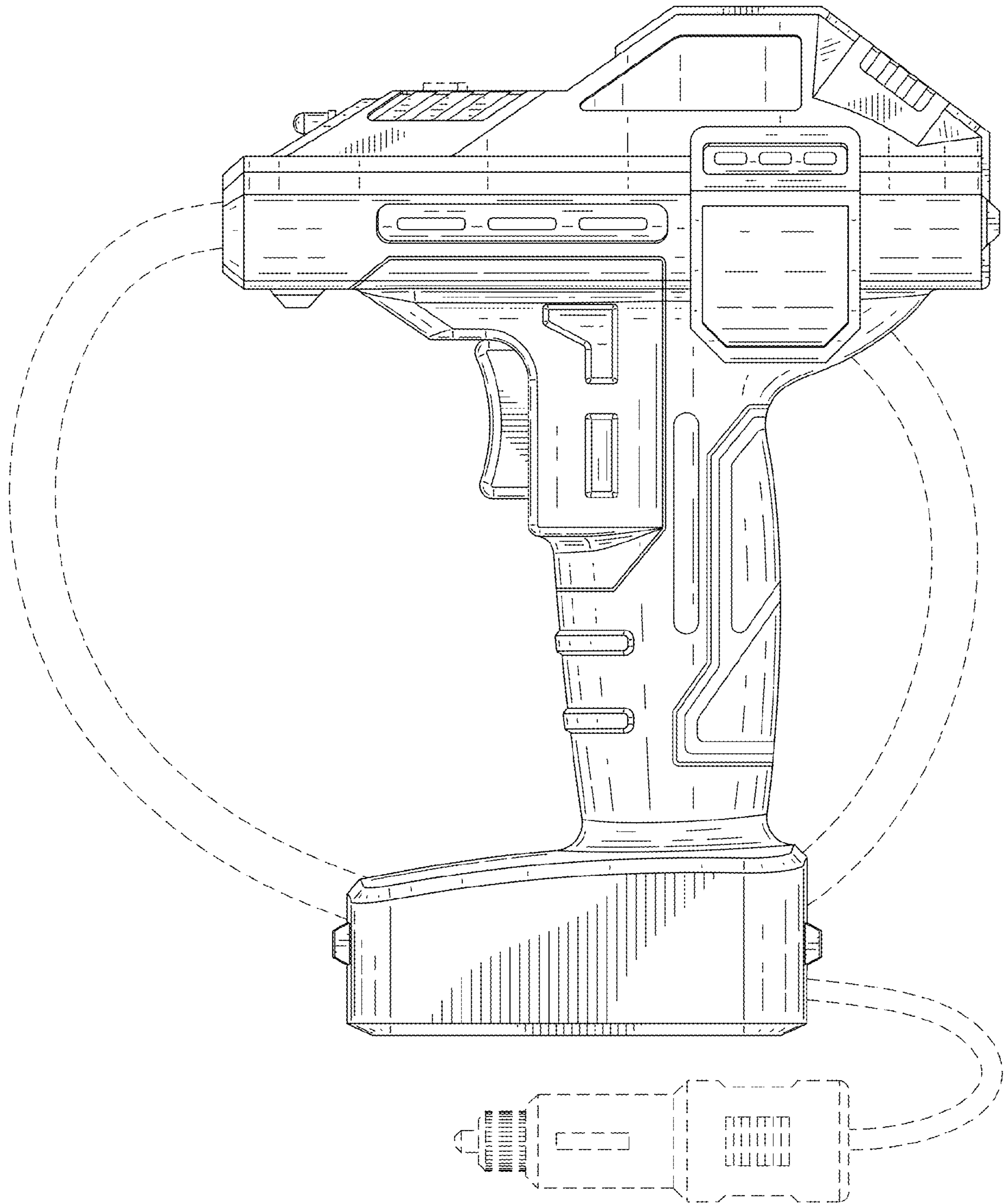


FIG. 6

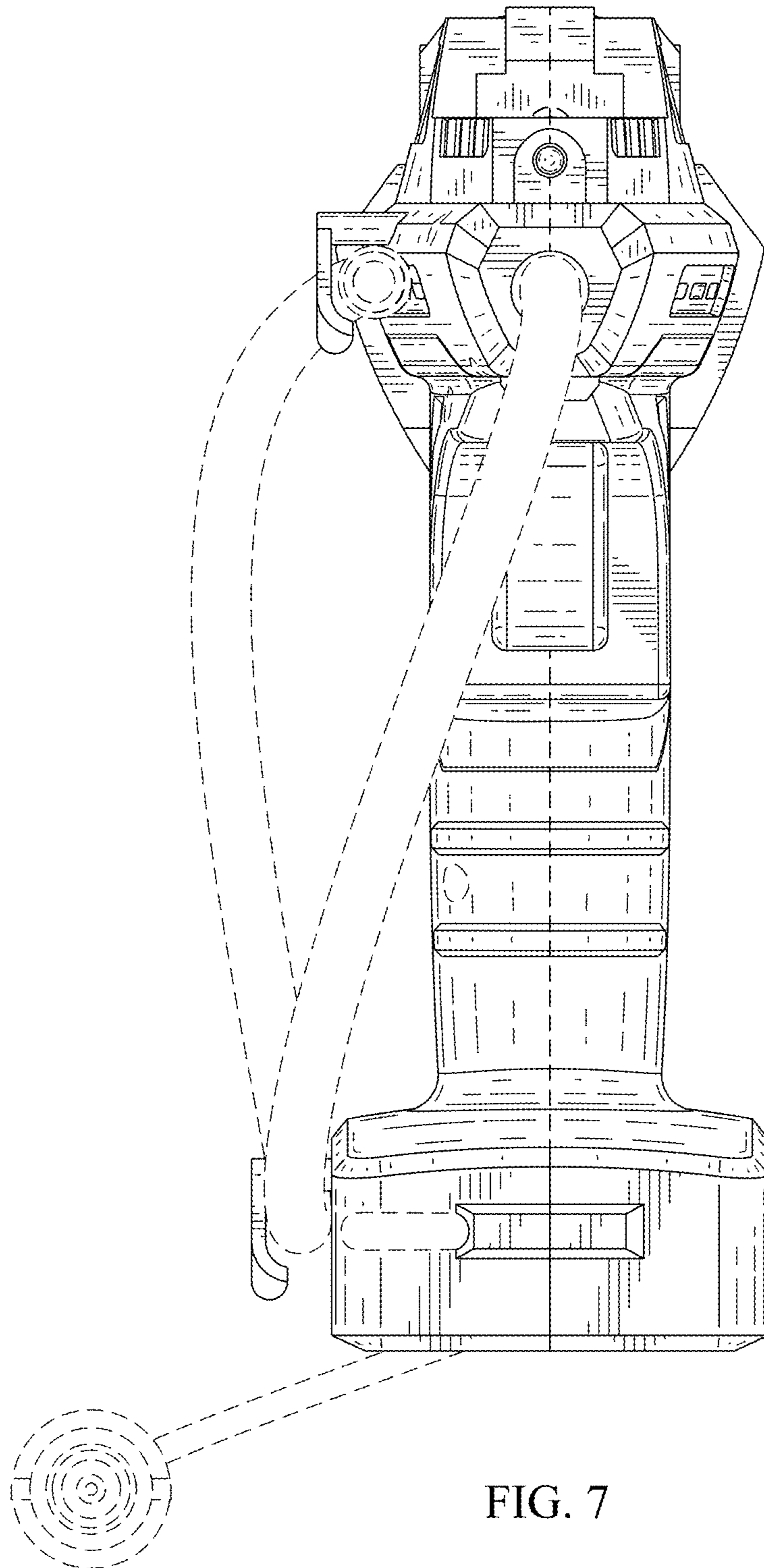


FIG. 7



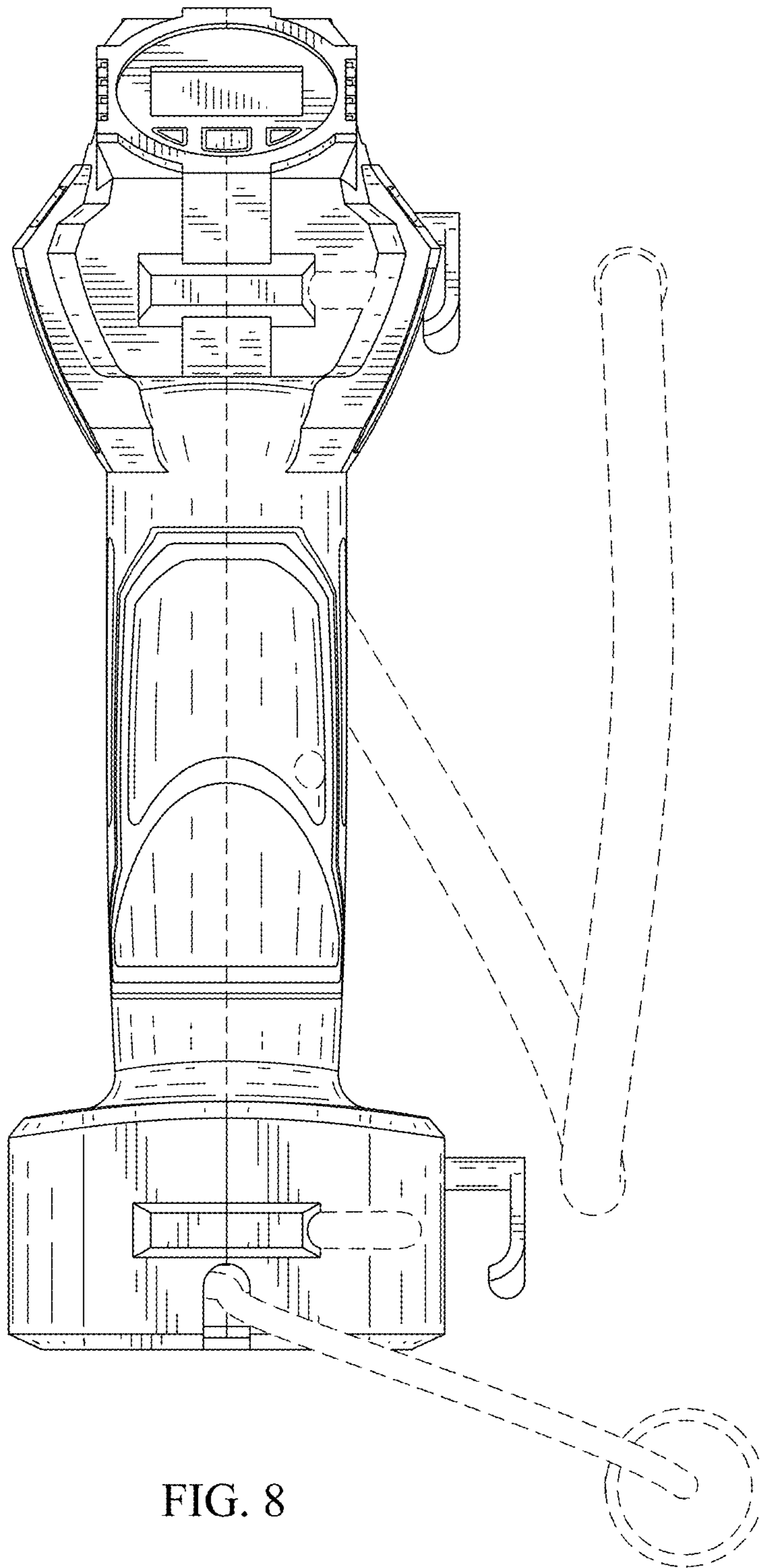


FIG. 8

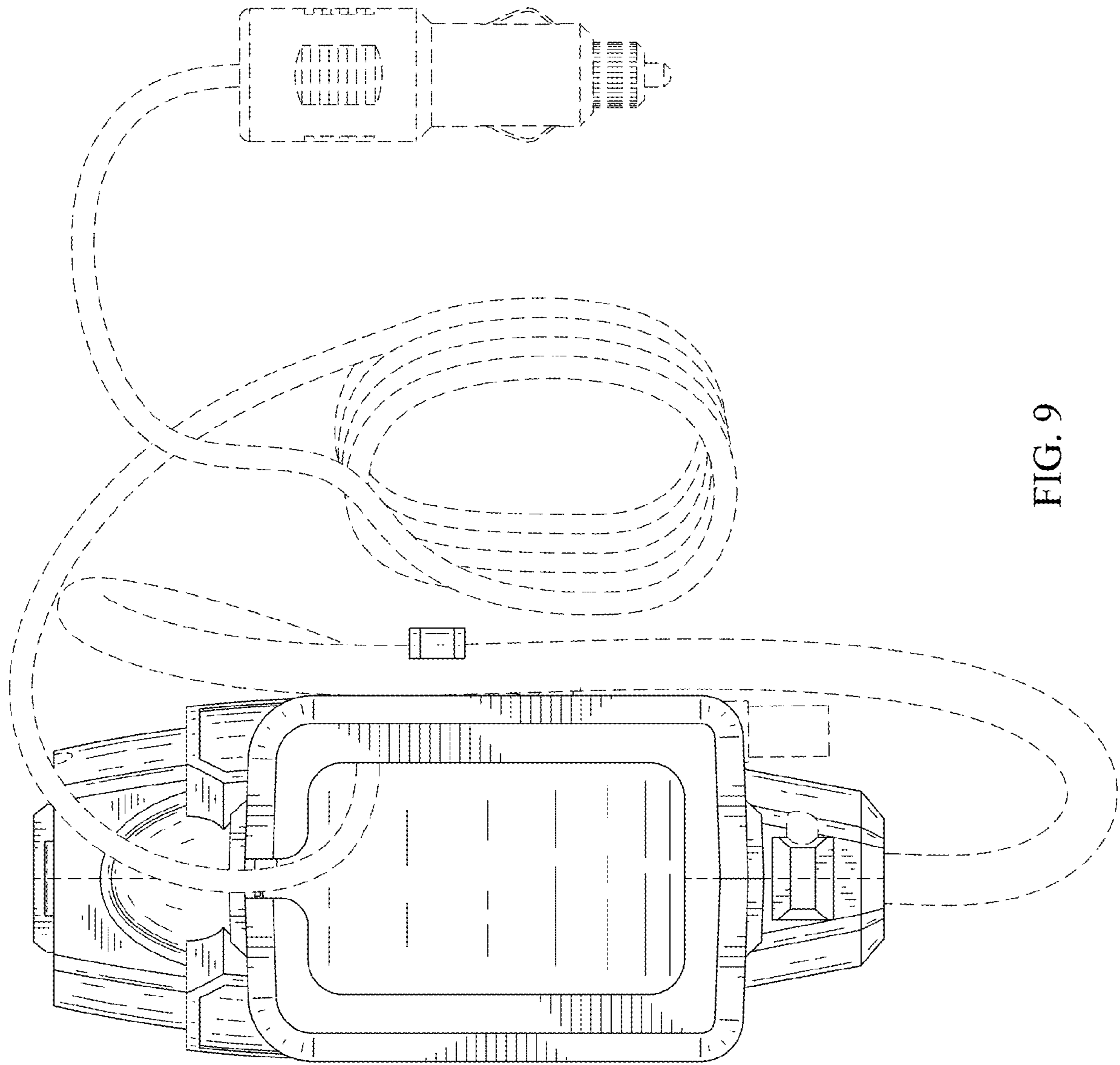


FIG. 9

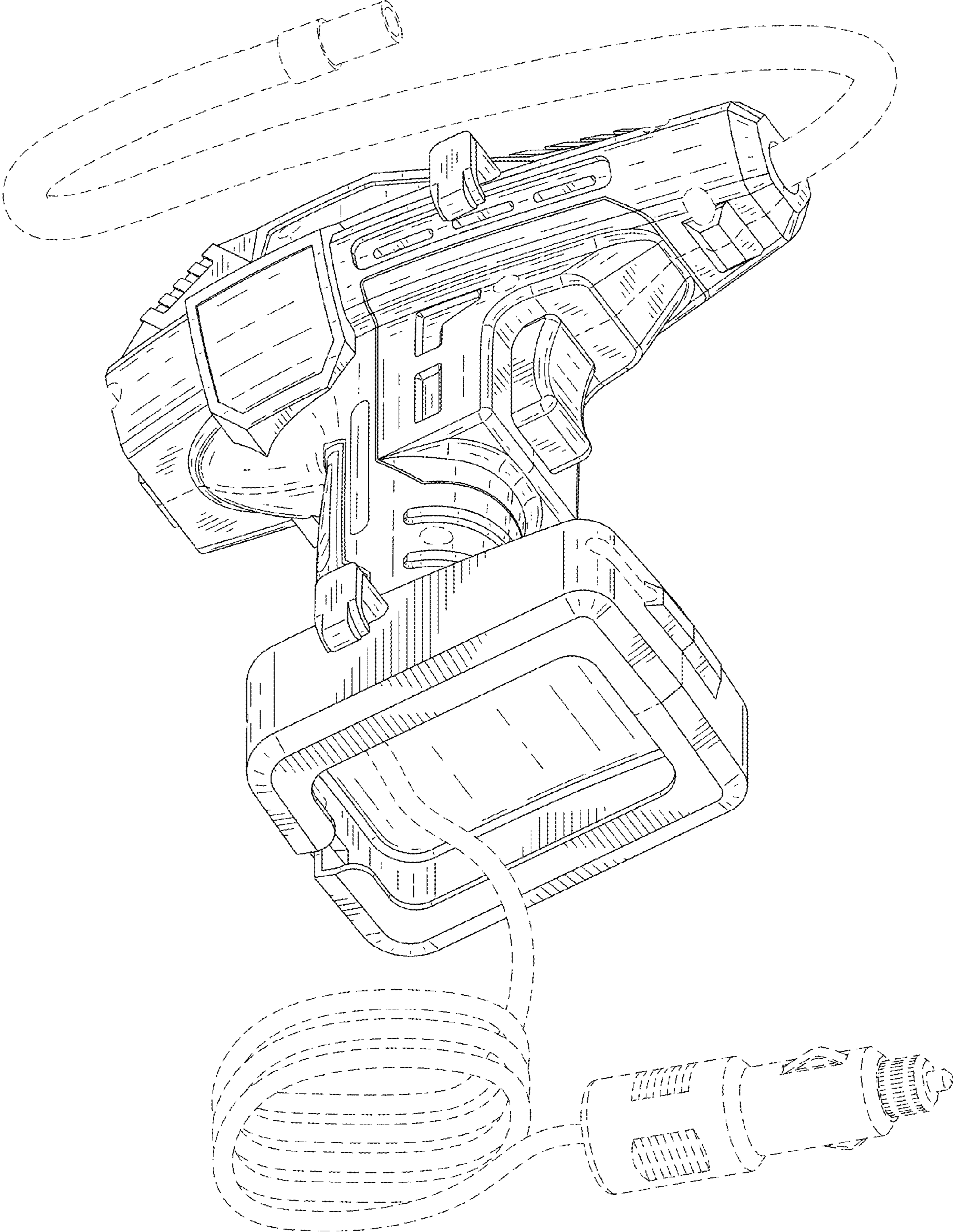


FIG. 10