



US00D978198S

(12) **United States Design Patent** (10) **Patent No.:** **US D978,198 S**  
**Lee** (45) **Date of Patent:** **\*\* Feb. 14, 2023**

(54) **SPRING FOR PUMP** 4,136,802 A \* 1/1979 Mascia ..... B05B 9/0838  
222/340  
(71) Applicant: **PUM-TECH KOREA CO., LTD,** 5,165,866 A \* 11/1992 Kato ..... F04B 9/042  
Incheon (KR) 417/372  
(72) Inventor: **Do Hoon Lee,** Incheon (KR) D491,393 S \* 6/2004 Kelterborn ..... D6/710  
D672,568 S \* 12/2012 Keeley ..... E05F 5/02  
D6/349  
(73) Assignee: **PUM-TECH KOREA CO., LTD,** D776,245 S \* 1/2017 Yu ..... A47K 5/1205  
Incheon (KR) D23/259

(Continued)

(\*\*) Term: **15 Years**

**FOREIGN PATENT DOCUMENTS**

(21) Appl. No.: **29/807,232**

DE 102014222978 A1 \* 5/2016  
KR 20150023033 A \* 3/2015

(22) Filed: **Sep. 9, 2021**

*Primary Examiner* — Calvin E Vansant

(30) **Foreign Application Priority Data**

*Assistant Examiner* — Eidiol Ghigliotty Torres

Mar. 9, 2021 (KR) ..... 30-2021-0011415

(74) *Attorney, Agent, or Firm* — Heedong Chae; Lucem, PC

(51) **LOC (14) Cl.** ..... **15-02**

(52) **U.S. Cl.**  
USPC ..... **D15/7**

(57) **CLAIM**

(58) **Field of Classification Search**

The ornamental design for a spring for pump, as shown and described.

USPC ..... D8/400; D9/435, 447, 448, 683, 731;  
D15/7; D28/7

**DESCRIPTION**

CPC ..... F04B 45/02; F04B 43/08; F04B 43/084;  
F04B 23/00; F04B 33/00; B05B 11/3073;  
B05B 11/3076; B05B 11/3077; B05B  
1/00; B05B 1/02; B05B 1/30; B05B  
1/3006; B05B 12/002; F16F 1/025; F16F  
1/36; F16F 1/3605; F16F 1/373; F16F  
1/42; F16F 1/445; F16F 9/00; G01N  
35/1009; G01N 35/1016; B65D 83/0038;  
B05C 17/00569; A61C 1/0092

FIG. 1 is a perspective view of a spring for pump showing my new design;

FIG. 2 is a front elevational view thereof;

FIG. 3 is a rear elevational view thereof;

FIG. 4 is a left side view thereof;

FIG. 5 is a right side view thereof;

FIG. 6 is a top plan view thereof;

FIG. 7 is a bottom plan view thereof;

FIG. 8 is a cross-sectional view of the spring for pump taken along the line 8-8 in FIG. 6; and,

FIG. 9 is another cross-sectional view thereof in an environment of use.

The broken lines in the figures illustrate the portions of the design that form no part of the claimed design.

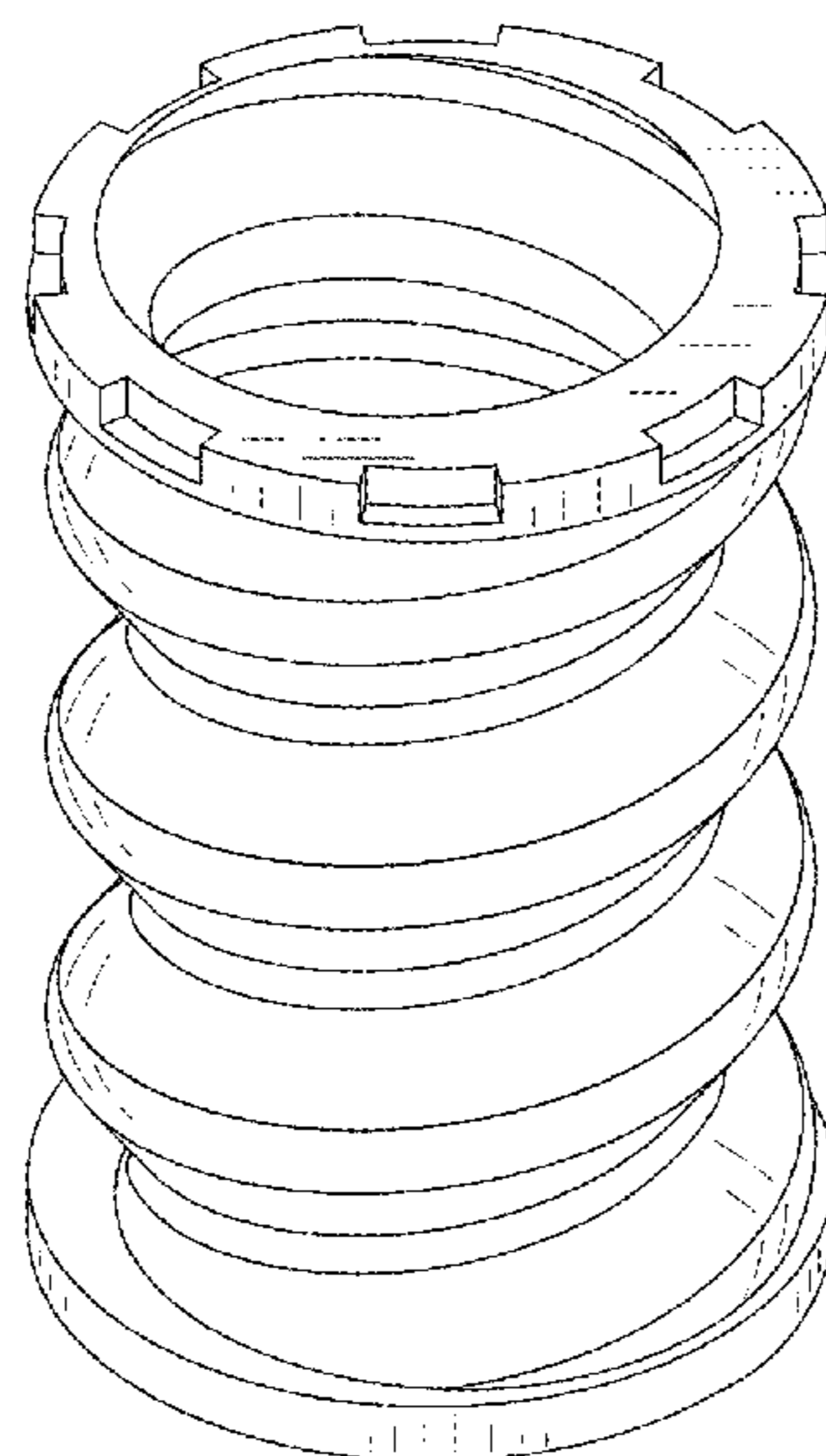
See application file for complete search history.

(56) **References Cited**

**U.S. PATENT DOCUMENTS**

3,951,310 A \* 4/1976 Steiman ..... B65D 83/75  
222/340  
4,047,851 A \* 9/1977 Bender ..... F04B 43/08  
222/336

**1 Claim, 6 Drawing Sheets**



(56)

**References Cited**

U.S. PATENT DOCUMENTS

D780,297 S \* 2/2017 Ray ..... F04B 9/042  
D23/262  
D800,538 S \* 10/2017 Lowitz ..... B05B 9/0838  
D8/382  
2017/0284141 A1\* 10/2017 Roychoudhury ..... E05F 5/02  
2020/0332853 A1\* 10/2020 Deman ..... A47K 5/1205

\* cited by examiner

FIG. 1

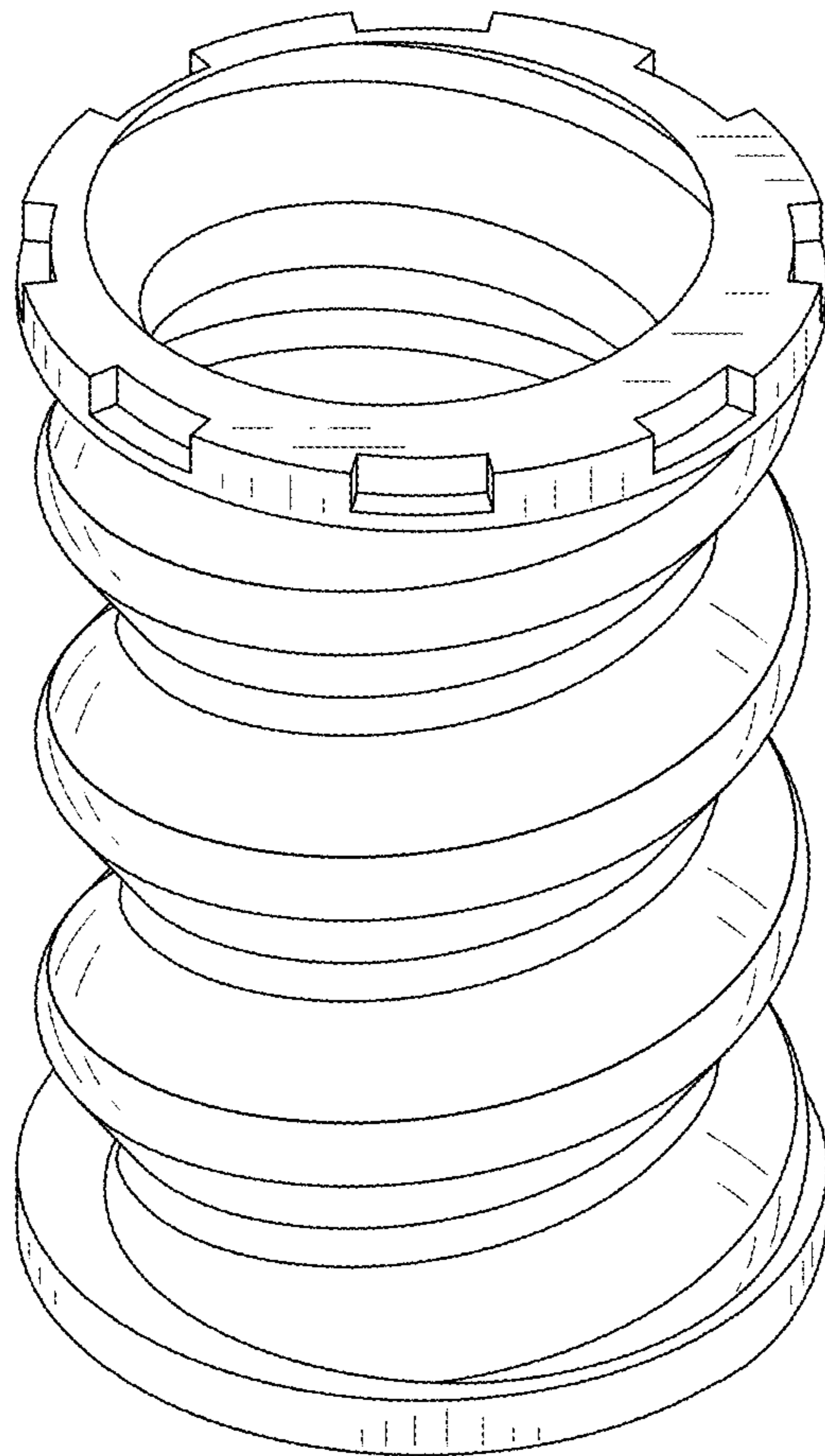


FIG. 2

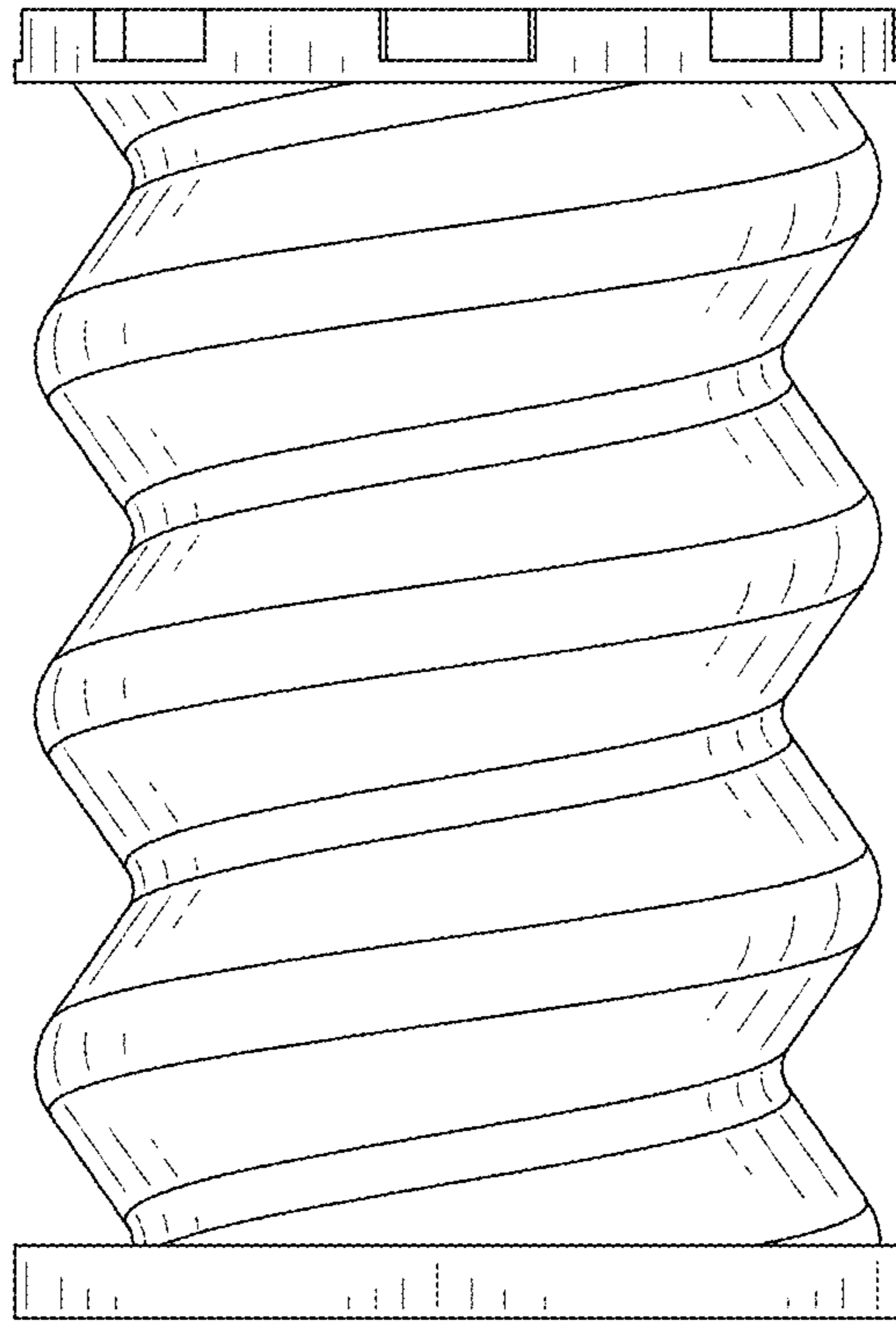


FIG. 3

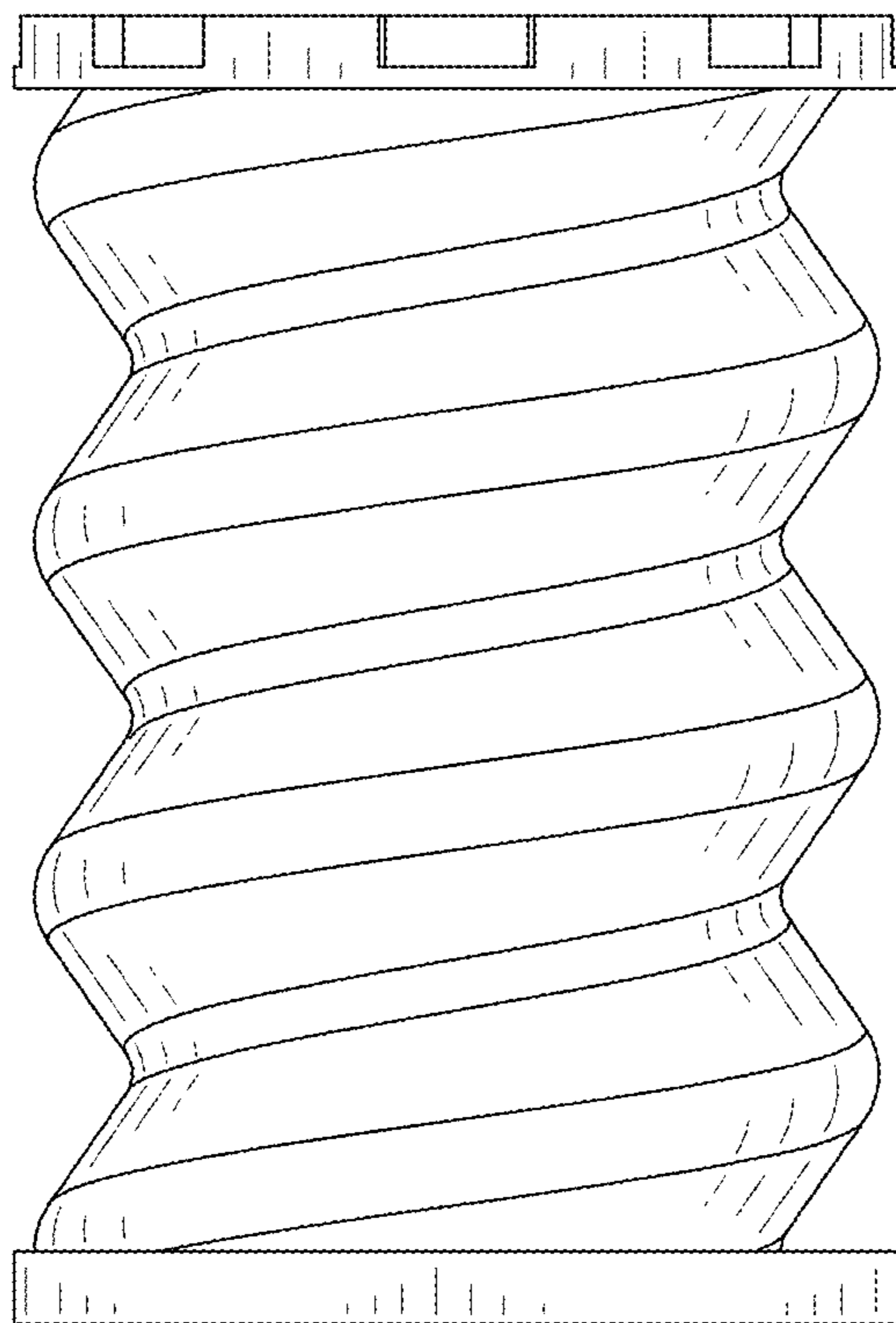


FIG. 4

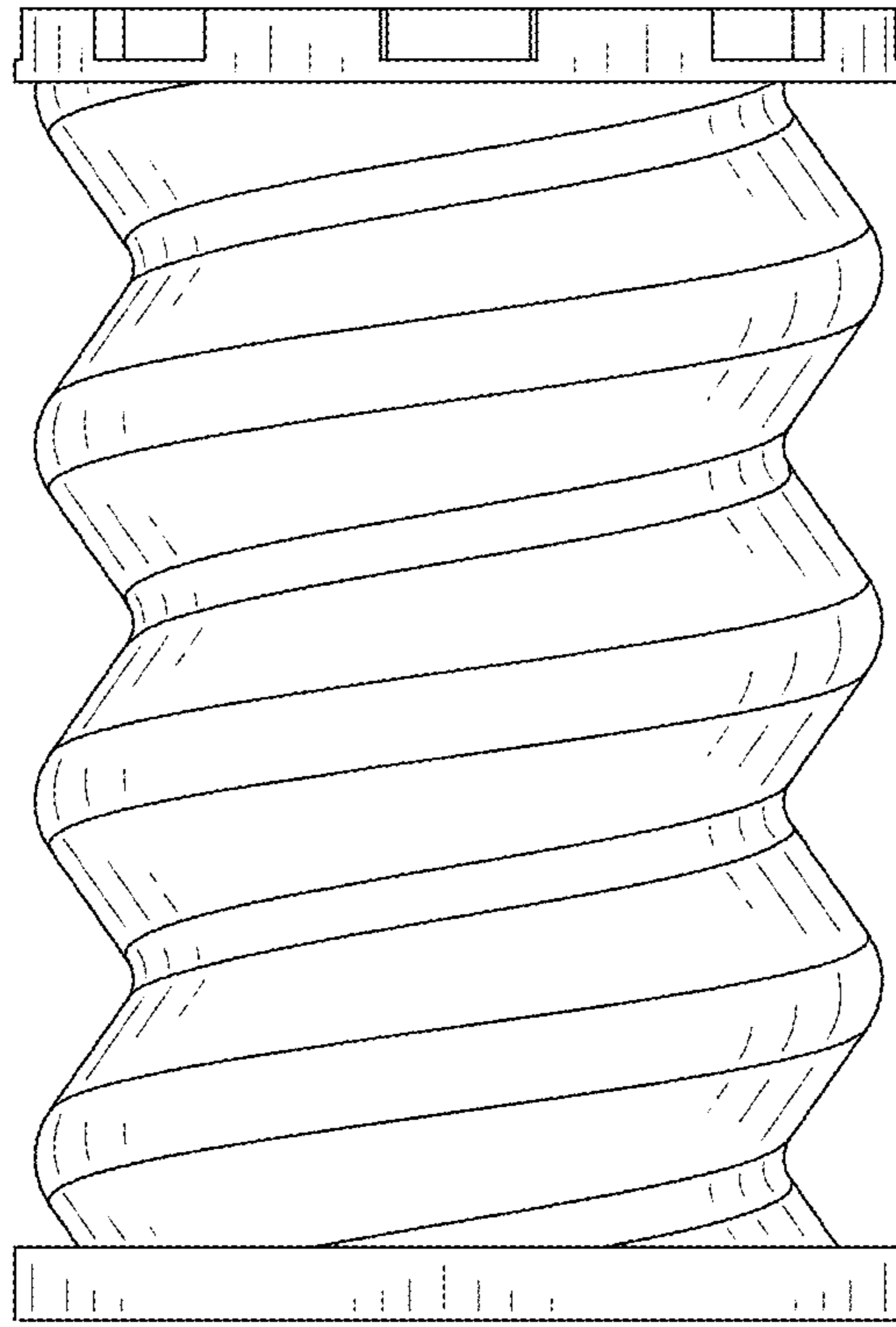


FIG. 5

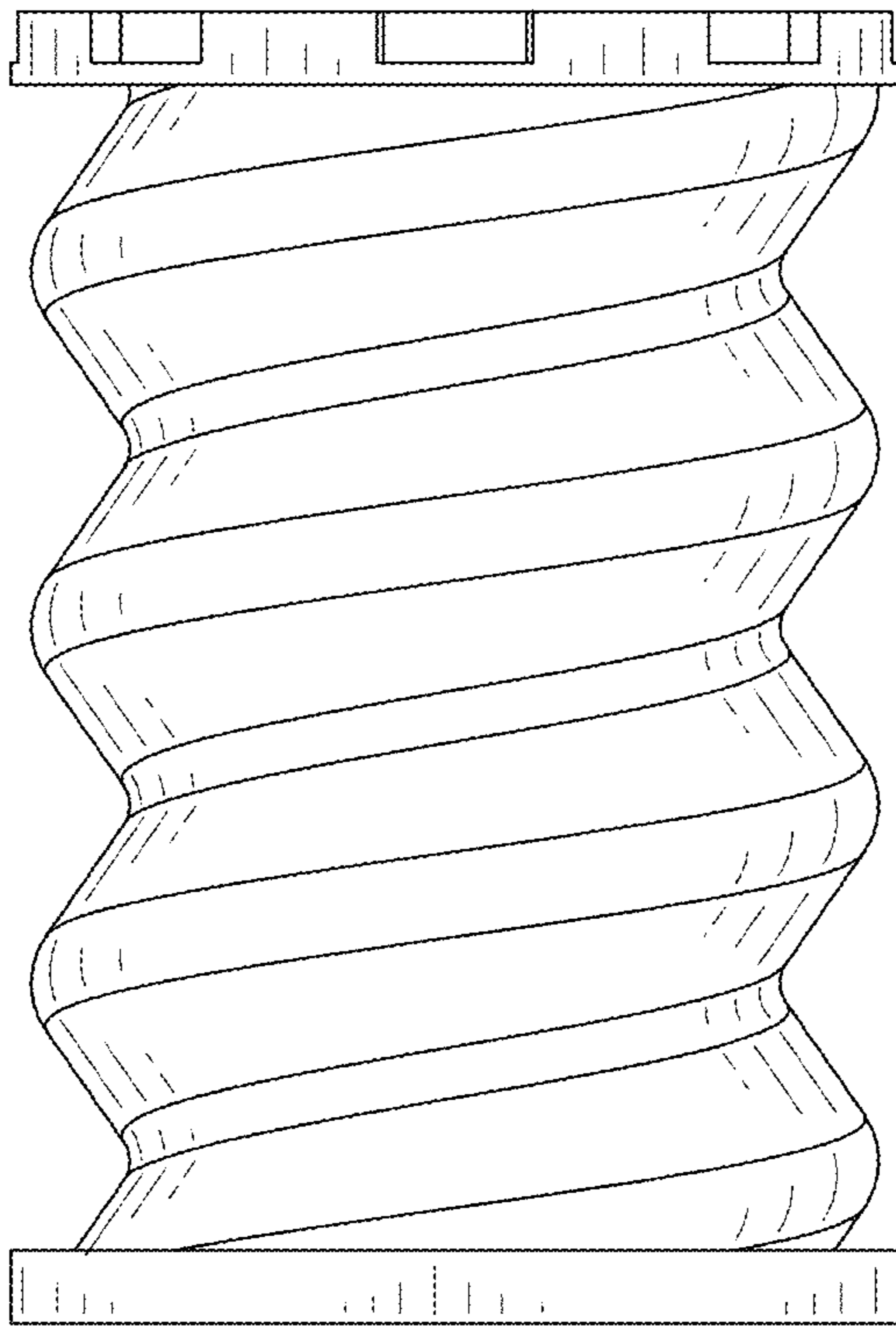


FIG. 6

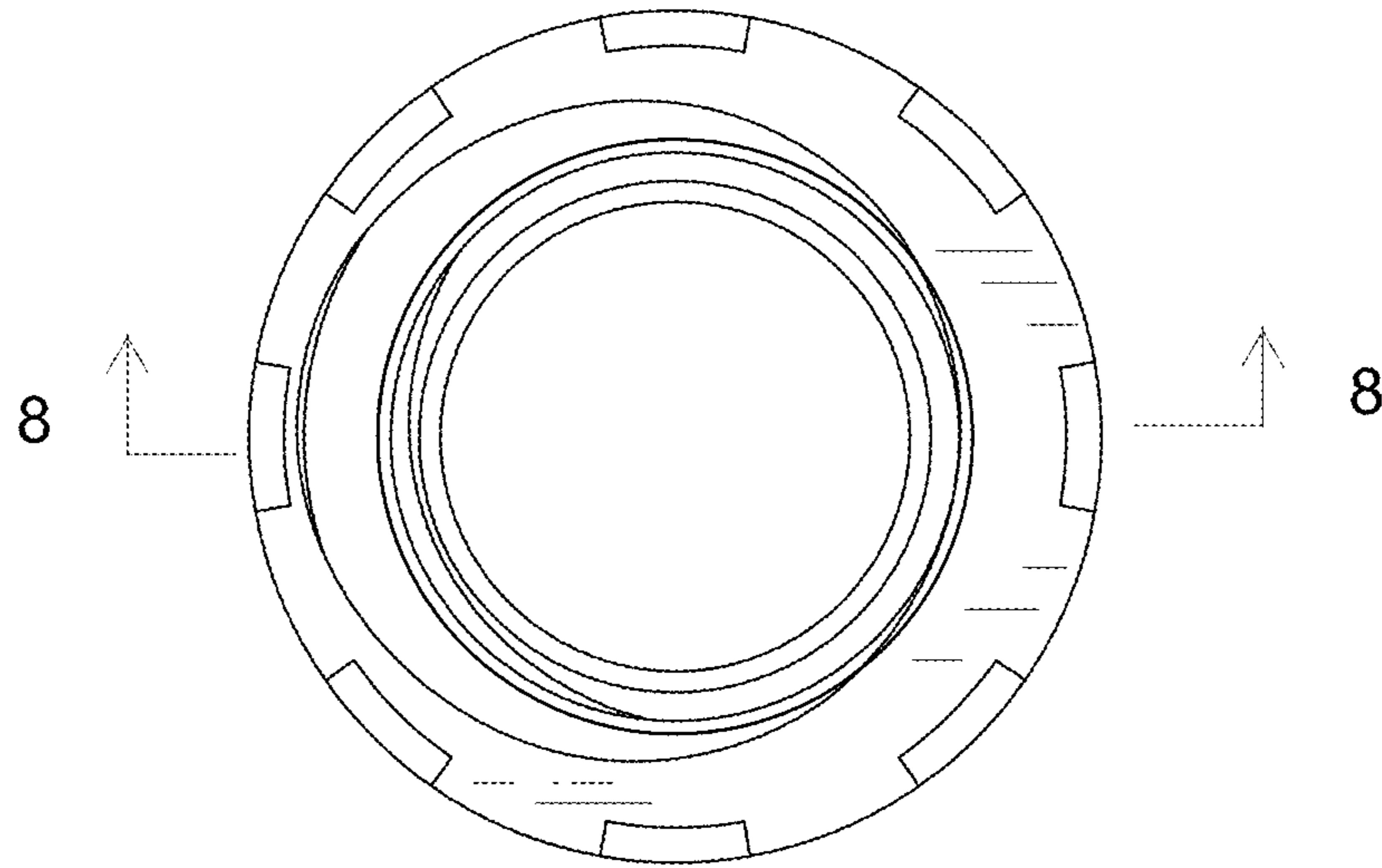


FIG. 7

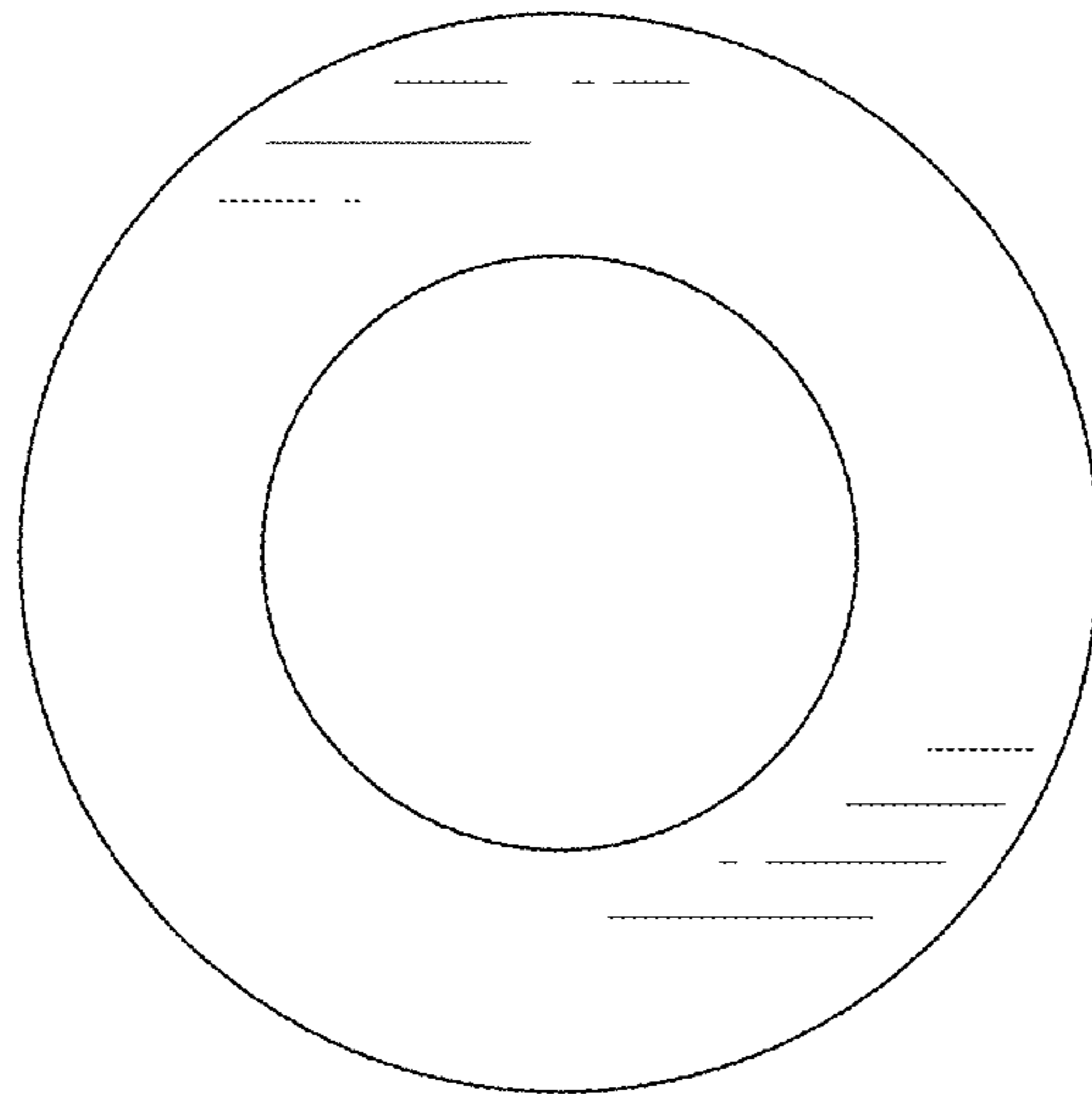


FIG. 8

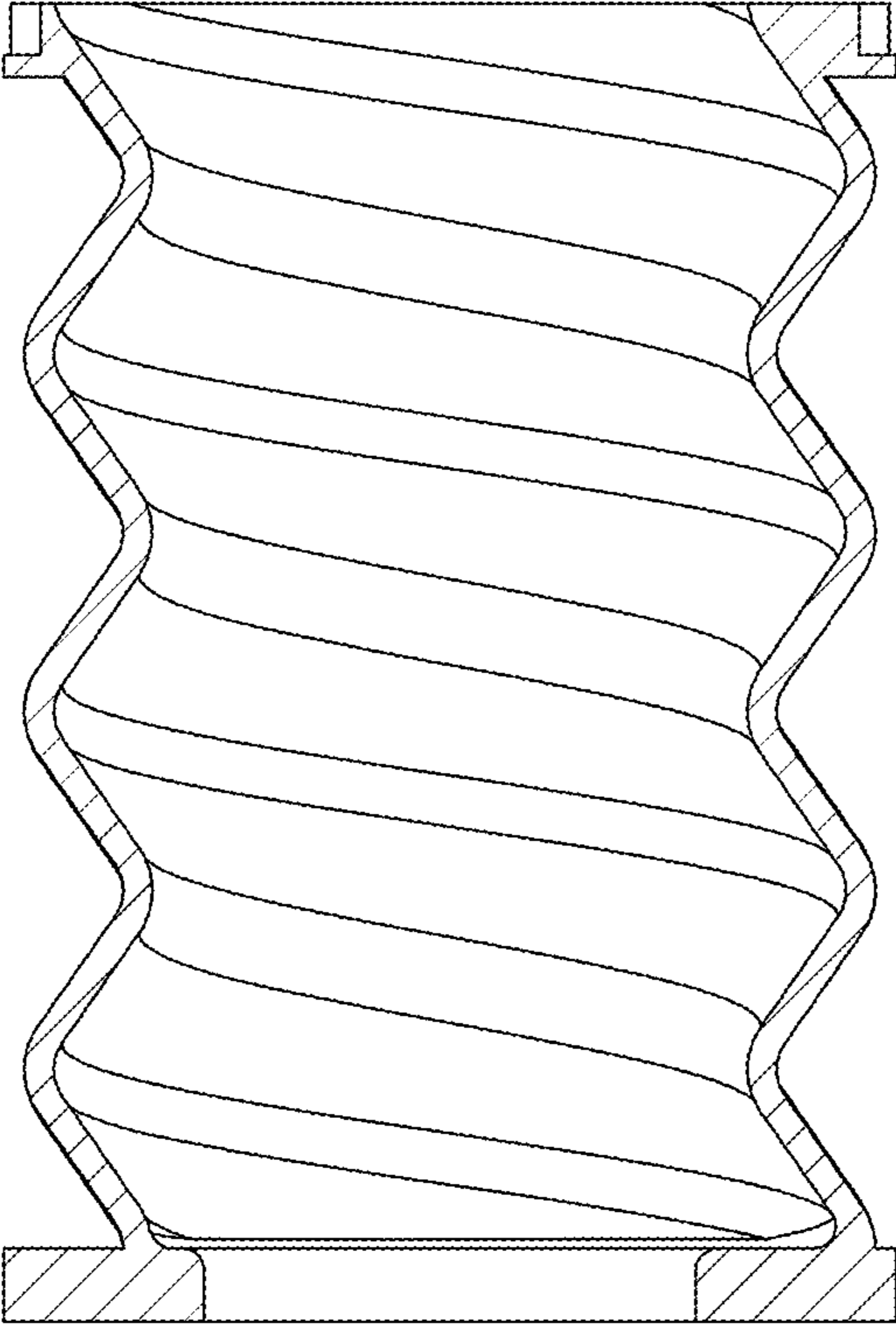


FIG. 9

