

US00D978195S

(12) **United States Design Patent**
Ota et al.

(10) **Patent No.:** **US D978,195 S**
(45) **Date of Patent:** **** Feb. 14, 2023**

(54) **DISPLAY SCREEN WITH GRAPHICAL USER INTERFACE**

(71) Applicant: **Mitsubishi Power, Ltd.**, Kanagawa (JP)

(72) Inventors: **Tadashi Ota**, Yokohama (JP);
Tomoyuki Yamazaki, Tokyo (JP);
Toshiyuki Wada, Tokyo (JP)

(73) Assignee: **MITSUBISHI HEAVY INDUSTRIES, LTD.**, Tokyo (JP)

(**) Term: **15 Years**

(21) Appl. No.: **29/772,103**

(22) Filed: **Feb. 26, 2021**

(30) **Foreign Application Priority Data**

Sep. 2, 2020 (JP) 2020-018672 D
Sep. 2, 2020 (JP) 2020-018673 D

(51) **LOC (14) Cl.** **14-04**

(52) **U.S. Cl.**
USPC **D14/492**

(58) **Field of Classification Search**
USPC D14/485–495
CPC G06F 3/048; G06F 3/0481; G06F 3/04817;
G06F 3/0482; G06F 3/0483; G06F
3/04842; G06F 3/0485; G06F 3/04855;
G06F 3/0486; G06F 3/0488; G06F
3/04886; G06F 9/451; G06F 40/103;
G06F 40/106; G06F 40/189; G06F
40/191

See application file for complete search history.

(56) **References Cited**

U.S. PATENT DOCUMENTS

D550,697 S * 9/2007 Gusmorino D14/492
D587,278 S * 2/2009 Sans D14/492
D629,009 S * 12/2010 O'Donnell D14/492
D763,921 S * 8/2016 Dharwada D14/492

D777,760 S * 1/2017 Zhao D14/490
D871,432 S * 12/2019 Robinson D14/486
D910,709 S * 2/2021 Cullum D14/492
D922,430 S * 6/2021 Kataoka D14/491
D922,431 S * 6/2021 Kataoka D14/491

(Continued)

Primary Examiner — Nicole C Shiflet

(74) *Attorney, Agent, or Firm* — Wenderoth, Lind & Ponack, L.L.P.

(57) **CLAIM**

The ornamental design for a display screen with graphical user interface, as shown and described.

DESCRIPTION

FIG. 1 is a front view of the first image in a sequence of a display screen with graphical user interface showing our new design according to a first embodiment;

FIG. 2 is a front view of the second image thereof;

FIG. 3 is a front view of the third image thereof;

FIG. 4 is a front view of the fourth image thereof;

FIG. 5 is a front view of the fifth image thereof;

FIG. 6 is a front view of the sixth image thereof;

FIG. 7 is a front view of the first image in a sequence of a display screen with graphical user interface according to a second embodiment;

FIG. 8 is a front view of the second image thereof;

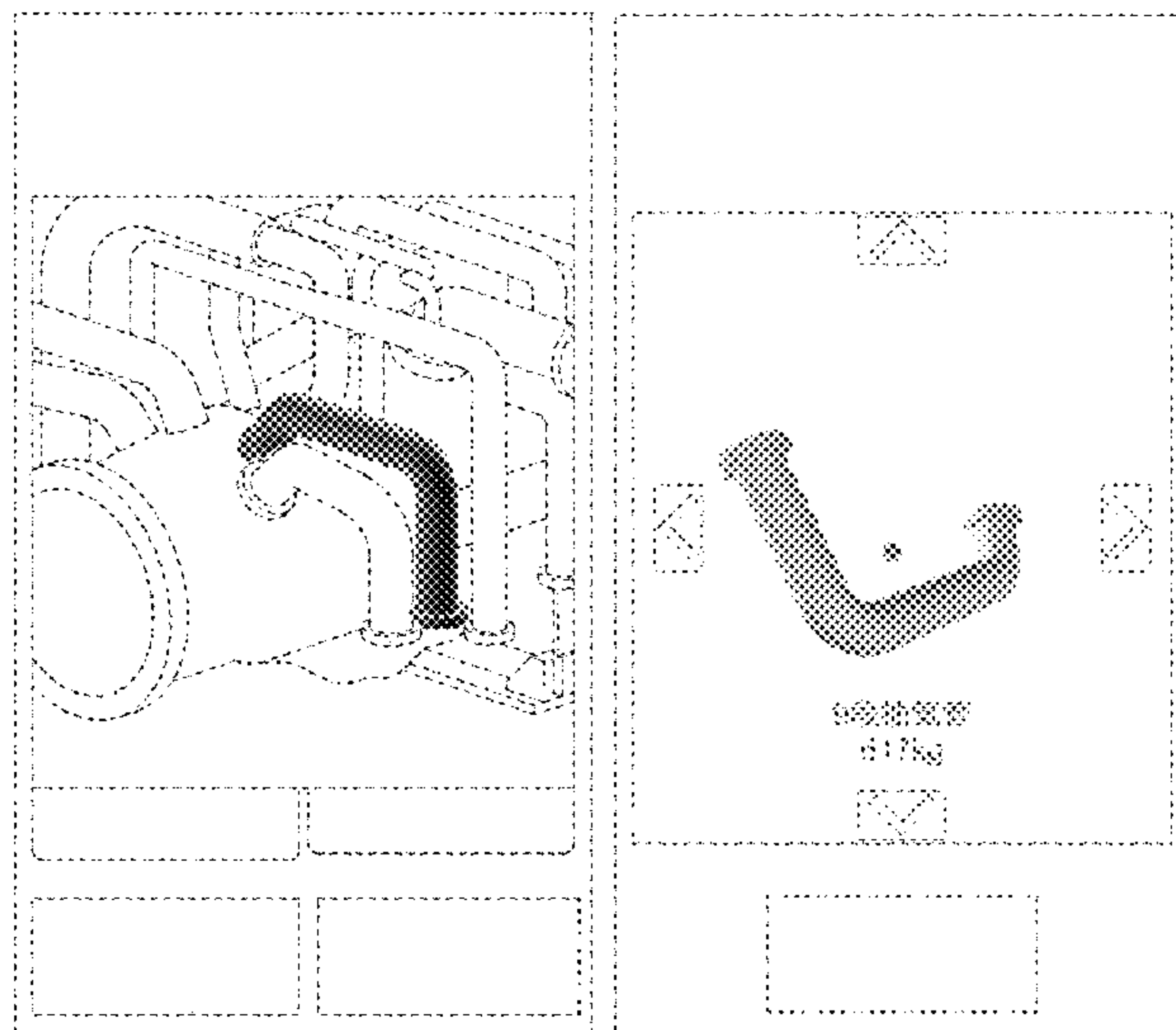
FIG. 9 is a front view of the third image thereof;

FIG. 10 is a front view of the fourth image thereof; and,

FIG. 11 is a front view of the fifth image thereof.

All text, characters, and numbers in the drawings illustrate portions of the graphical user interface that form no part of the claimed design. The evenly-spaced broken lines are included for the purpose of illustrating elements of the graphical user interface and the display screen that form no part of the claimed design. The subject matter of this patent includes a process or period in which an image sequentially transitions into another image. This process or period forms no part of the claimed design.

1 Claim, 11 Drawing Sheets



(56)

References Cited

U.S. PATENT DOCUMENTS

D938,489 S * 12/2021 Kataoka D14/491
D943,628 S * 2/2022 Kataoka D14/491

* cited by examiner

Fig.1

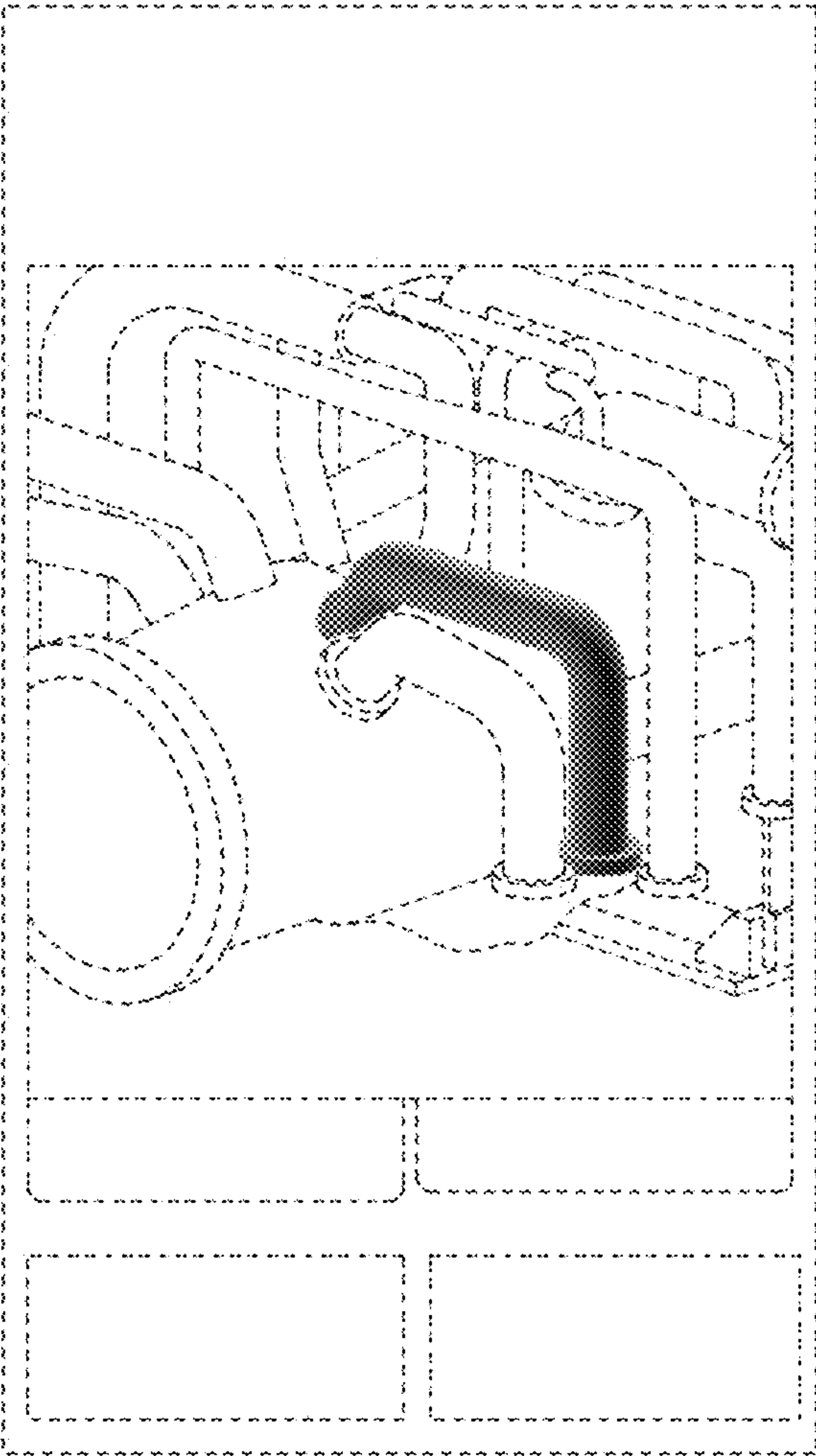


Fig.2

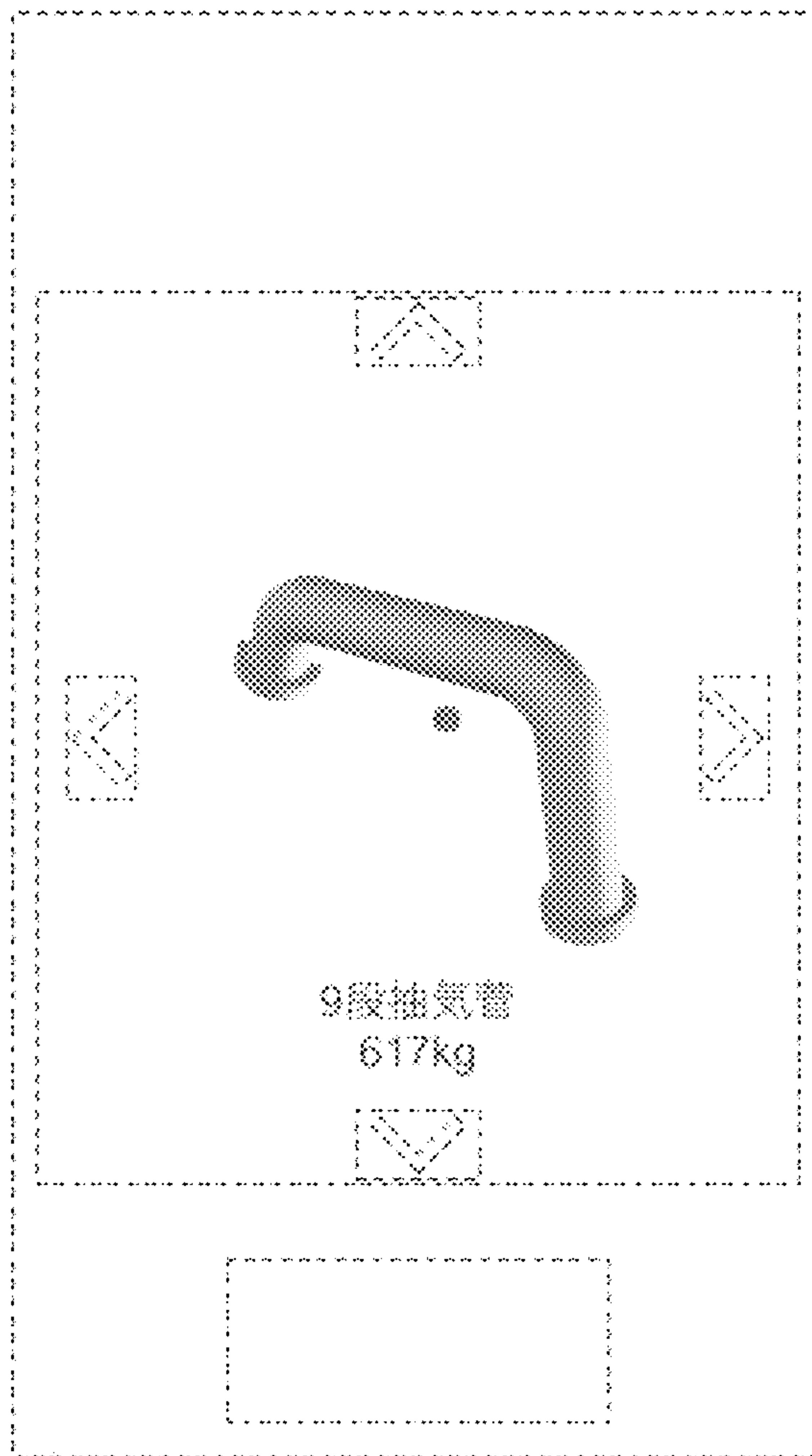


Fig.3

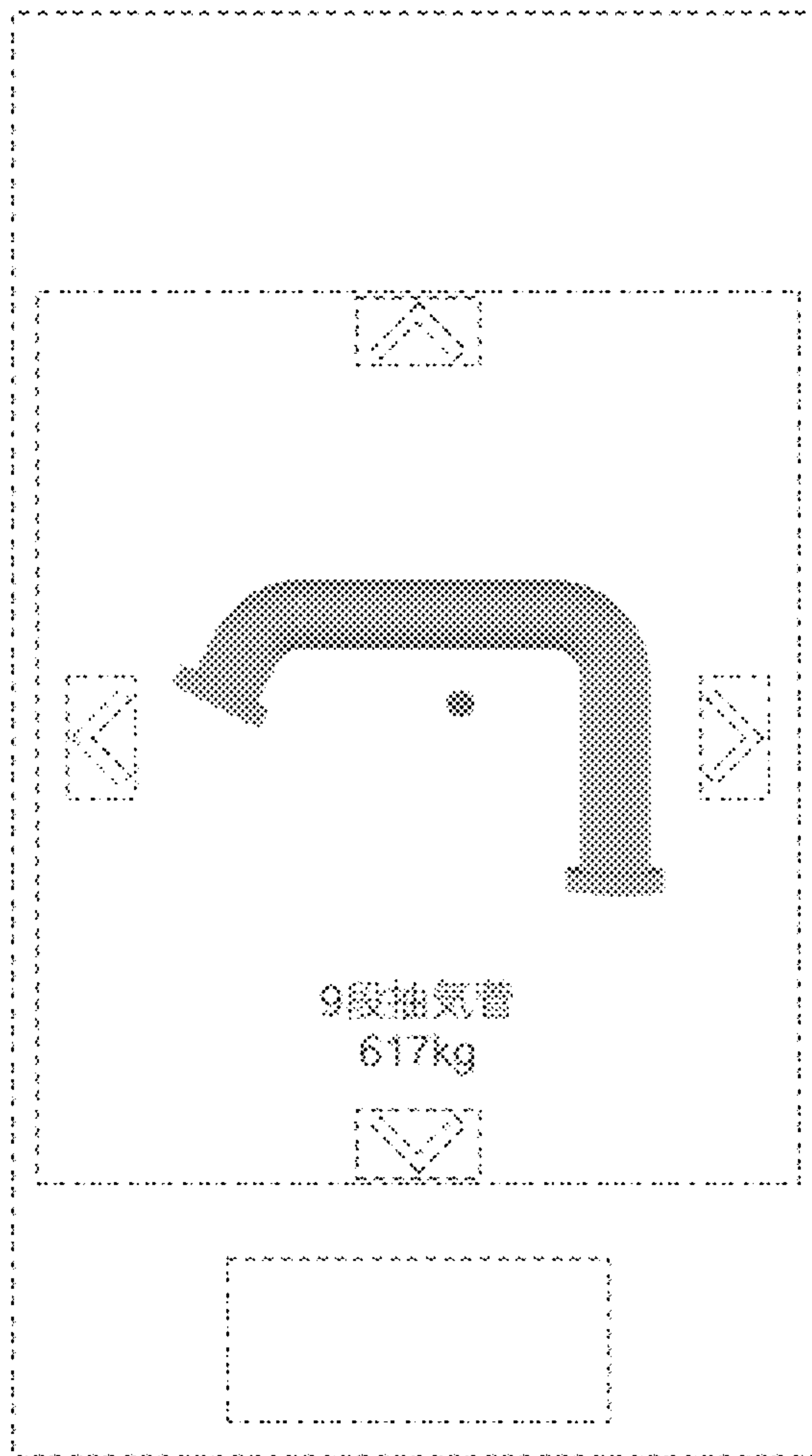


Fig.4

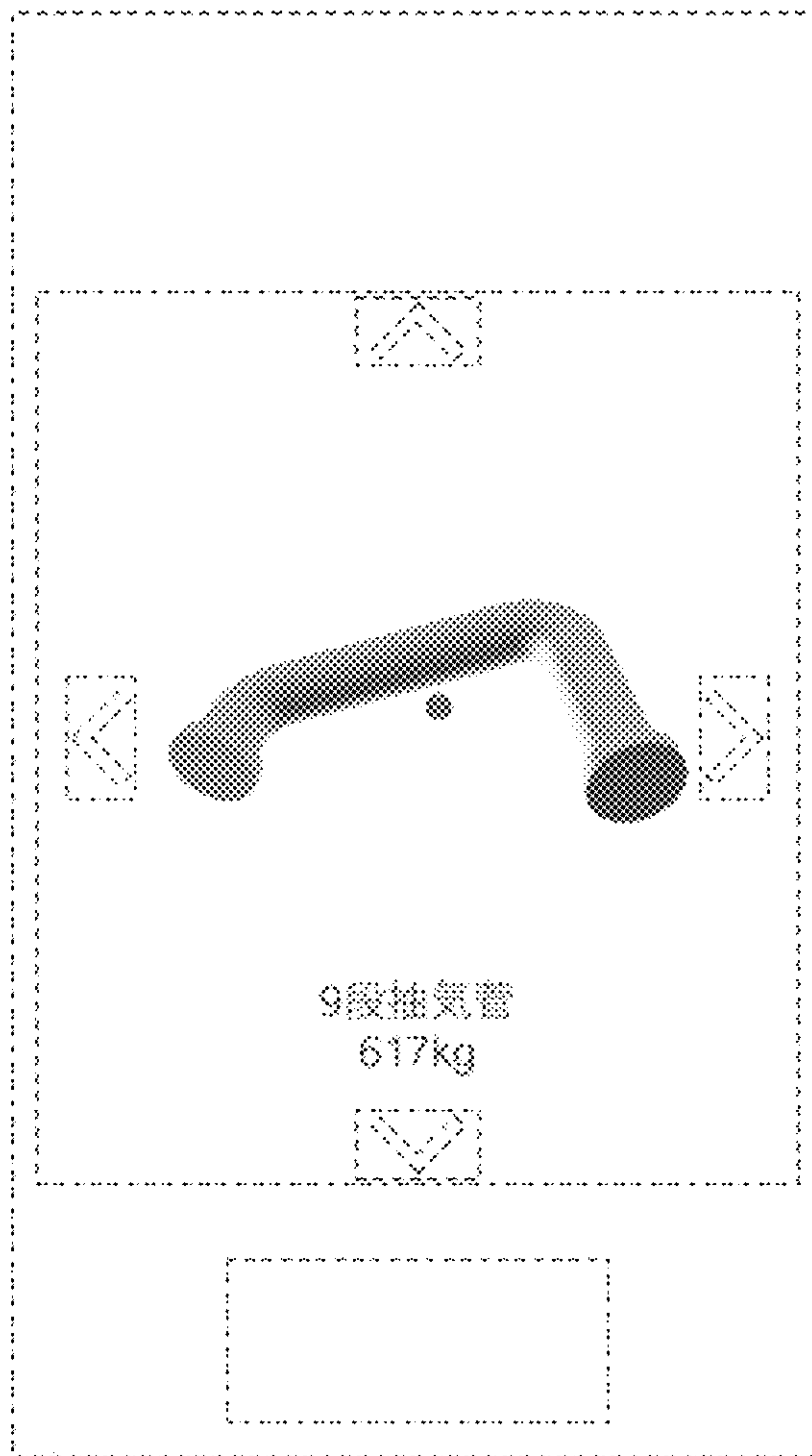


Fig.5

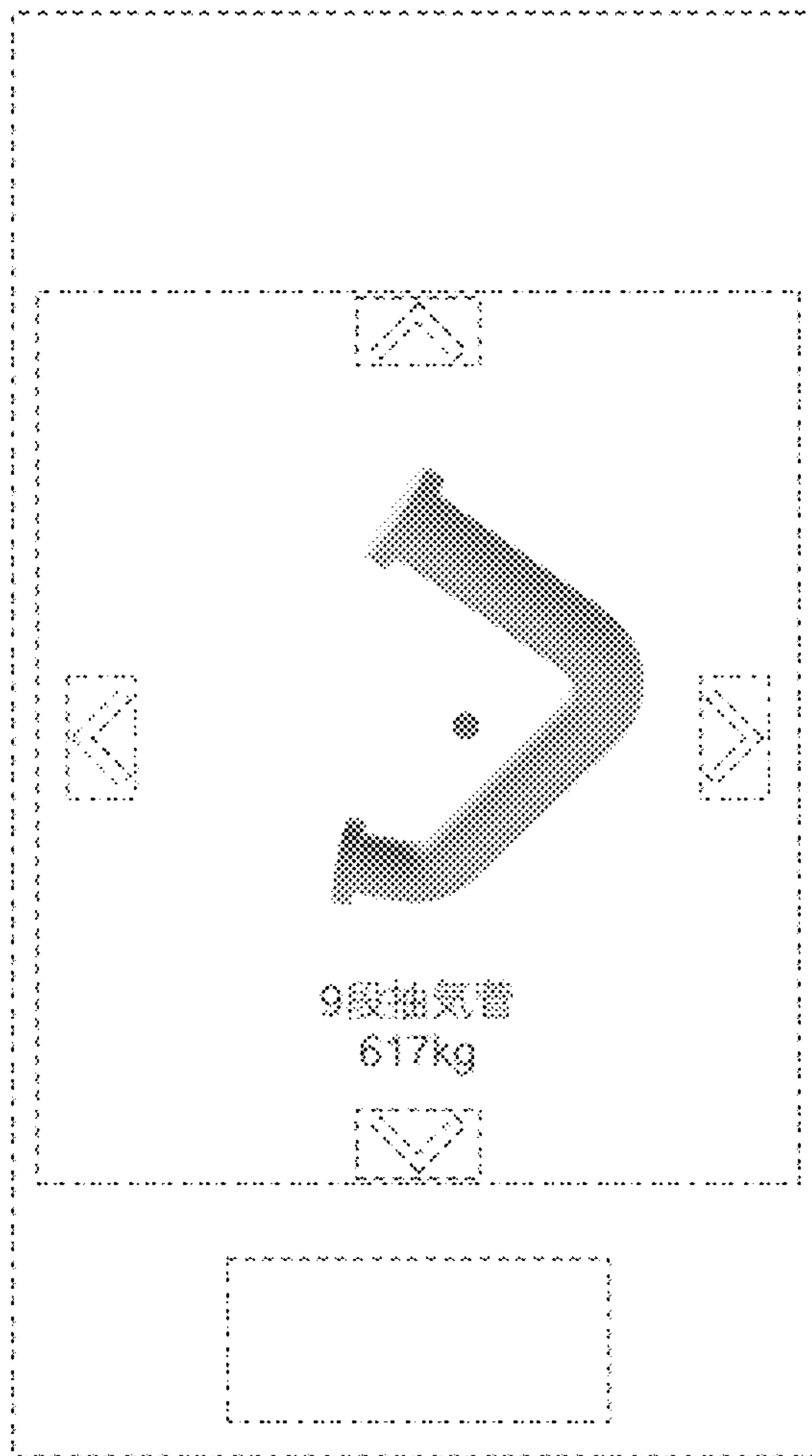


Fig.6

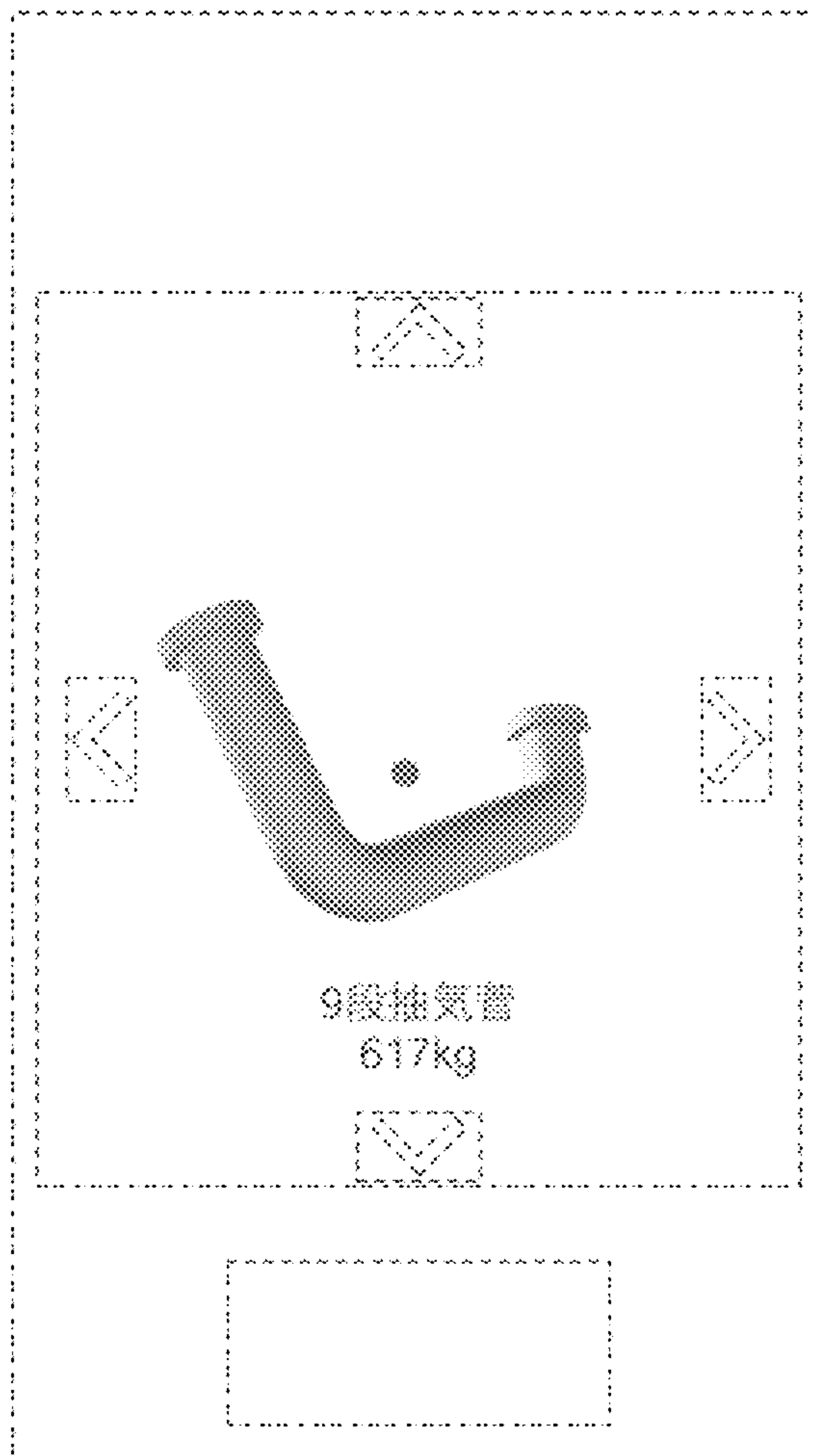


Fig.7

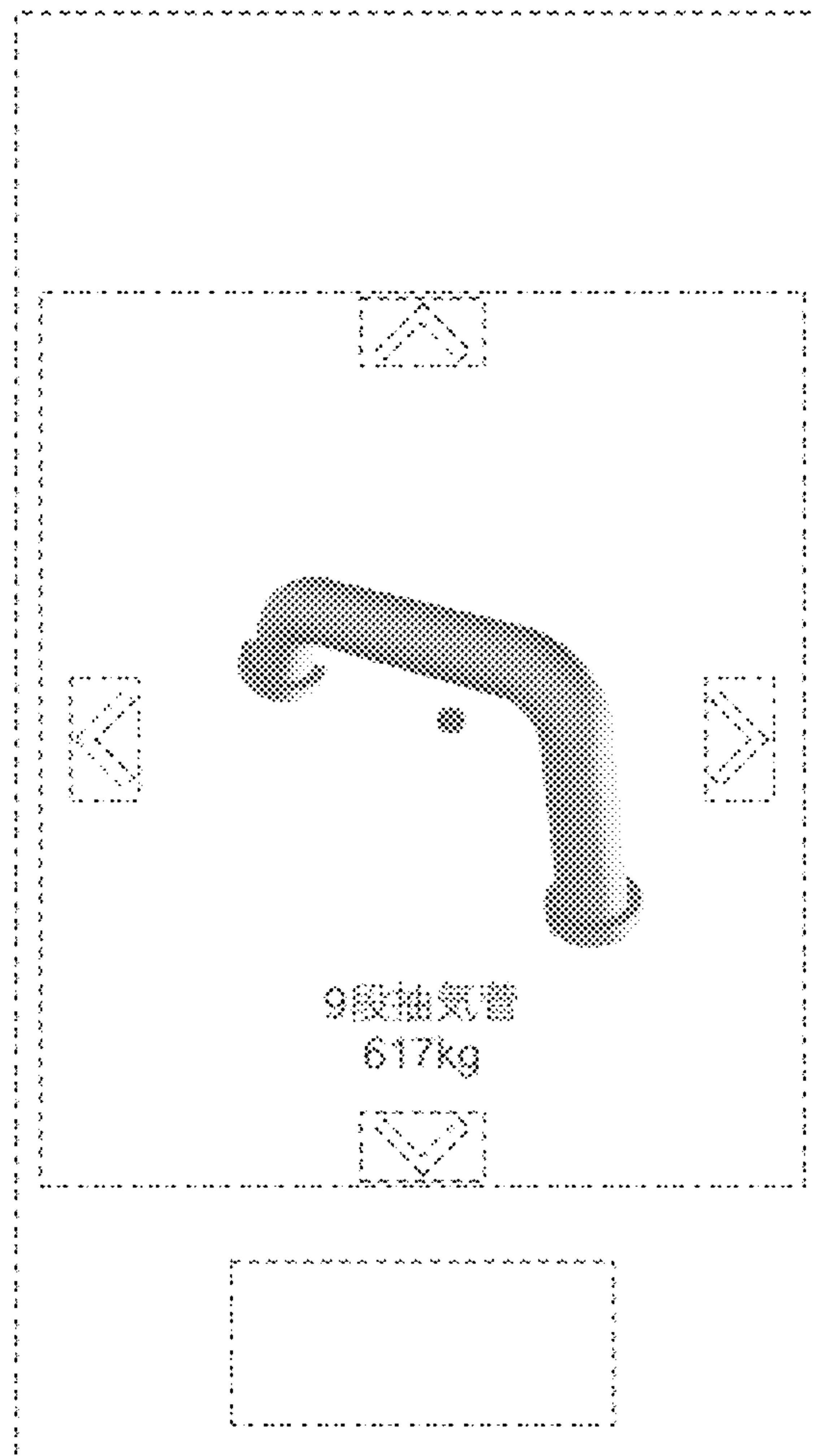


Fig.8

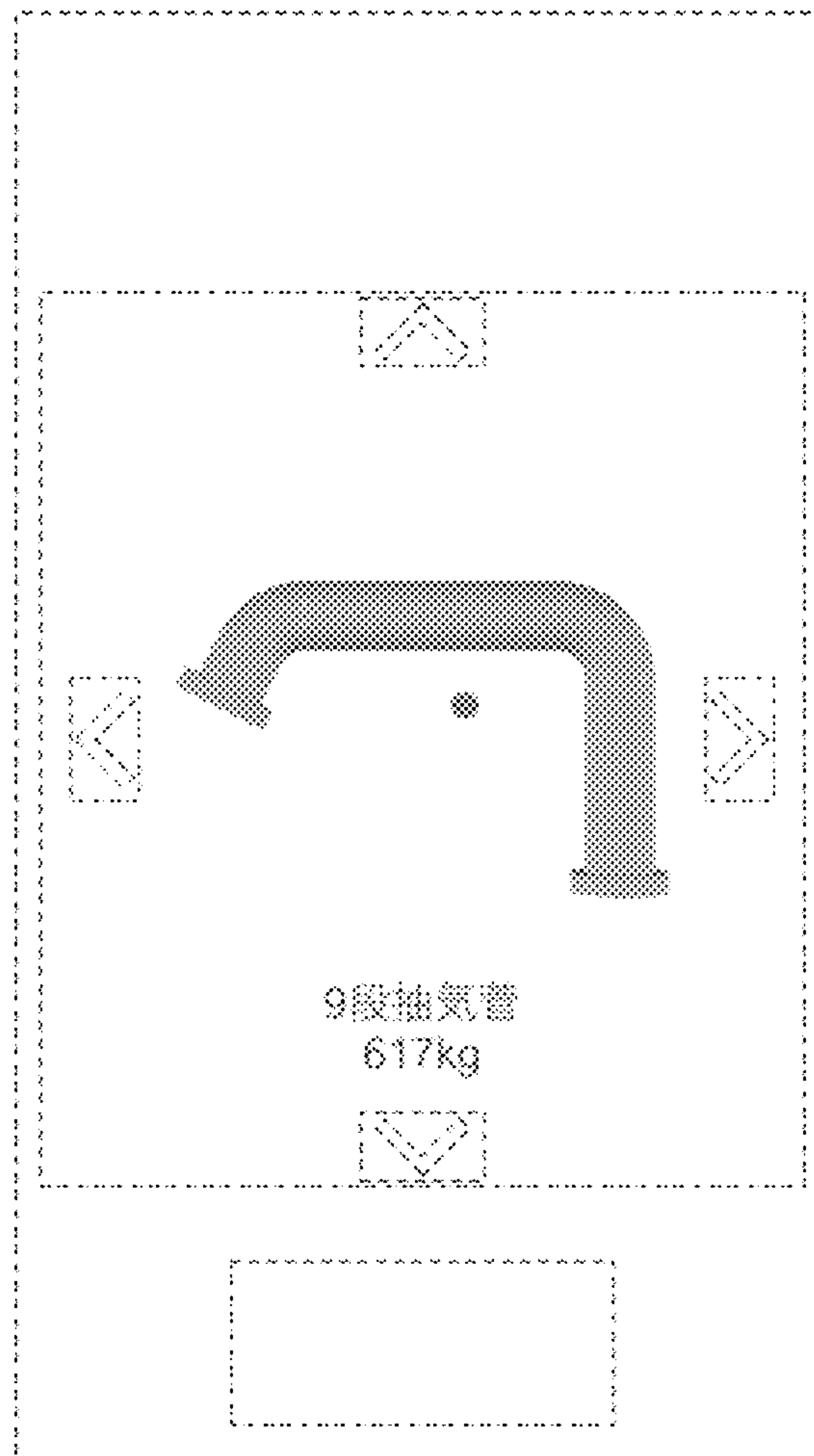


Fig.9

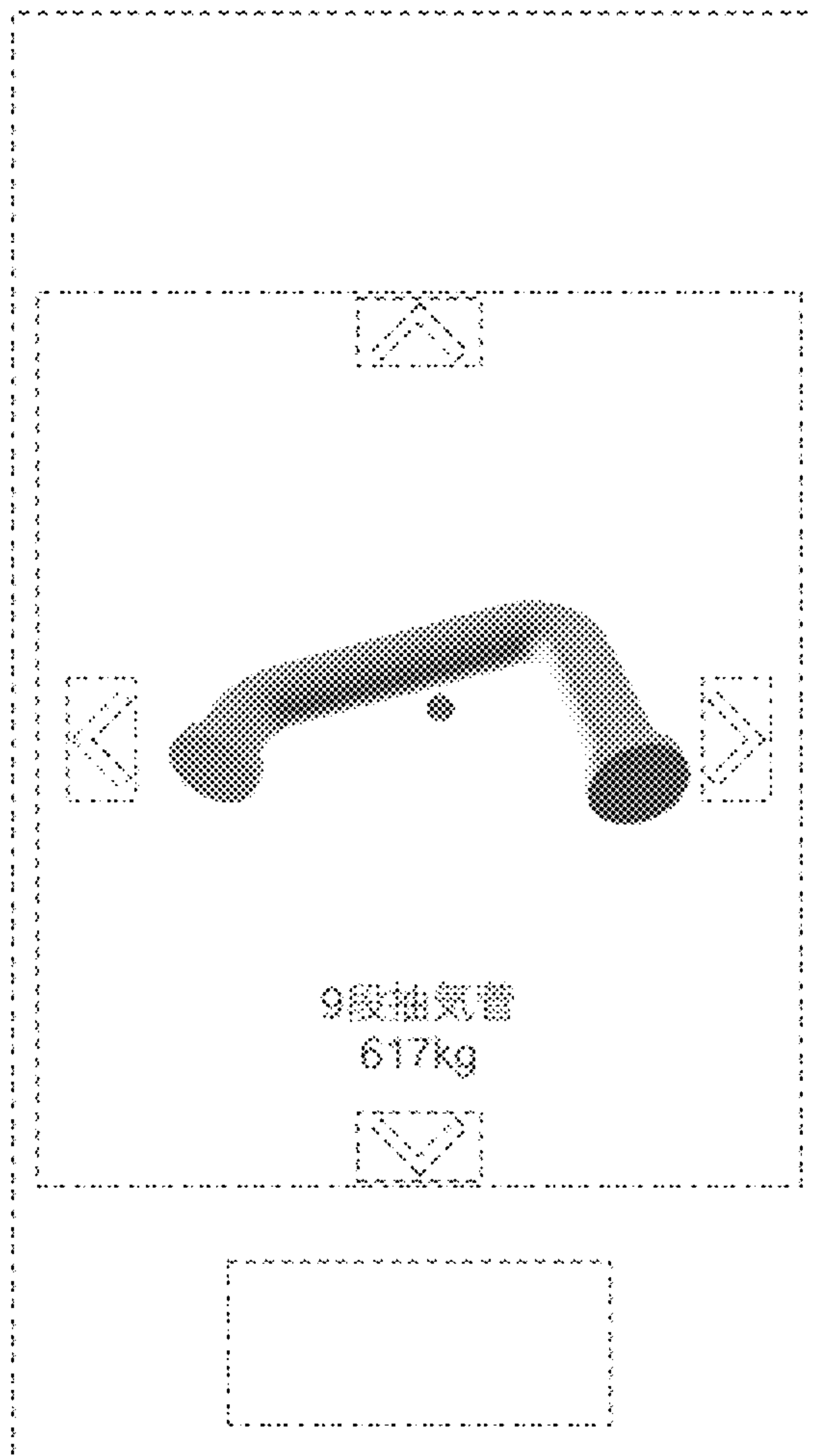


Fig.10

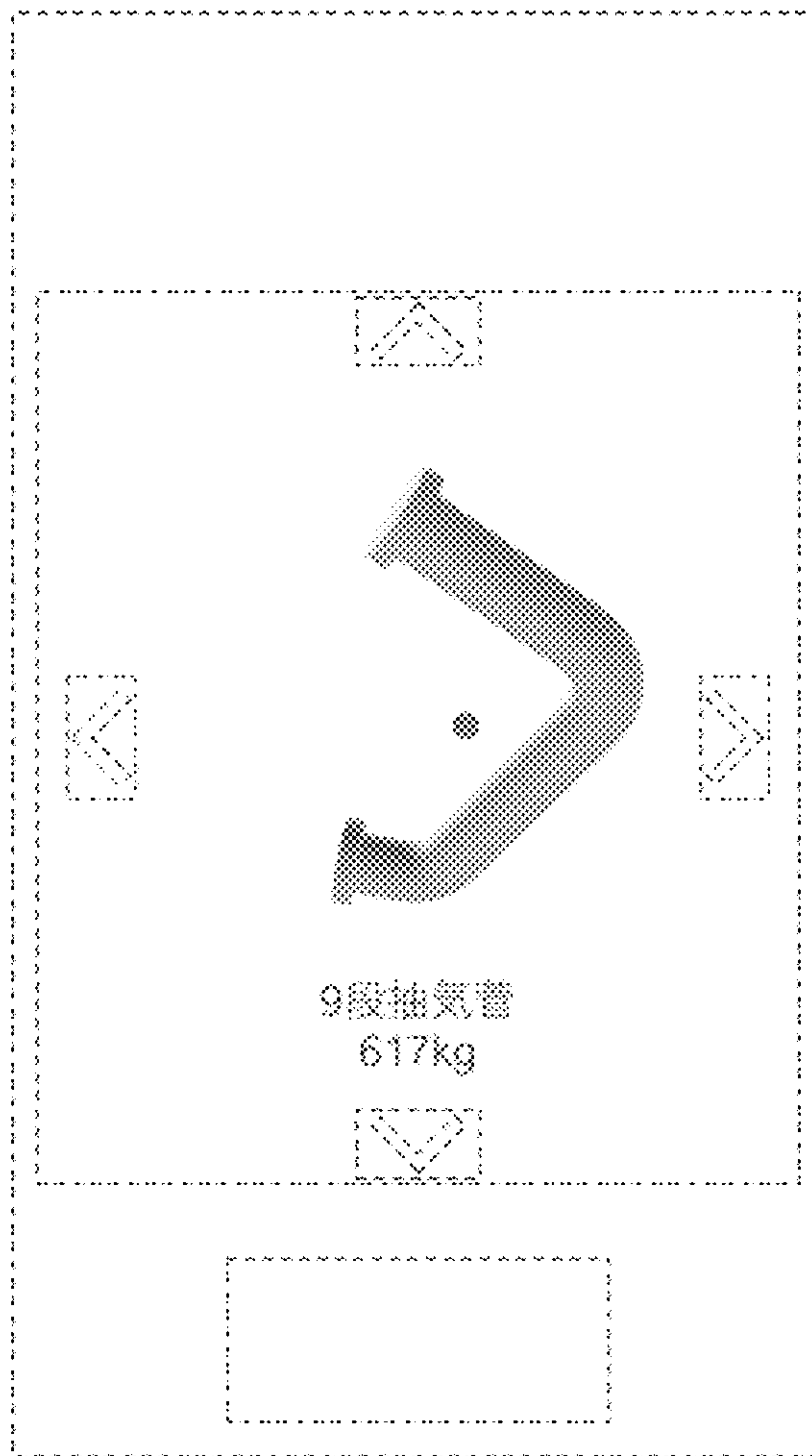


Fig.11

