



US00D978155S

(12) **United States Design Patent** (10) **Patent No.:** **US D978,155 S**
Liao (45) **Date of Patent:** **** Feb. 14, 2023**

- (54) **TABLET HOLDER**
- (71) Applicant: **Qianhai Junda (Shenzhen) Equity Investment Co., Ltd., Shenzhen (CN)**
- (72) Inventor: **Zhuowen Liao, Shenzhen (CN)**
- (73) Assignee: **Qianhai Junda (Shenzhen) Equity Investment Co., Ltd, Shenzhen (CN)**
- (**) Term: **15 Years**
- (21) Appl. No.: **29/768,952**
- (22) Filed: **Feb. 2, 2021**
- (30) **Foreign Application Priority Data**
Dec. 23, 2020 (CN) 202030796306.9
- (51) **LOC (14) Cl.** **14-02**
- (52) **U.S. Cl.**
USPC **D14/447**
- (58) **Field of Classification Search**
USPC D14/217, 249, 250, 252, 253, 336, 341, D14/385, 387, 440, 447, 452; D18/4.4, D18/4.5, 12; D13/108
CPC A47B 2023/049; A47B 2097/006; A47B 23/04; A47B 23/043; A47B 23/044
See application file for complete search history.

D946,001 S *	3/2022	Liao	D14/447
D947,771 S *	4/2022	Liao	D13/108
D947,856 S *	4/2022	Zhu	D14/447
D948,521 S *	4/2022	Ryu	D14/451
D952,644 S *	5/2022	Lee	D14/447
2022/0247849 A1*	8/2022	Liao	F16M 11/10

OTHER PUBLICATIONS

Amazon.com_ CharJenPro Patented MagFlott Premium Magnetic Stand, first available Mar. 24, 2022 [online], retrieved Oct. 21, 2022, available at URL: <https://a.co/d/dBD6M0I> (Year: 2022).*

(Continued)

Primary Examiner — Wendy L Arminio
Assistant Examiner — Carrie S Gelula
(74) *Attorney, Agent, or Firm* — Wolf, Greenfield & Sacks, P.C.

(57) **CLAIM**

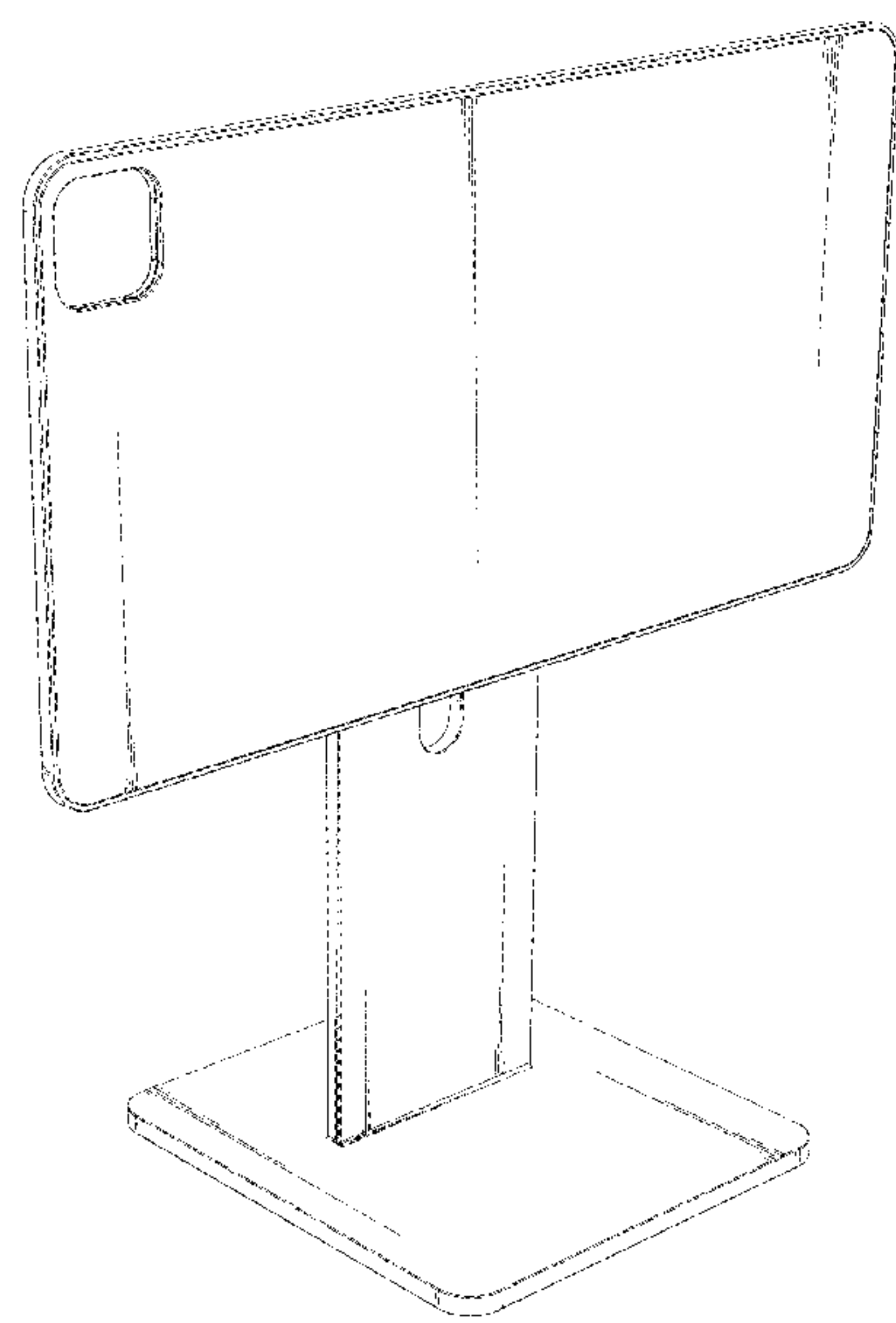
The ornamental design for a tablet holder, as shown and described.

DESCRIPTION

FIG. 1 is a front perspective view of a tablet holder showing my new design;
FIG. 2 is a front elevational view thereof;
FIG. 3 is a rear elevational view thereof;
FIG. 4 is a left elevational side view thereof;
FIG. 5 is a right elevational side view thereof;
FIG. 6 is a top plan view thereof;
FIG. 7 is a bottom plan view thereof;
FIG. 8 is a first perspective view of the tablet holder showing a use state; and,
FIG. 9 is a second perspective view of the tablet holder showing another use state.
The broken lines in the drawings depict portions of the tablet holder that form no part of the claimed design.

1 Claim, 9 Drawing Sheets

- (56) **References Cited**
U.S. PATENT DOCUMENTS
D810,816 S * 2/2018 Chen D14/336
D844,690 S * 4/2019 Laurans D16/244
D898,017 S * 10/2020 Zhang D14/447
D902,217 S * 11/2020 Zhang D14/447
D904,387 S * 12/2020 Zhang D14/447
D920,981 S * 6/2021 Zhang D14/434
D931,848 S * 9/2021 Liu D14/253
D940,700 S * 1/2022 Yongren D14/447
D944,240 S * 2/2022 Ye D14/253



(56)

References Cited

OTHER PUBLICATIONS

Kickstarter.com_MagFlött_ iPad Magnetic Stand by CharJenPro, first available Jul. 27, 2021 [online], retrieved Oct. 21, 2022, available at URL: <https://www.kickstarter.com/projects/charjenpro/magflott> (Year: 2021).*

* cited by examiner

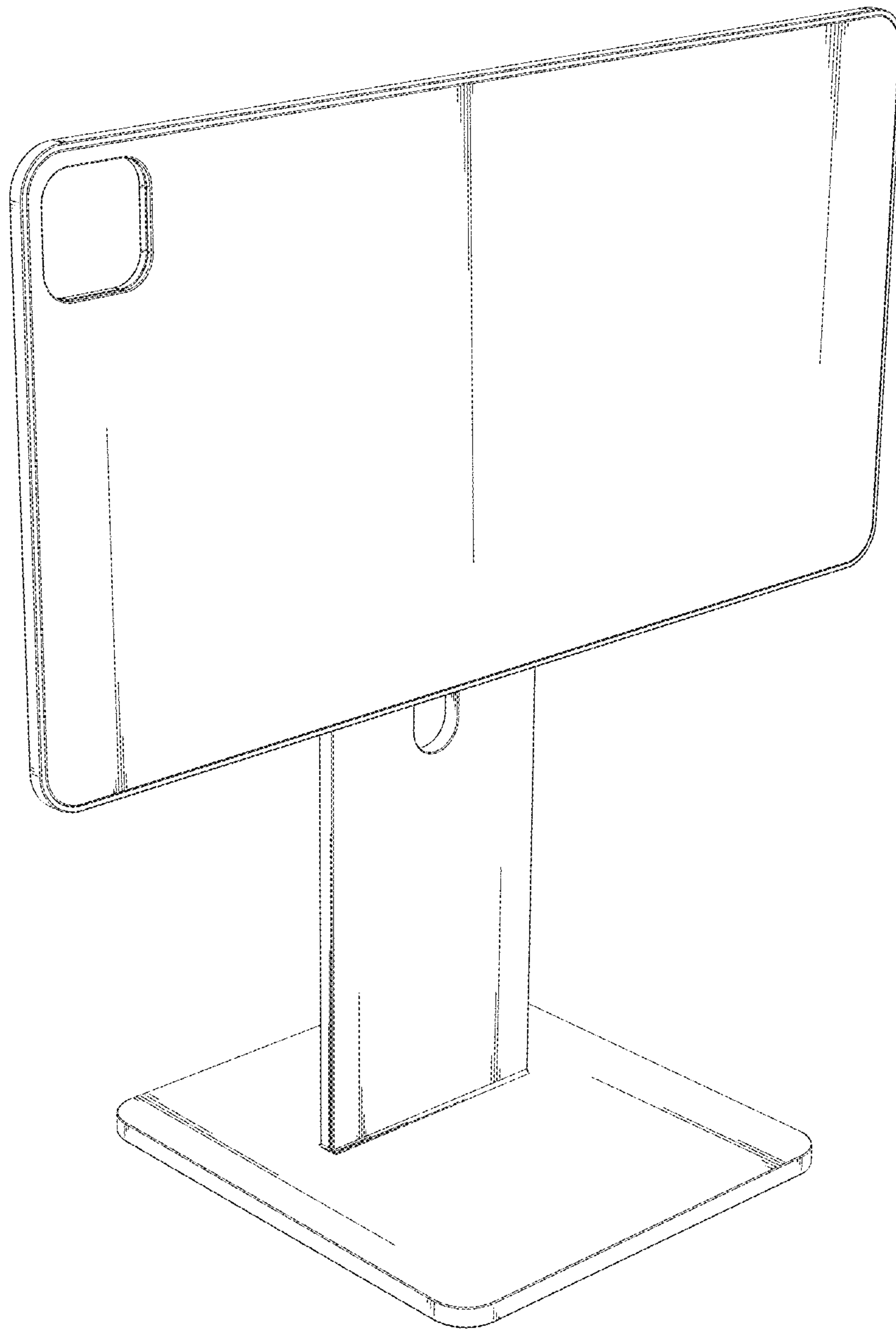


FIG. 1

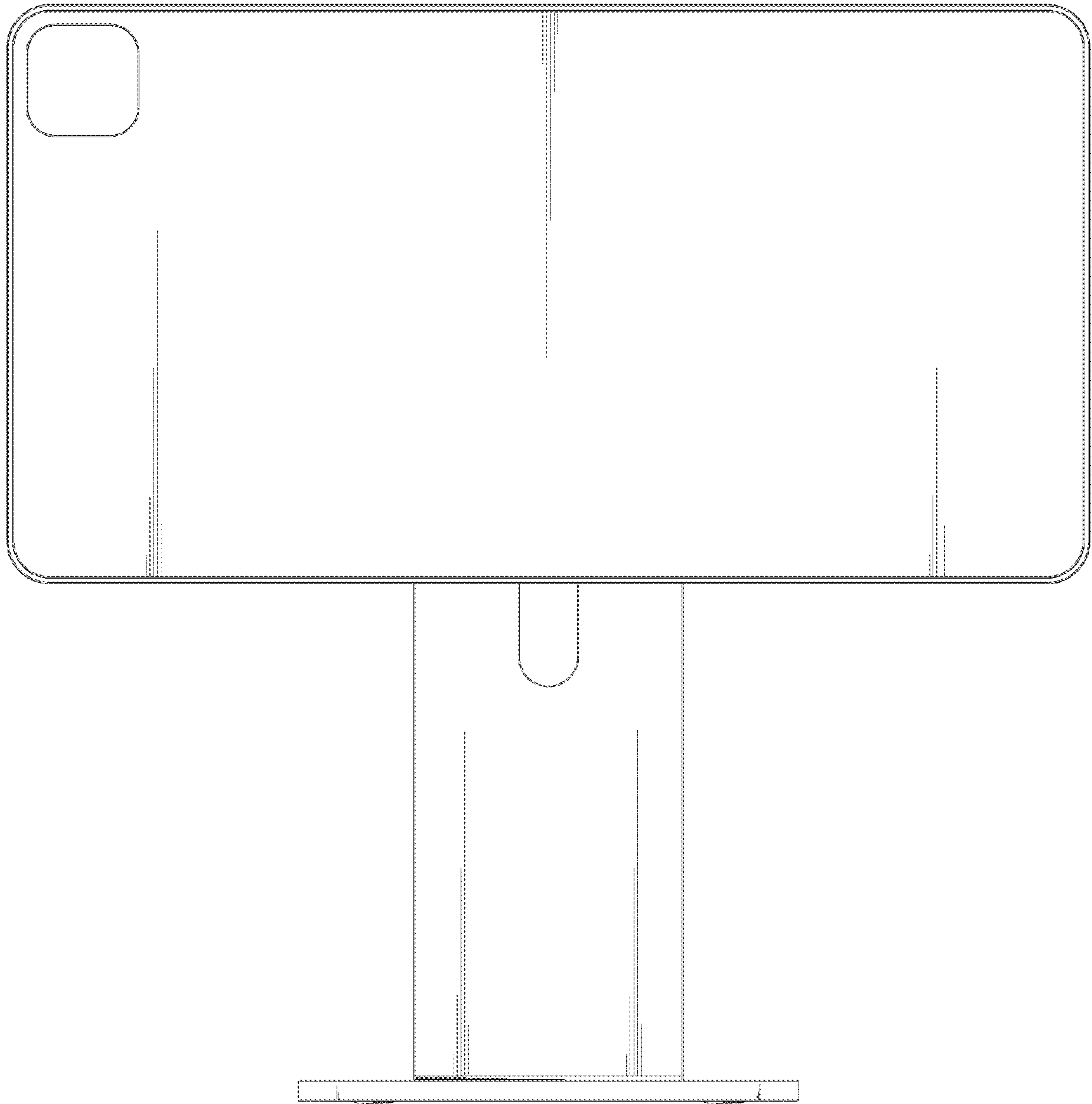


FIG. 2

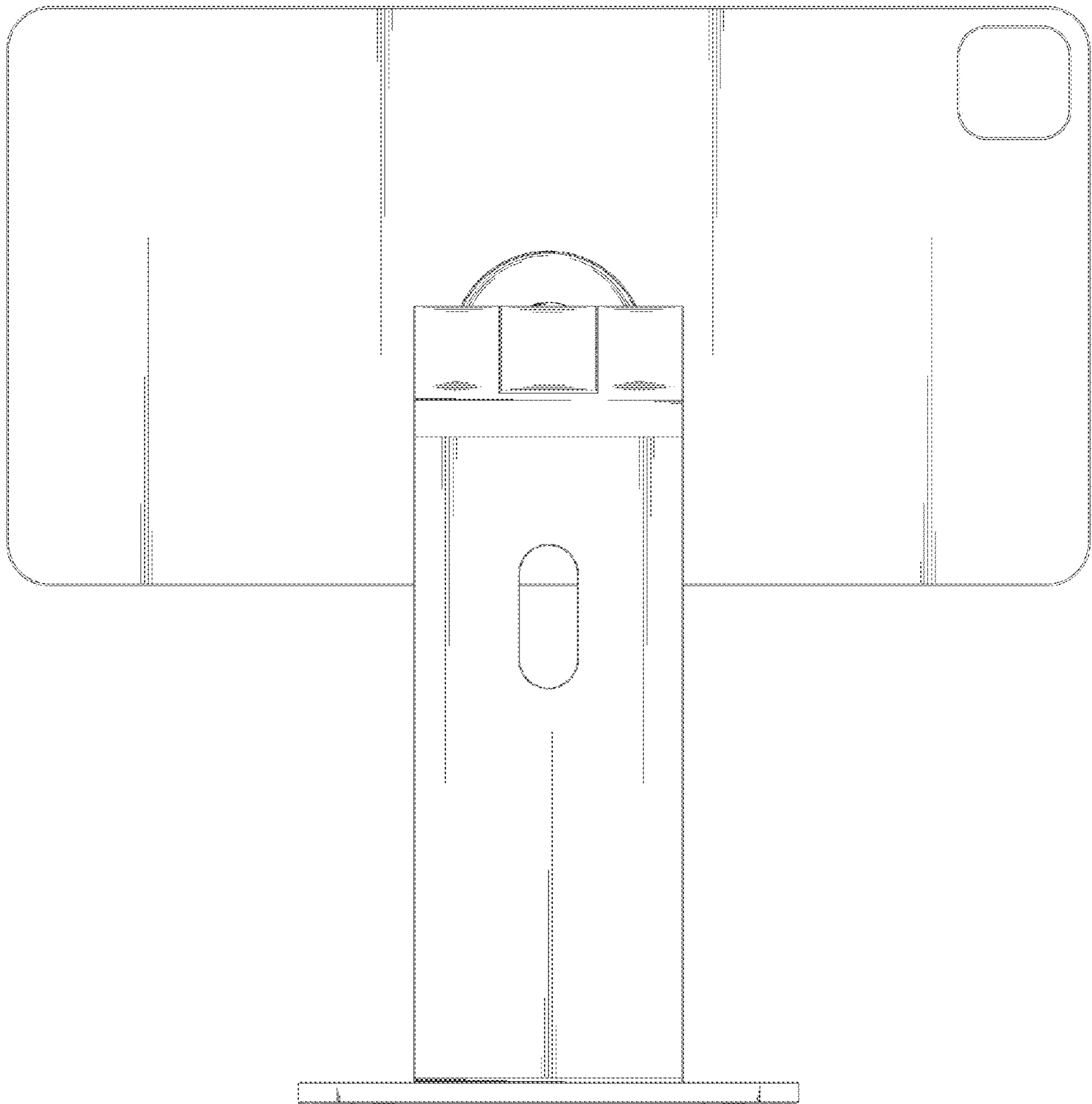


FIG. 3

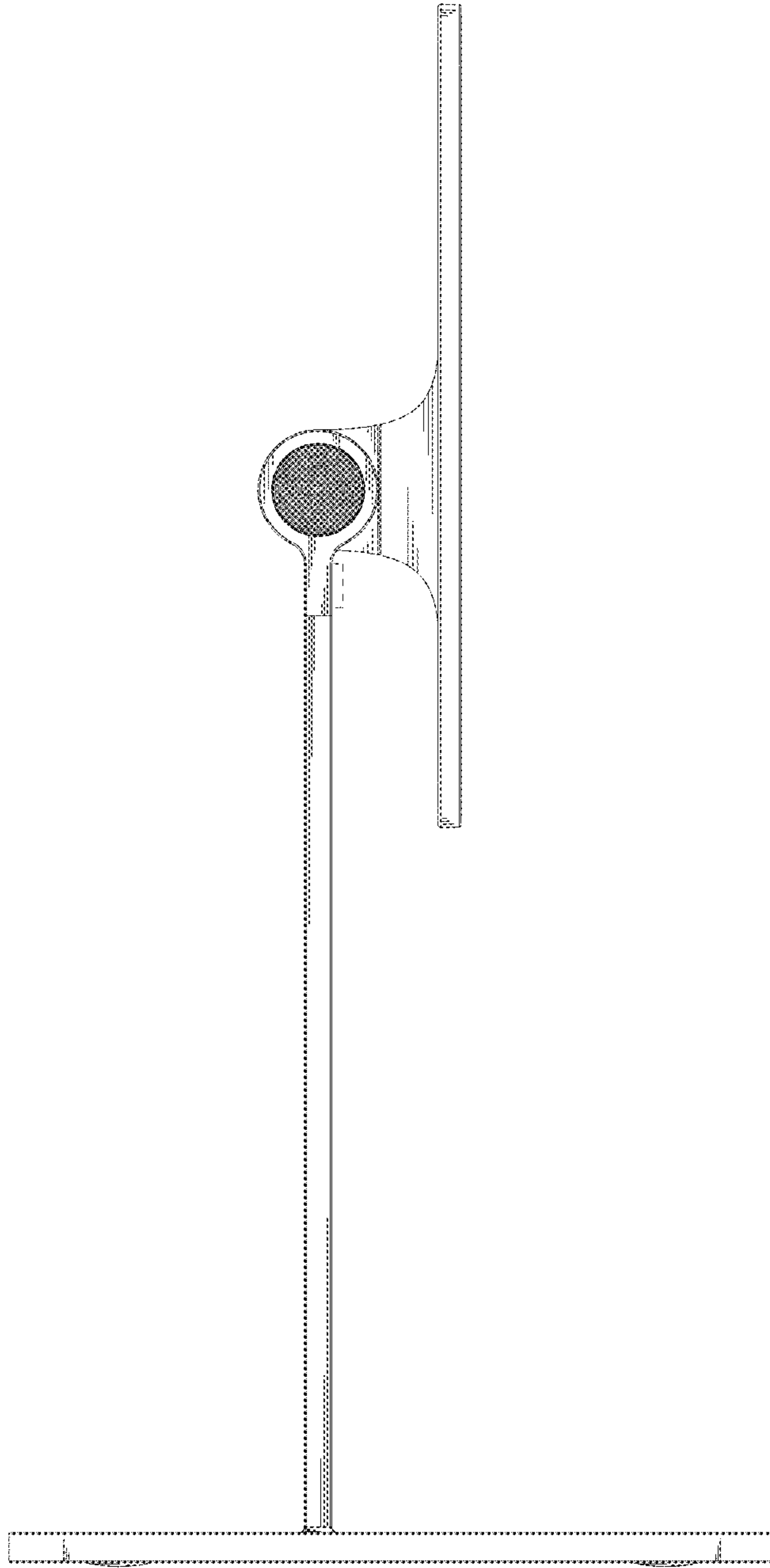


FIG. 4

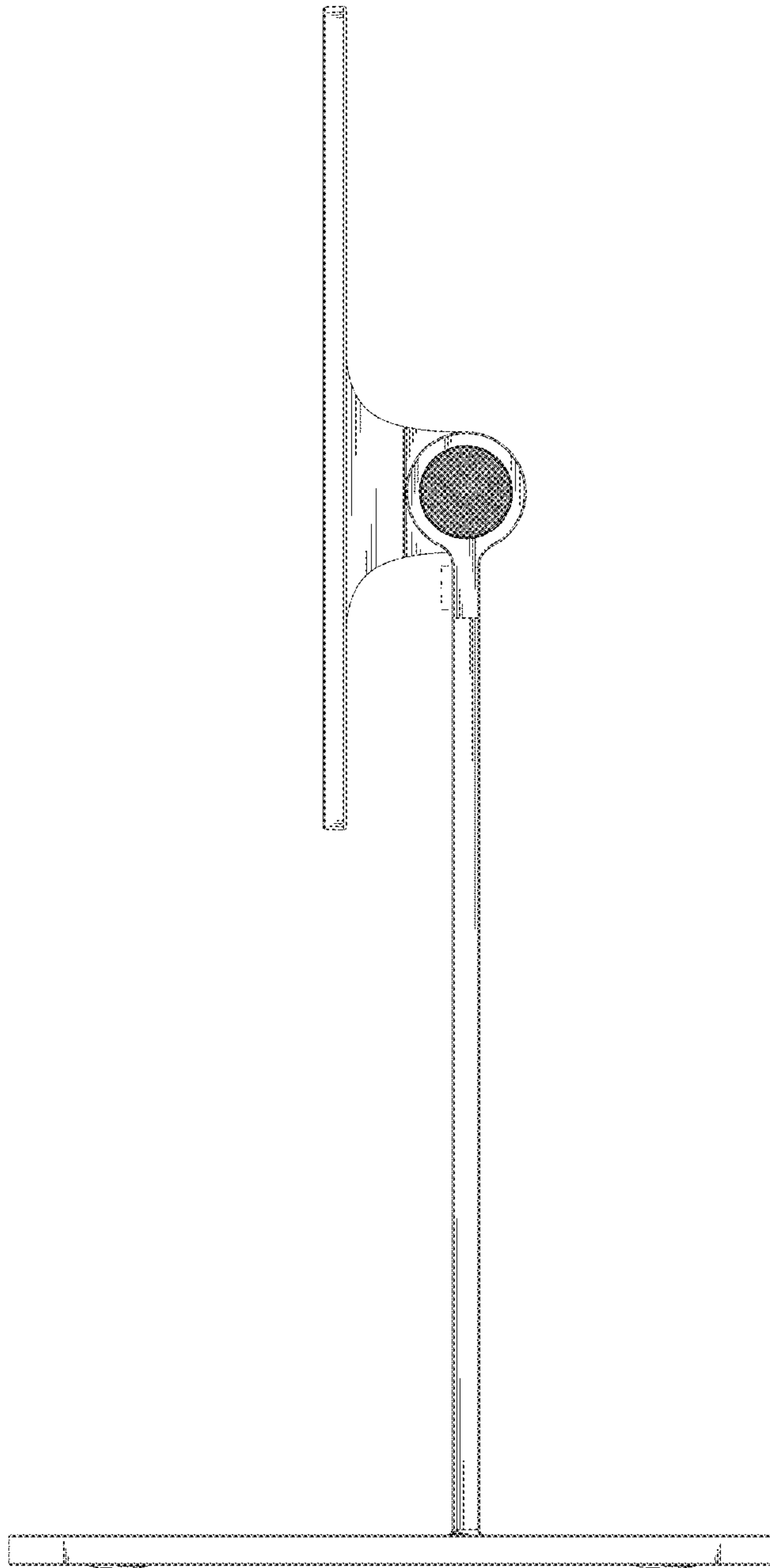


FIG. 5

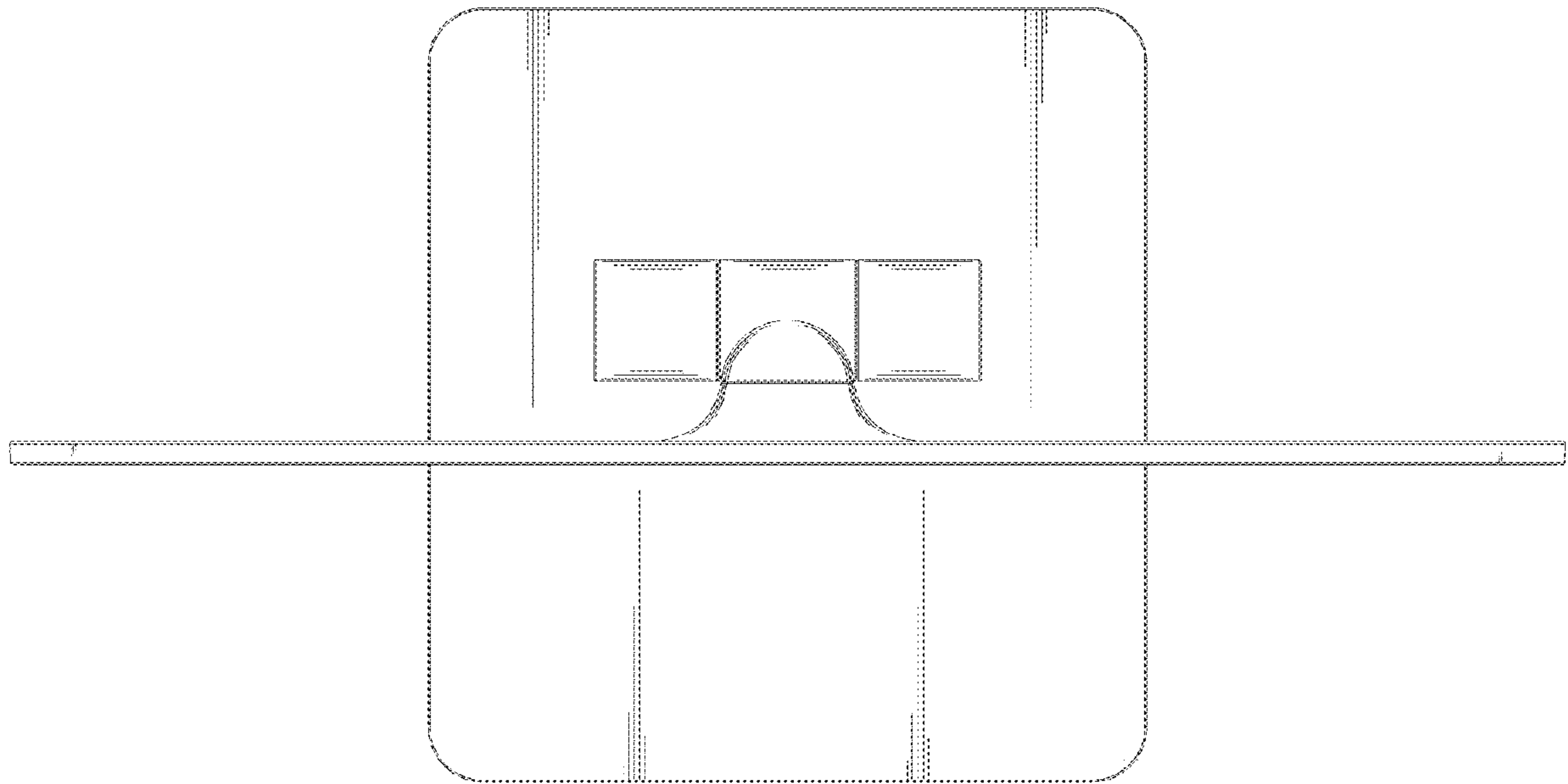


FIG. 6

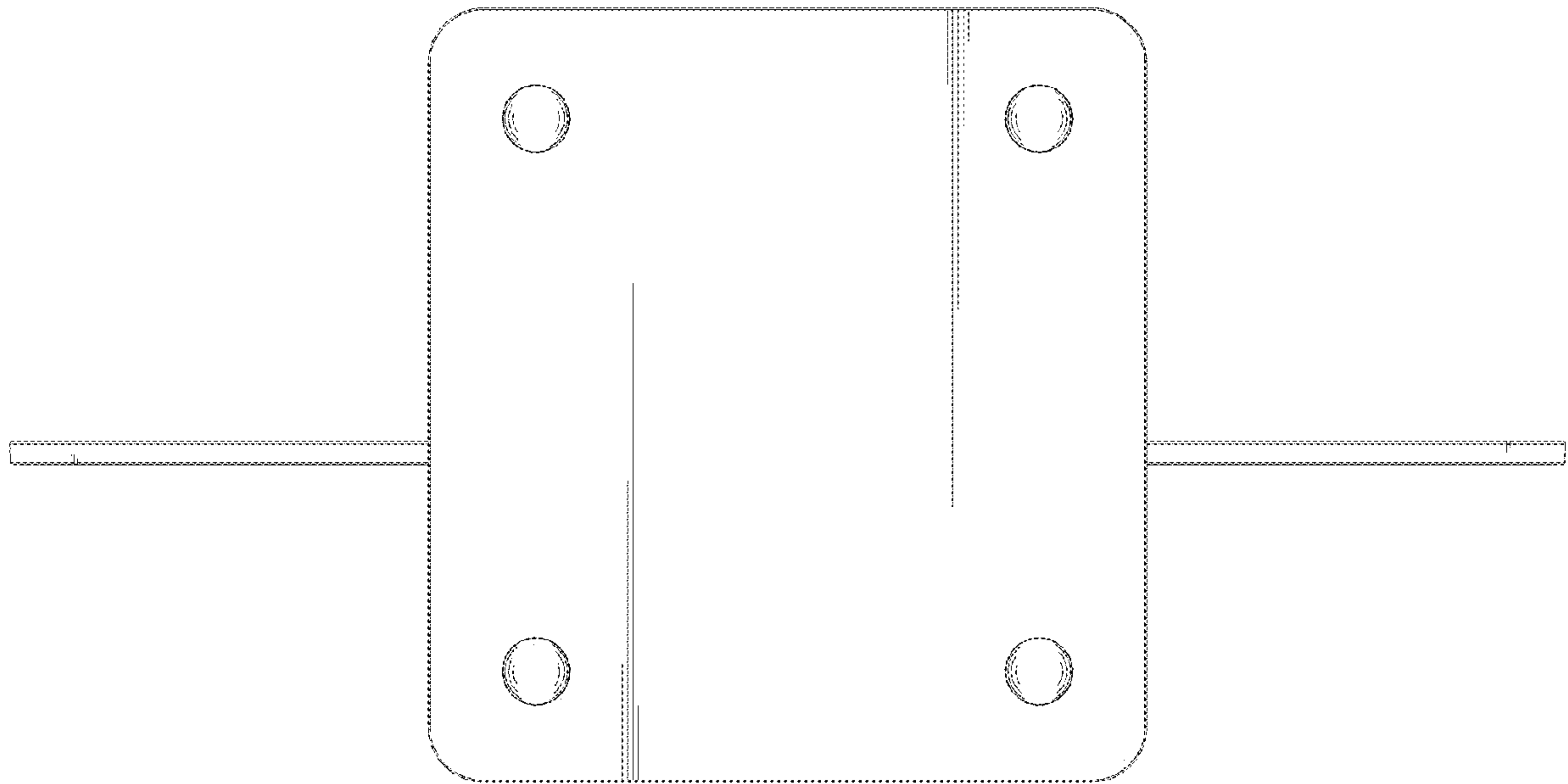


FIG. 7

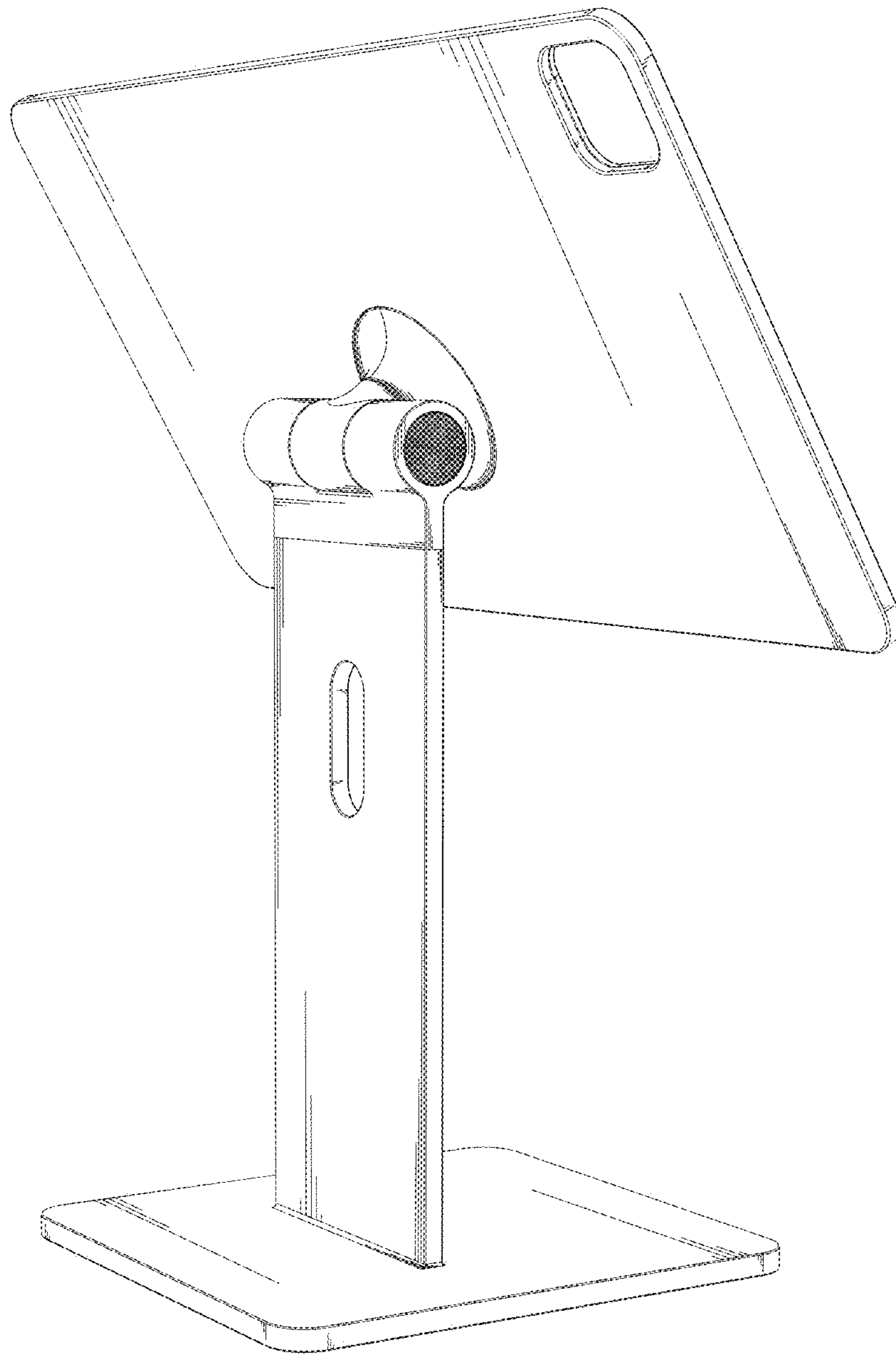


FIG. 8

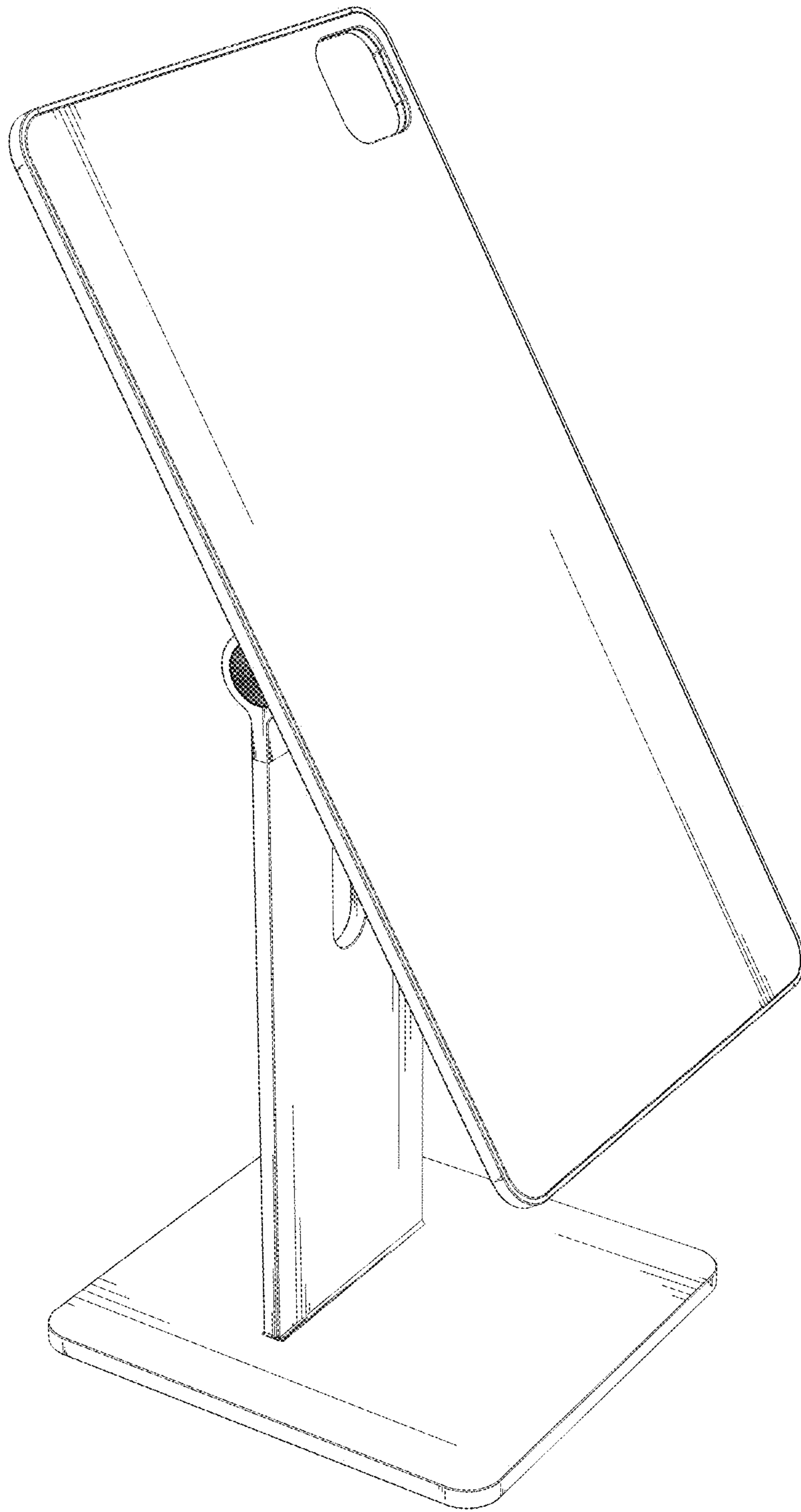


FIG. 9